



US00D727455S

(12) **United States Design Patent**
Ding et al.

(10) **Patent No.:** **US D727,455 S**
(45) **Date of Patent:** **** Apr. 21, 2015**

(54) **VERTICAL FOREGRIP WITH DEPLOYABLE BI-POD**

FOREIGN PATENT DOCUMENTS

(71) Applicant: **Leapers, Inc.**, Livonia, MI (US)

DE 202006001450 U1 6/2007

(72) Inventors: **Tai-Lai Ding**, Northville, MI (US);
Yuedong Yan, Novi, MI (US)

OTHER PUBLICATIONS

International Search Report for Application No. PCT/US2012/067047 dated Apr. 3, 2013.

(73) Assignee: **Leapers, Inc.**, Livonia, MI (US)

Primary Examiner — Michael A Pratt

(**) Term: **14 Years**

(74) *Attorney, Agent, or Firm* — Honigman Miller Schwartz and Cohn LLP

(21) Appl. No.: **29/456,207**

(57) **CLAIM**

(22) Filed: **May 29, 2013**

The ornamental design for a vertical foregrip with deployable bi-pod, as shown and described.

Related U.S. Application Data

DESCRIPTION

(63) Continuation of application No. 13/689,411, filed on Nov. 29, 2012.

(51) **LOC (10) Cl.** **22-01**

(52) **U.S. Cl.**
USPC **D22/108**

(58) **Field of Classification Search**
CPC F41C 23/04; F41A 23/08; F41A 23/04
USPC D22/108; 89/40.06, 41.19, 37.04,
89/33.04, 191.01, 200-204; 124/67, 66,
124/72, 74; 42/72
See application file for complete search history.

FIG. 1 is a front/right side view of the firearm foregrip with legs in the stowed position (the ghosted portions form no part of the claimed design).

FIG. 2 is a front elevational view of the firearm foregrip of FIG. 1.

FIG. 3 is a rear elevational view of the firearm foregrip of FIG. 1.

FIG. 4 is a left side elevational view of the firearm foregrip of FIG. 1.

FIG. 5 is a right side elevational view of the firearm foregrip of FIG. 1.

FIG. 6 is a front/right side view of the firearm foregrip of FIG. 1 with legs in the deployed position (the ghosted portions form no part of the claimed design).

FIG. 7 is a front elevational view of the firearm foregrip of FIG. 6.

FIG. 8 is a rear elevational view of the firearm foregrip of FIG. 6.

FIG. 9 is a left side elevational view of the firearm foregrip of FIG. 6; and,

FIG. 10 is a right side elevational view of the firearm foregrip of FIG. 6.

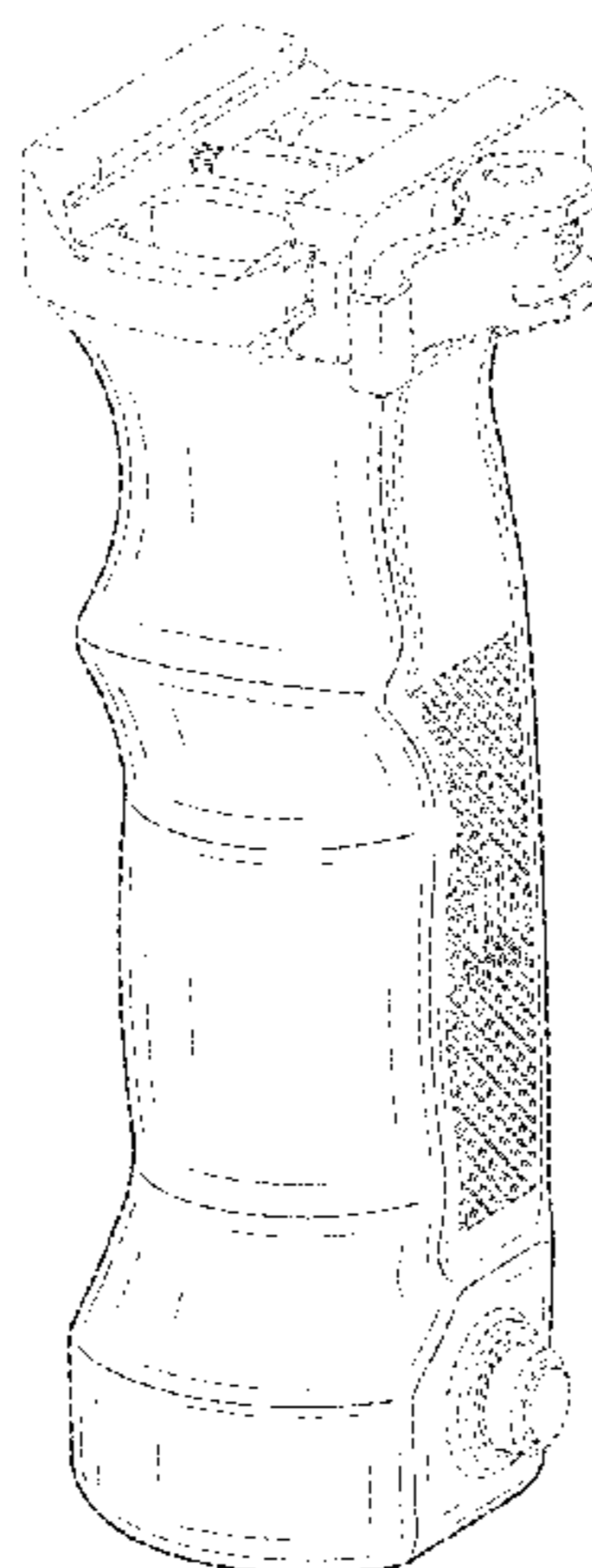
(56) **References Cited**

U.S. PATENT DOCUMENTS

2,870,683	A	1/1959	Wilson	
3,870,263	A	3/1975	Hardiman et al.	
5,029,407	A	7/1991	Kirkpatrick	
6,487,807	B1	12/2002	Kopman et al.	
7,111,424	B1 *	9/2006	Moody et al.	42/72
7,464,495	B2 *	12/2008	Cahill	42/72
7,698,847	B2 *	4/2010	Griffin	42/71.01
7,878,106	B2 *	2/2011	Hu	89/129.02

(Continued)

1 Claim, 7 Drawing Sheets



(56)

References Cited

U.S. PATENT DOCUMENTS

7,909,301 B2 *	3/2011	Faifer	248/440.1	8,176,669 B1 *	5/2012	Griffin	42/90
7,987,625 B1 *	8/2011	Moody et al.	42/94	8,225,543 B2 *	7/2012	Moody et al.	42/72
D644,707 S *	9/2011	Faifer	D22/108	8,516,731 B2 *	8/2013	Cabahug et al.	42/84
D660,934 S *	5/2012	Faifer	D22/108	2008/0052979 A1	3/2008	Lee et al.		
					2008/0134560 A1	6/2008	Pierce et al.		
					2009/0038200 A1	2/2009	Keng		

* cited by examiner

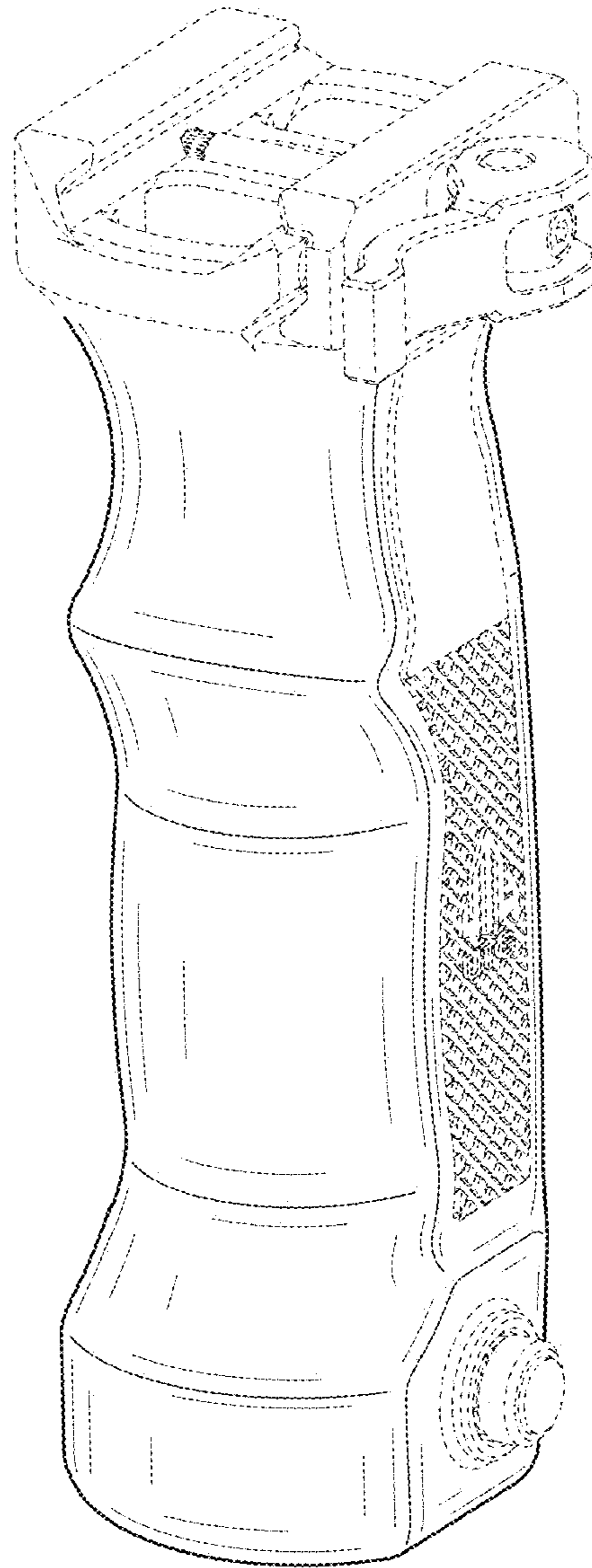


FIG. 1

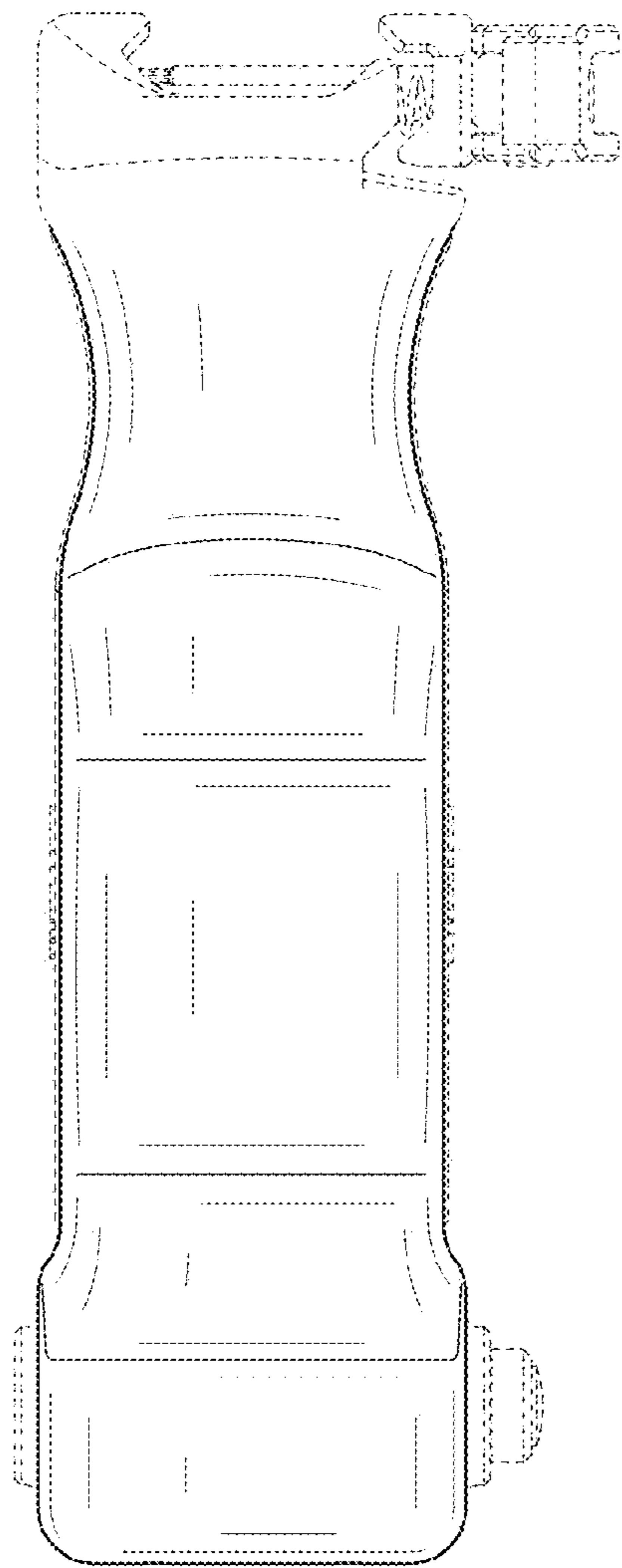


FIG. 2

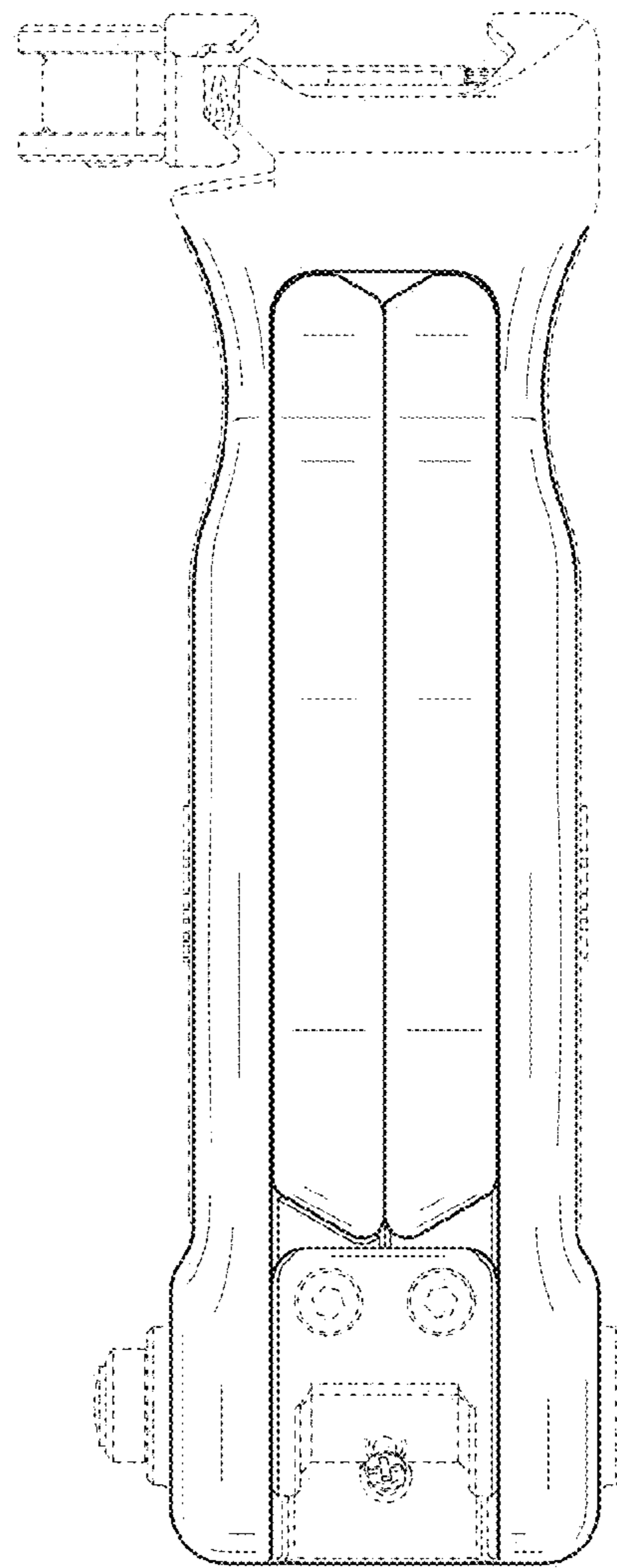


FIG. 3

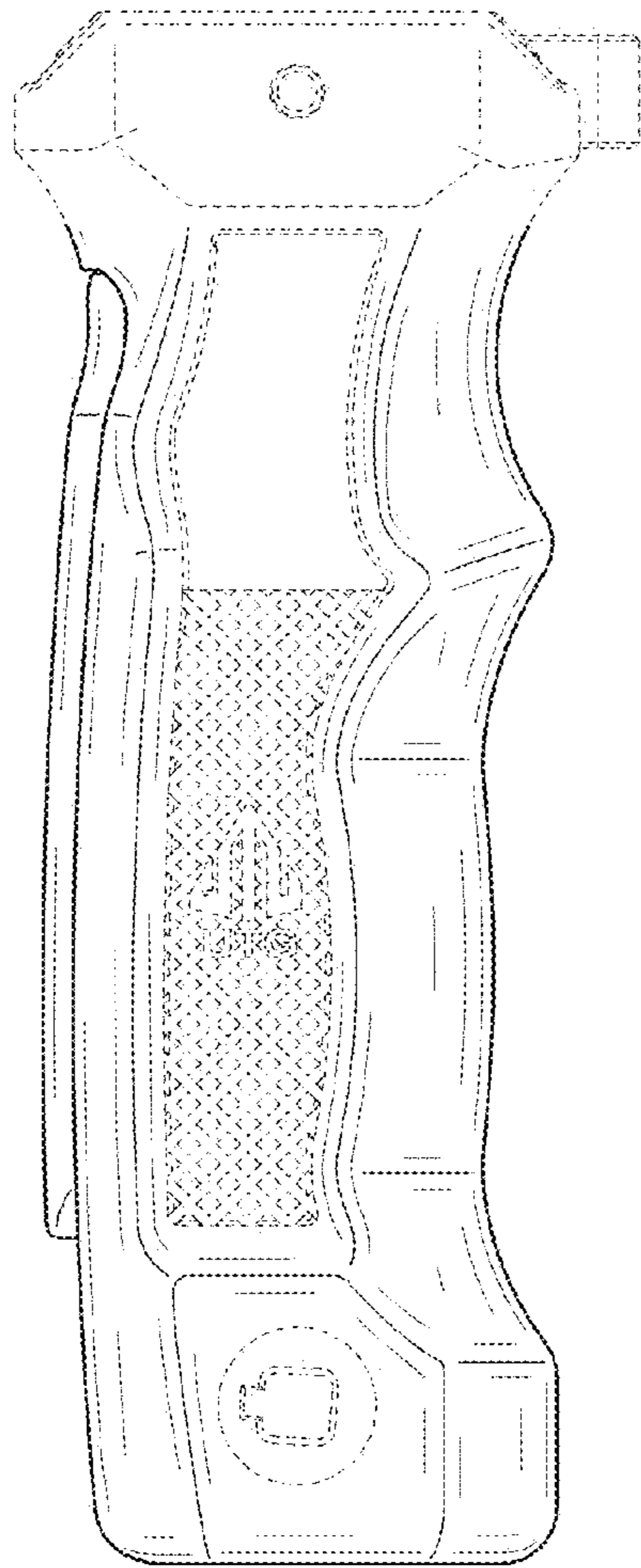


FIG. 4

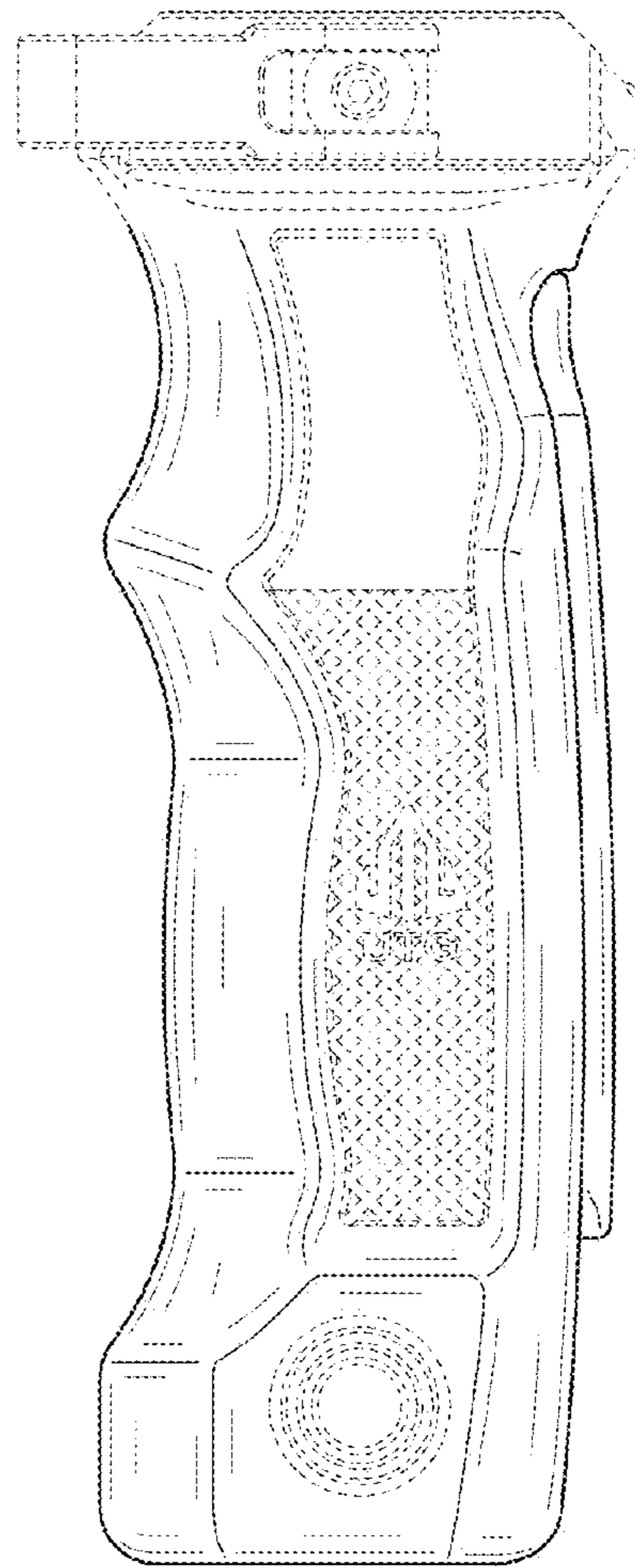


FIG. 5

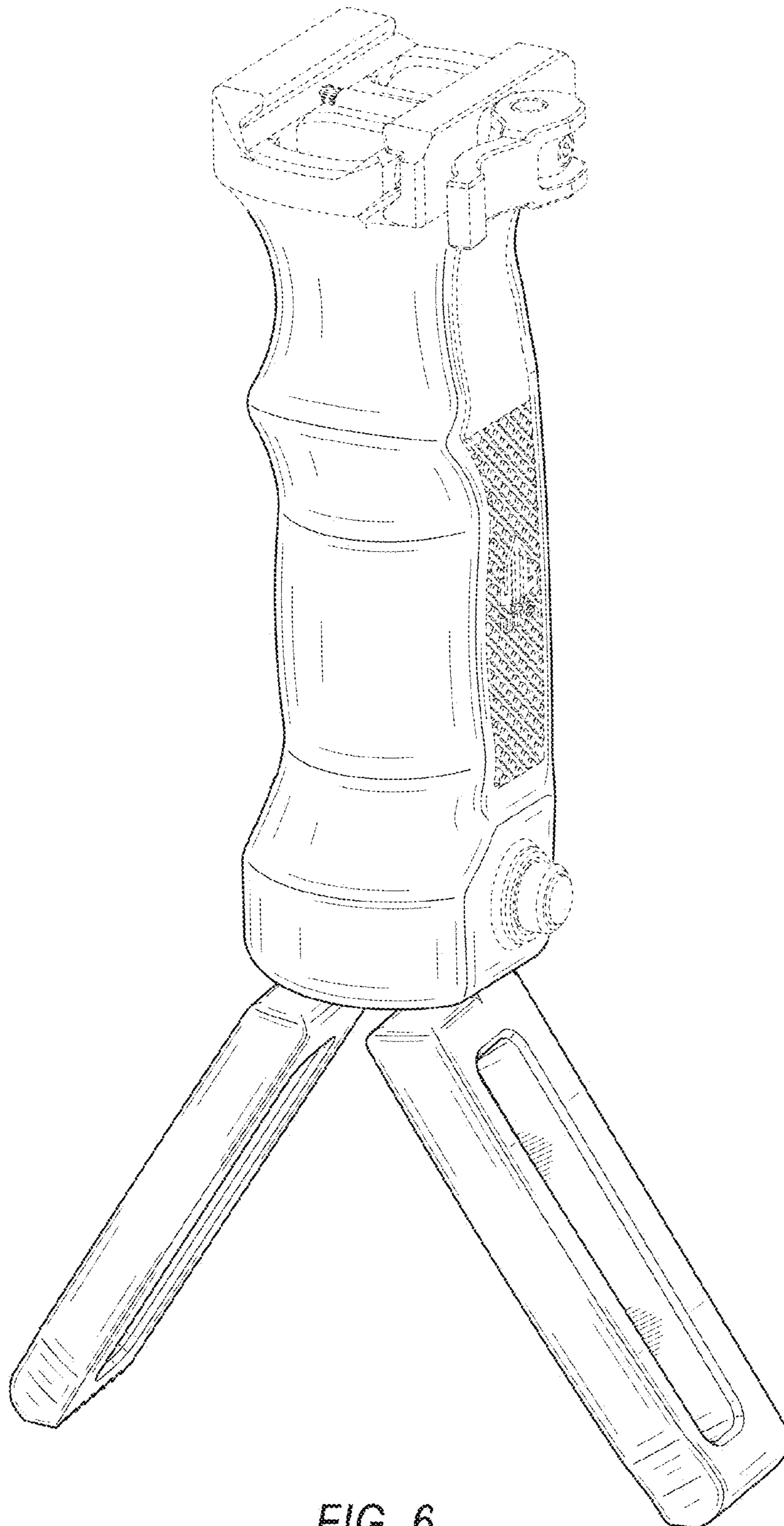


FIG. 6

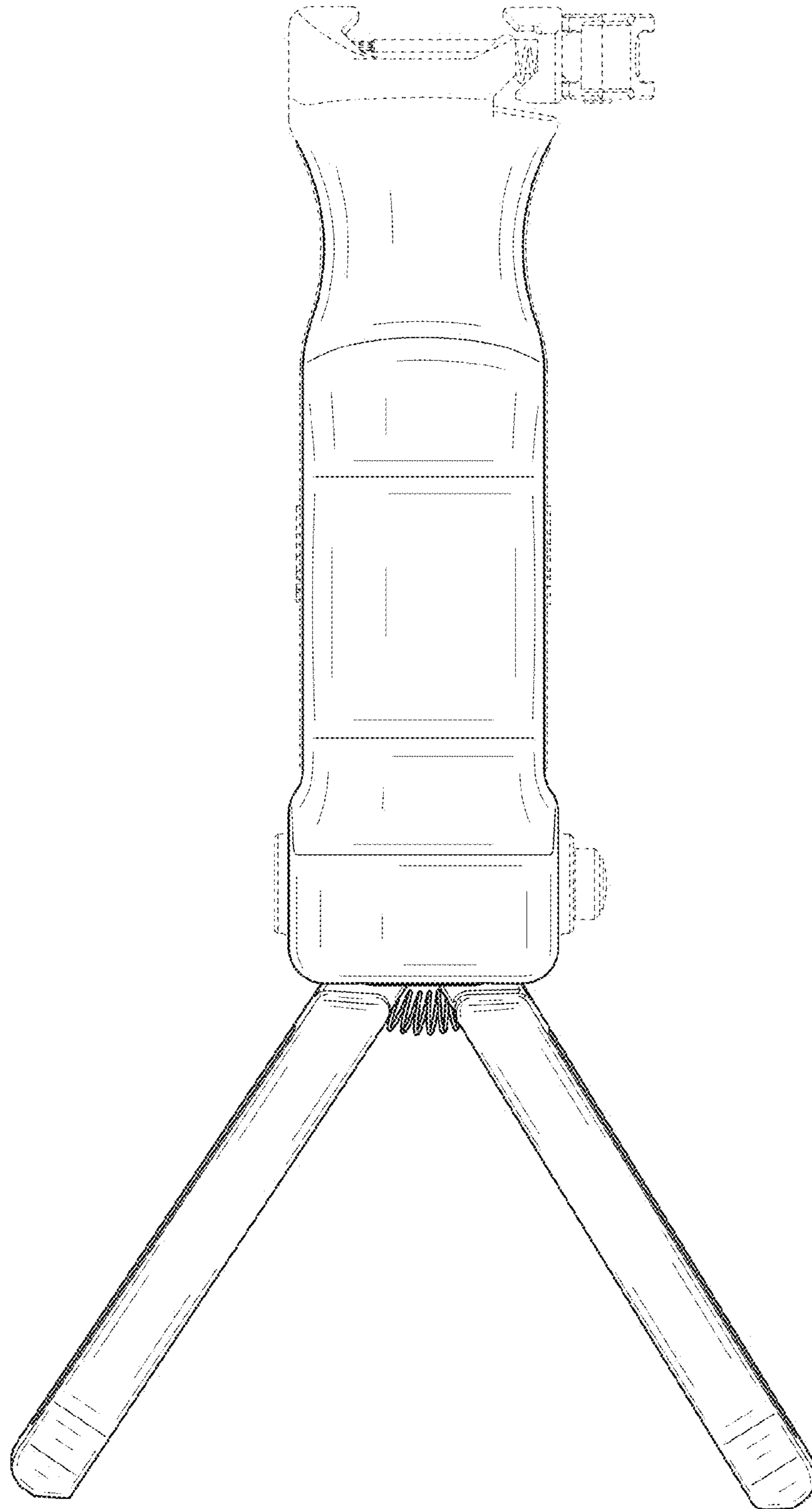


FIG. 7

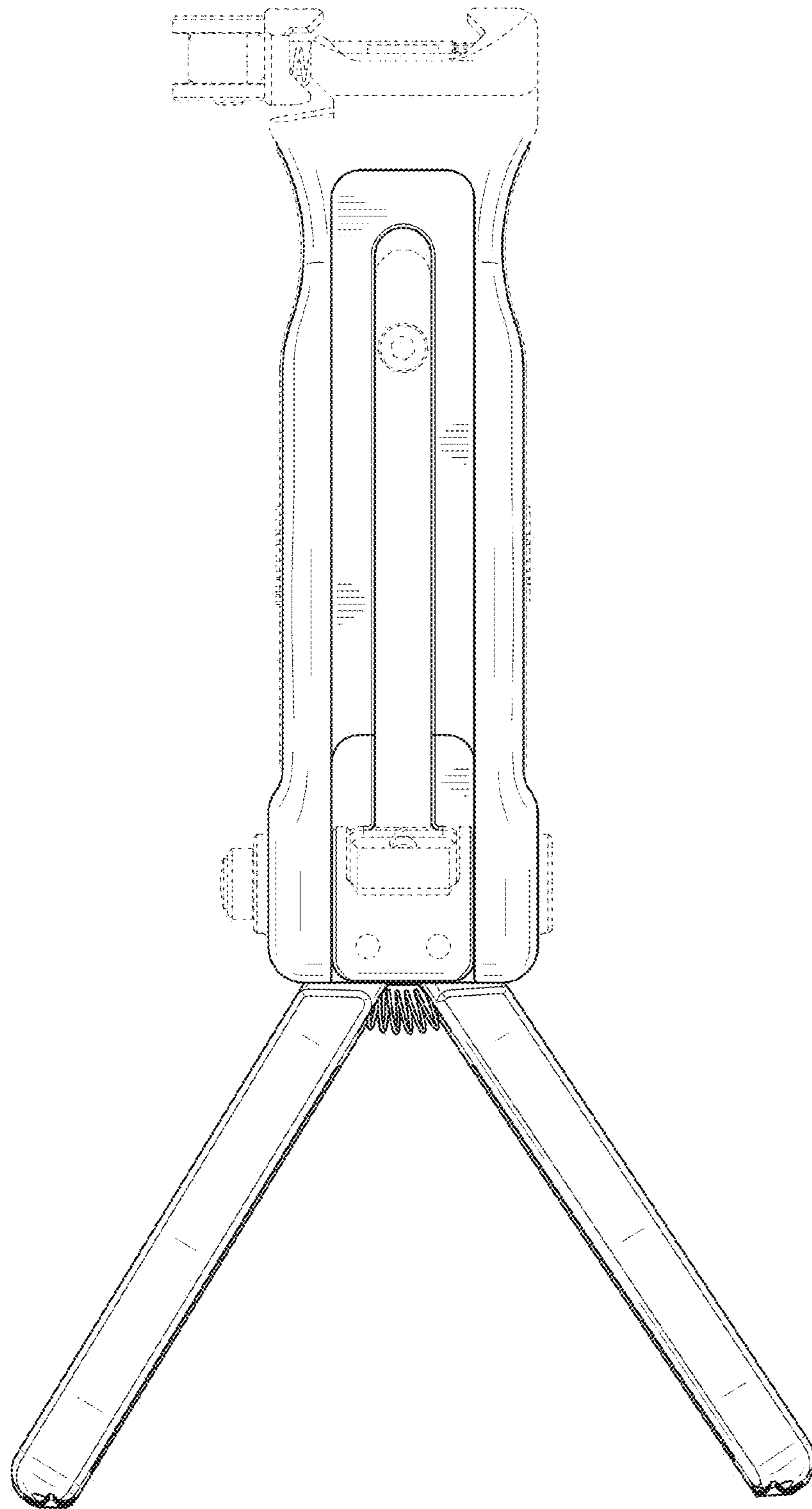


FIG. 8

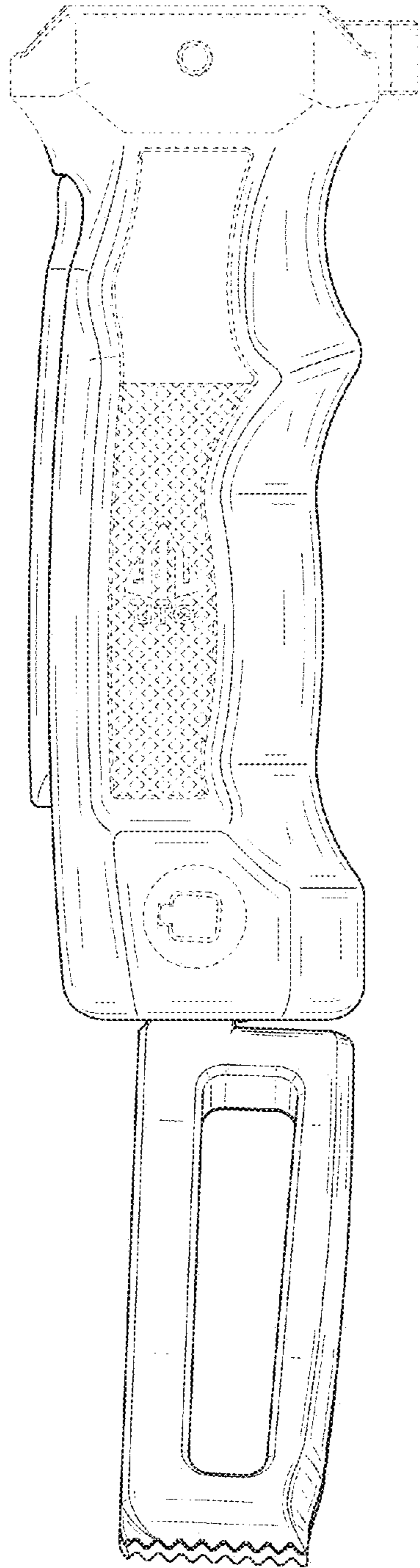


FIG. 9

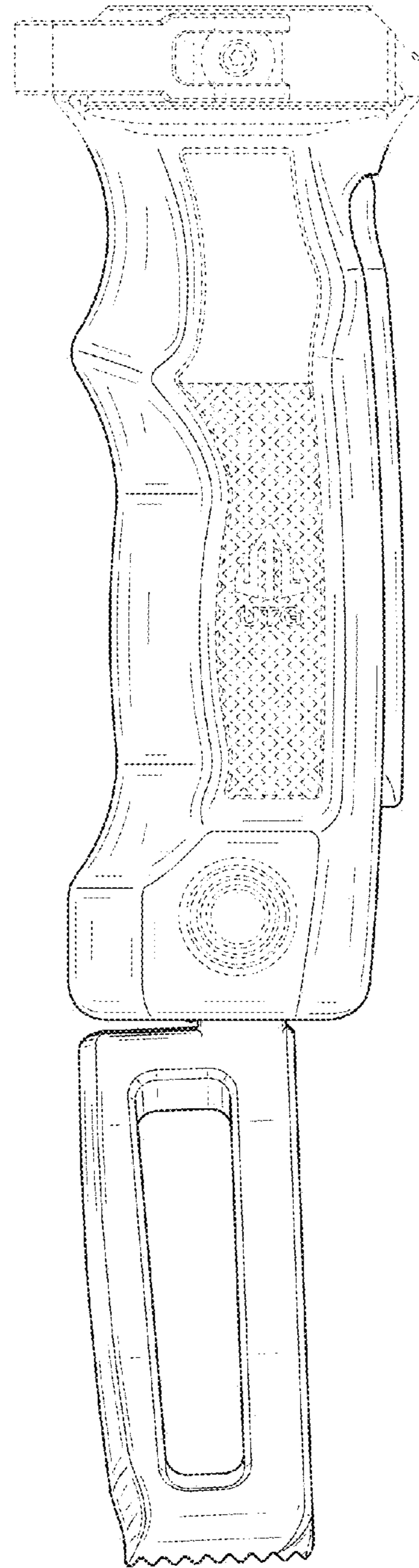


FIG. 10