



US00D727454S

(12) **United States Design Patent**
Robinson et al.

(10) **Patent No.:** **US D727,454 S**

(45) **Date of Patent:** **** Apr. 21, 2015**

(54) **LOWER RECEIVER FOR A FIREARM**

(71) Applicants: **Jeffrey A. Robinson**, Fort Collins, CO (US); **Jeremy A. Robinson**, Wellington, CO (US); **Justin F. Robinson**, Carr, CO (US); **Rock T. Adams**, Fort Collins, CO (US)

(72) Inventors: **Jeffrey A. Robinson**, Fort Collins, CO (US); **Jeremy A. Robinson**, Wellington, CO (US); **Justin F. Robinson**, Carr, CO (US); **Rock T. Adams**, Fort Collins, CO (US)

(**) Term: **14 Years**

(21) Appl. No.: **29/454,600**

(22) Filed: **May 13, 2013**

(51) **LOC (10) Cl.** **22-01**

(52) **U.S. Cl.**
USPC **D22/108**

(58) **Field of Classification Search**
USPC D22/108; 89/40.06, 41.19, 37.04,
89/33.04, 191.01, 200-204; 42/71.01;
124/66, 67, 72, 74
See application file for complete search history.

(56) **References Cited**

U.S. PATENT DOCUMENTS

7,428,795 B2 * 9/2008 Herring 42/75.01
D600,771 S * 9/2009 Fitzpatrick et al. D22/108

8,261,652 B2 * 9/2012 Findlay 89/181
8,590,201 B2 * 11/2013 Brixius 42/71.01
2013/0227869 A1 * 9/2013 Thordsen 42/6

* cited by examiner

Primary Examiner — Michael A Pratt

(57) **CLAIM**

We claim the ornamental design for a lower receiver for a firearm, as shown and described.

DESCRIPTION

FIG. 1 is front perspective view of a lower receiver for a firearm;

FIG. 2 is a rear perspective view of the lower receiver of FIG. 1;

FIG. 3 is a left side view of the lower receiver of FIG. 1;

FIG. 4 is a right side view of the lower receiver of FIG. 1;

FIG. 5 is a rear view of the lower receiver of FIG. 1;

FIG. 6 is a front view of the lower receiver of FIG. 1;

FIG. 7 is a top view of the lower receiver of FIG. 1;

FIG. 8 is a bottom view of the lower receiver of FIG. 1;

FIG. 9 is a front perspective view of a left half of the lower receiver of FIG. 1;

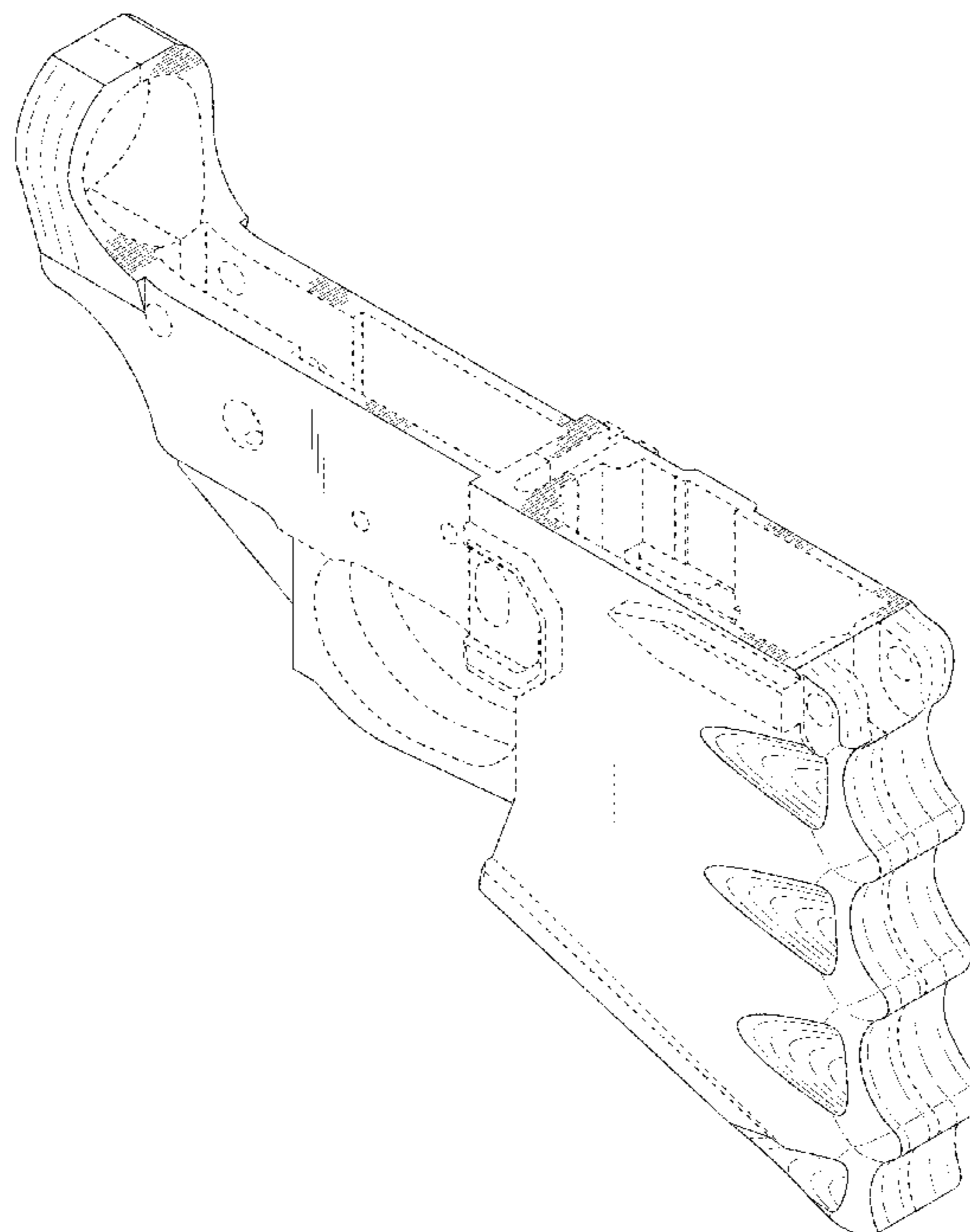
FIG. 10 is a rear perspective view of a left half of the lower receiver of FIG. 1;

FIG. 11 is a front perspective view of a right half of the lower receiver of FIG. 1; and,

FIG. 12 is a rear perspective view of a right half of the lower receiver of FIG. 1.

The broken lines shown in the figures are for illustrative purposes only and form no part of the claimed design.

1 Claim, 10 Drawing Sheets



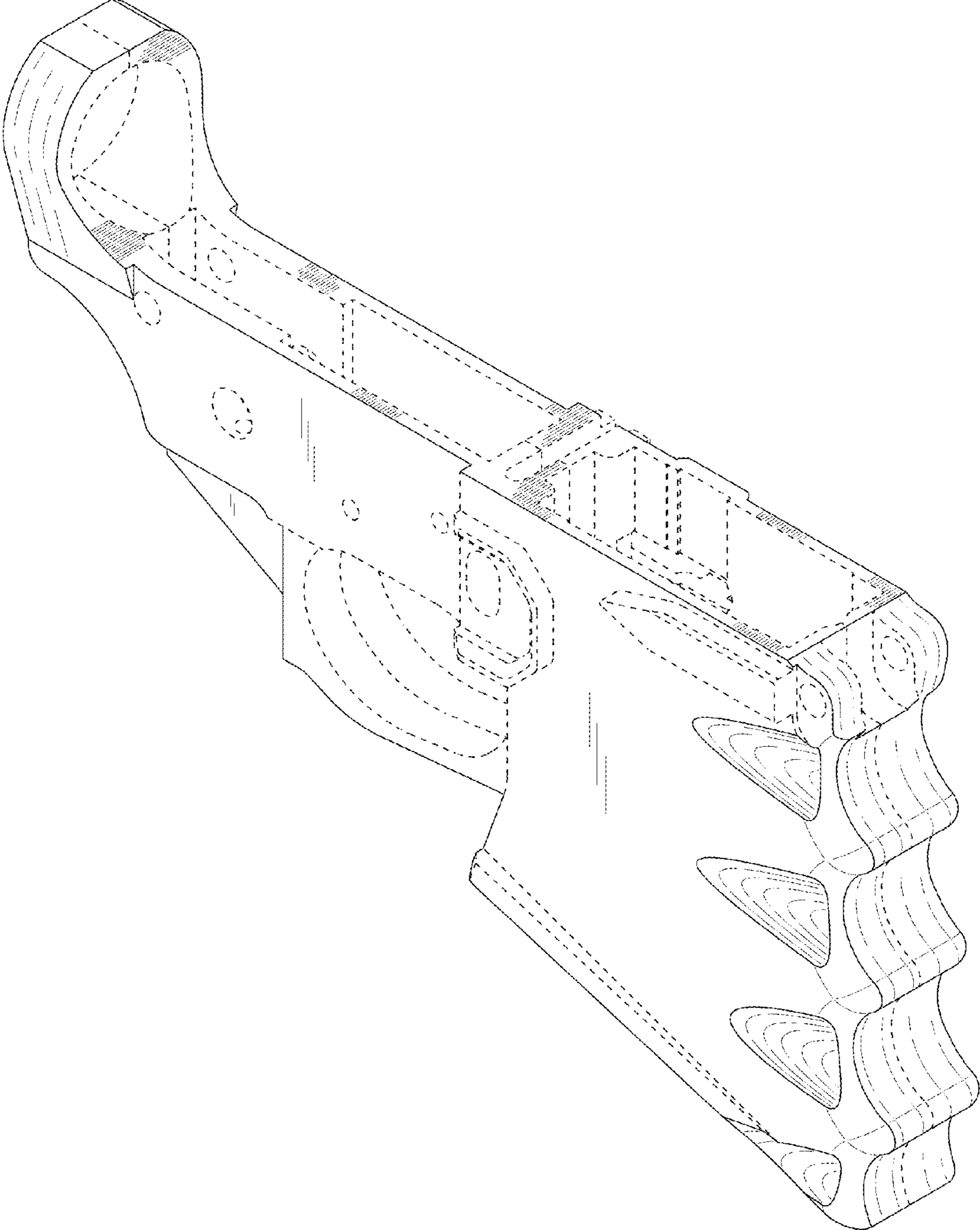


FIG. 1

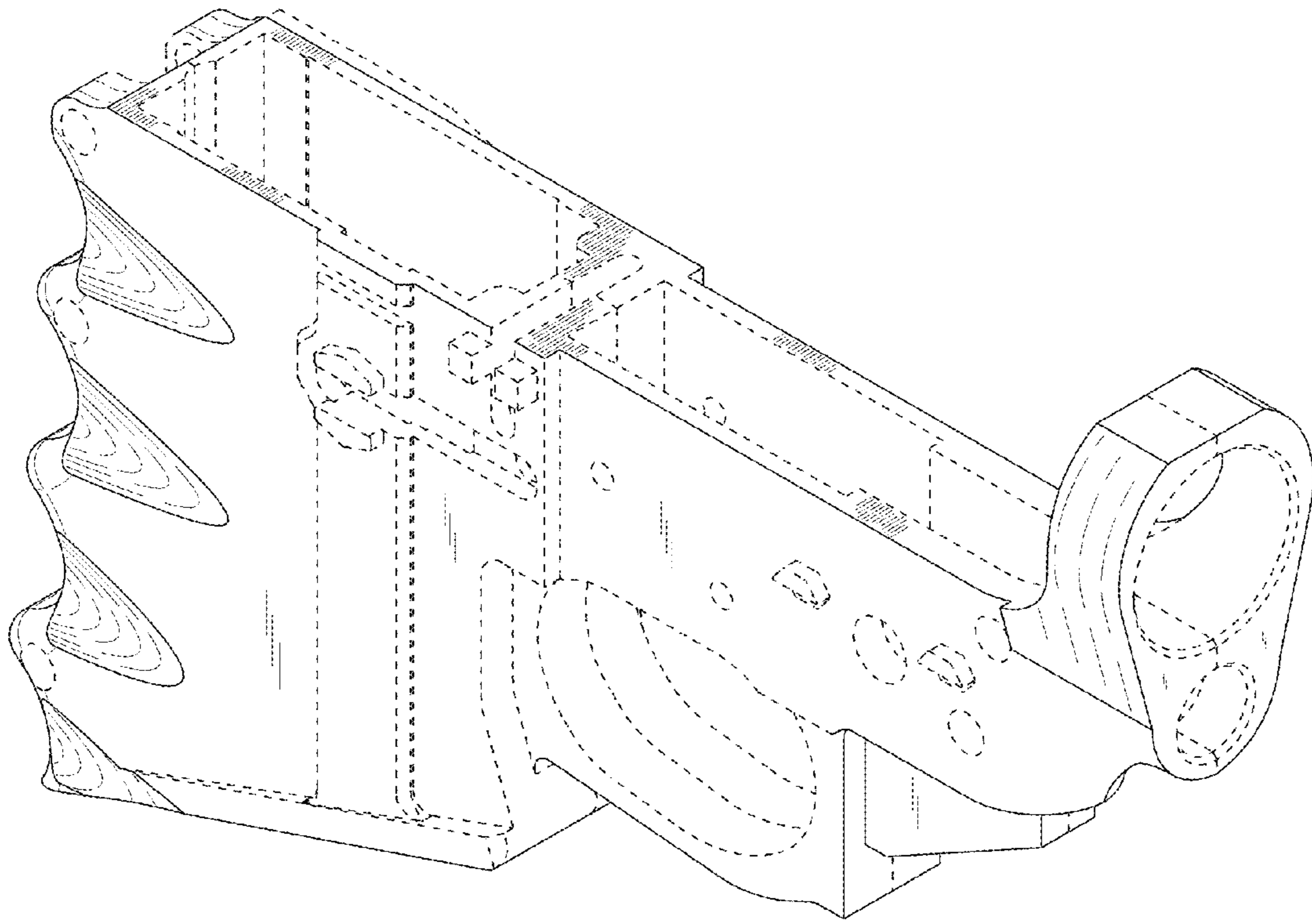


FIG. 2

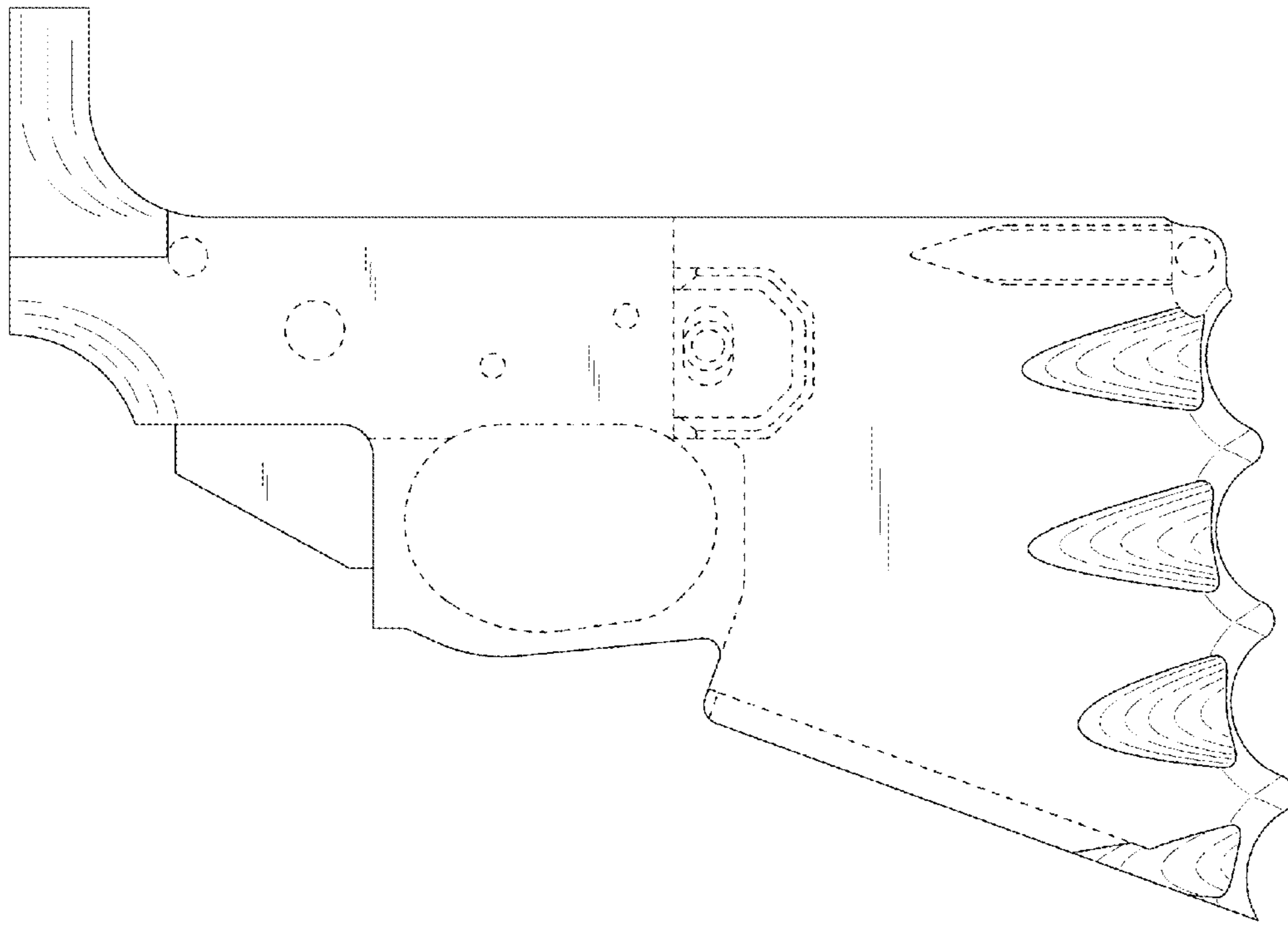


FIG. 3

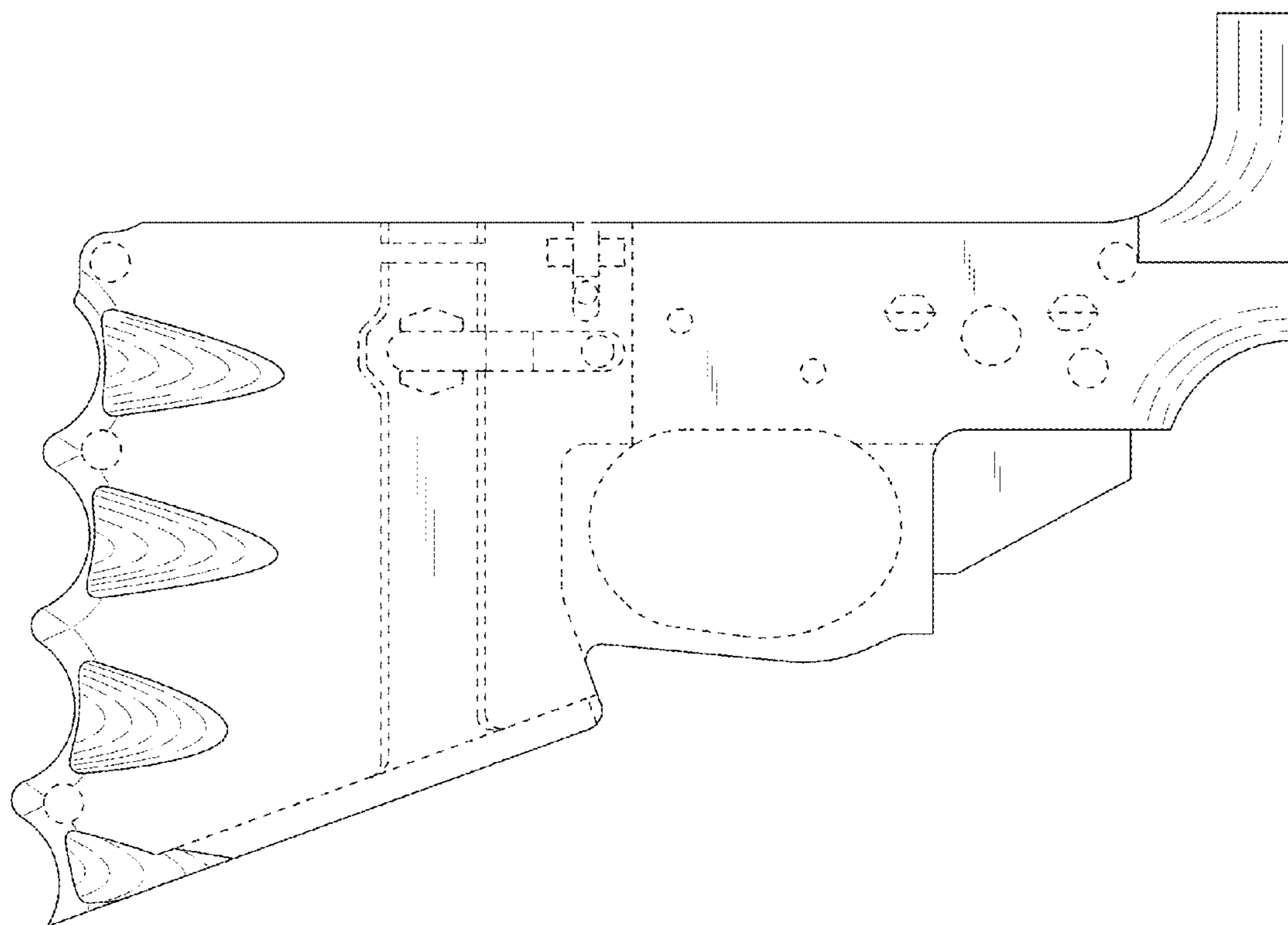


FIG. 4

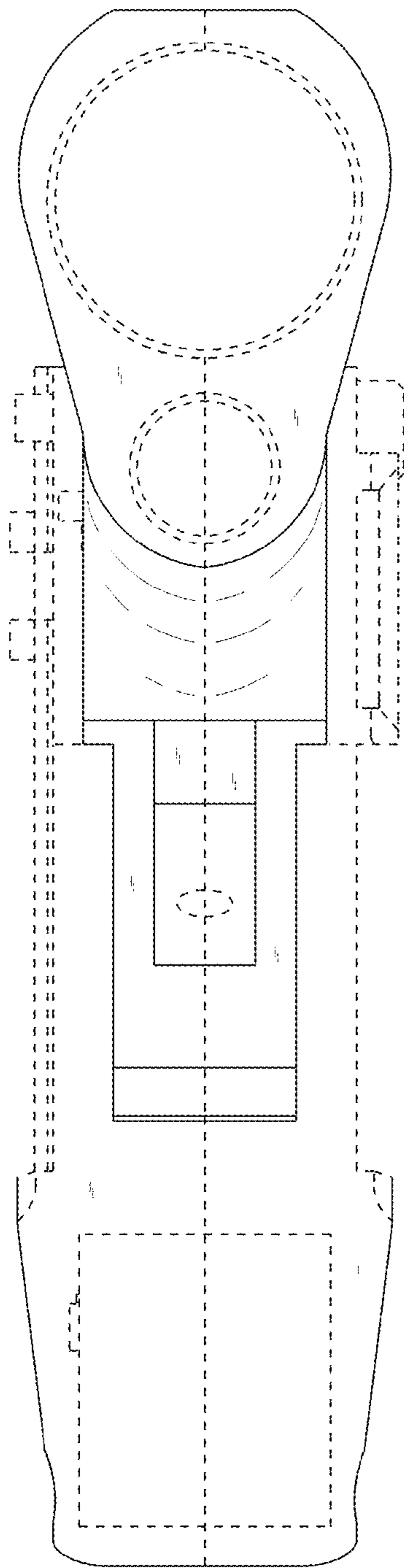


FIG. 5

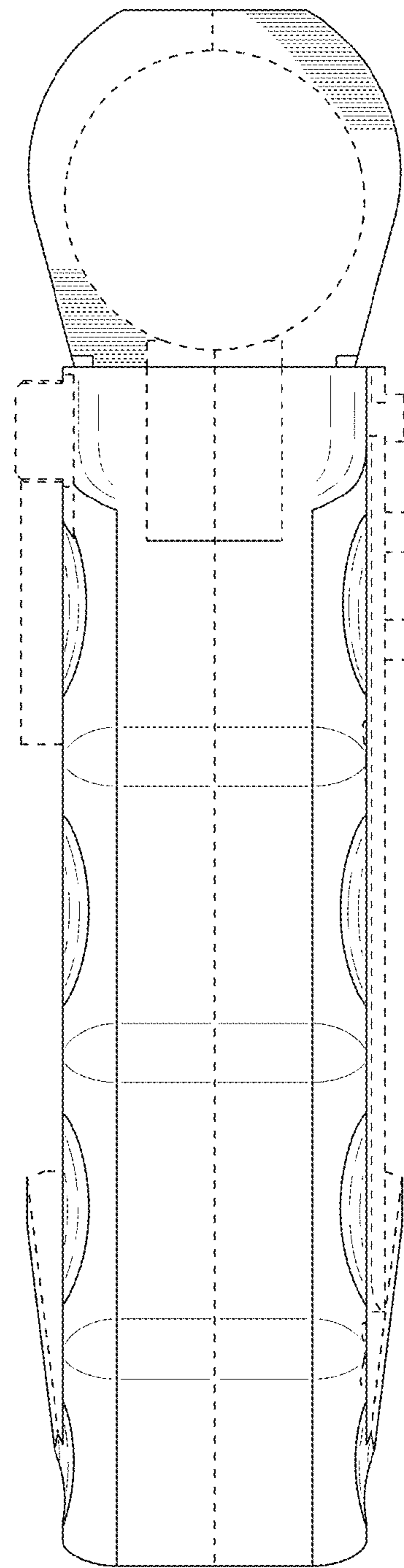


FIG. 6

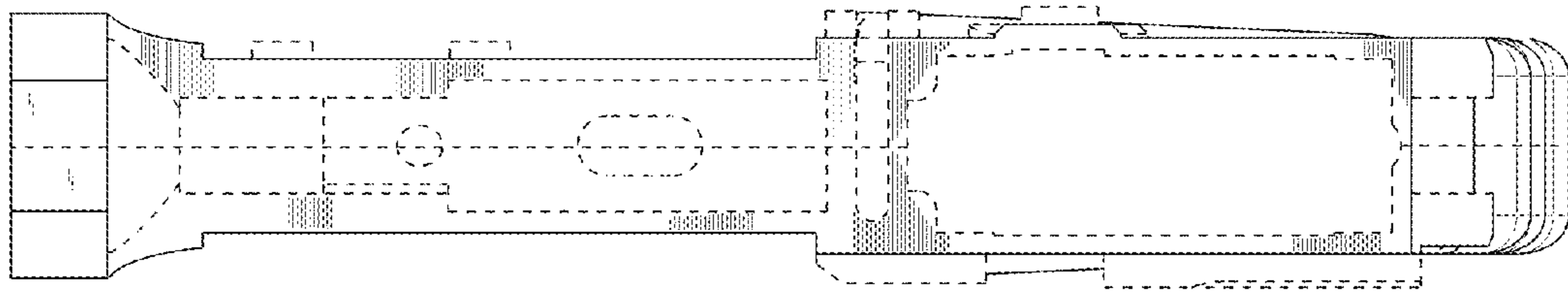


FIG. 7

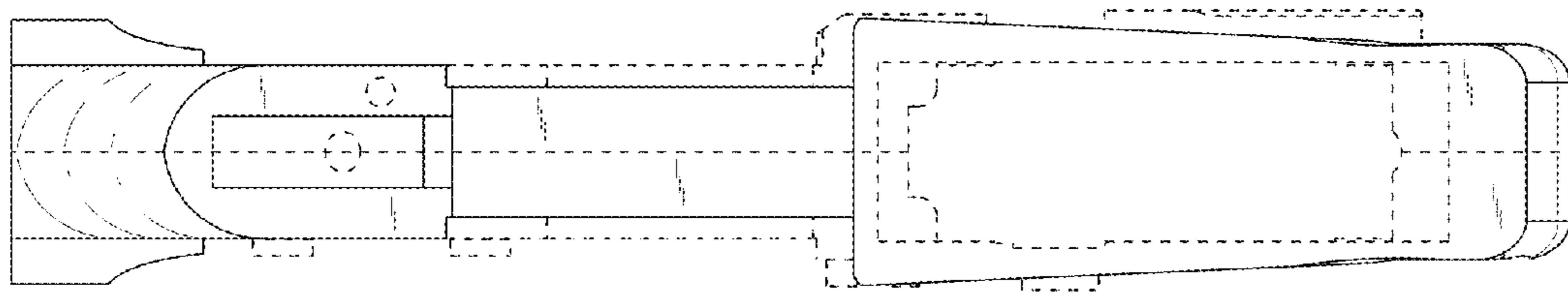


FIG. 8

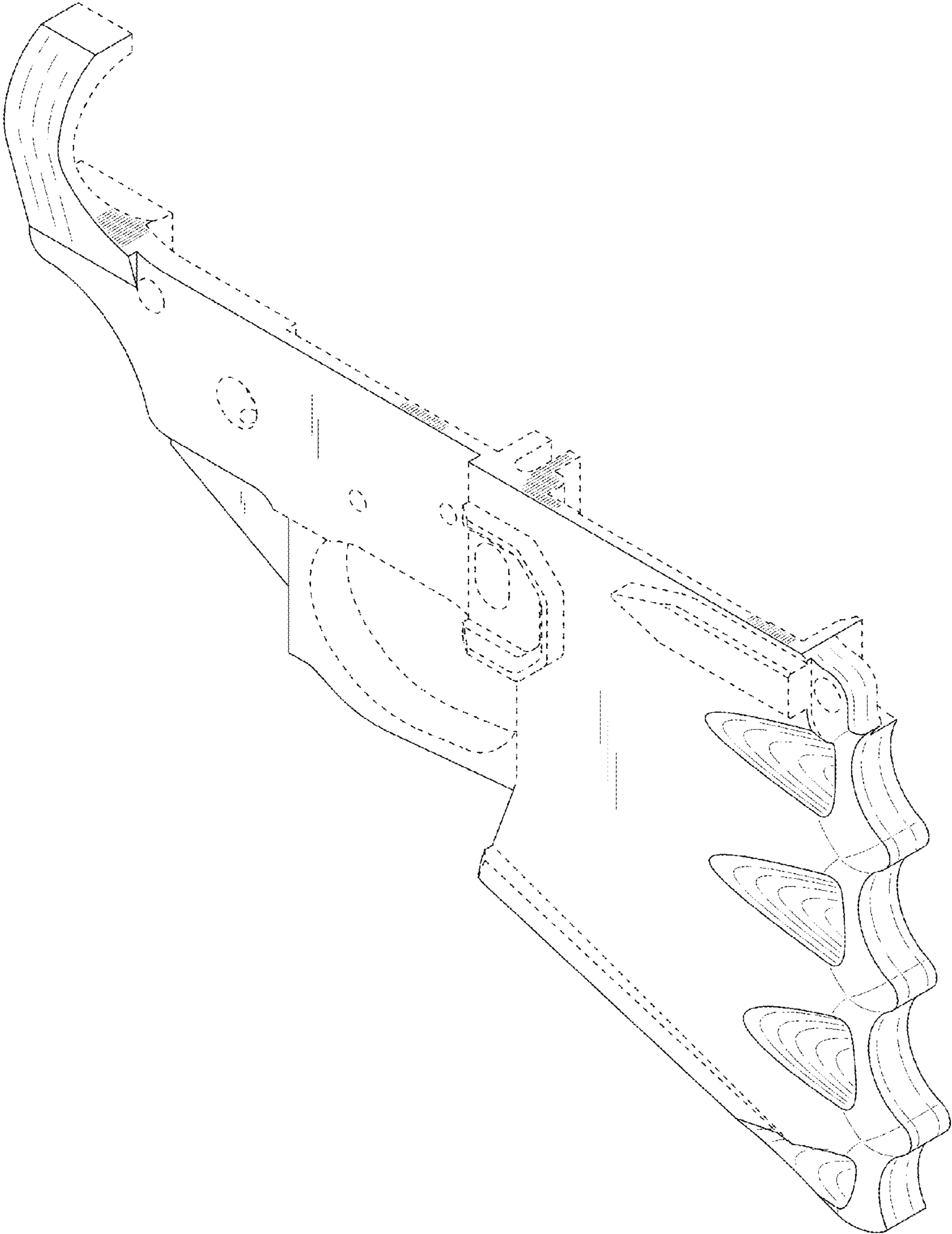


FIG. 9

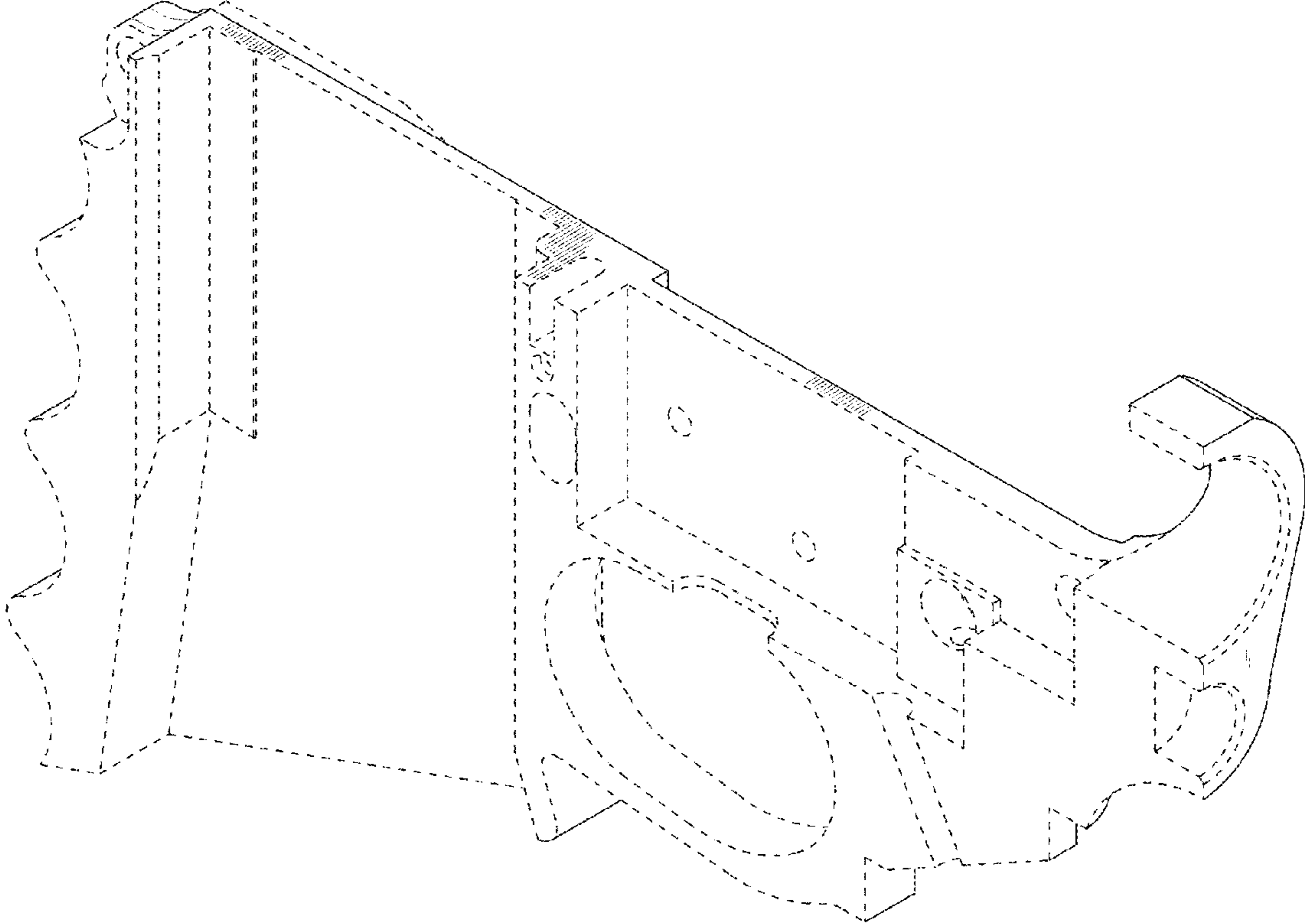


FIG. 10

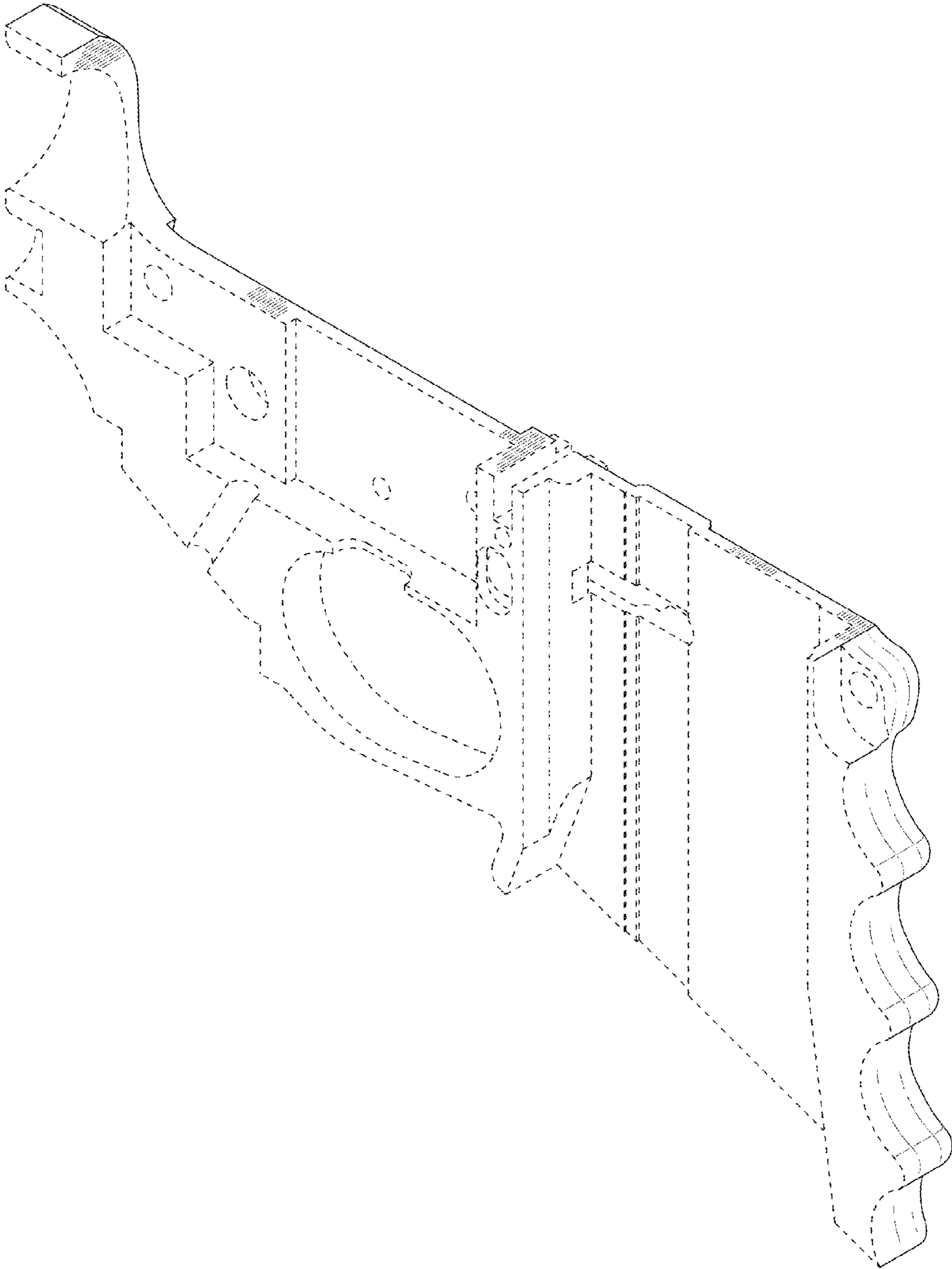


FIG. 11

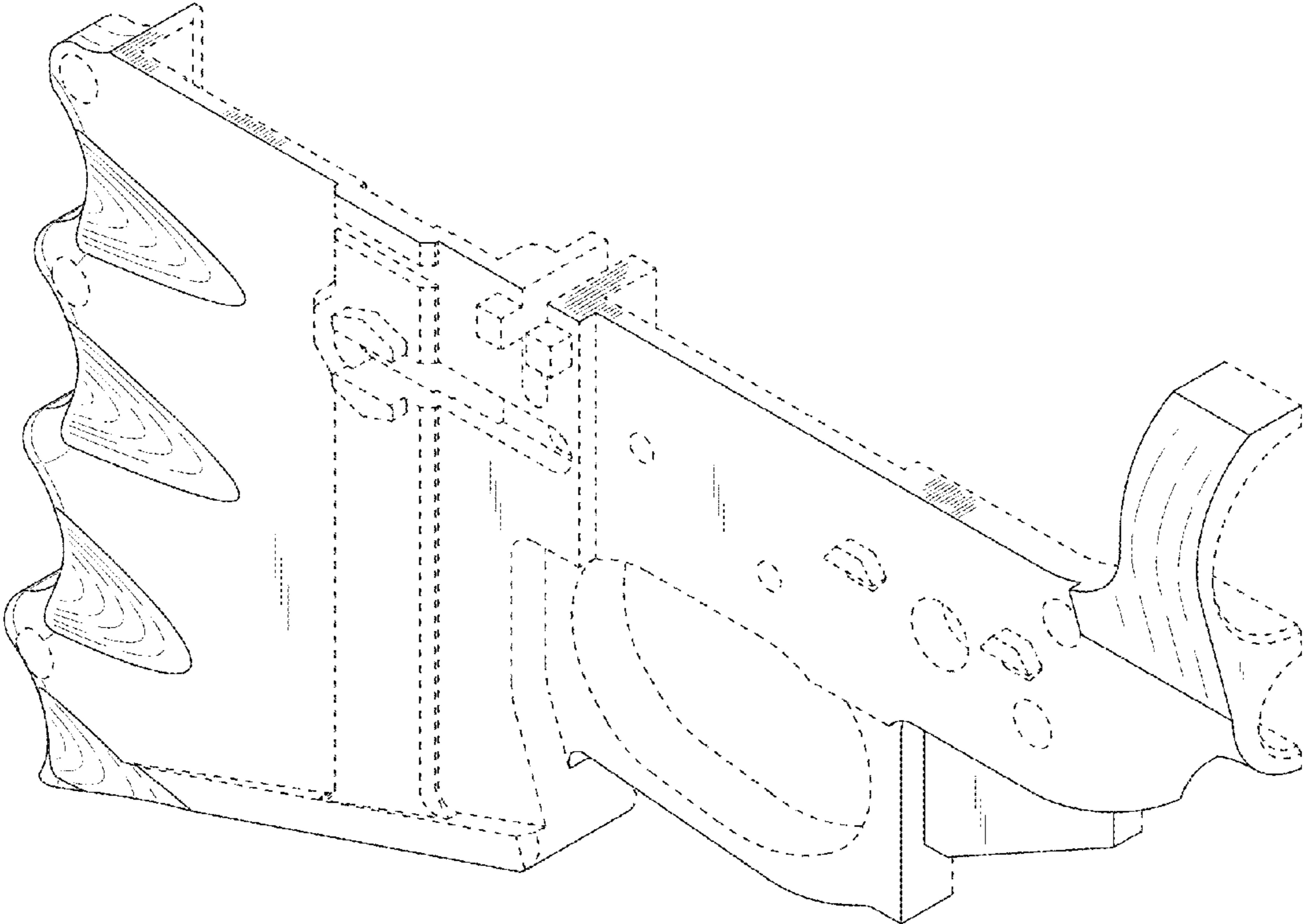


FIG. 12