



US00D727453S

(12) **United States Design Patent**
Griffith

(10) **Patent No.:** **US D727,453 S**

(45) **Date of Patent:** **** Apr. 21, 2015**

(54) **ARROW SLIDER**

(71) Applicant: **Larry Griffith**, Lake City, MI (US)

(72) Inventor: **Larry Griffith**, Lake City, MI (US)

(73) Assignee: **Bohning Company, Ltd**, Lake City, MI (US)

(**) Term: **14 Years**

(21) Appl. No.: **29/464,760**

(22) Filed: **Aug. 20, 2013**

(51) **LOC (10) Cl.** **22-01**

(52) **U.S. Cl.**
USPC **D22/107**

(58) **Field of Classification Search**

CPC F41B 5/01; F41B 5/06; F41B 5/10;
F41B 5/12; F41B 5/14; F41B 5/0026; F41B
5/0031; F41B 5/0052; F41B 5/073; F41B
5/078

USPC D22/107, 115; 403/349; 473/582, 578;
124/44.5

See application file for complete search history.

(56) **References Cited**

U.S. PATENT DOCUMENTS

5,273,293	A *	12/1993	Lekavich	473/578
6,129,642	A *	10/2000	DonTigny	473/578
6,595,880	B2 *	7/2003	Becker	473/578
6,877,500	B1 *	4/2005	Hollars et al.	124/24.1
8,784,242	B2 *	7/2014	Gendregske	473/581
2009/0183721	A1 *	7/2009	Sabi	124/44.5

* cited by examiner

Primary Examiner — Michael A Pratt

(74) *Attorney, Agent, or Firm* — Smith Risley Tempel Santos LLC; Gregory Scott Smith

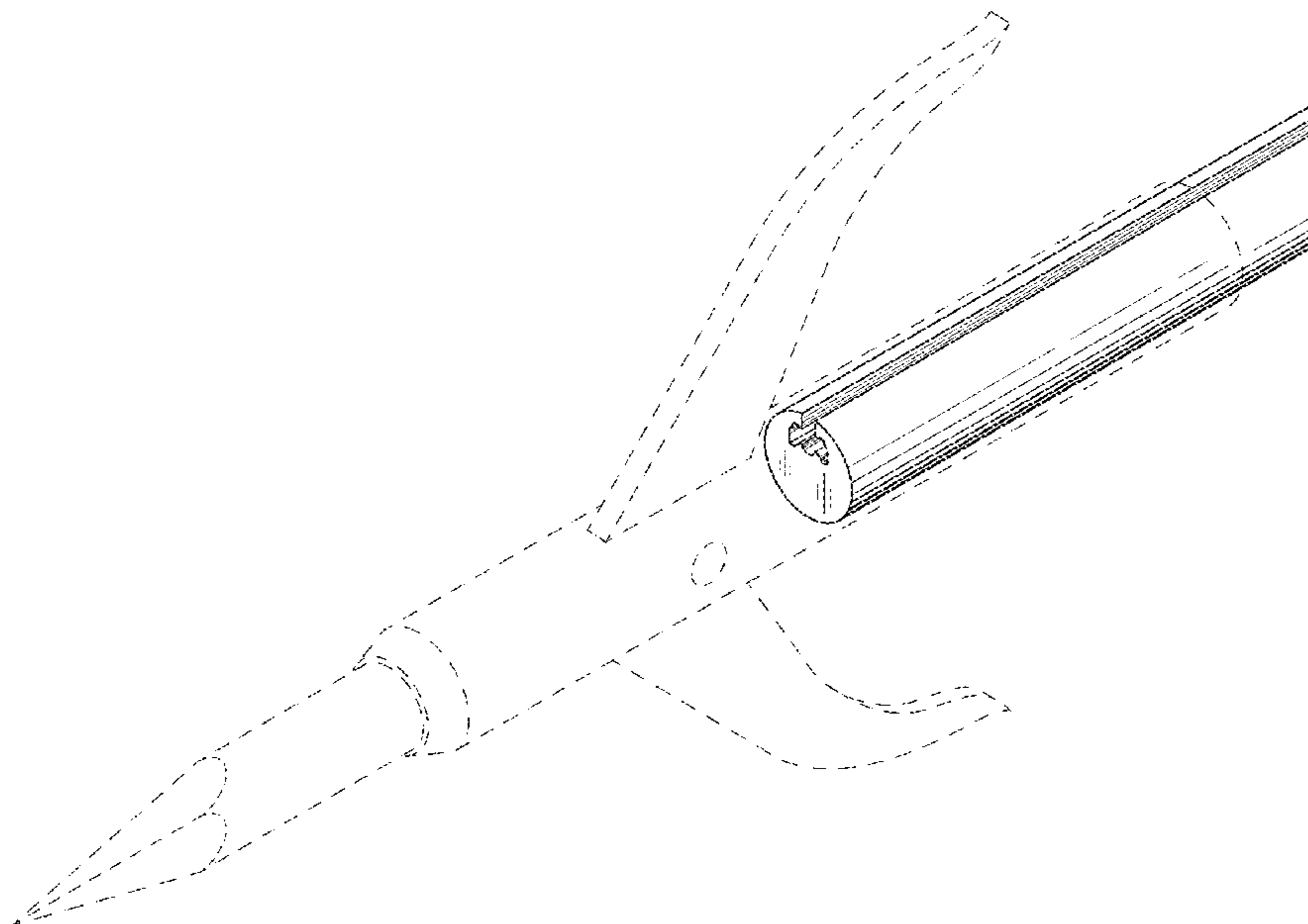
(57) **CLAIM**

The ornamental design for an arrow slider, as shown and described.

DESCRIPTION

FIG. 1 is a perspective view of a first end portion of my new ornamental design for an arrow with a slider;
 FIG. 2 is a perspective view of the middle portion of my new ornamental design for an arrow with a slider;
 FIG. 3 is a perspective view of a second end portion of my new ornamental design for an arrow with a slider;
 FIG. 4 is a sectional view of the arrow with a slider taken at view 4-4 of FIG. 2;
 FIG. 5 is a perspective view of an element of the arrow with a slider;
 FIG. 6 is a top-side view of the arrow with a slider of FIG. 1, FIG. 2 and FIG. 3;
 FIG. 7 is a side view of the arrow with a slider of FIG. 1, FIG. 2 and FIG. 3, the side views are mirror images of each other;
 FIG. 8 is a bottom-side view of the arrow with a slider of FIG. 1, FIG. 2 and FIG. 3;
 FIG. 9 is an end view of the arrow with a slider of FIG. 1, FIG. 2 and FIG. 3;
 FIG. 10 is a perspective view of another embodiment of the arrow with a slider that includes two sliders; and,
 FIG. 11 is an end view of the arrow with a slider of FIG. 10. The broken line showing of drawing views 1,2,3 and 5 is included for the purpose of illustrating environment and forms no part of the claimed design.

1 Claim, 8 Drawing Sheets



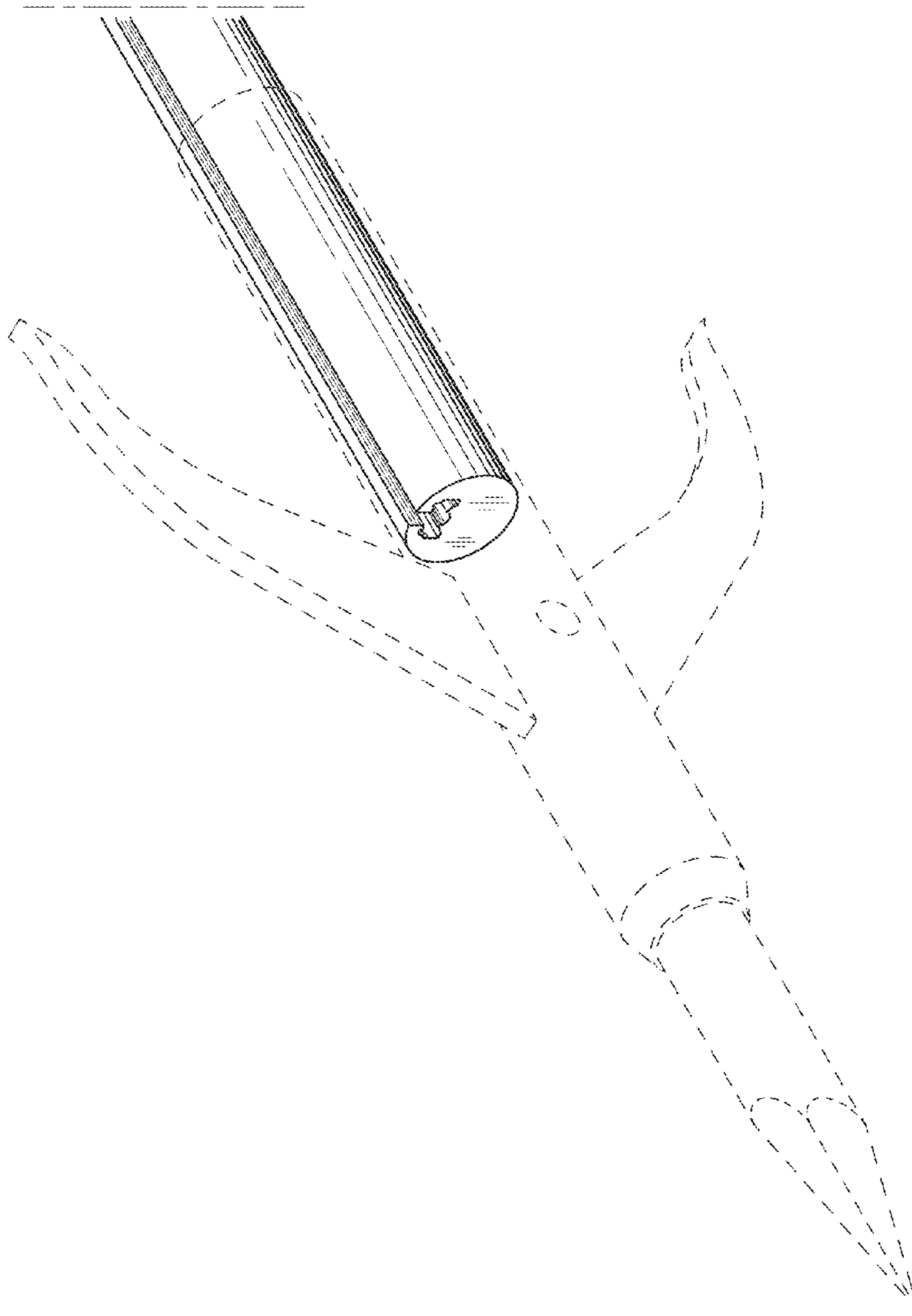


FIG. 1

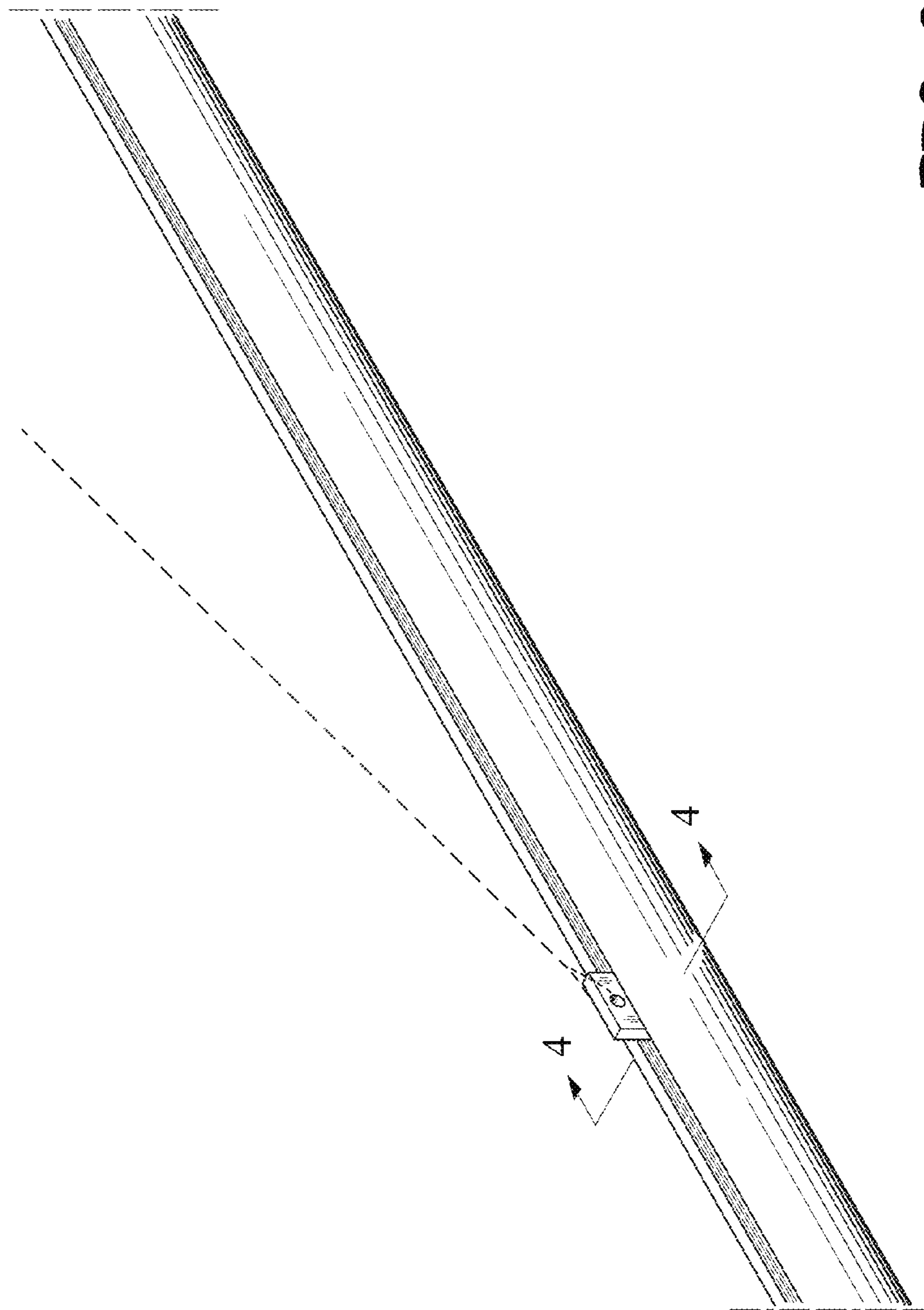


FIG. 2

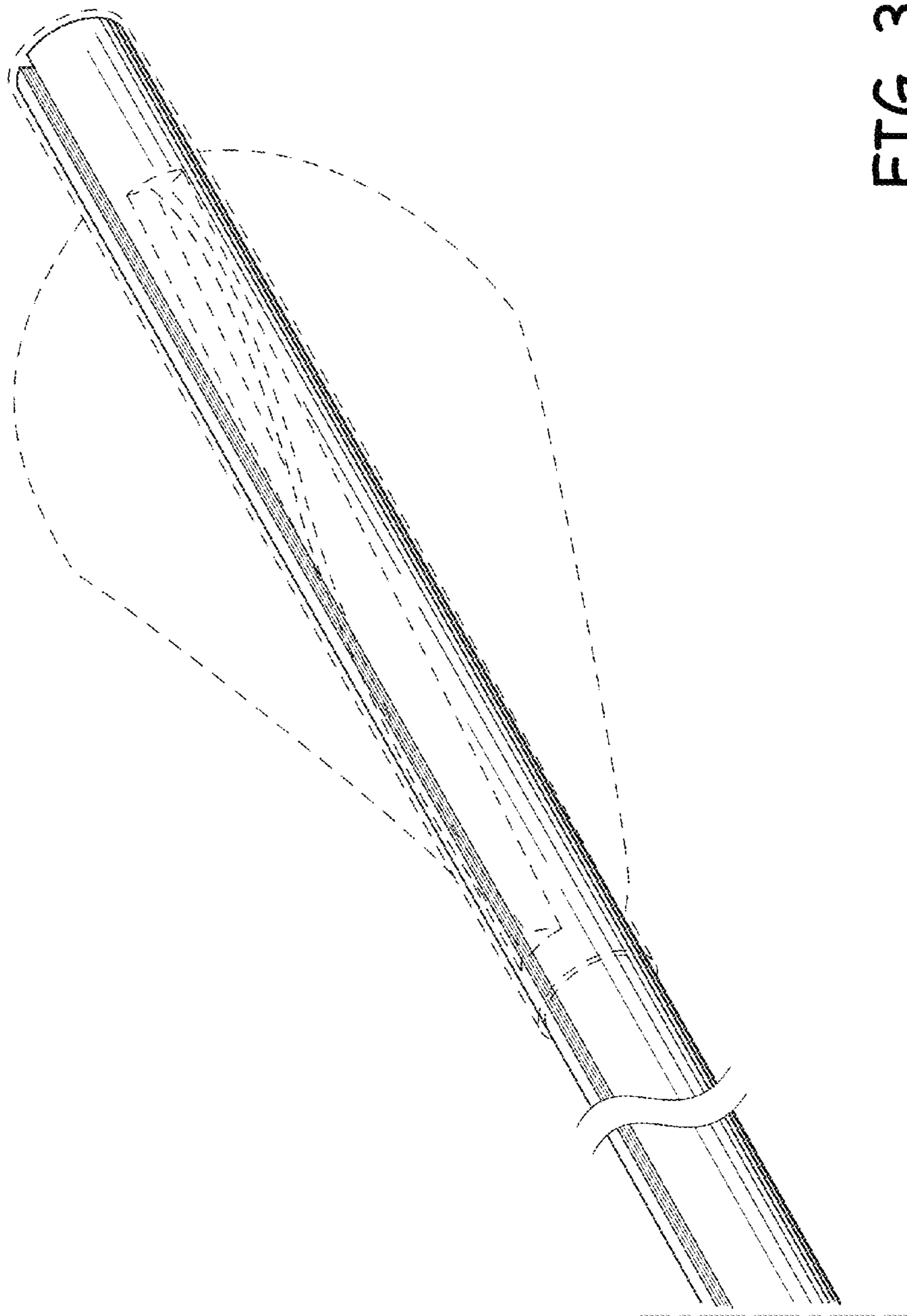


FIG. 3

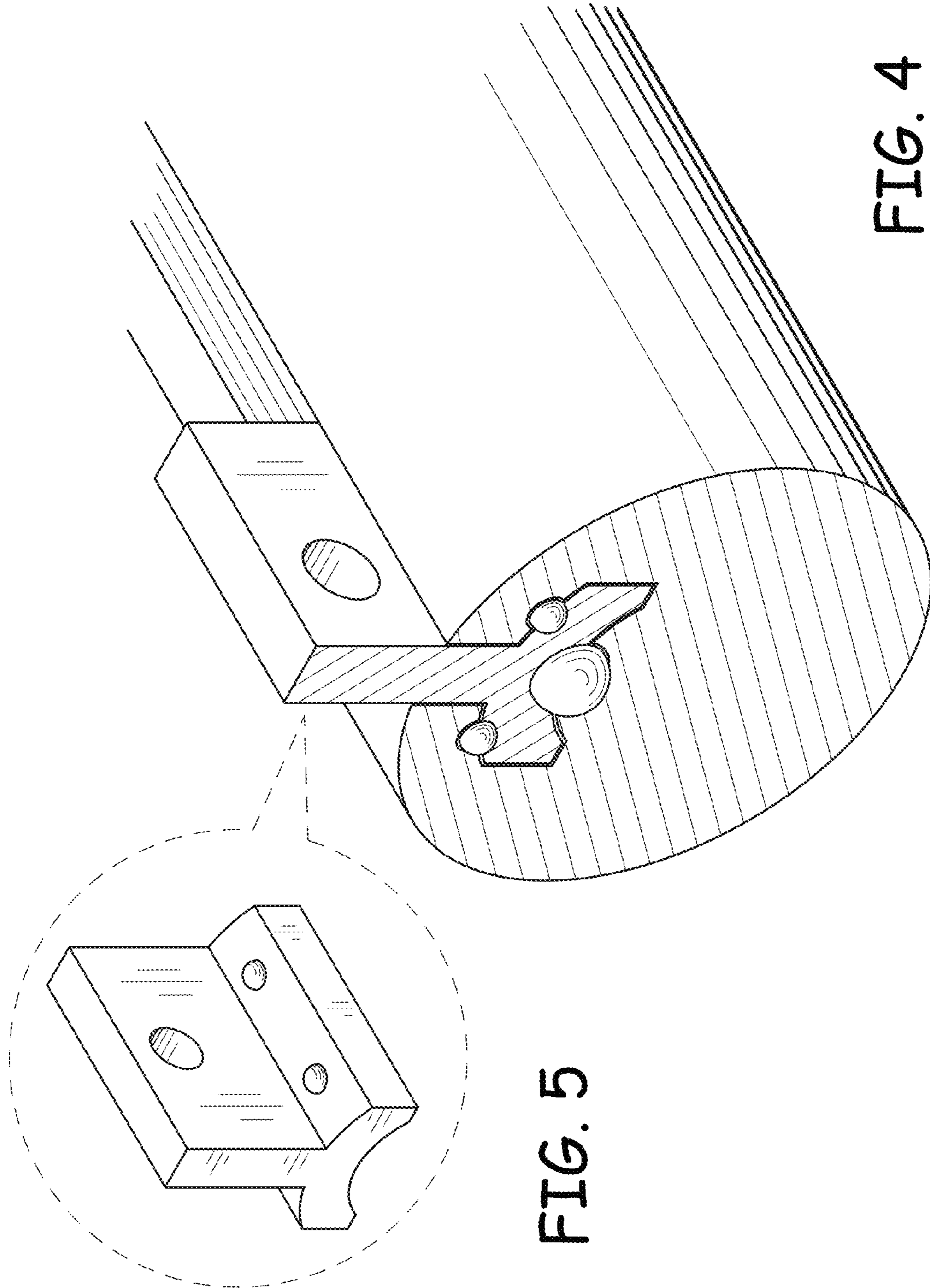


FIG. 4

FIG. 5

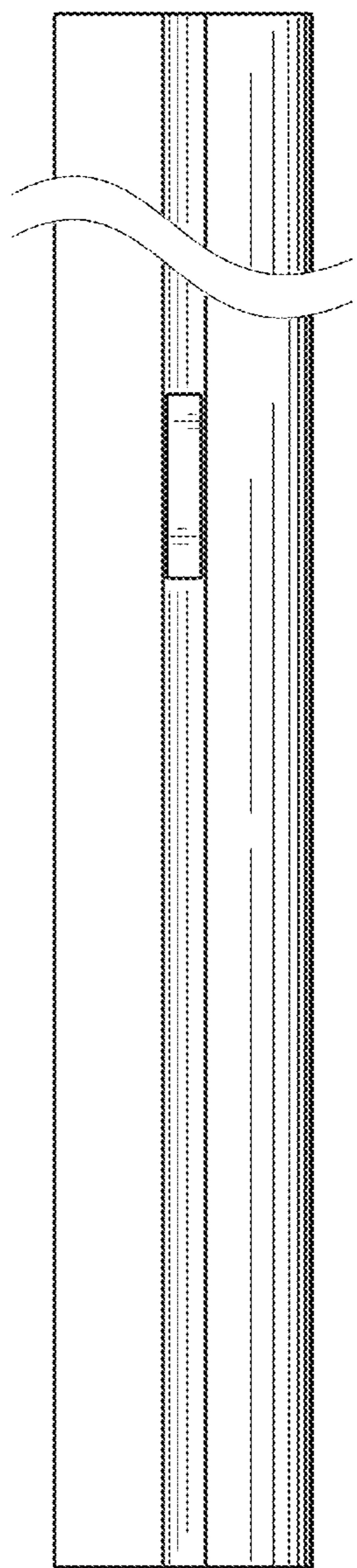


FIG. 6

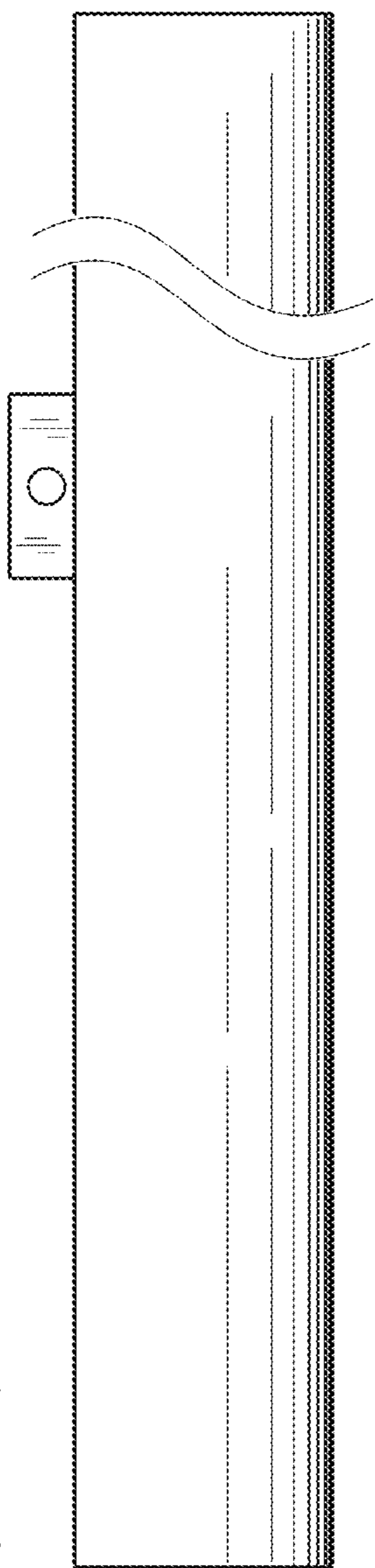


FIG. 7

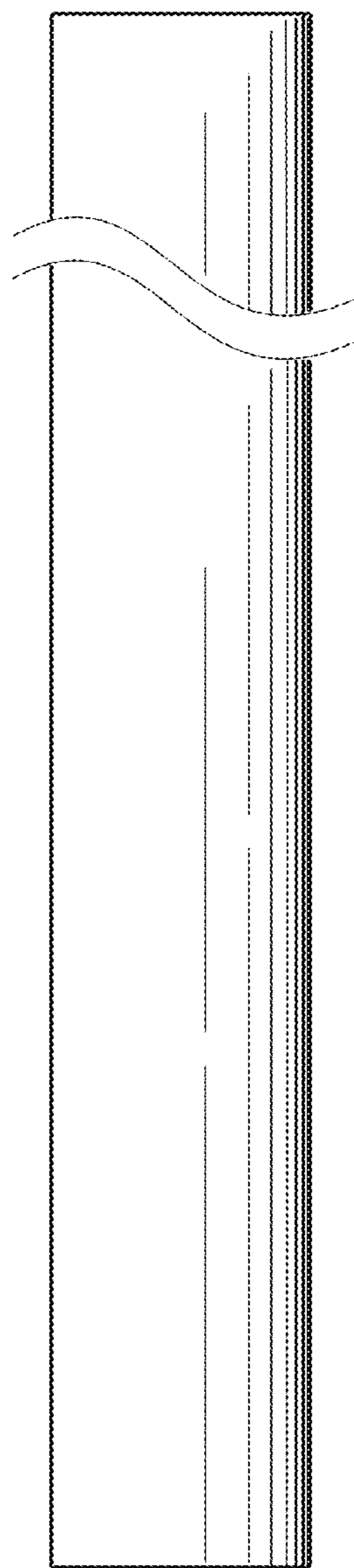


FIG. 8

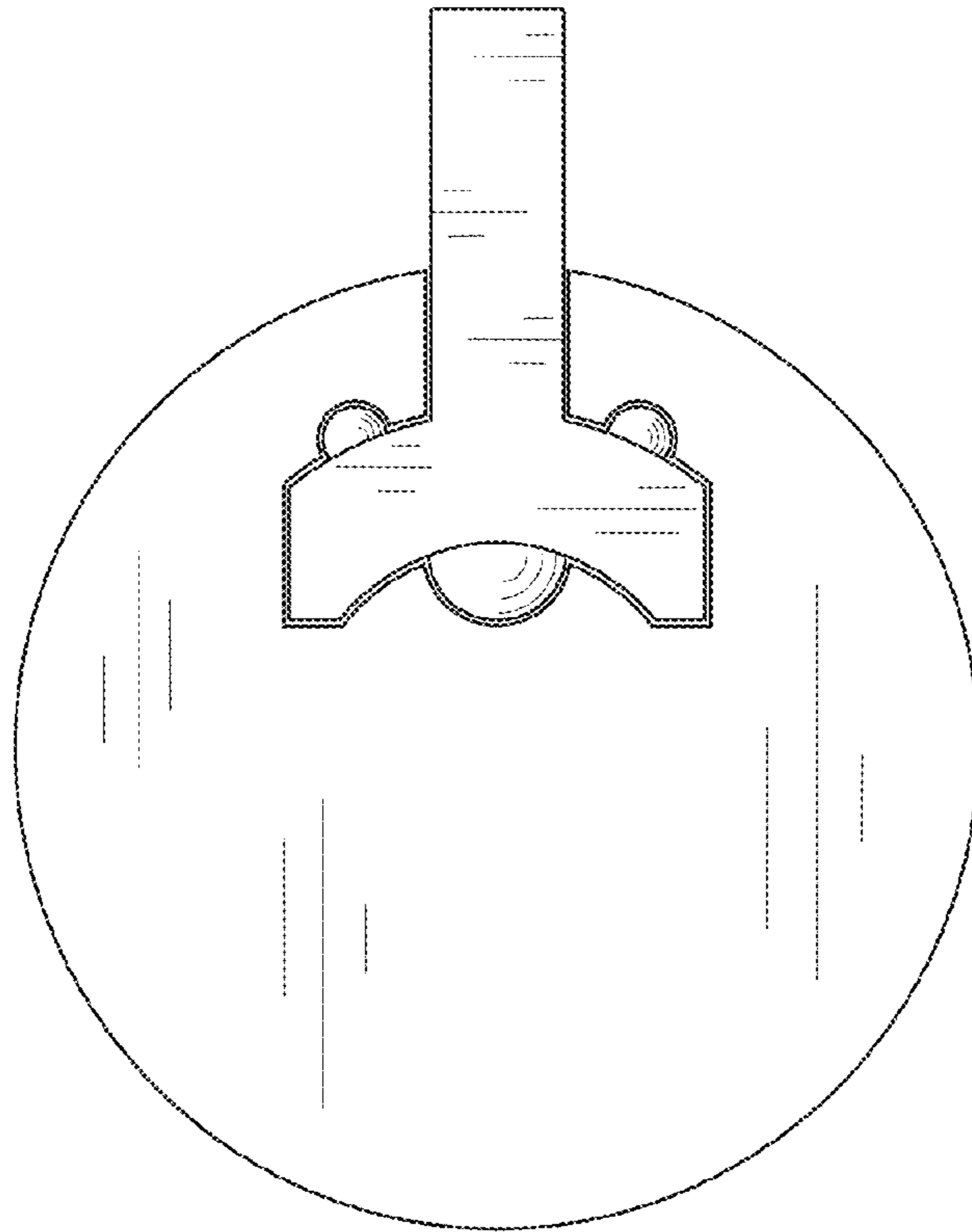


FIG. 9

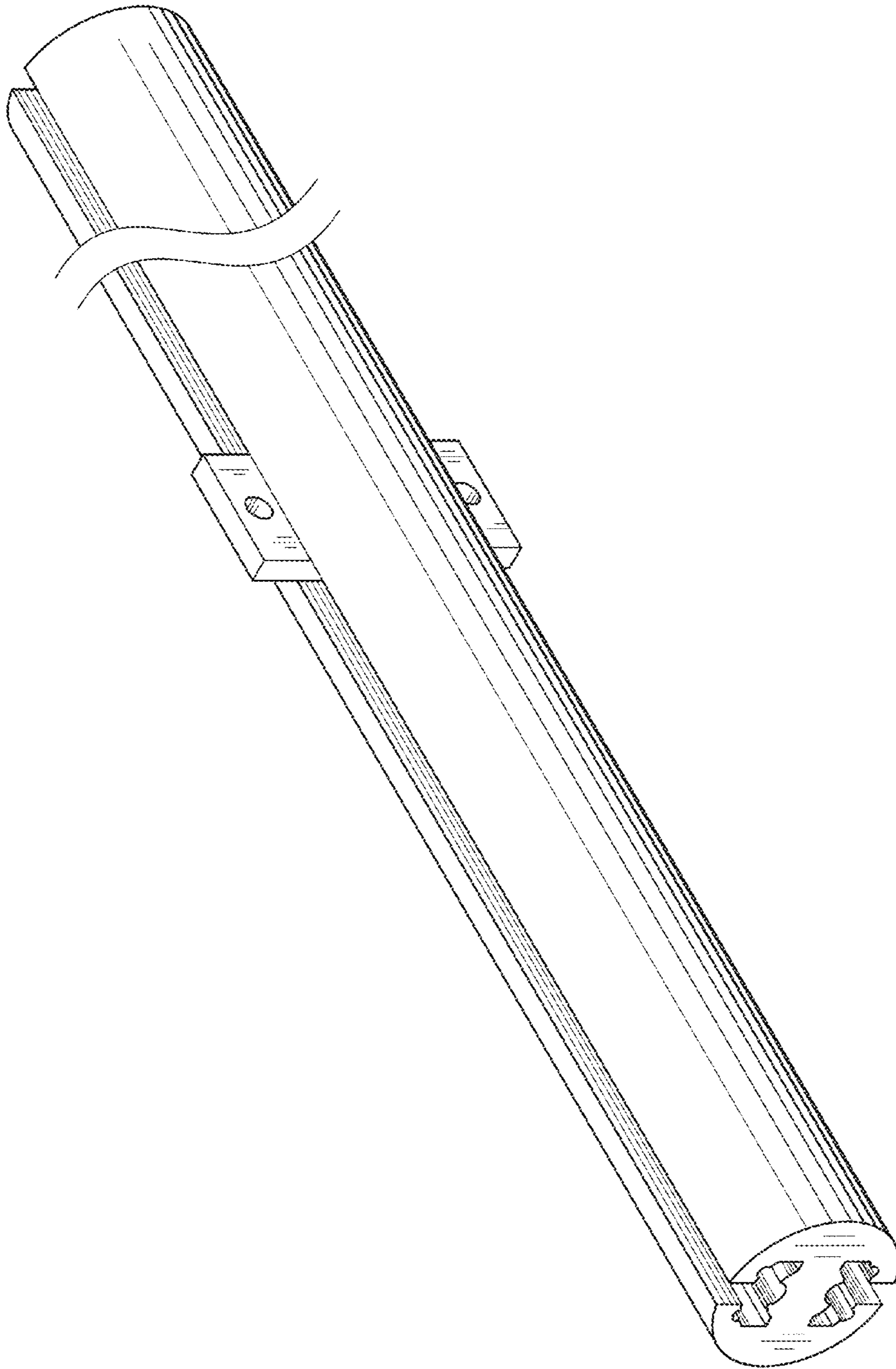


FIG. 10

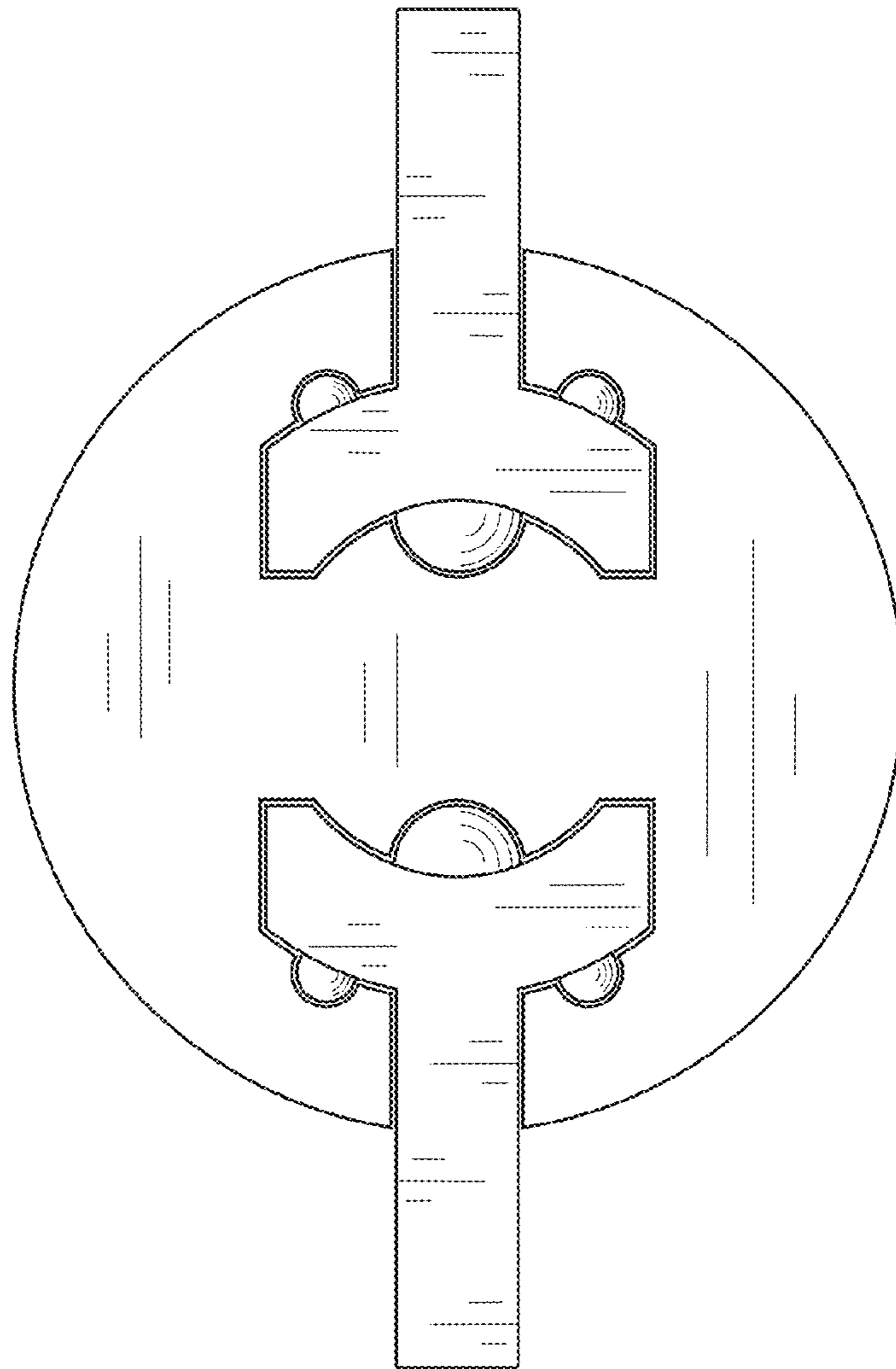


FIG. 11