



US00D727451S

(12) **United States Design Patent**
Schofield

(10) **Patent No.:** **US D727,451 S**

(45) **Date of Patent:** **** Apr. 21, 2015**

(54) **TENSEGRITY STRUCTURE**

(71) Applicant: **American Recreation Products, LLC,**
Boulder, CO (US)

(72) Inventor: **Chase C. Schofield,** Boulder, CO (US)

(73) Assignee: **American Recreation Products, LLC.,**
Boulder, CO (US)

(**) Term: **14 Years**

(21) Appl. No.: **29/491,086**

(22) Filed: **May 16, 2014**

(51) **LOC (10) Cl.** **21-04**

(52) **U.S. Cl.**
USPC **D21/834**

(58) **Field of Classification Search**
USPC D21/834, 836-839; D25/33, 64, 66, 67,
D25/71, 56, 57; 135/87, 88.05, 88.06,
135/88.13, 90, 93, 94, 96-99, 115, 117,
135/121, 124-128, 132, 133, 135, 138, 143,
135/157, 900, 908; 296/159-161; D12/401,
D12/402, 403, 404; 52/79.1
See application file for complete search history.

(56) **References Cited**

U.S. PATENT DOCUMENTS

D232,328 S *	8/1974	Kirkham	D21/838
D259,653 S *	6/1981	Day	D21/838
D270,928 S *	10/1983	Brossier	D21/838
D396,086 S *	7/1998	Cantwell	D21/838
D397,399 S *	8/1998	Bury et al.	D21/834

5,915,400 A *	6/1999	Pohl et al.	135/125
7,134,443 B1 *	11/2006	Shires	135/124
7,146,996 B1 *	12/2006	Shires	135/126
D713,482 S *	9/2014	Mercieca	D21/834

* cited by examiner

Primary Examiner — Cynthia M Chin

(74) *Attorney, Agent, or Firm* — Stinson Leonard Street LLP

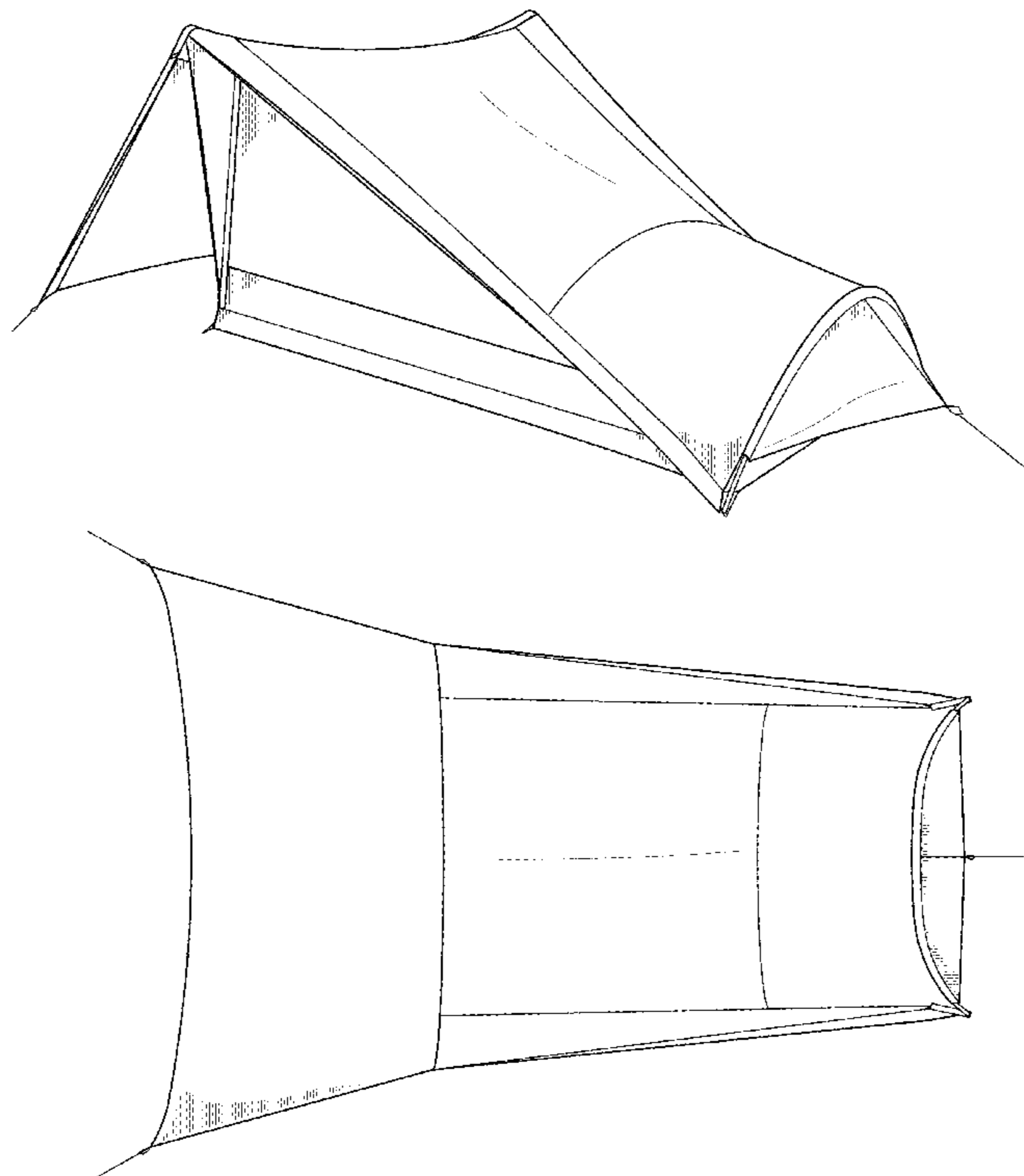
(57) **CLAIM**

The ornamental design for a tensegrity structure, as shown and described.

DESCRIPTION

FIG. 1 is a perspective view of one embodiment of a tensegrity structure of my new design.
 FIG. 2 is a right perspective view thereof.
 FIG. 3 is a left perspective view thereof.
 FIG. 4 is a rear elevation thereof.
 FIG. 5 a front elevation thereof.
 FIG. 6 is a top plan thereof.
 FIG. 7 is a bottom plan thereof.
 FIG. 8 is a perspective view of another embodiment of a tensegrity structure of my new design.
 FIG. 9 is a right perspective view thereof.
 FIG. 10 is a left perspective view thereof.
 FIG. 11 is a rear elevation thereof.
 FIG. 12 a front elevation thereof.
 FIG. 13 is a top plan thereof; and,
 FIG. 14 is a bottom plan thereof.

1 Claim, 14 Drawing Sheets



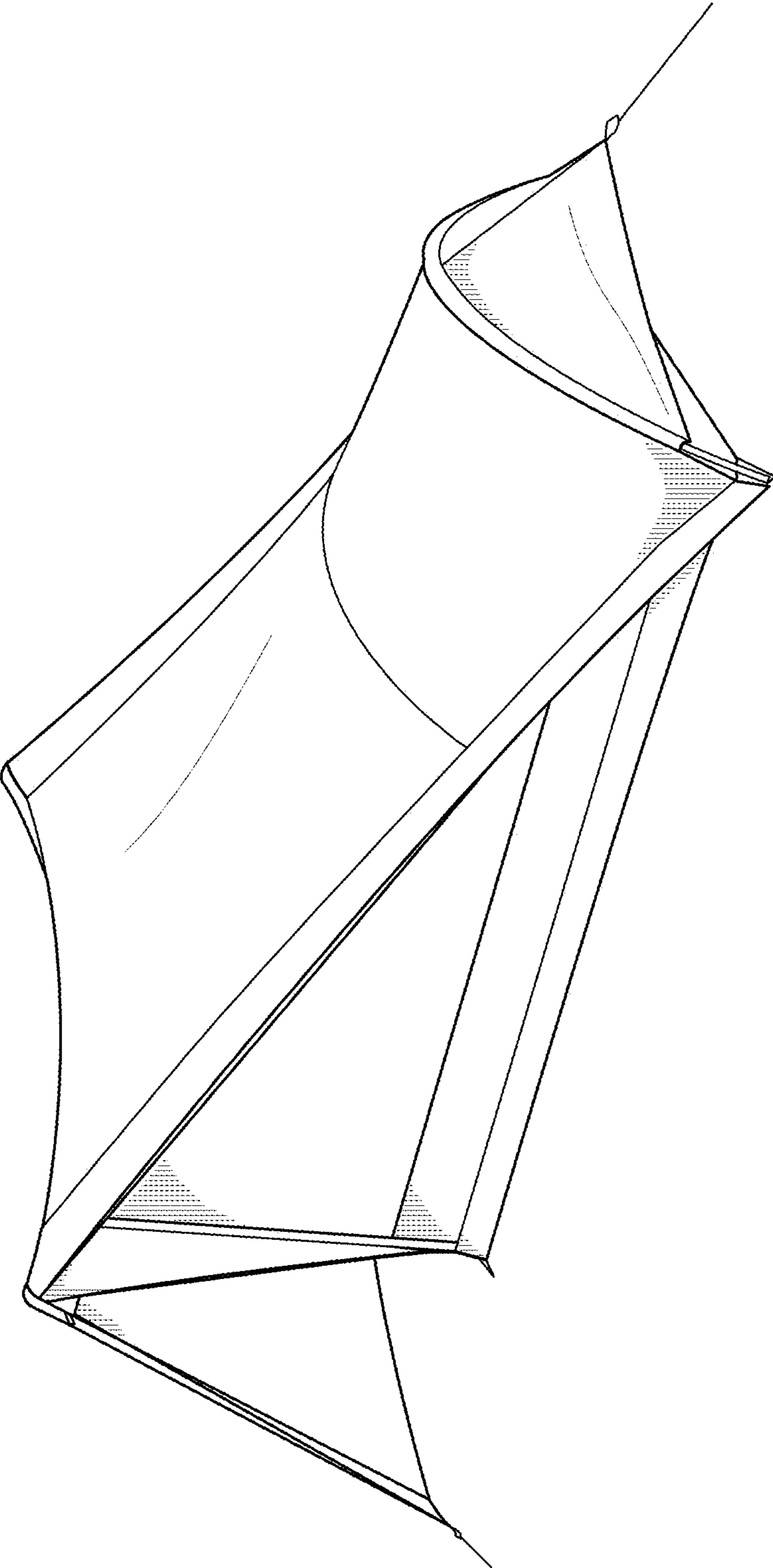


FIG. 1

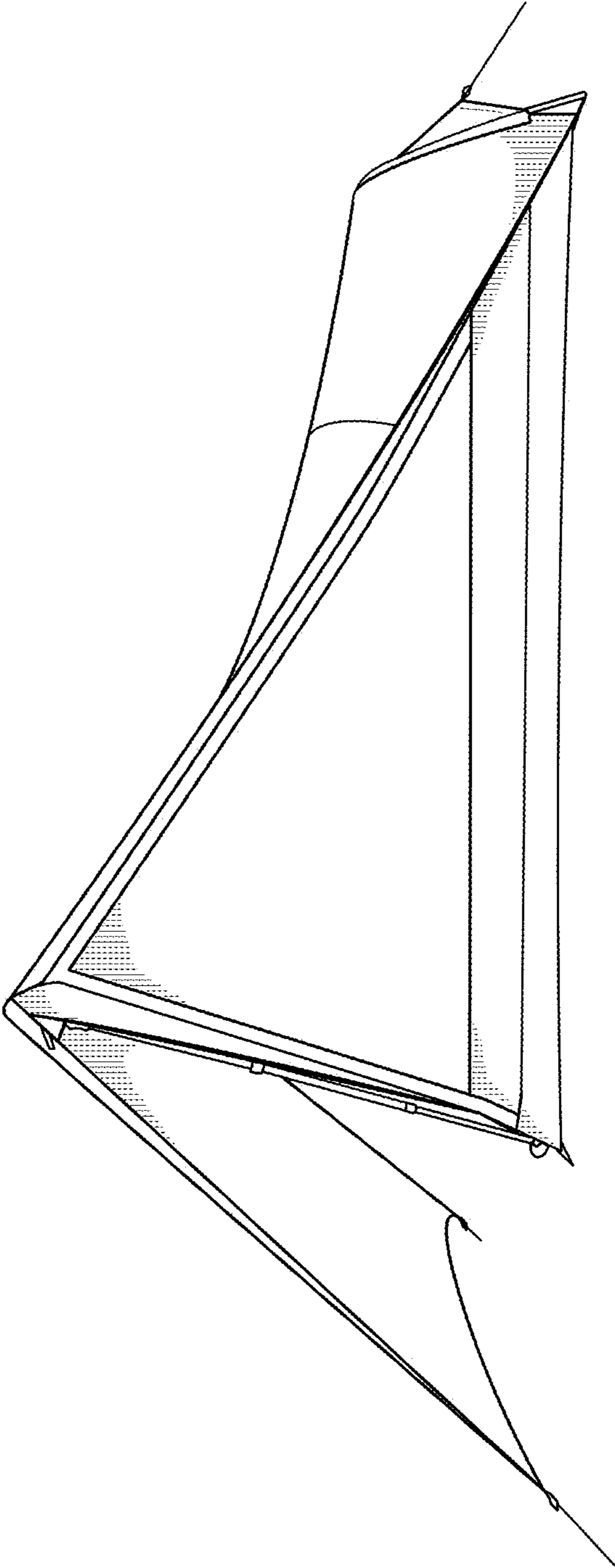


FIG. 2

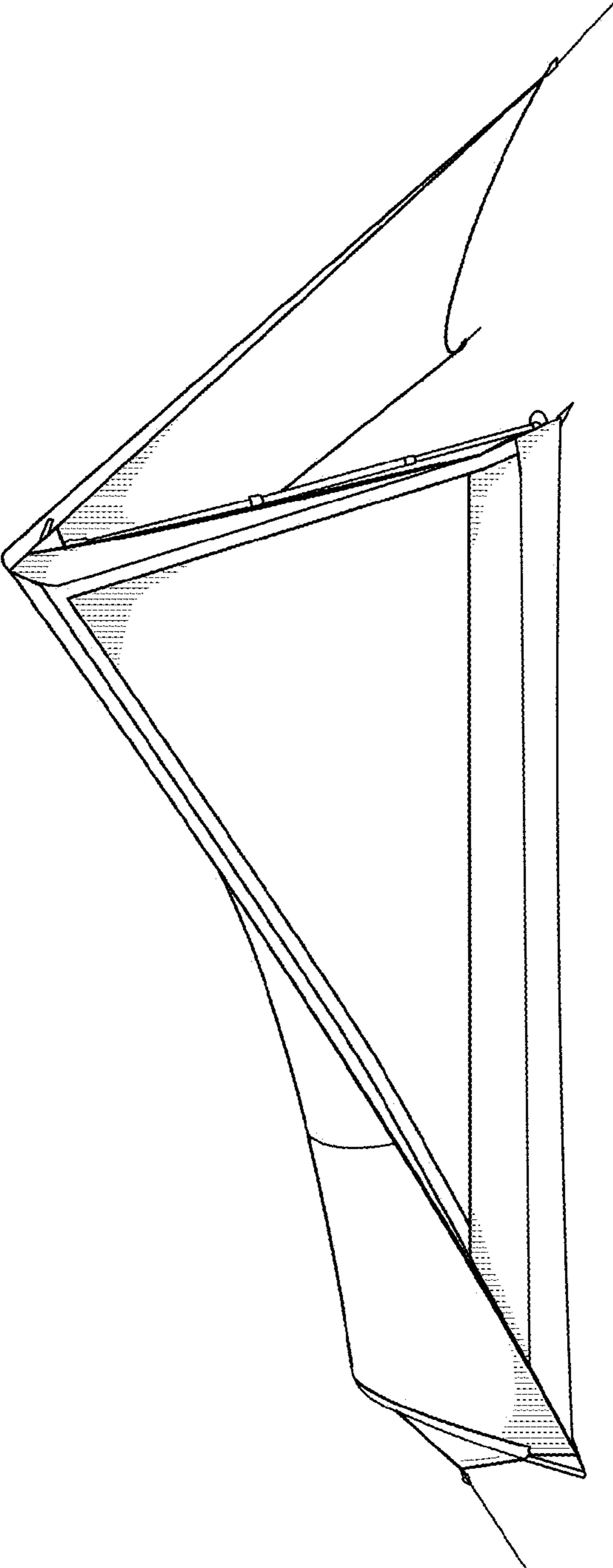


FIG. 3

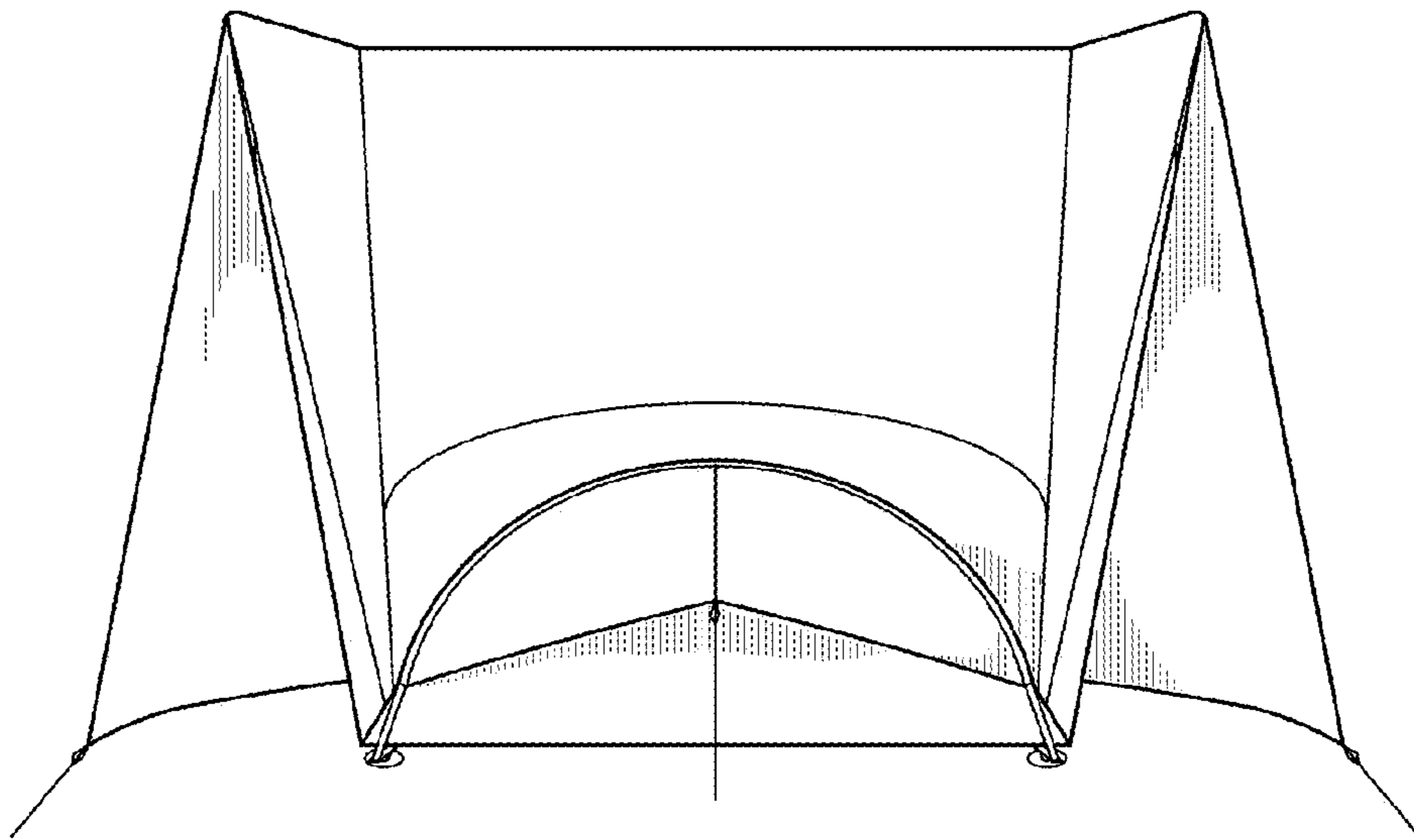


FIG. 4

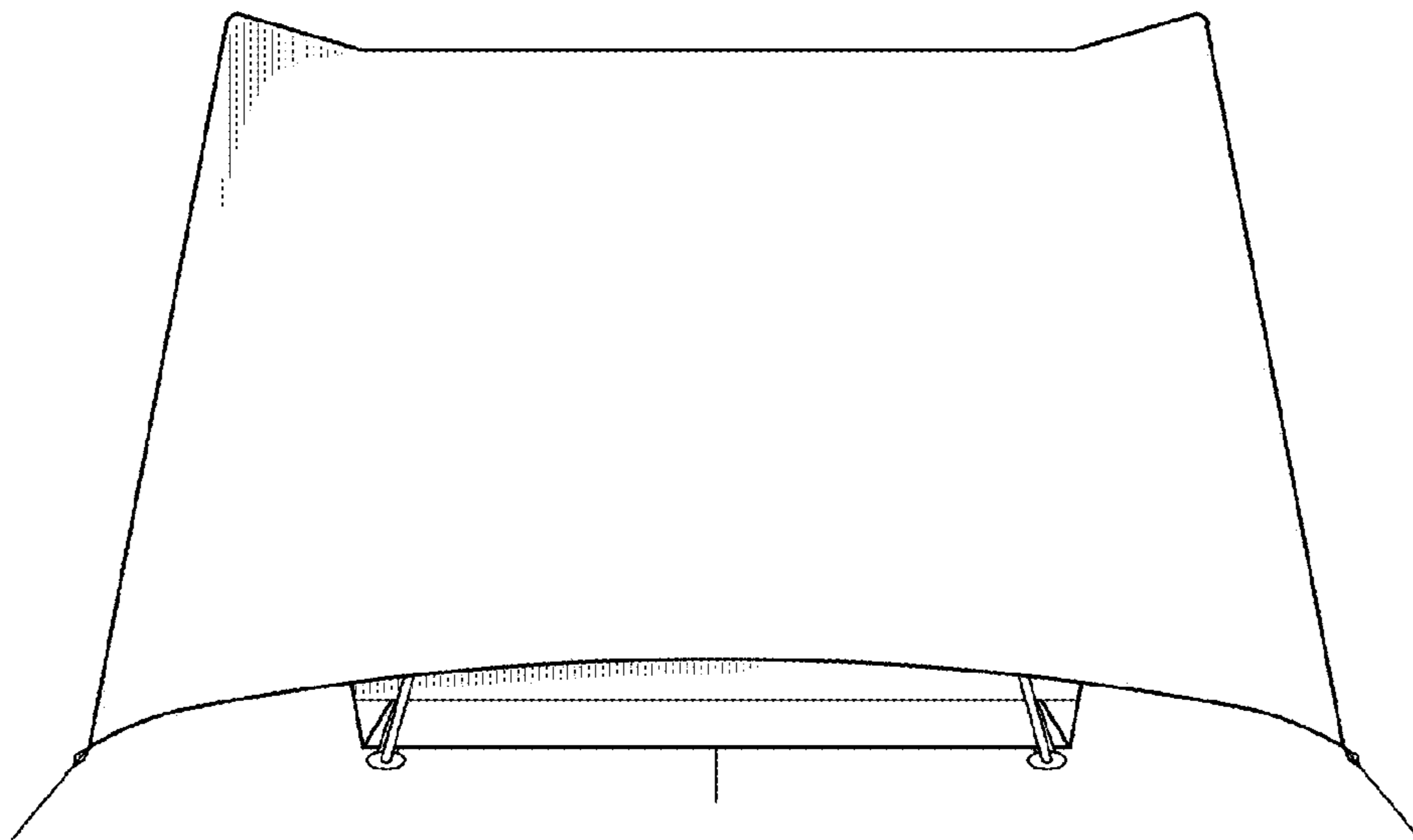


FIG. 5

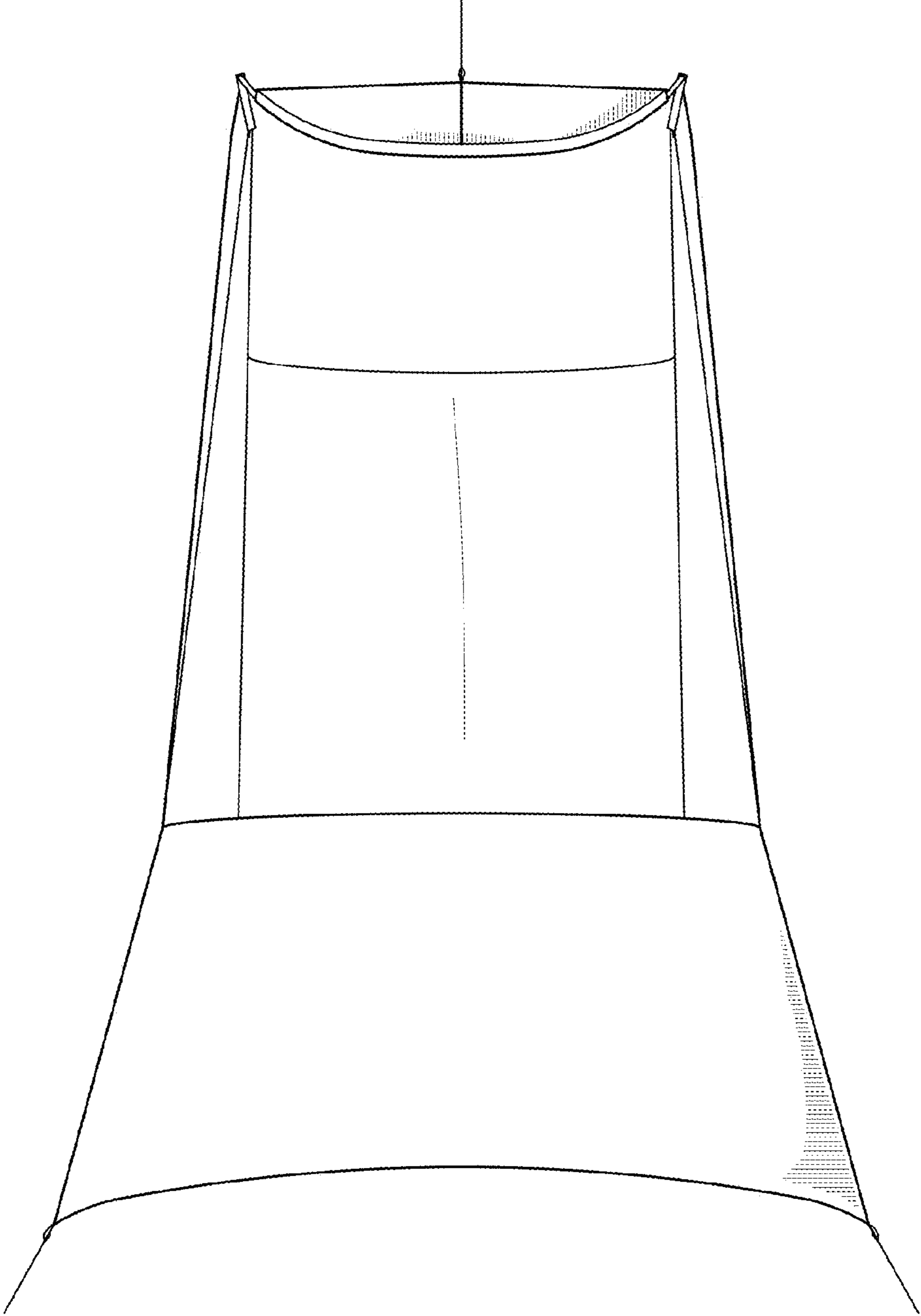


FIG. 6

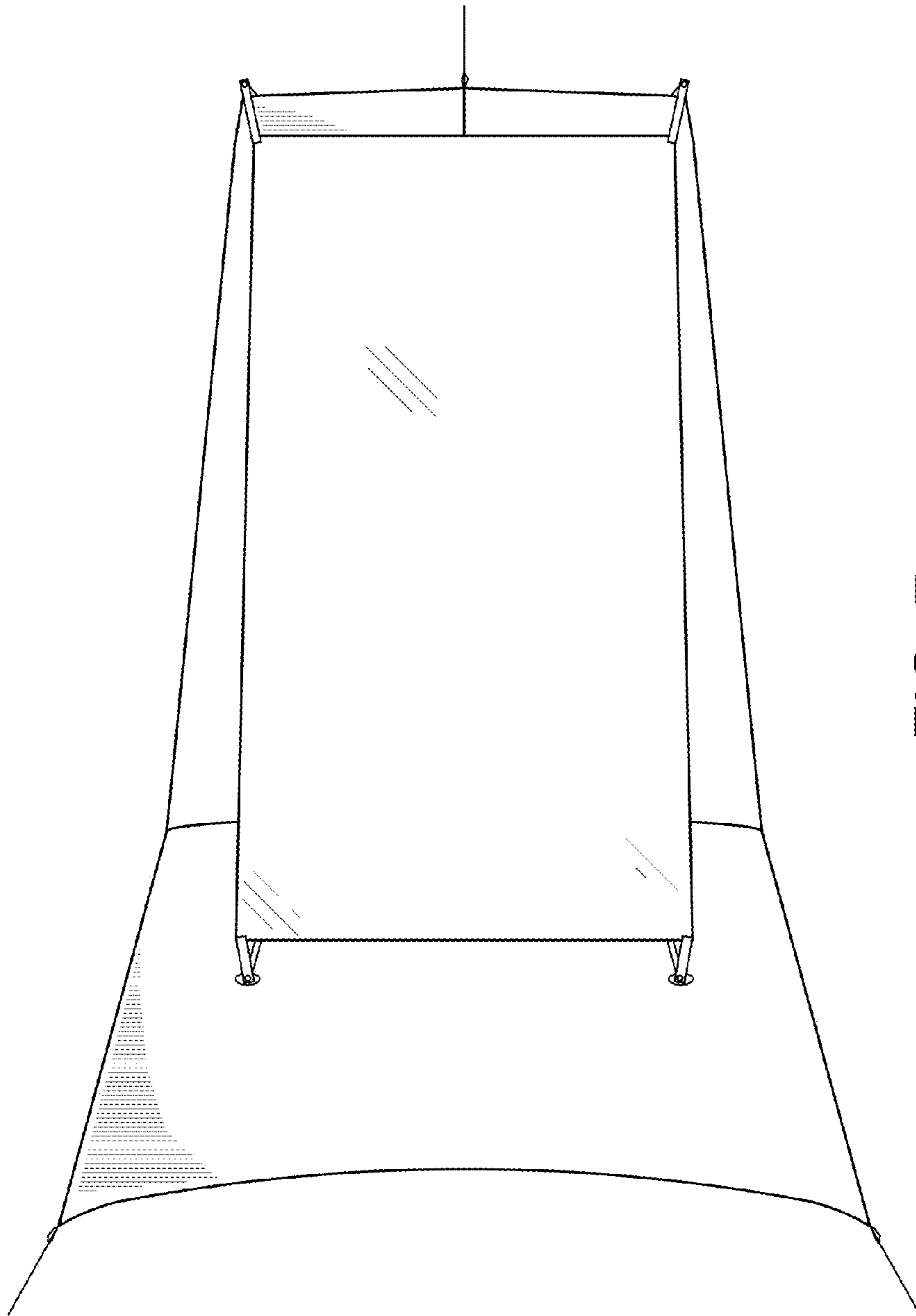


FIG. 7

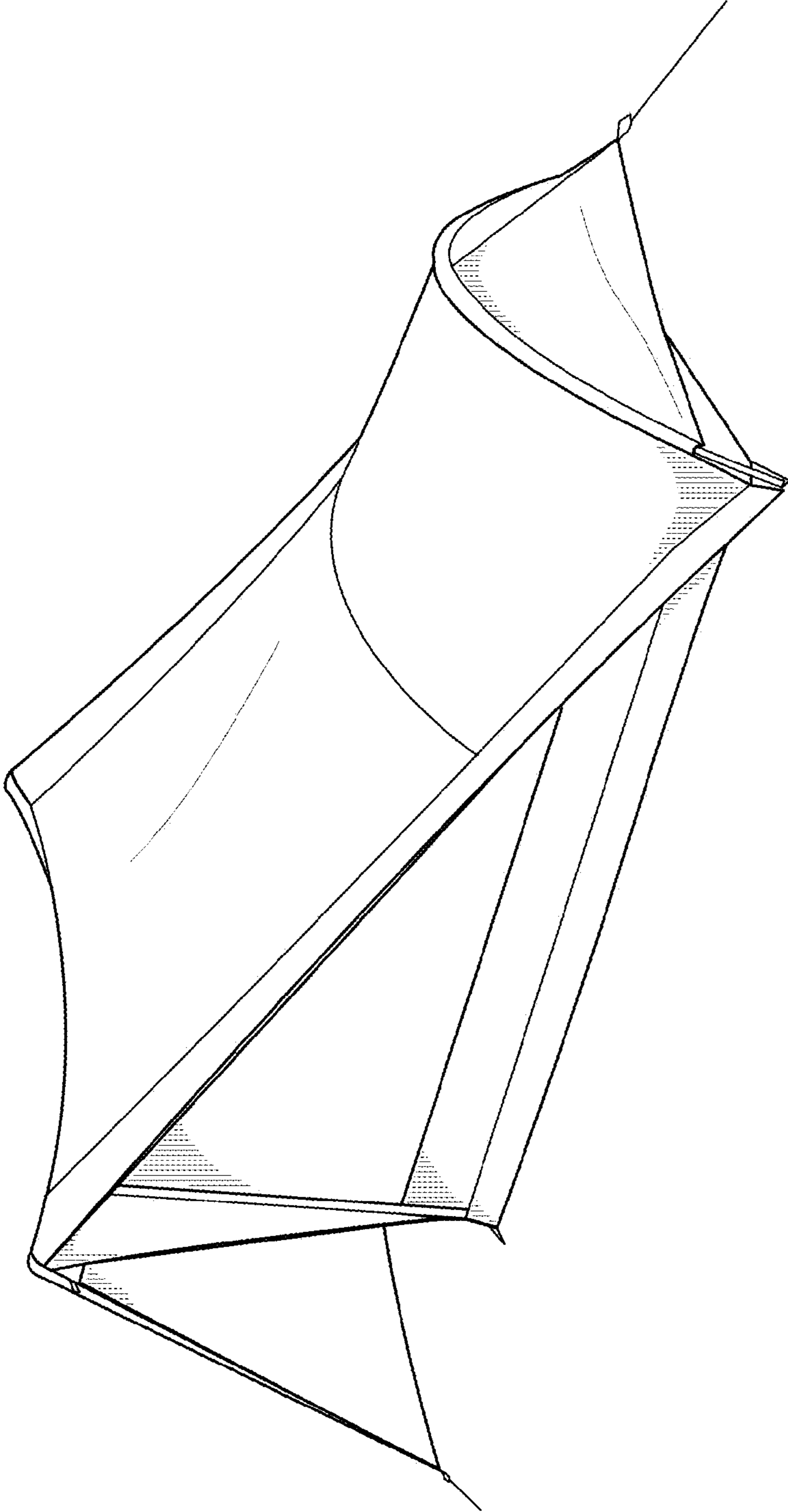


FIG. 8

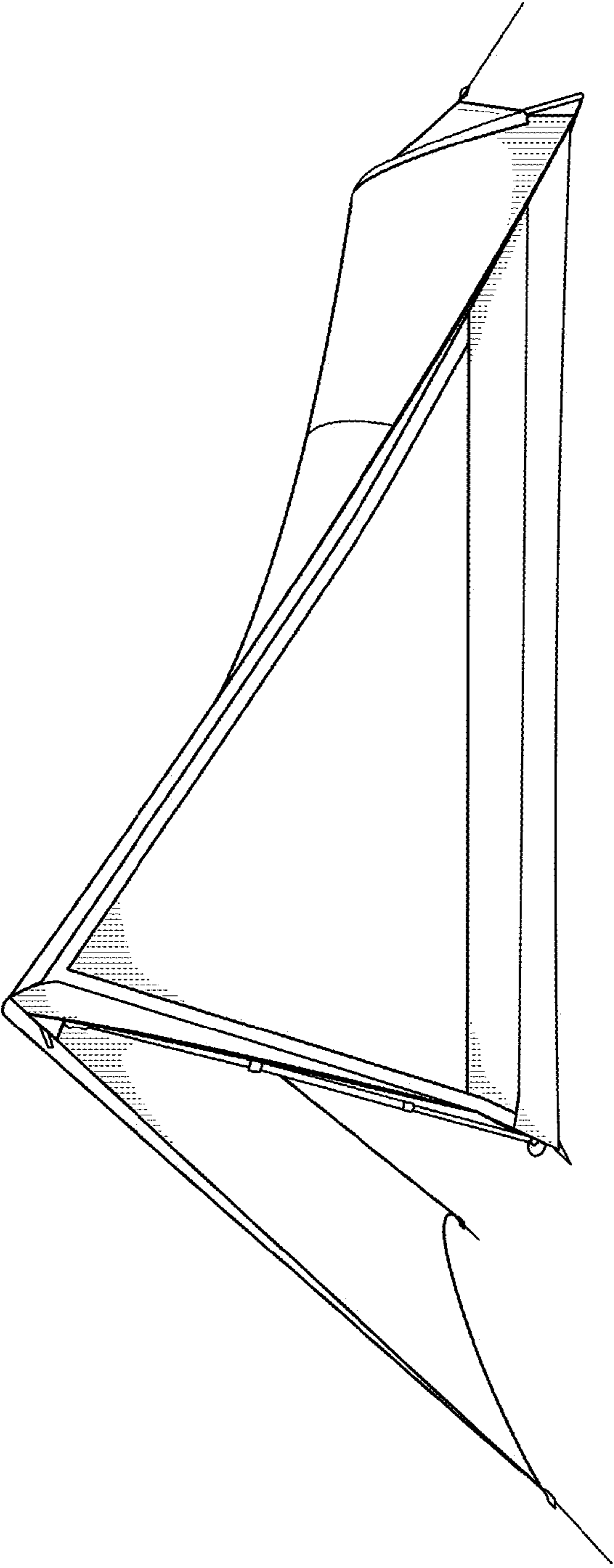


FIG. 9

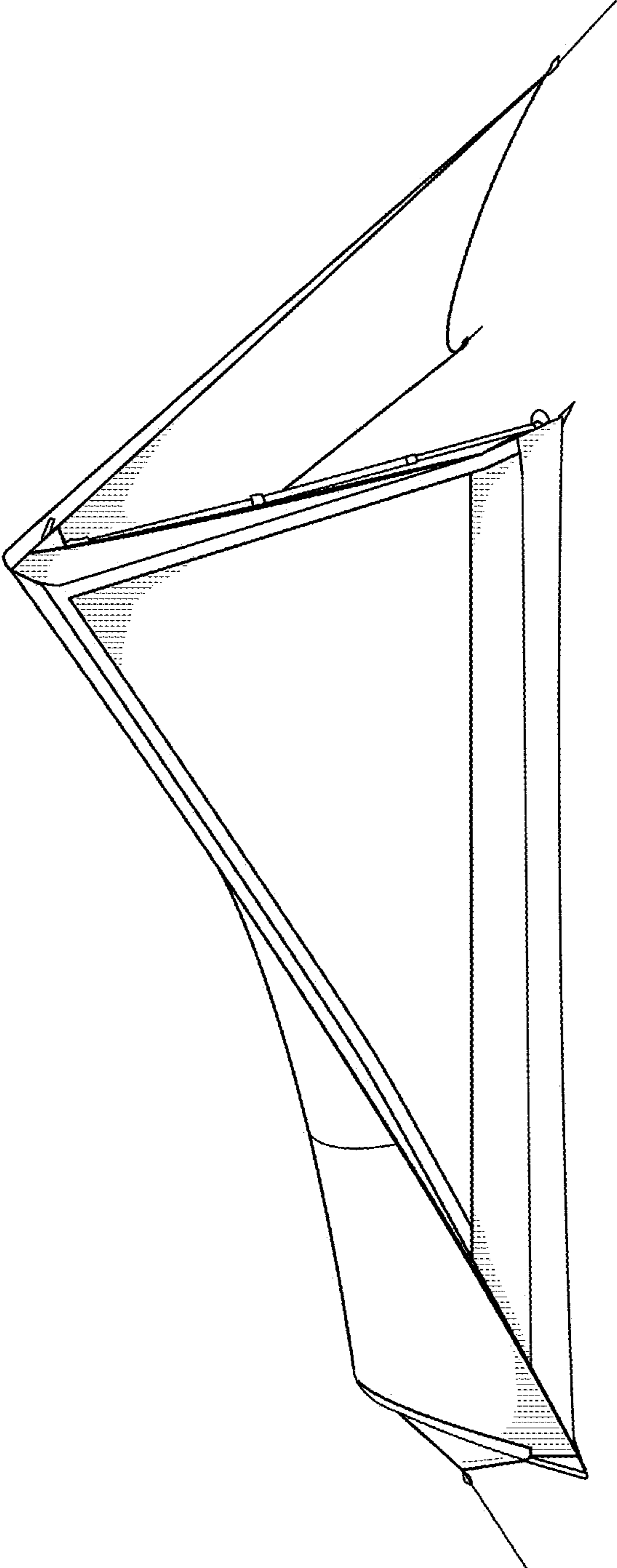


FIG. 10

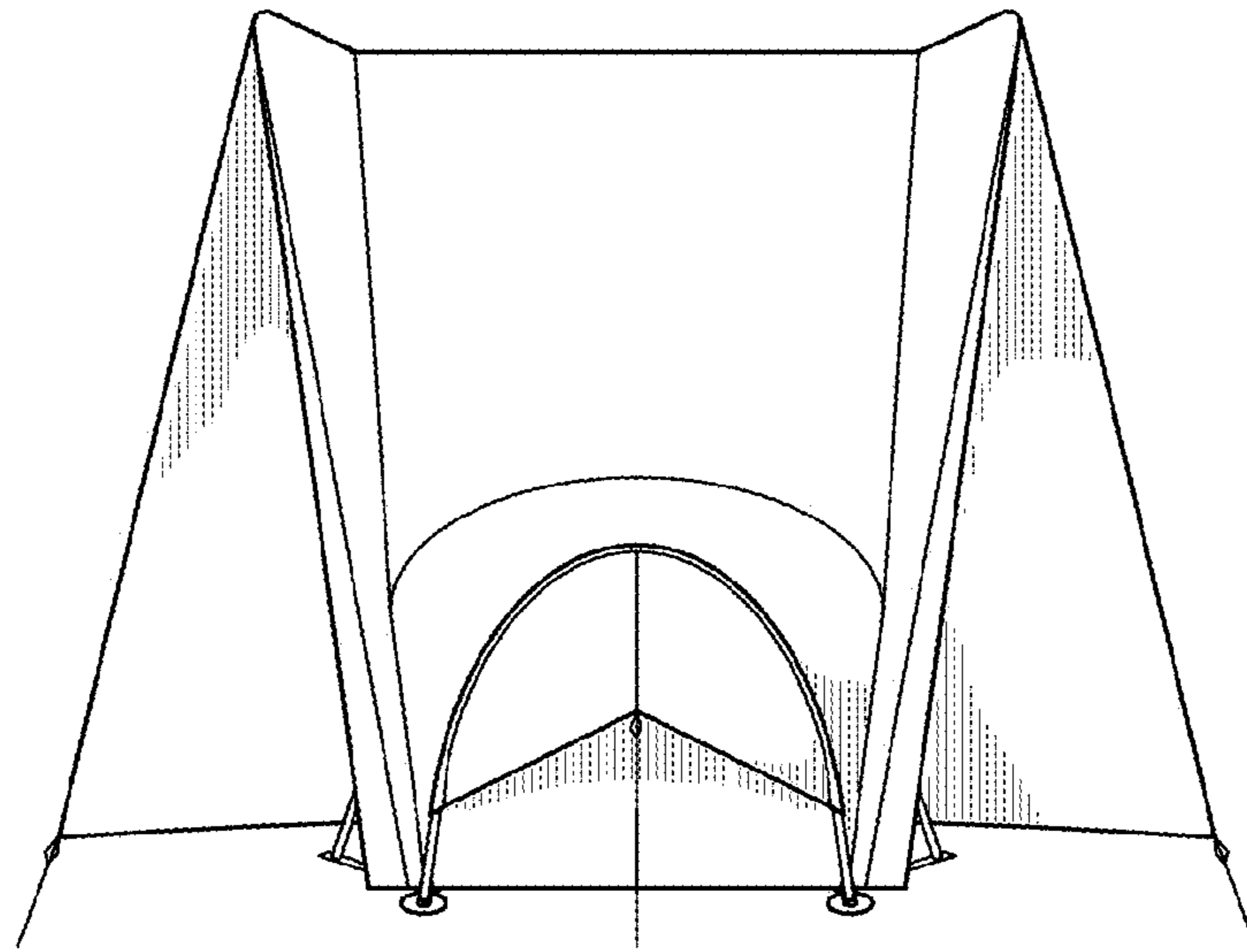


FIG. 11

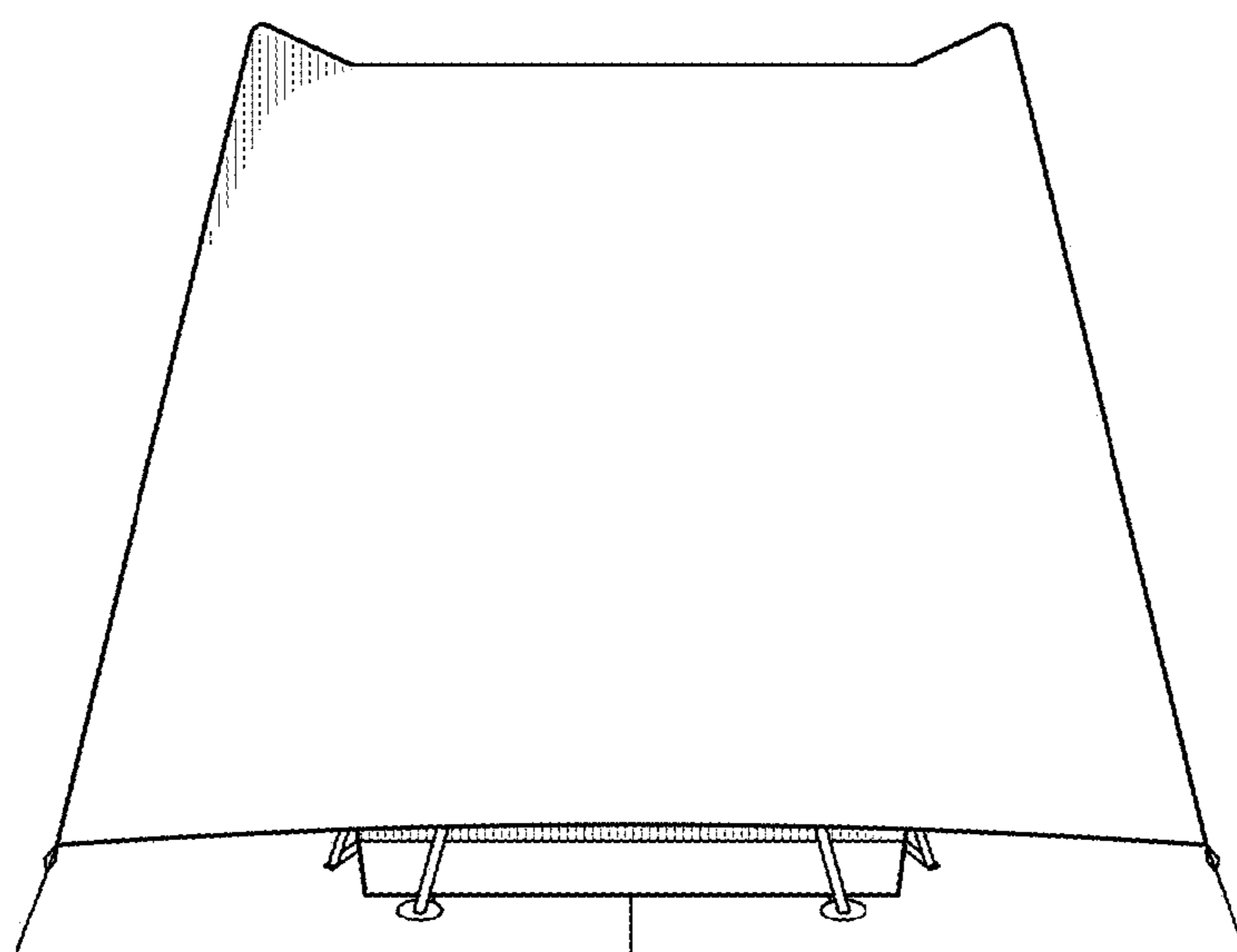


FIG. 12

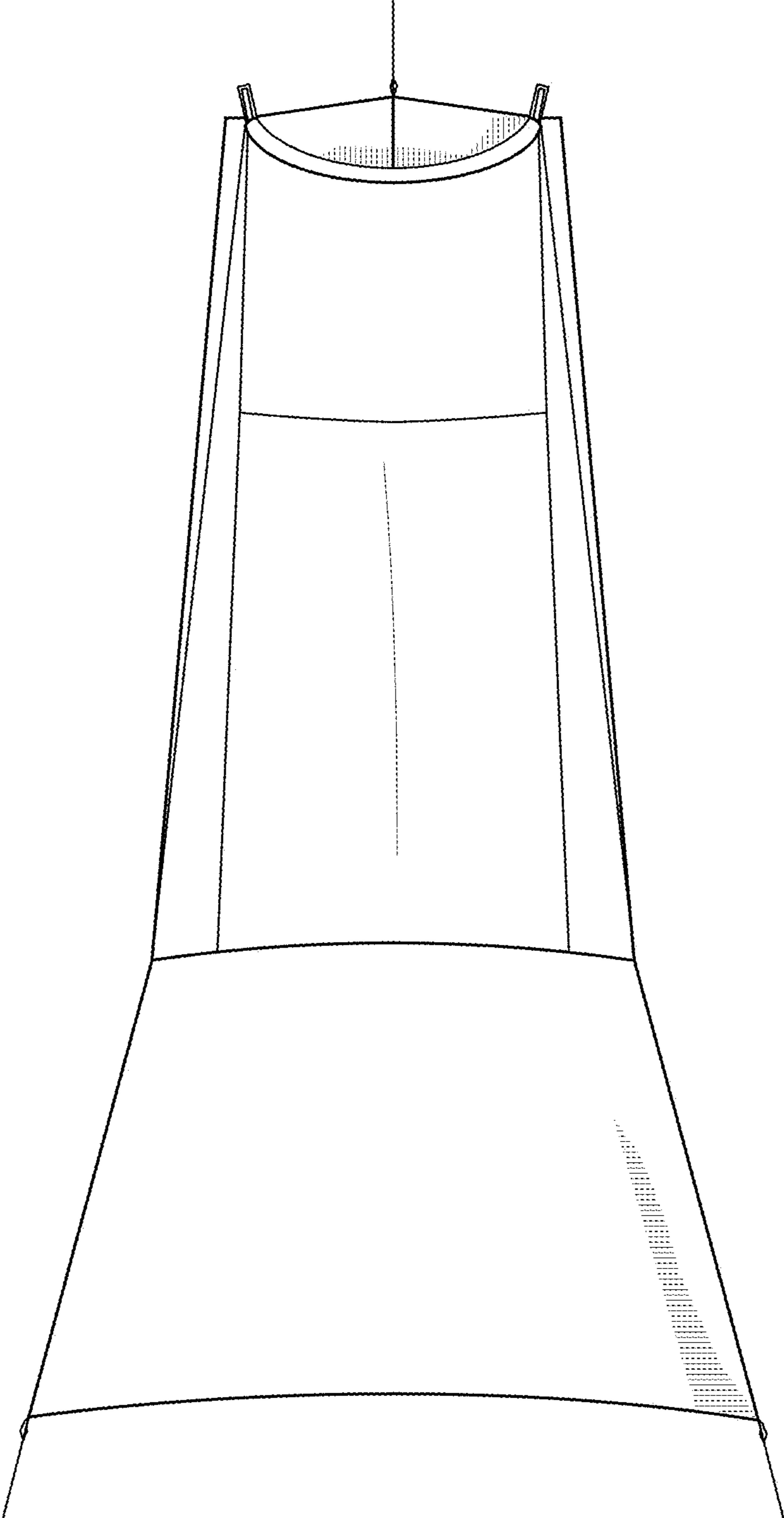


FIG. 13

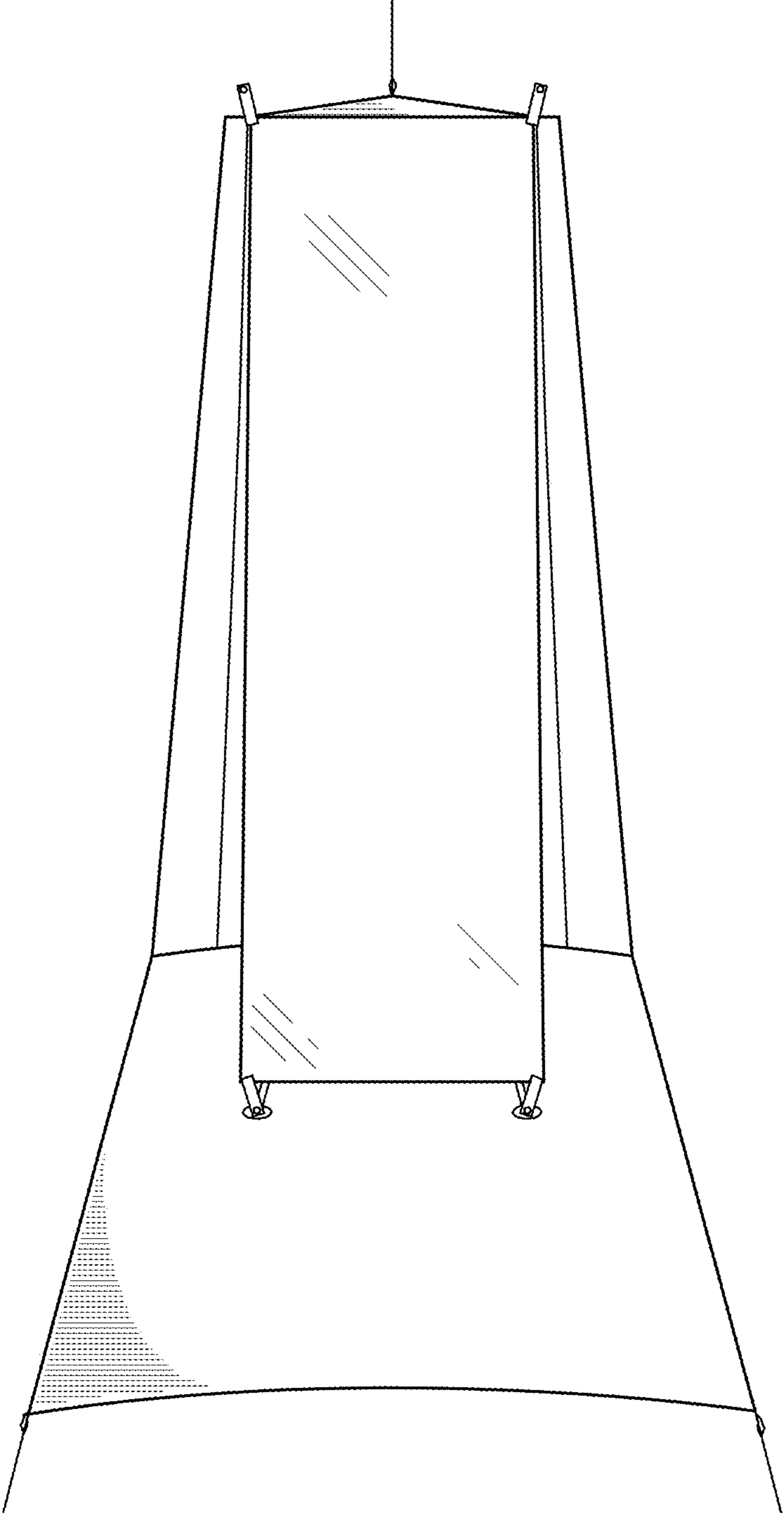


FIG. 14