

US00D727450S

(12) **United States Design Patent**  
**Norris et al.**

(10) **Patent No.:** **US D727,450 S**

(45) **Date of Patent:** **\*\* Apr. 21, 2015**

(54) **FLOTATION DEVICE**

(71) Applicant: **Floaty Brands LLC**, Maineville, OH  
(US)

(72) Inventors: **Stephen R Norris**, Maineville, OH (US);  
**Michelle C McCarthy**, Maineville, OH  
(US)

(73) Assignee: **Floaty Brands, LLC**, Mainville, OH  
(US)

(\*\*) Term: **14 Years**

(21) Appl. No.: **29/493,323**

(22) Filed: **Jun. 9, 2014**

(51) **LOC (10) Cl.** ..... **29-02**

(52) **U.S. Cl.**  
USPC ..... **D21/805**

(58) **Field of Classification Search**  
CPC ..... B63C 9/115  
USPC ..... D21/804, 805; D29/100, 101.1, 101, 4;  
2/456, 458, 467, 463; 441/88, 89, 106,  
441/108, 111, 114-117  
See application file for complete search history.

(56) **References Cited**

**U.S. PATENT DOCUMENTS**

D280,005 S	8/1985	Jones	
D310,700 S *	9/1990	Jones	D21/805
4,986,786 A *	1/1991	Helt et al.	441/120
D319,679 S *	9/1991	Haley	D21/803
D344,120 S *	2/1994	Helt et al.	D21/804
5,516,320 A *	5/1996	LaPlant	441/106

5,685,753 A *	11/1997	Canela et al.	441/129
5,791,958 A *	8/1998	Yeung	441/130
5,921,898 A *	7/1999	McDonald	482/111
D448,060 S	9/2001	Wilbanks	
D457,588 S	5/2002	Wilbanks	
D464,101 S	10/2002	Wilbanks	
D464,391 S	10/2002	Wilbanks	
D490,135 S	5/2004	Henson	
7,438,619 B2	10/2008	Staver	
D582,501 S	12/2008	Brack	
D583,894 S	12/2008	Weedman	
D658,734 S	5/2012	Segarra-Soberanis	
D674,854 S	1/2013	Steger	
D706,374 S	6/2014	Rietz	

\* cited by examiner

*Primary Examiner* — Zenia Bennett

(74) *Attorney, Agent, or Firm* — W. Charles Ehlers; Daniel F. Nesbitt; Hasse & Nesbitt LLC

(57) **CLAIM**

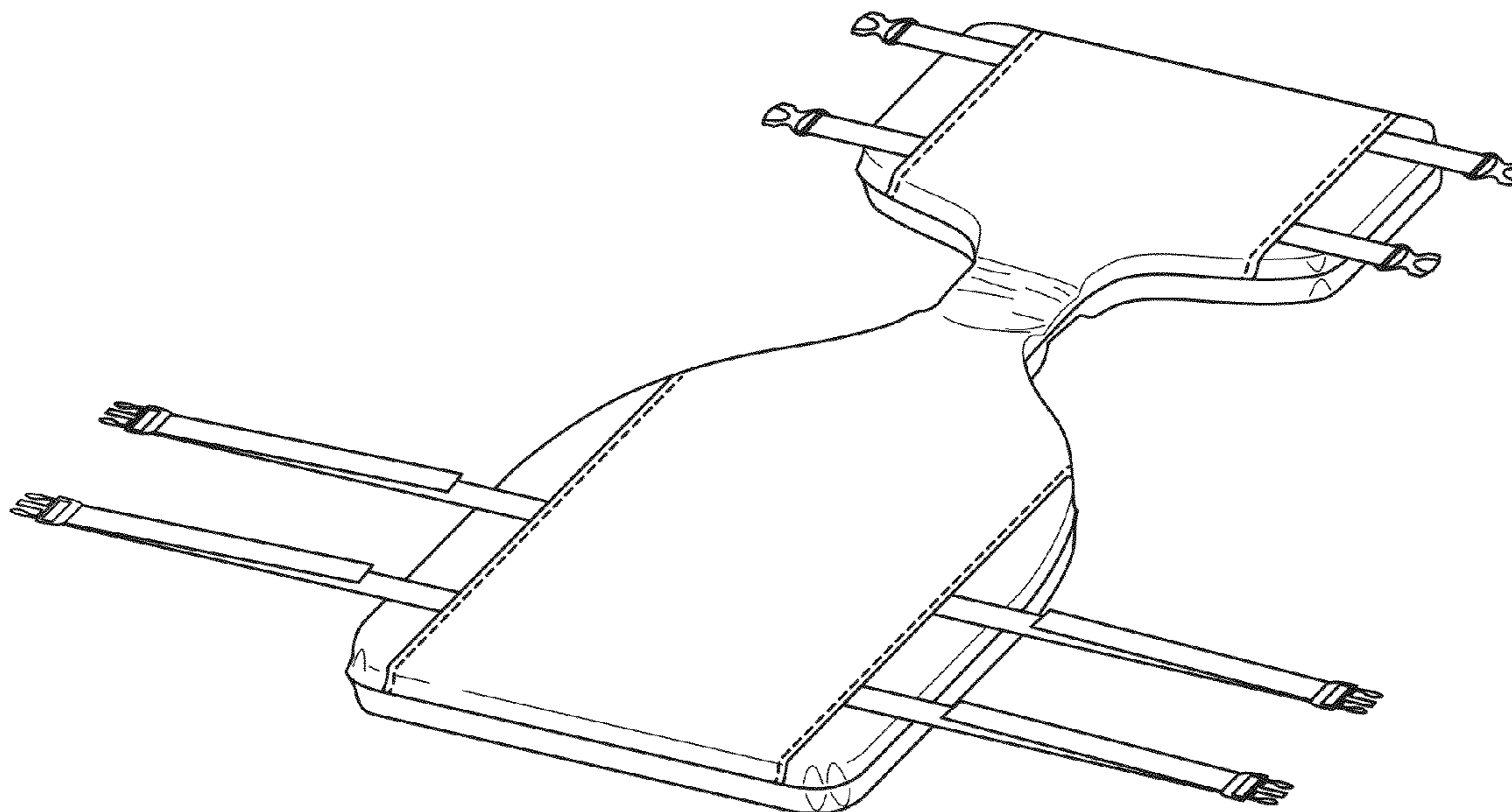
The ornamental design for a flotation device, as shown and described.

**DESCRIPTION**

FIG. 1 is an isometric view of the flotation device of the present invention;  
FIG. 2 is a top view thereof;  
FIG. 3 is a bottom view thereof;  
FIG. 4 is a right side view thereof;  
FIG. 5 is a left side view thereof;  
FIG. 6 is a front view thereof; and,  
FIG. 7 is a bottom view thereof.

The broken lines in the drawings are for illustrative purposes only and form no part of the claimed design.

**1 Claim, 5 Drawing Sheets**



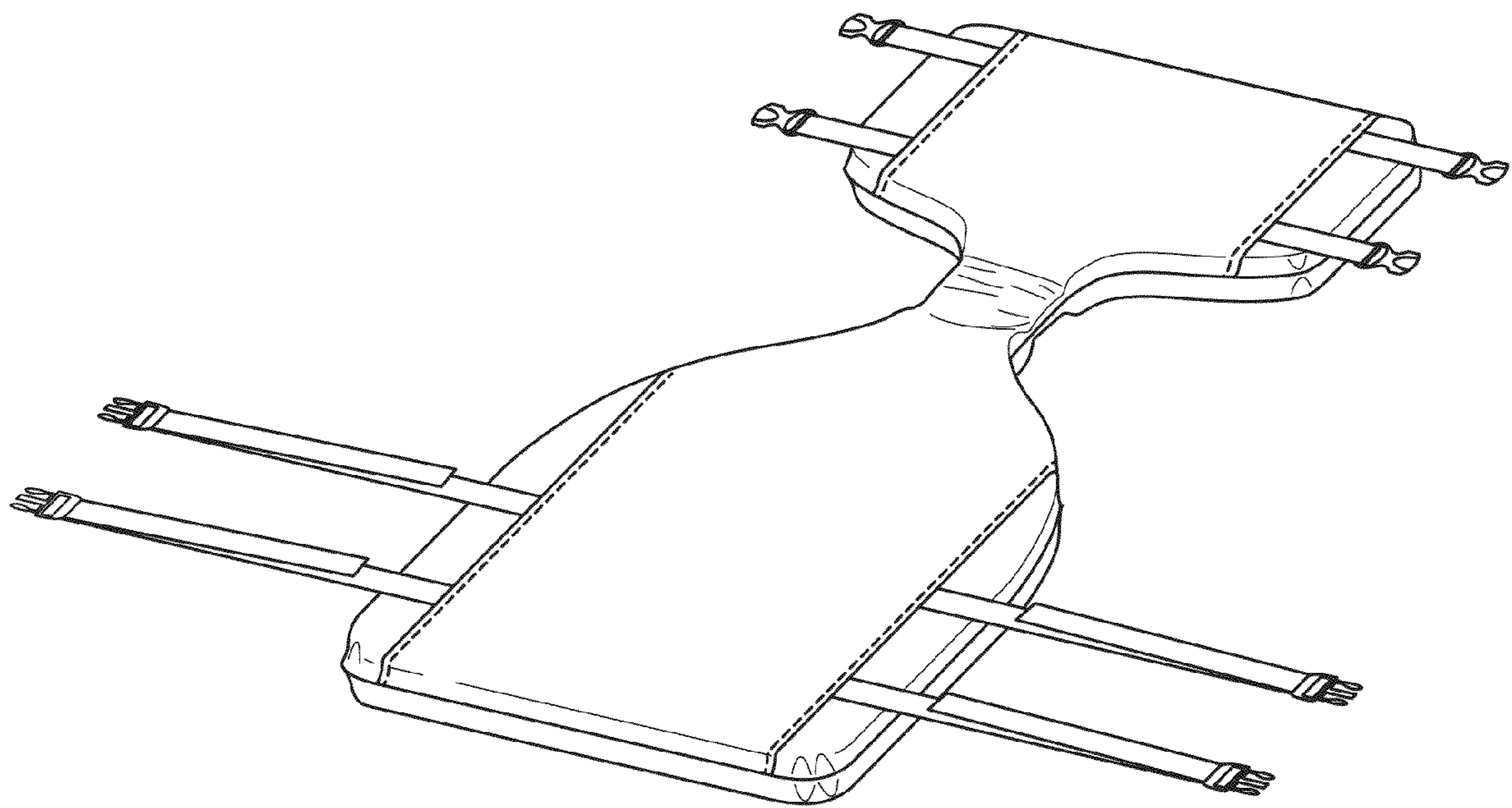


Fig. 1

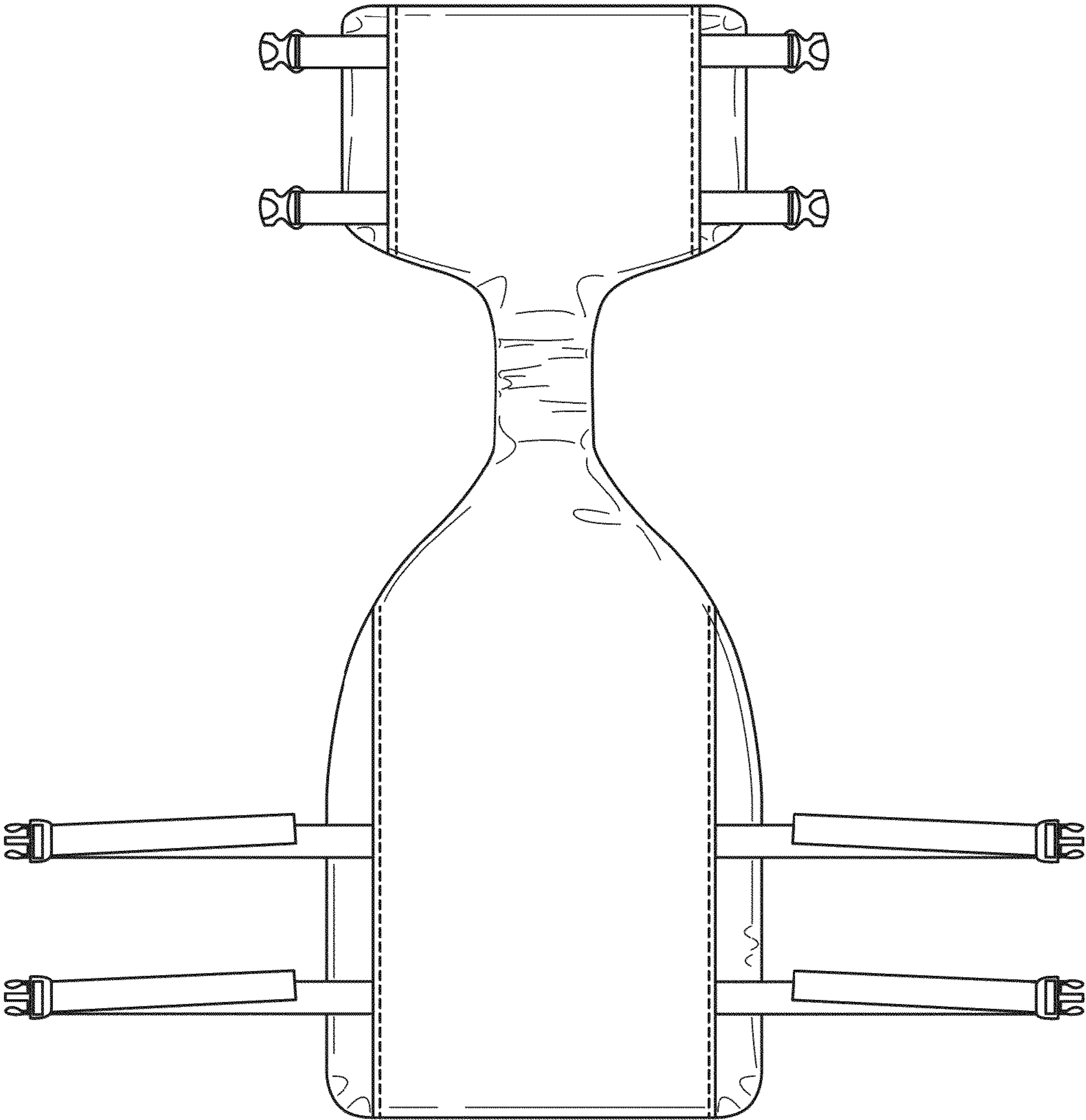


Fig. 2

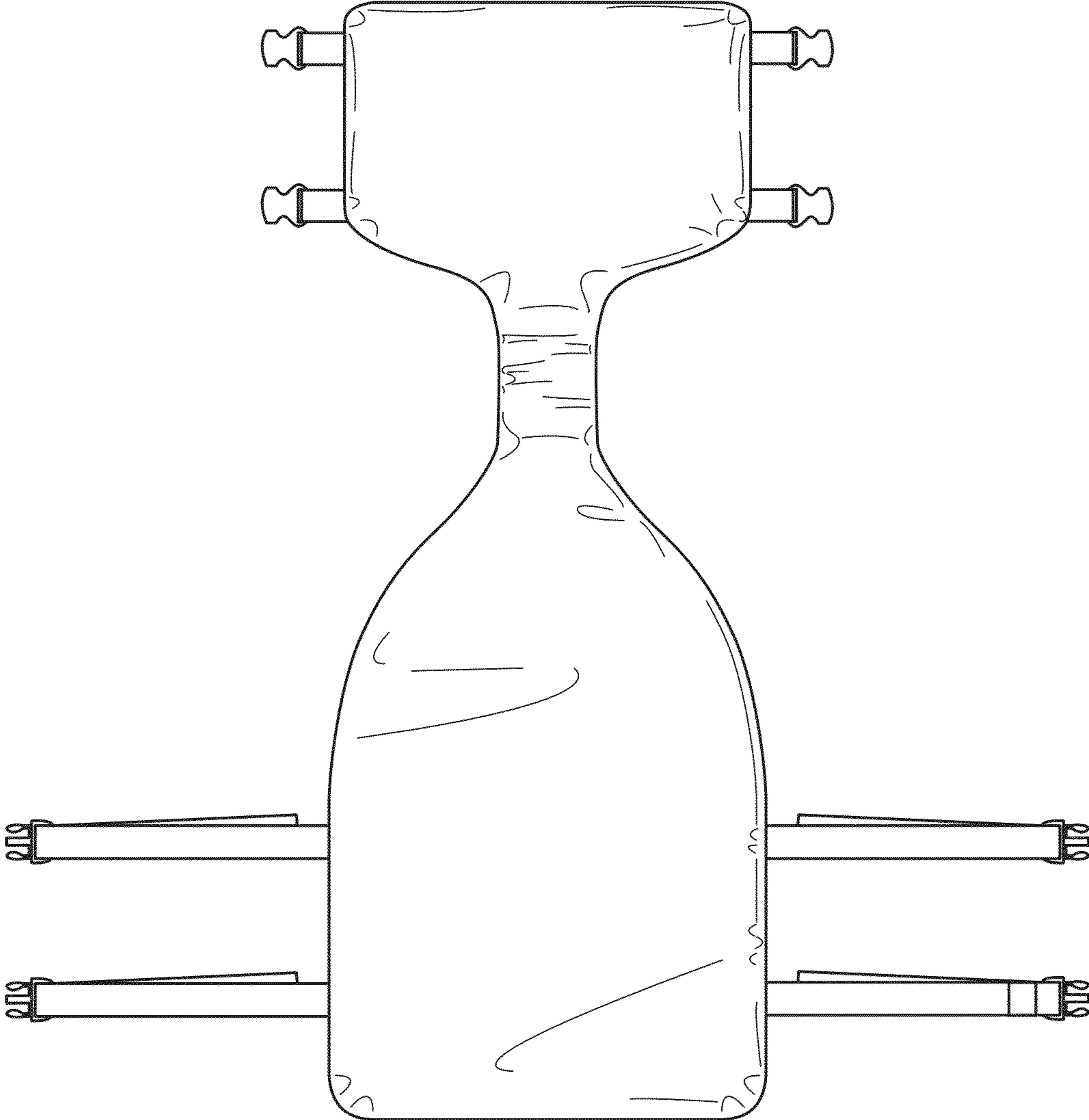


Fig. 3

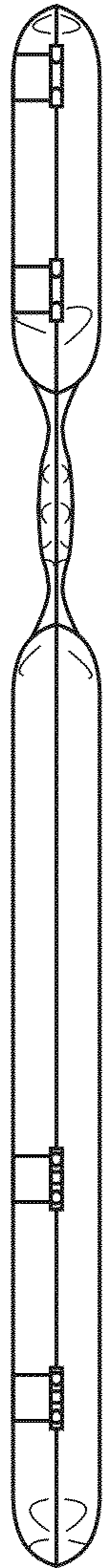


Fig. 4



Fig. 5





Fig. 6



Fig. 7