



US00D727448S

(12) **United States Design Patent**  
**Greenwood**

(10) **Patent No.:** **US D727,448 S**

(45) **Date of Patent:** **\*\* Apr. 21, 2015**

(54) **PUTTING CUP**

(71) Applicant: **Richard S. Greenwood**, Troy, MI (US)

(72) Inventor: **Richard S. Greenwood**, Troy, MI (US)

(\*\*) Term: **14 Years**

(21) Appl. No.: **29/442,984**

(22) Filed: **Jun. 26, 2013**

(51) **LOC (10) Cl.** ..... **21-02**

(52) **U.S. Cl.**  
USPC ..... **D21/790**

(58) **Field of Classification Search**

USPC ..... D21/302, 303, 305, 698, 699, 700, 716,  
D21/721, 789, 790, 791; 473/172, 173, 174,  
473/180-195, 197, 278, 431, 434, 435, 476,  
473/478, 150, 158, 159; 273/348, 398, 400,  
273/401, 410

See application file for complete search history.

(56) **References Cited**

**U.S. PATENT DOCUMENTS**

1,295,437	A *	2/1919	Cogswell	.....	273/127 D
1,798,140	A *	3/1931	Byers	.....	473/184
1,887,642	A *	11/1932	Howland	.....	473/189
D164,166	S *	8/1951	Griswold	.....	D21/790
D203,754	S *	2/1966	Ganger	.....	D21/790
4,055,349	A *	10/1977	Hunt et al.	.....	473/183

D477,044	S *	7/2003	Davis	.....	D21/790
D519,181	S *	4/2006	Jones	.....	D21/791
D568,432	S *	5/2008	Rubino	.....	D21/790
D606,612	S *	12/2009	Huang	.....	D21/790
D635,632	S *	4/2011	Rymniak	.....	D21/791
2008/0026862	A1 *	1/2008	Rosen	.....	473/157

\* cited by examiner

*Primary Examiner* — Catherine Tuttle

(57) **CLAIM**

The ornamental design for a putting cup, as shown and described.

**DESCRIPTION**

FIG. 1 is a perspective view of a putting cup showing my new design;  
FIG. 2 is a front view thereof;  
FIG. 3 is a bottom view thereof;  
FIG. 4 is a right side view thereof;  
FIG. 5 is a left side view thereof; and  
FIG. 6 is a top view thereof; and  
FIG. 7 is a rear view thereof.

The broken lines shown in FIGS. 1 and 2 are included for the purpose of illustrating elements of the putting cup that form no part of the claimed design.

The stippling represents a surface contrast consonant with the visual appearance shown in the drawings.

**1 Claim, 3 Drawing Sheets**

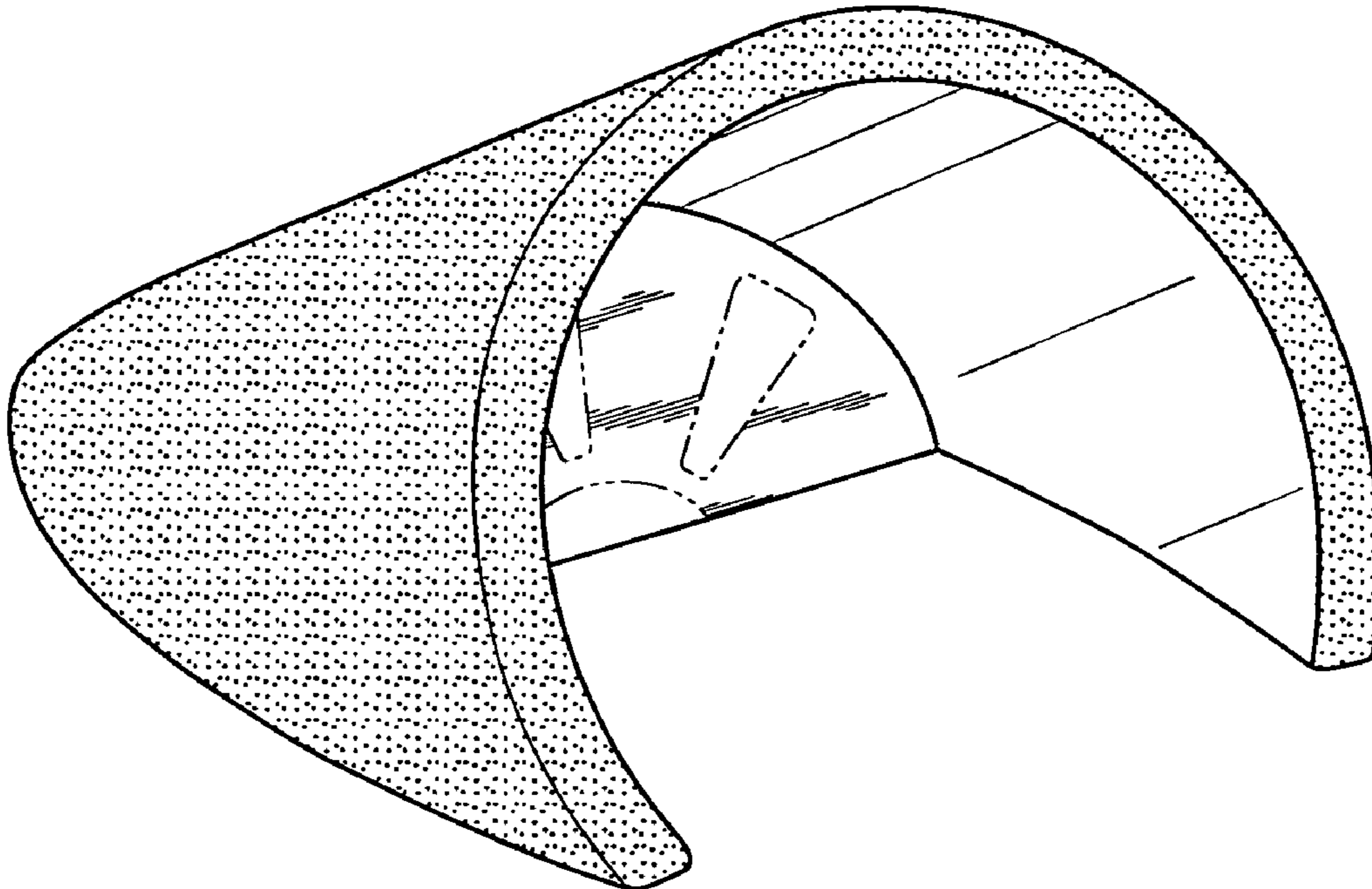


FIG. 1

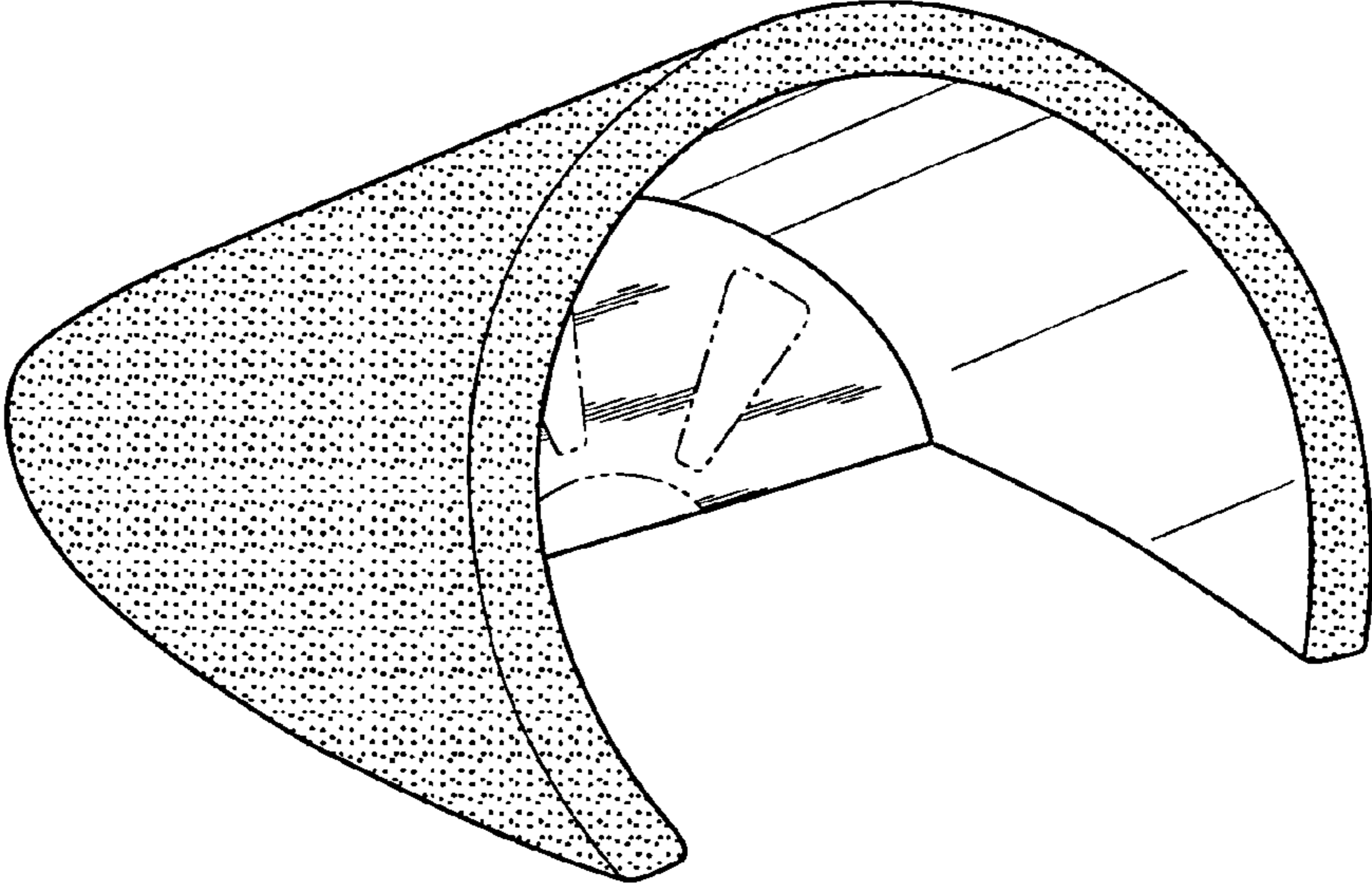
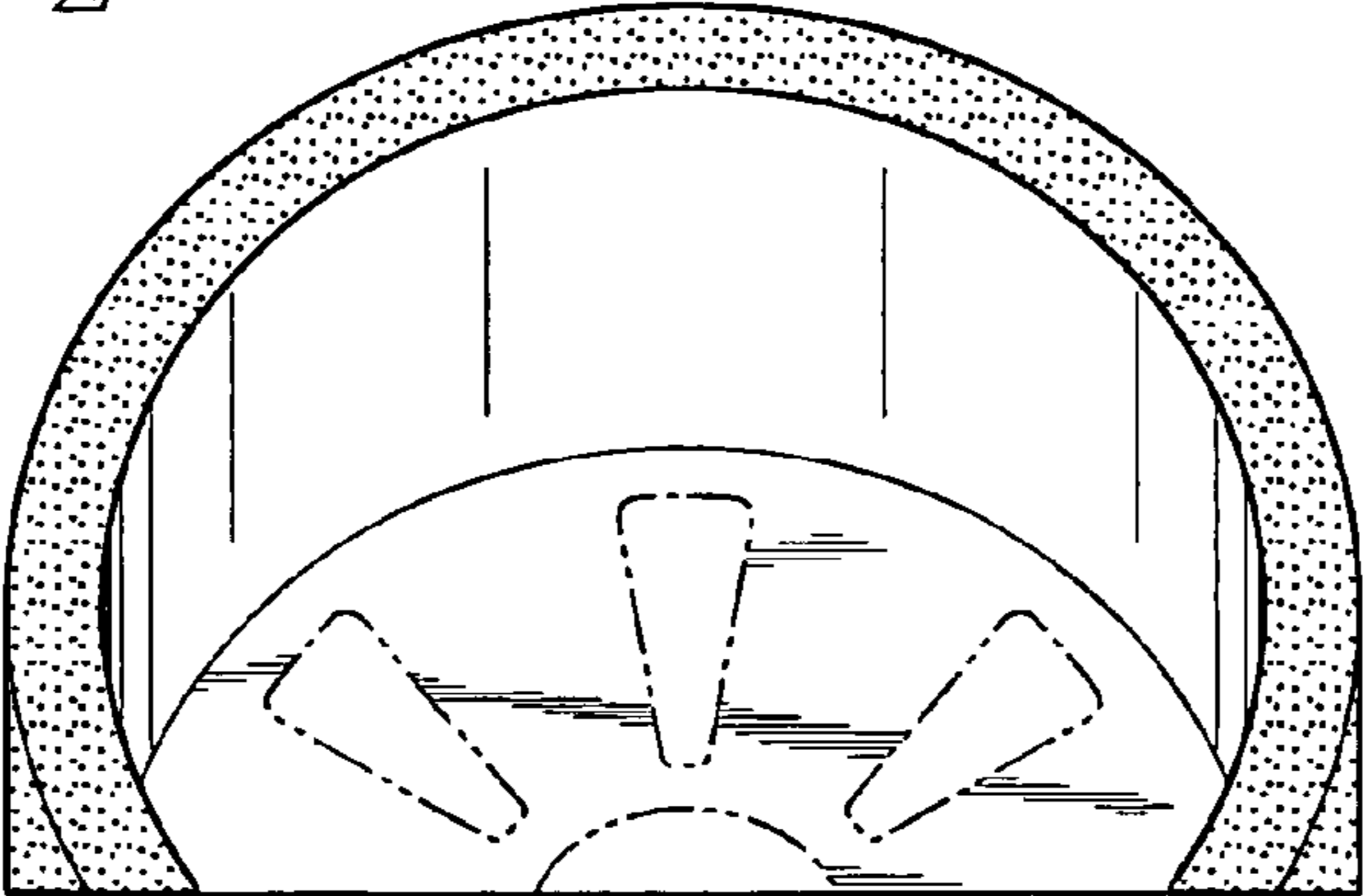
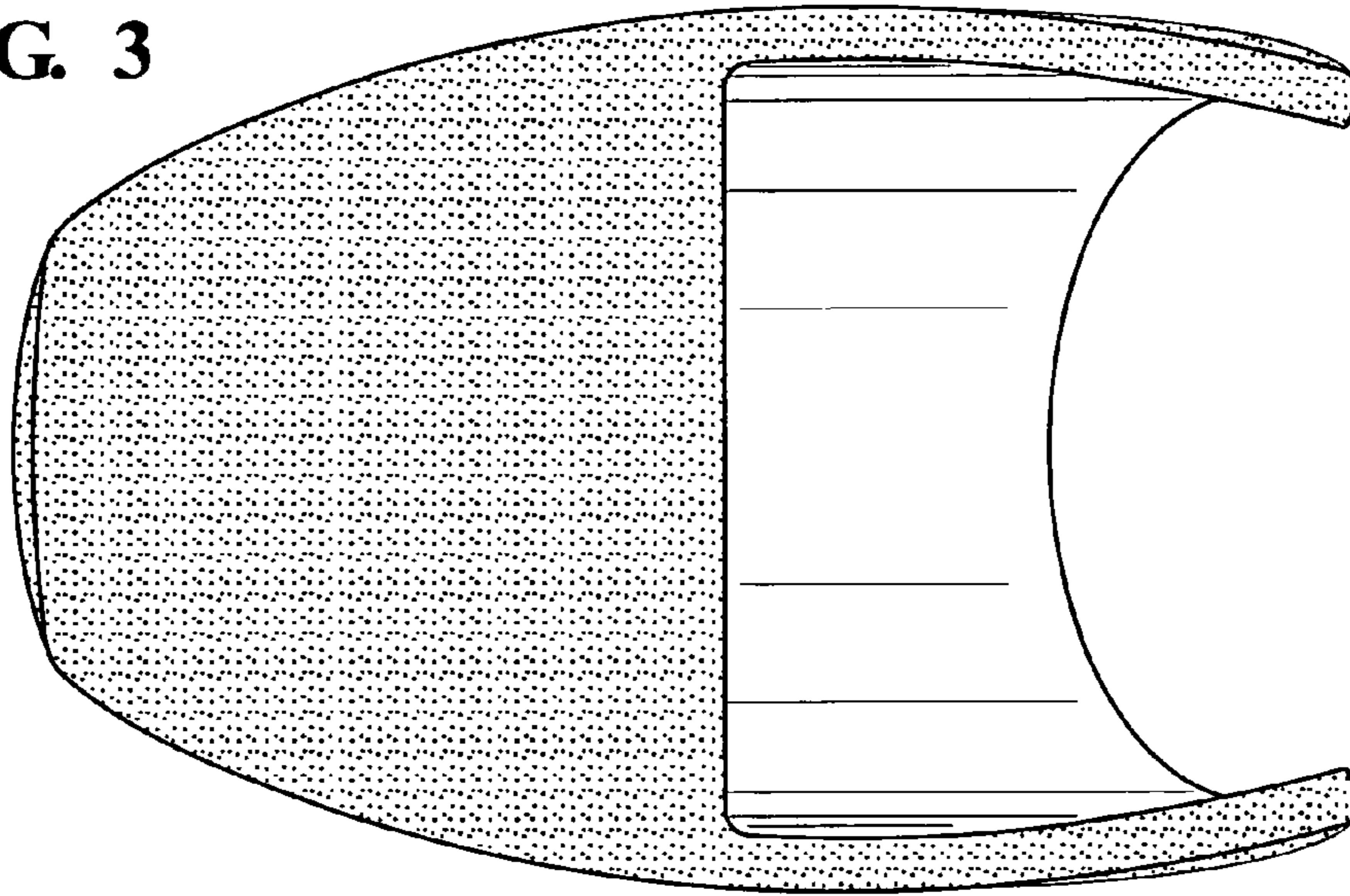


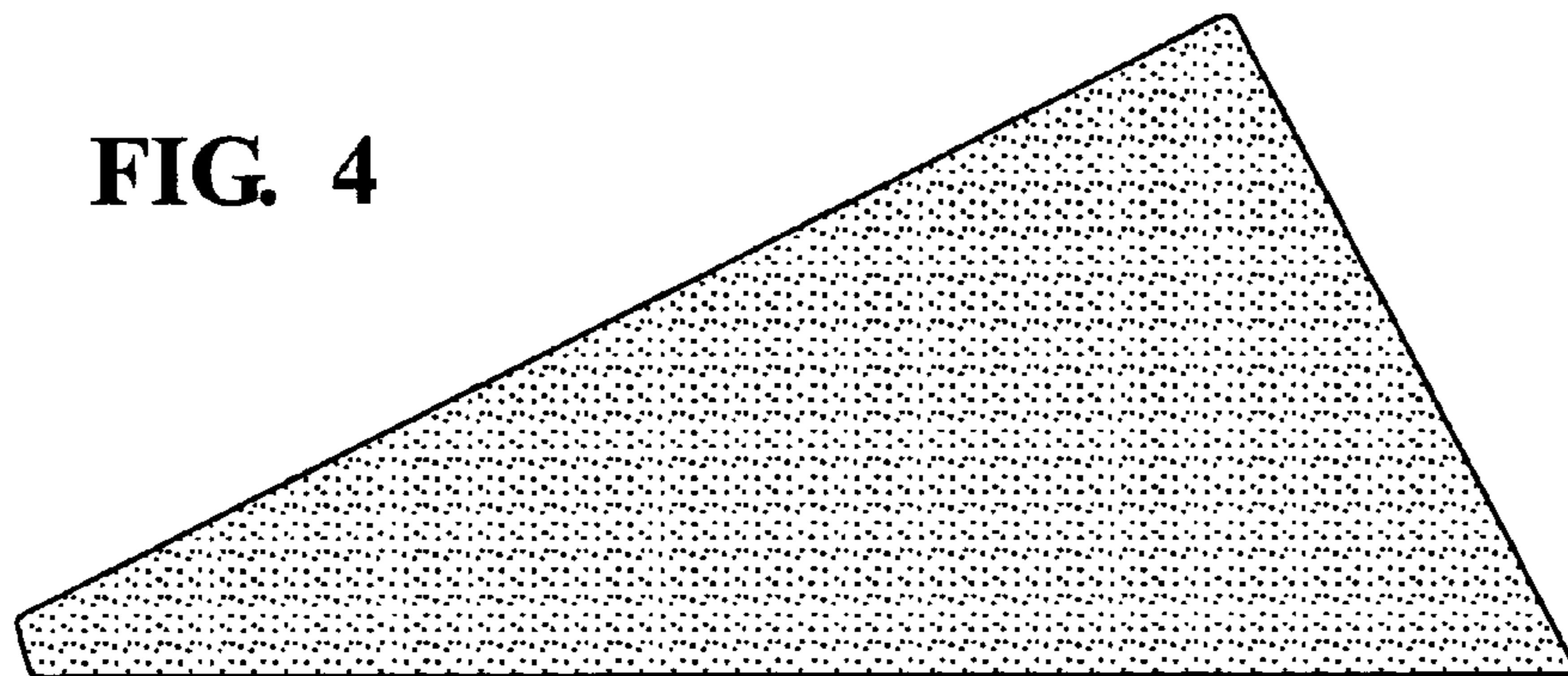
FIG. 2



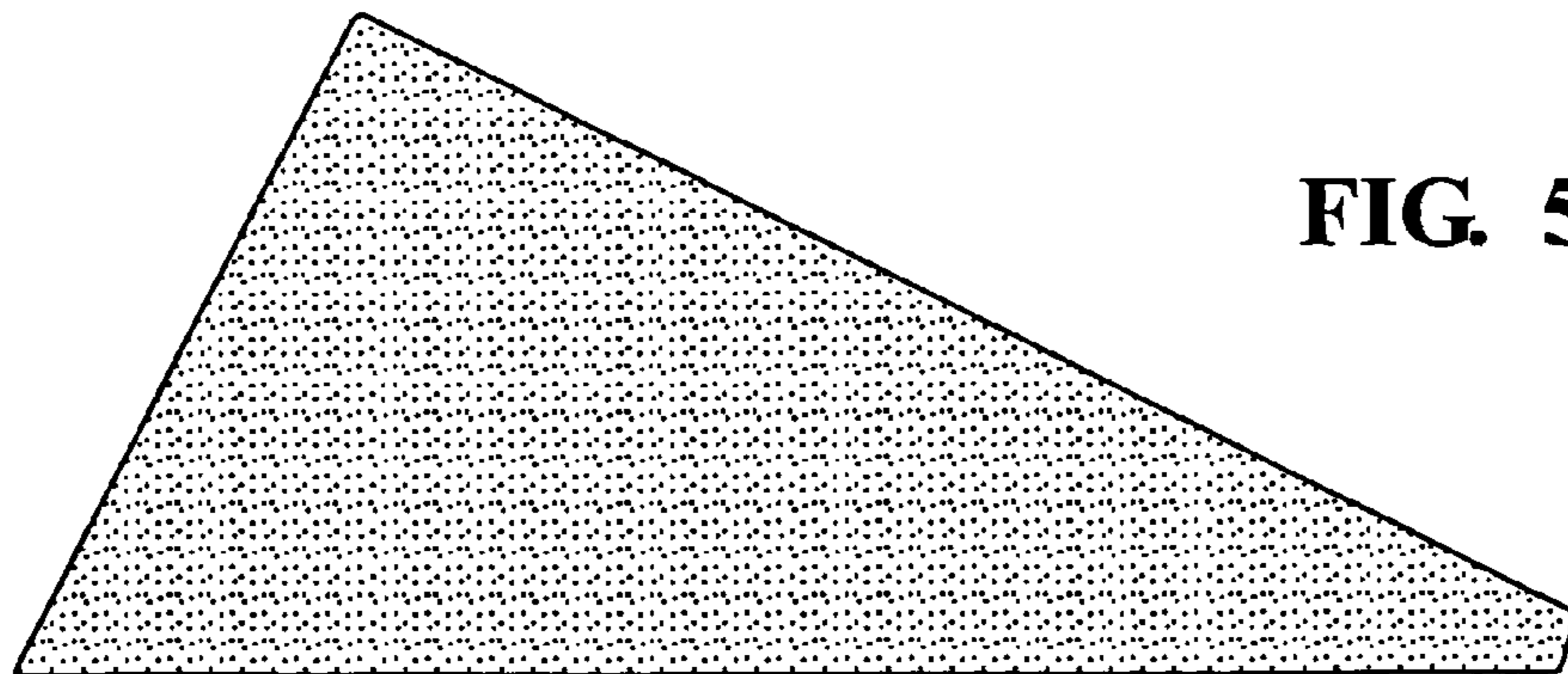
**FIG. 3**



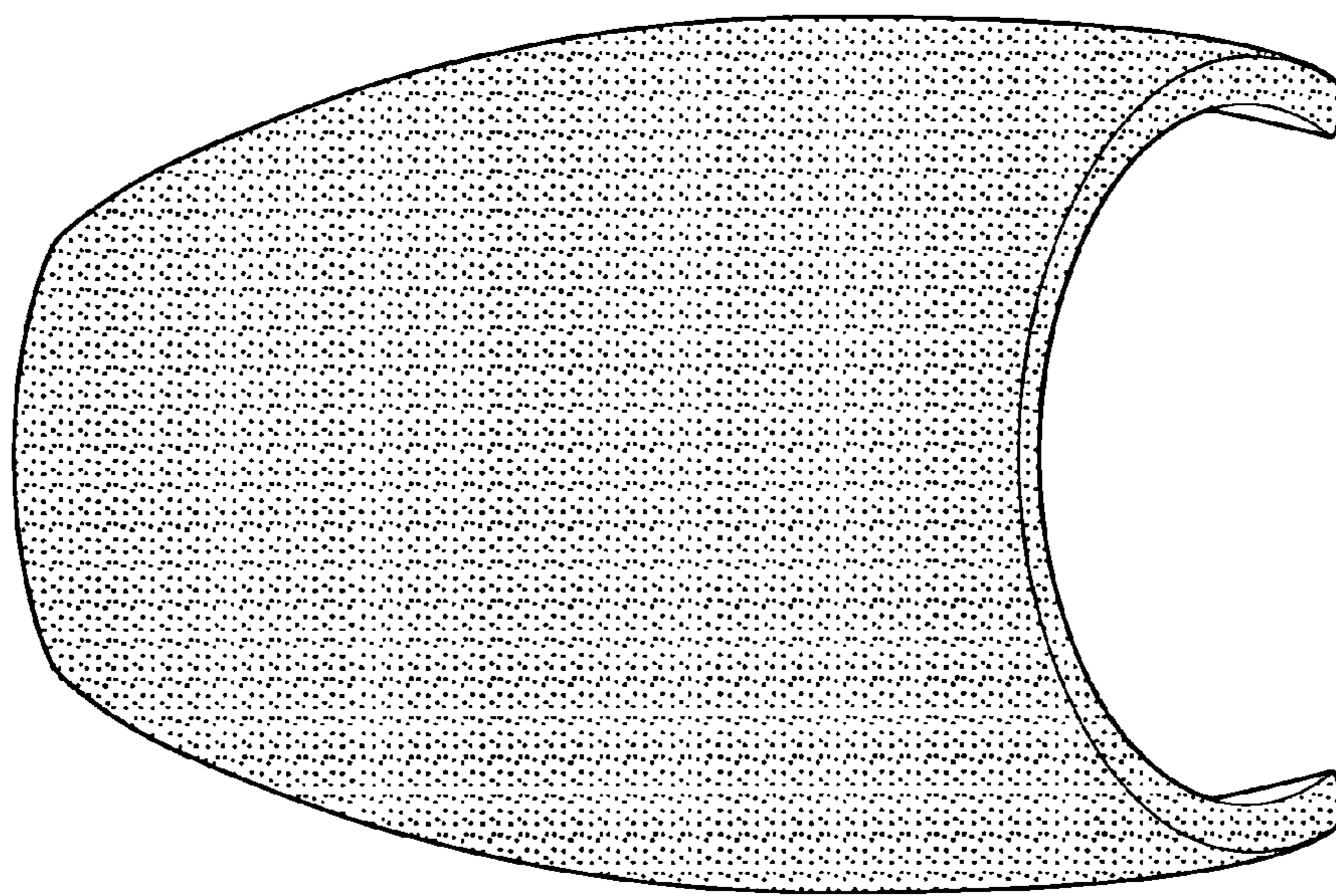
**FIG. 4**



**FIG. 5**



**FIG. 6**



**FIG. 7**

