



US00D727447S

(12) **United States Design Patent**  
**Sangimino**

(10) **Patent No.:** **US D727,447 S**  
(45) **Date of Patent:** **\*\* Apr. 21, 2015**

- (54) **BOCCE BALL RETRIEVER**
- (71) Applicant: **John P. Sangimino**, Lewisville, NC  
(US)
- (72) Inventor: **John P. Sangimino**, Lewisville, NC  
(US)
- (\*\*) Term: **14 Years**
- (21) Appl. No.: **29/500,756**
- (22) Filed: **Aug. 28, 2014**
- (51) **LOC (10) Cl.** ..... **21-02**
- (52) **U.S. Cl.**  
USPC ..... **D21/721**
- (58) **Field of Classification Search**  
USPC ..... D21/312, 321, 385, 457, 698, 715, 721,  
D21/722, 723, 728, 733-752, 753, 759, 789,  
D21/793, 796; D8/11, 14; 473/226, 235,  
473/259, 286, 298, 299, 329-333, 503, 505,  
473/514, 558, 559-563, 569; 294/1.4, 19.2,  
294/50.6-50.9, 181, 99.1, 99.2, 100;  
273/108.5, 129 R, 129 L, 129 P, 447  
See application file for complete search history.

D424,144 S 5/2000 Sullivan ..... D21/721  
D455,804 S 4/2002 Allen ..... D21/721  
6,485,075 B1 \* 11/2002 McClain ..... 294/19.2  
6,702,688 B2 \* 3/2004 Hale ..... 473/226

(Continued)

FOREIGN PATENT DOCUMENTS

EP 0088732 9/1983

OTHER PUBLICATIONS

Two (2) page printout of webpage: "http://www.joyofbocce.com/BocceCaddy,ivnu" showing "The Bocce Caddy" created by Michael Delucchi and a four (4) page printout from the U.S. Patent and Trademark Office showing the mark "Bocce Caddy" and specimen filed therewith for U.S. Appl. No. 76/690,554 of Michael Delucchi dated respectively Jun. 16, 2008 and Jun. 5, 2008.

Three (3) page of webpage: http://www.myumbrellashop.com/Bocce-Ball-Retrievers-Bocce-Ball-Retrievers-Bocce-Ball-Retrievers.htm showing Bocce Ball Retrievers, Copyright 2010-2014 MyUmbrellaShop.com.

(Continued)

*Primary Examiner* — Catherine Tuttle  
(74) *Attorney, Agent, or Firm* — Blake P. Hurt

(56) **References Cited**

U.S. PATENT DOCUMENTS

- 912,059 A \* 2/1909 Bartholomew ..... 273/129 R
- 1,719,400 A \* 7/1929 Hampson ..... 172/372
- 2,239,391 A \* 4/1941 Krause ..... 273/129 R
- D151,821 S \* 11/1948 Gunklach ..... D21/726
- 2,577,189 A \* 12/1951 Hammett ..... 273/129 R
- 3,554,549 A \* 1/1971 Grabowski ..... 273/108.1
- D246,006 S \* 10/1977 Burr et al. .... D21/457
- 4,121,833 A \* 10/1978 Prueter ..... 473/330
- 4,123,056 A \* 10/1978 Nakamatsu ..... 473/234
- 4,221,415 A \* 9/1980 Ganz ..... 294/1.4
- 4,290,606 A \* 9/1981 Maxwell ..... 473/569
- D300,339 S \* 3/1989 Tyler ..... D21/735
- 4,913,677 A \* 4/1990 Brasier et al. .... 446/453
- 5,165,744 A 11/1992 Vogrin ..... 294/19.2
- D360,918 S 8/1995 Carlson ..... D21/206
- D367,682 S \* 3/1996 Hermsmeyer ..... D21/457
- D415,233 S \* 10/1999 Bernatz ..... D21/789

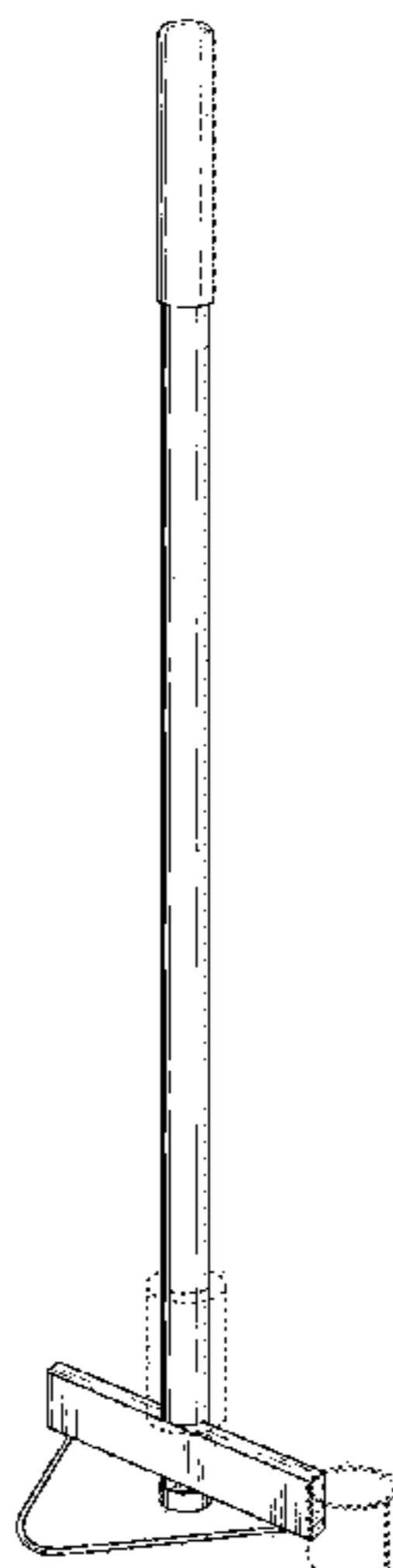
(57) **CLAIM**

The ornamental design for a bocce ball retriever, as shown and described.

**DESCRIPTION**

FIG. 1 is a top, front, left side perspective view of a bocce ball retriever showing my new design;  
FIG. 2 is a front elevational view thereof;  
FIG. 3 is a left side elevational view thereof, the right side elevational view being a mirror image thereof;  
FIG. 4 is a rear elevational view thereof;  
FIG. 5 is a top plan view thereof; and,  
FIG. 6 is a bottom plan view thereof.  
The broken lines in FIG. 1 represent environmental structure and form no part of the claimed design.

**1 Claim, 3 Drawing Sheets**



(56)

**References Cited**

U.S. PATENT DOCUMENTS

D631,523	S *	1/2011	Pingalore .....	D21/789
D667,905	S	9/2012	Urioste .....	D21/721
D668,306	S	10/2012	Urioste .....	D21/721
2008/0207350	A1 *	8/2008	Jung .....	473/328
2010/0314893	A1 *	12/2010	Pearson et al. ....	294/19.2

OTHER PUBLICATIONS

Three (3) page printout from webpage: <http://www.amazon.com/Church-Bocce-Ball-Retriever/dp/BOO1HUC2SA%3FSubscriptionId%3DAKIAJ3> showing a “Bocce Ball Retriever”, undated, however a customer review of this product is found on p. 2 and is dated May 19, 2013.

\* cited by examiner

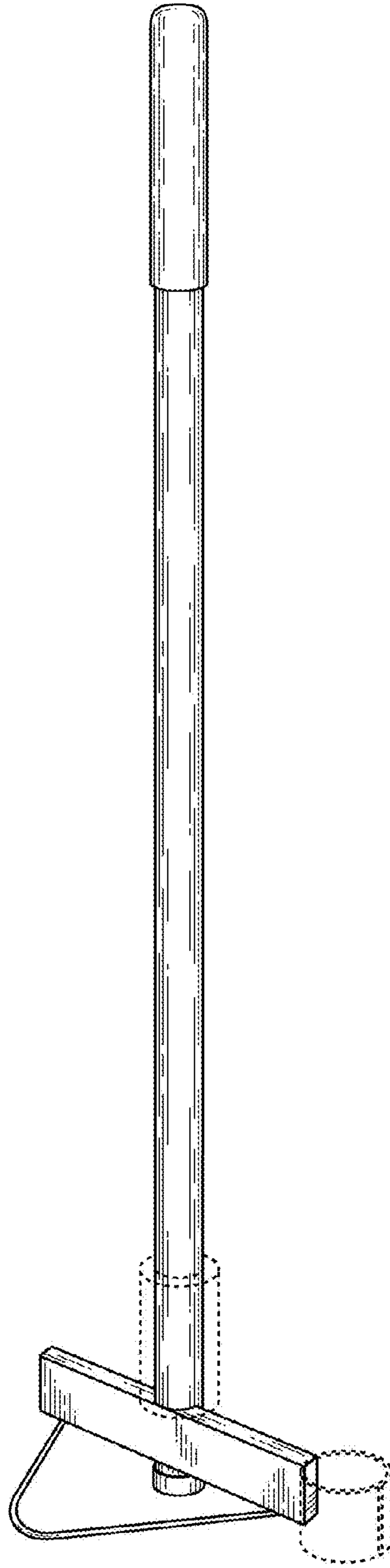


Fig. 1

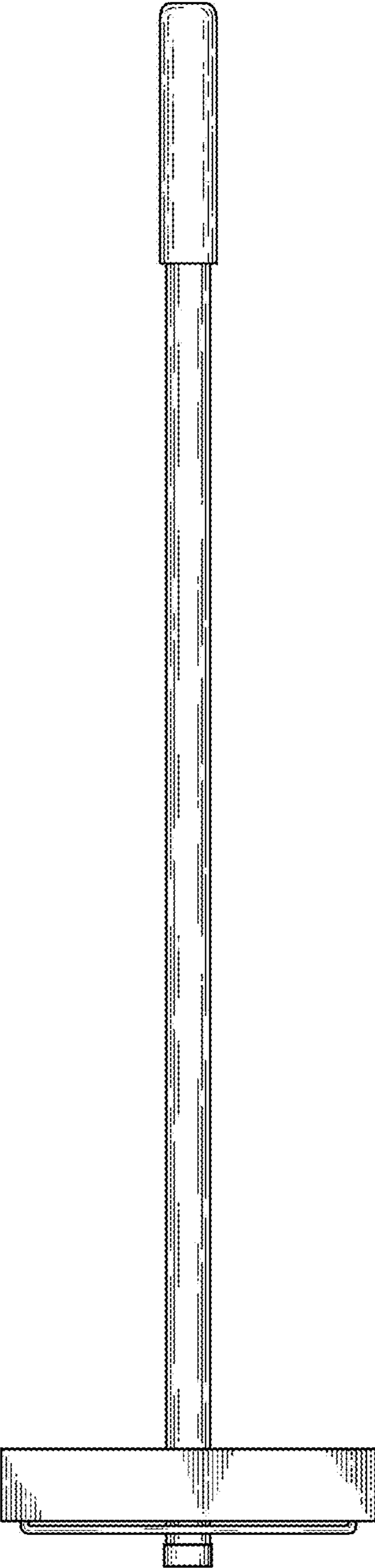


Fig. 2

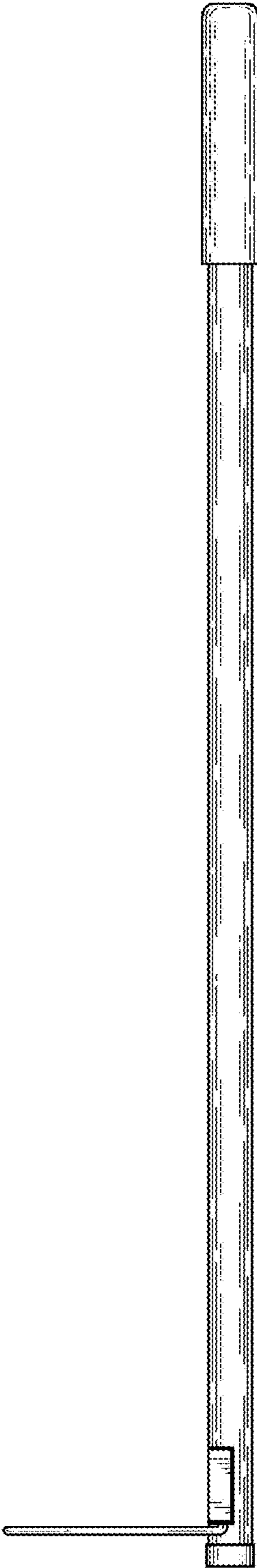


Fig. 3

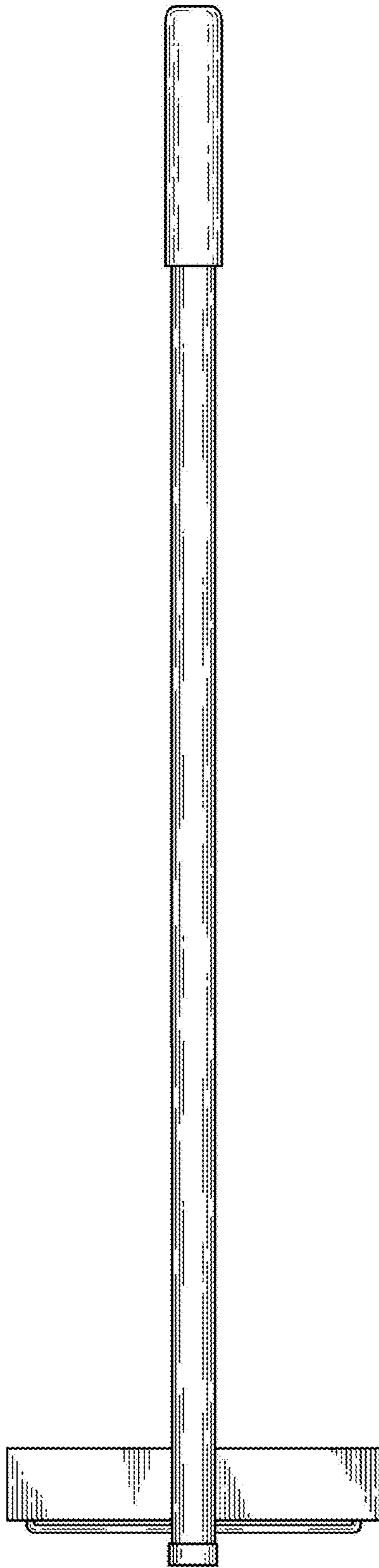


Fig. 4

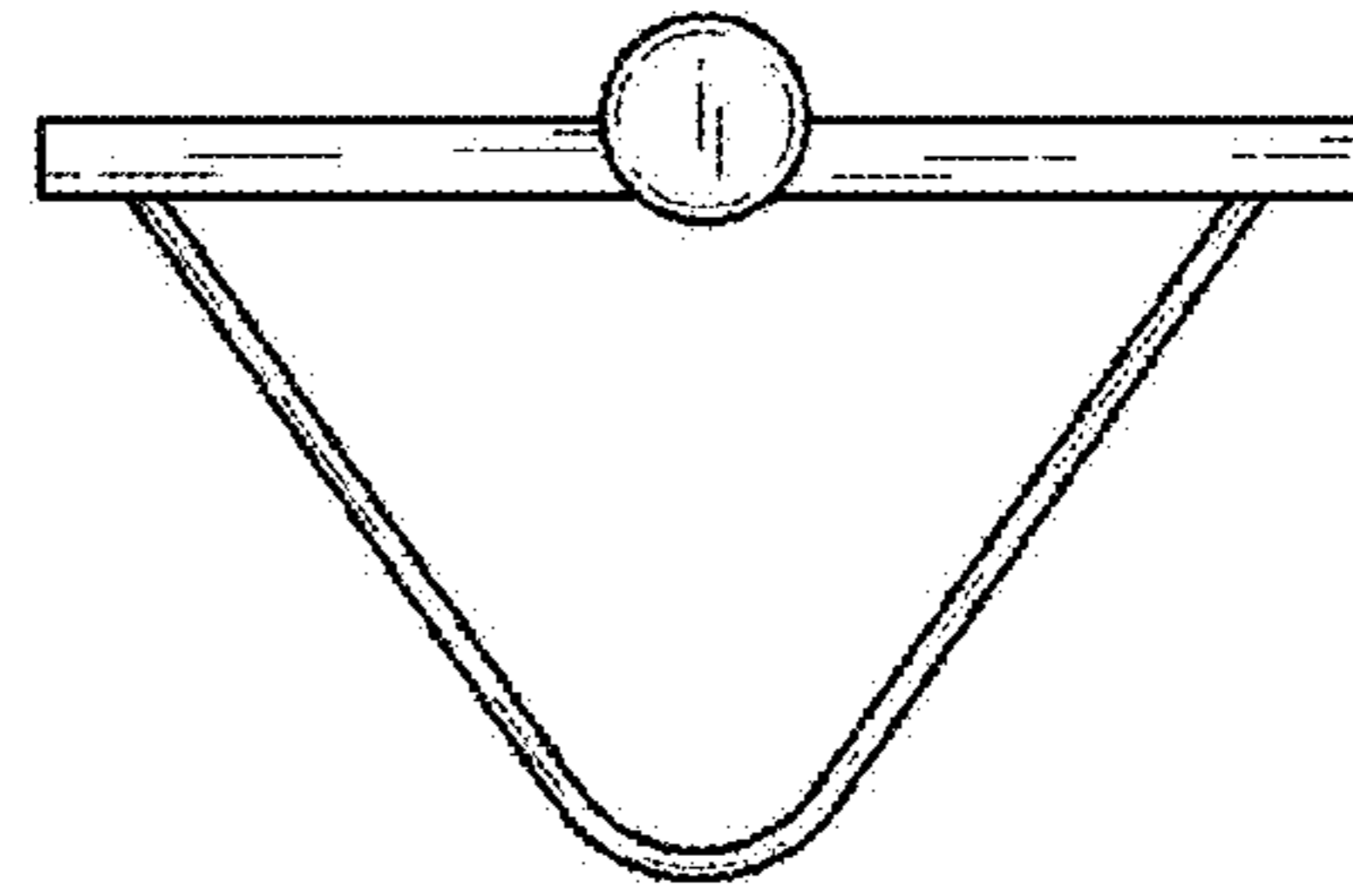


Fig. 5

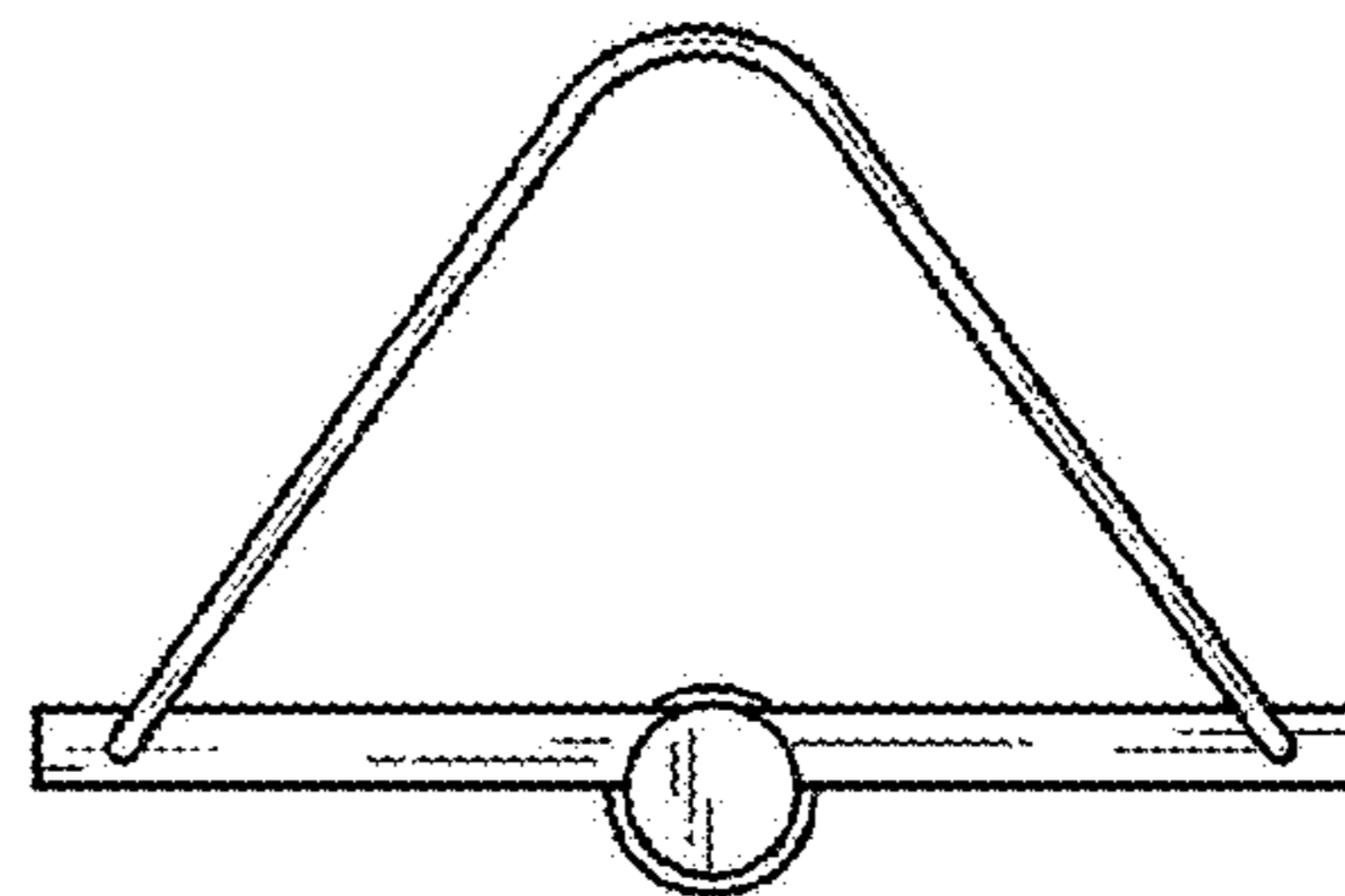


Fig. 6