



US00D727444S

(12) **United States Design Patent**
Dixon

(10) **Patent No.:** **US D727,444 S**

(45) **Date of Patent:** **** Apr. 21, 2015**

(54) **WORKOUT BENCH**

(71) Applicant: **Dana Kirk Dixon**, Tucson, AZ (US)

(72) Inventor: **Dana Kirk Dixon**, Tucson, AZ (US)

(73) Assignee: **4D Fitness Designs & Equipment LLC**,
Tucson, AZ (US)

(**) Term: **14 Years**

(21) Appl. No.: **29/470,291**

(22) Filed: **Oct. 18, 2013**

(51) **LOC (10) Cl.** **21-02**

(52) **U.S. Cl.**
USPC **D21/690**

(58) **Field of Classification Search**

CPC A63B 2208/0204; A63B 2208/0252;
A63B 21/00065; A63B 21/00047; A63B
21/04; A63B 23/0355; A63B 21/1457; A63B
2208/0238; A63B 2071/027

USPC D21/662, 676, 679, 688-691; 482/35,
482/36, 38-41, 92-101, 104-108, 110, 114,
482/118, 121-124, 130, 140, 146, 148

See application file for complete search history.

(56) **References Cited**

U.S. PATENT DOCUMENTS

D258,975	S	*	4/1981	Irvine	D21/690
4,286,782	A	*	9/1981	Fuhrhop	482/99
4,369,966	A	*	1/1983	Silberman et al.	482/38
4,637,608	A	*	1/1987	Owens et al.	482/138
D327,719	S	*	7/1992	Towley et al.	D21/690
5,304,109	A	*	4/1994	Shockley	482/142

5,306,220	A	*	4/1994	Kearney	482/94
5,447,481	A	*	9/1995	Emter, Jr.	482/104
5,954,620	A	*	9/1999	Albritton	482/104
5,971,898	A	*	10/1999	Schoolfield	482/104
D462,730	S	*	9/2002	Cormier	D21/690
6,447,433	B1	*	9/2002	Reyes	482/104
6,645,130	B2	*	11/2003	Webber	482/142
7,070,543	B1	*	7/2006	Rindfleisch	482/97
2004/0180768	A1	*	9/2004	Almada	482/142
2005/0079964	A1	*	4/2005	Francavilla	482/142
2008/0051267	A1	*	2/2008	Ish	482/99
2010/0267526	A1	*	10/2010	Baschnagel	482/86
2011/0172066	A1	*	7/2011	Roppolo	482/104

* cited by examiner

Primary Examiner — George D Kirschbaum

Assistant Examiner — Jennifer Watkins

(74) *Attorney, Agent, or Firm* — Dale F. Regelman; Quarles & Brady LLP

(57) **CLAIM**

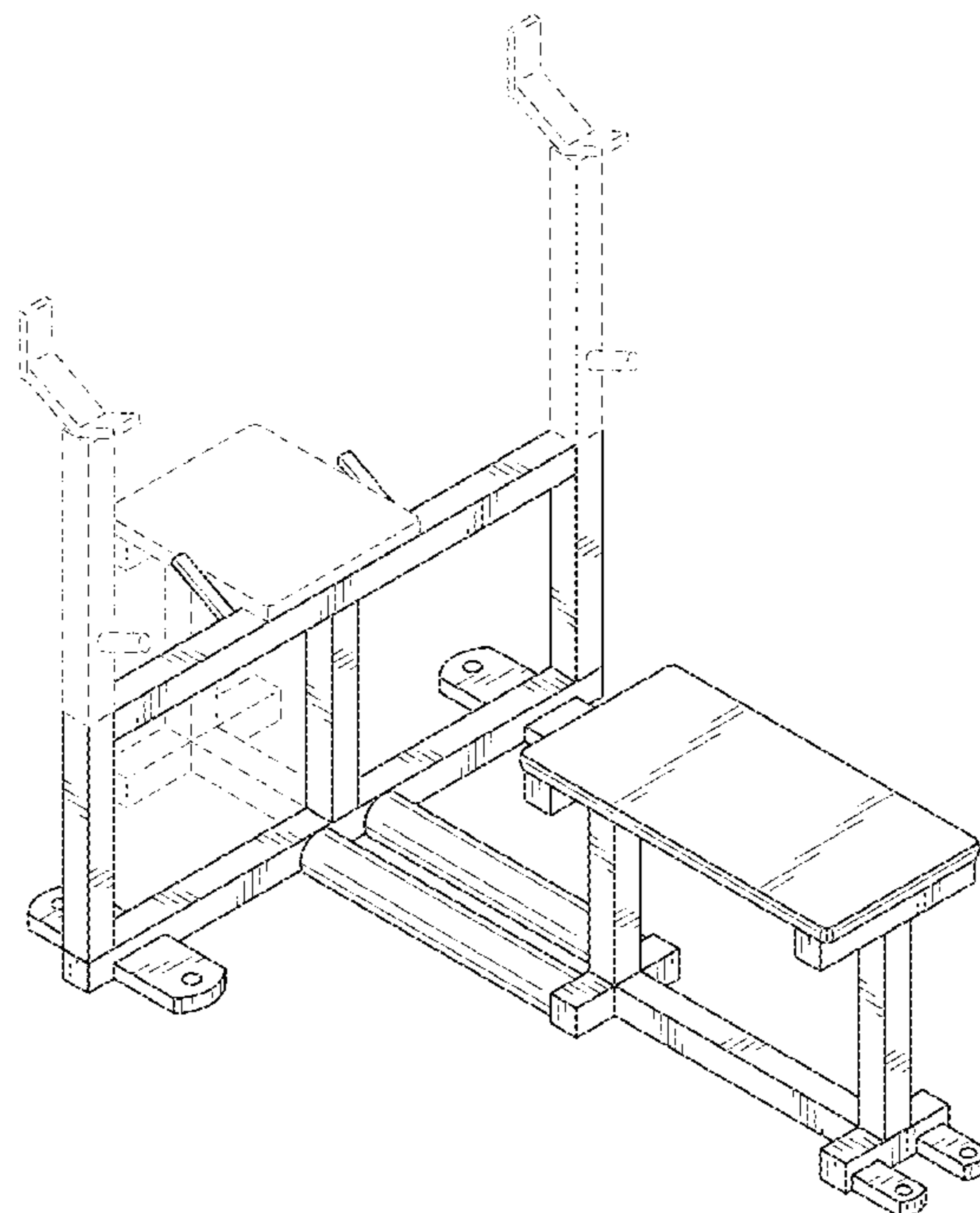
The ornamental design for workout bench, as shown and described.

DESCRIPTION

FIG. 1 is a perspective view of the design of this invention;
FIG. 2 is a top view;
FIG. 3 is a side view;
FIG. 4 is a first end view;
FIG. 5 is a second end view; and,
FIG. 6 is a bottom view.

The broken line showing of a workout bench is for the purpose of illustrating portions of the article that form no part of the claimed design.

1 Claim, 4 Drawing Sheets



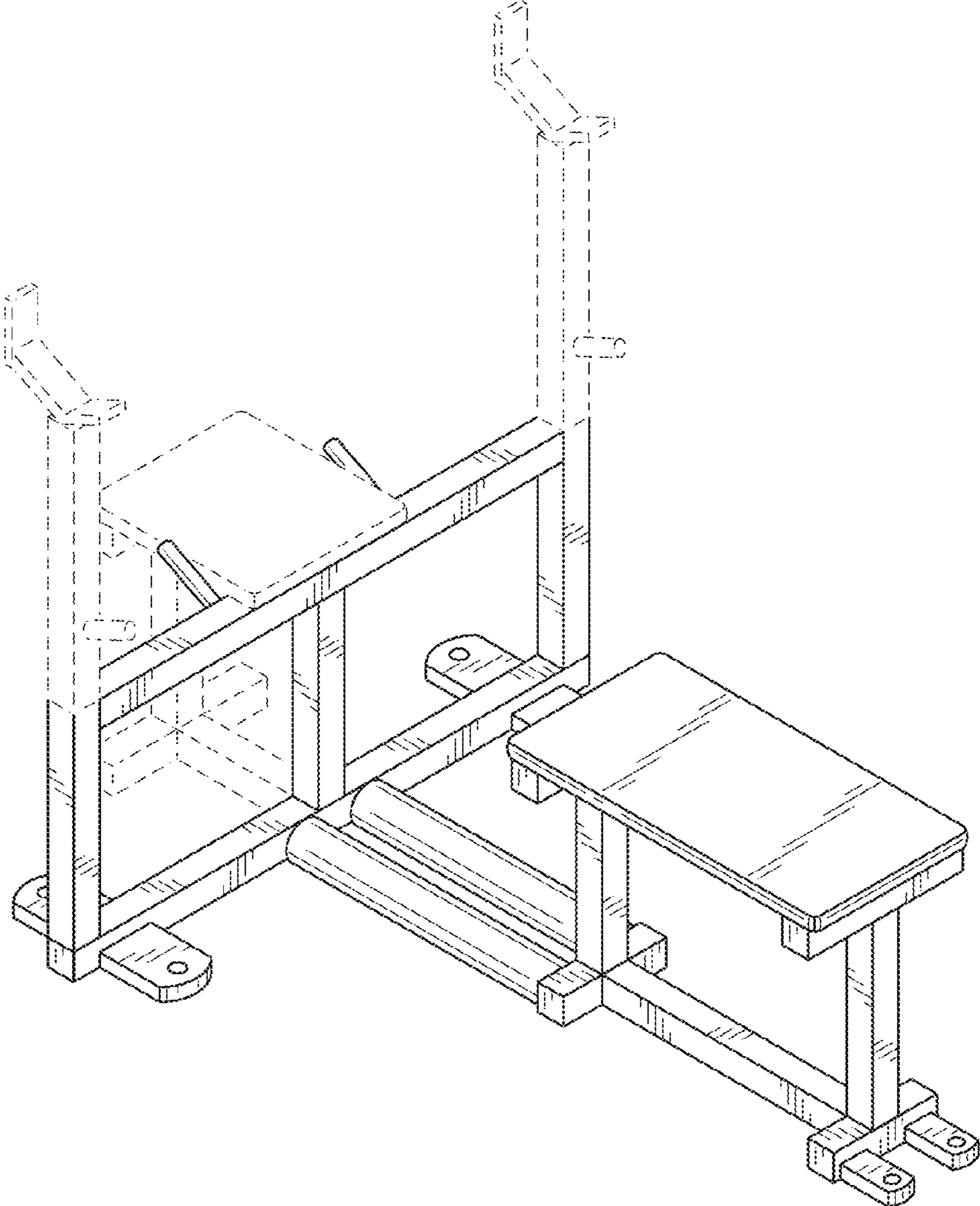


FIG. 1

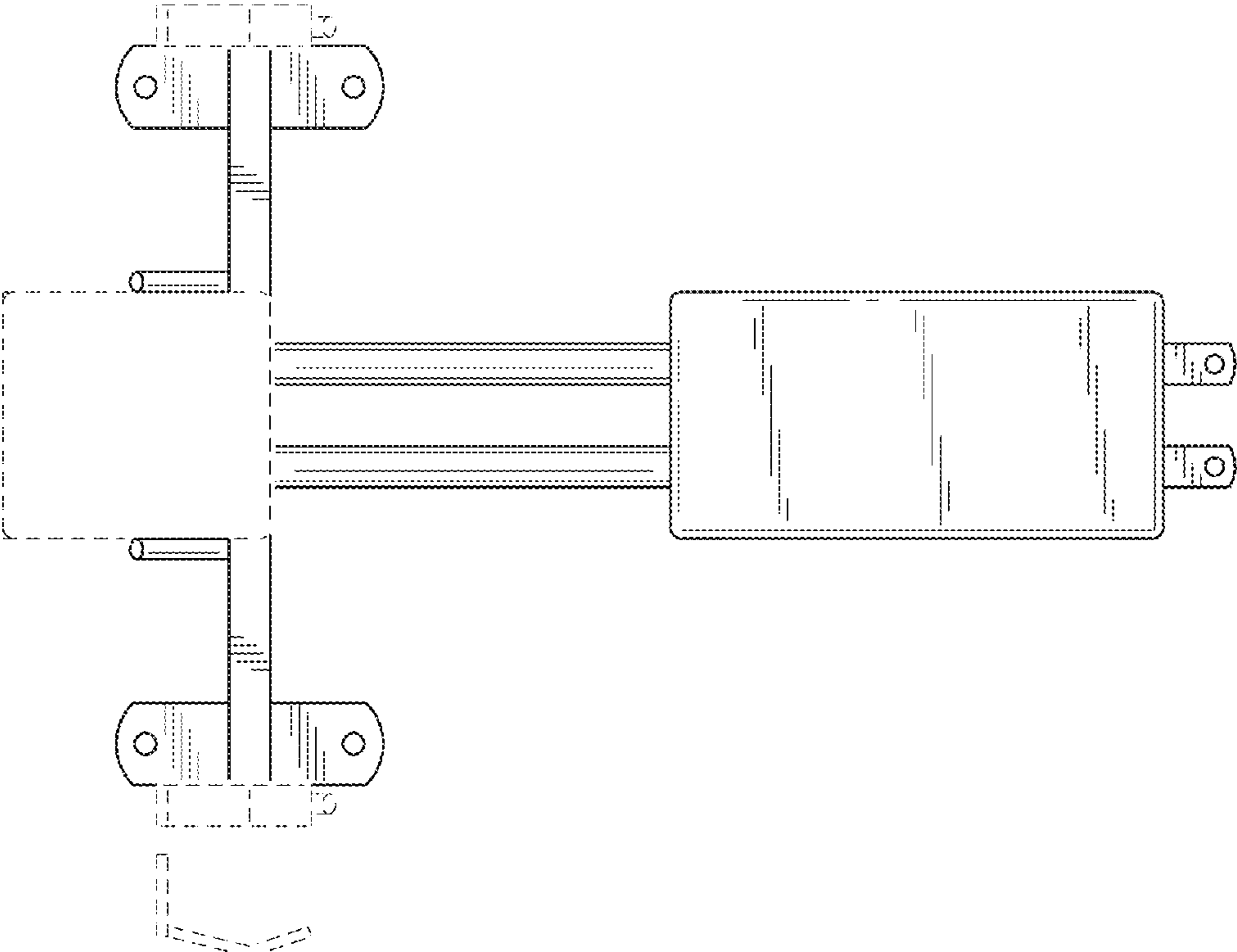


FIG. 2

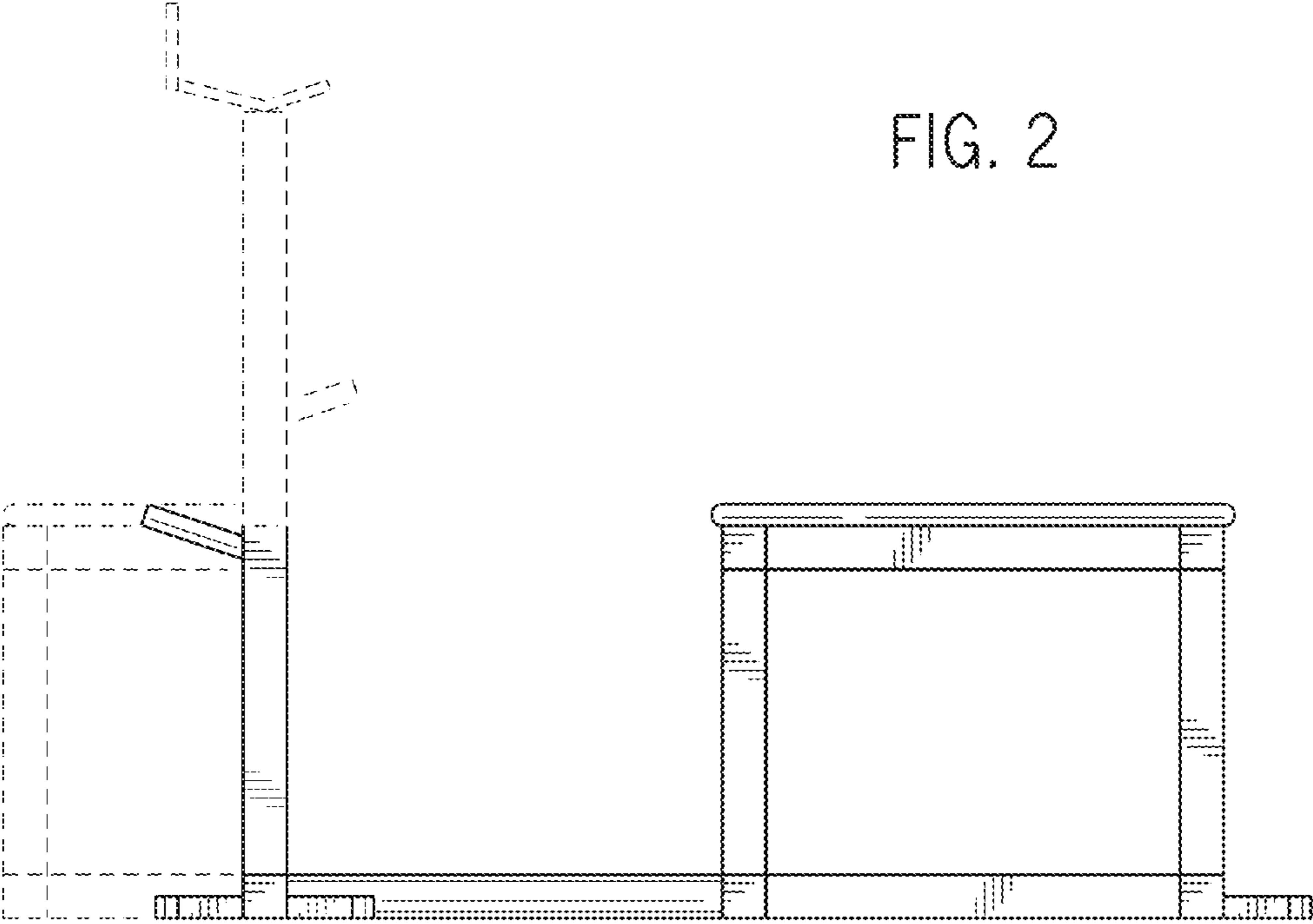


FIG. 3

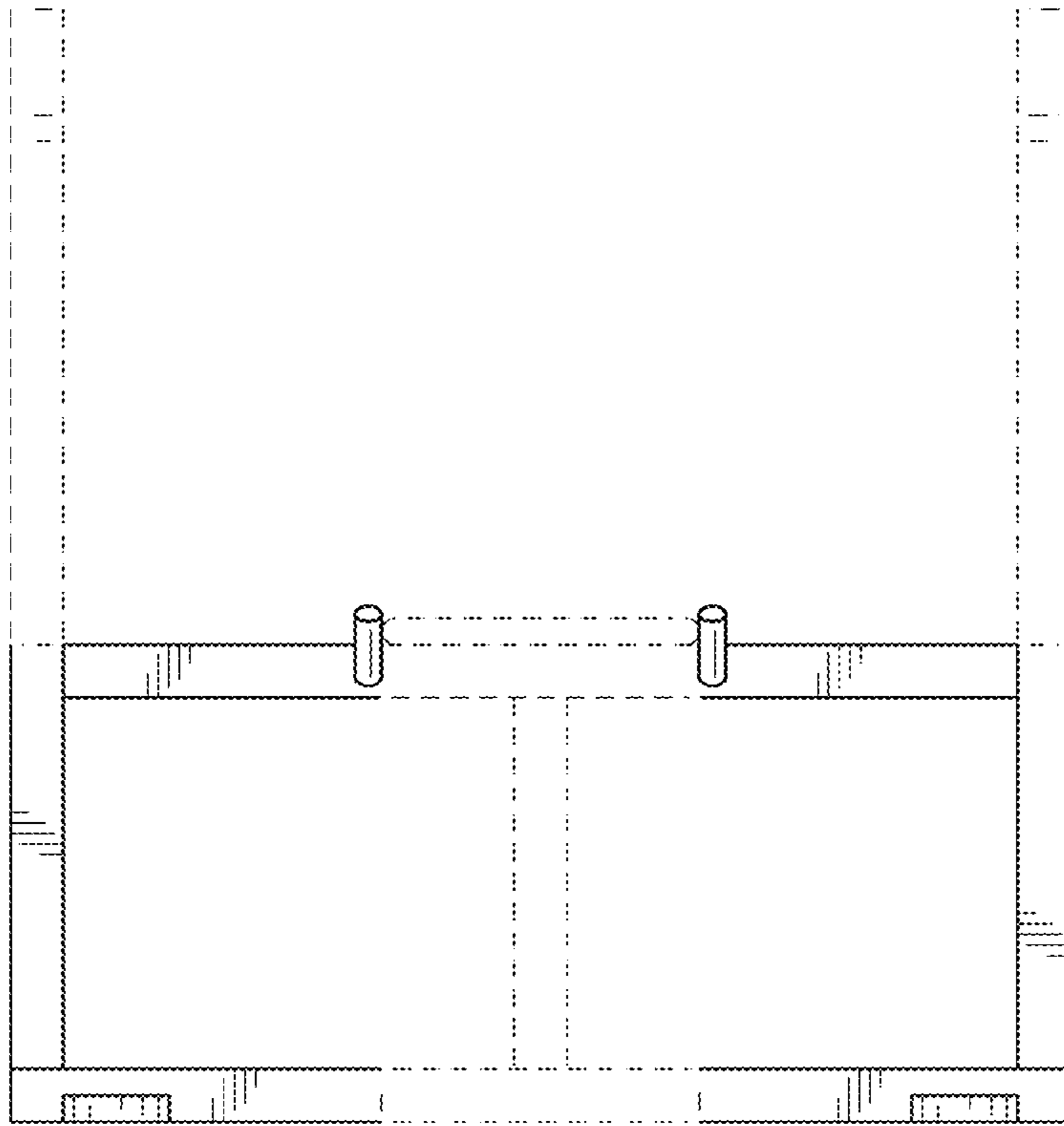


FIG. 4

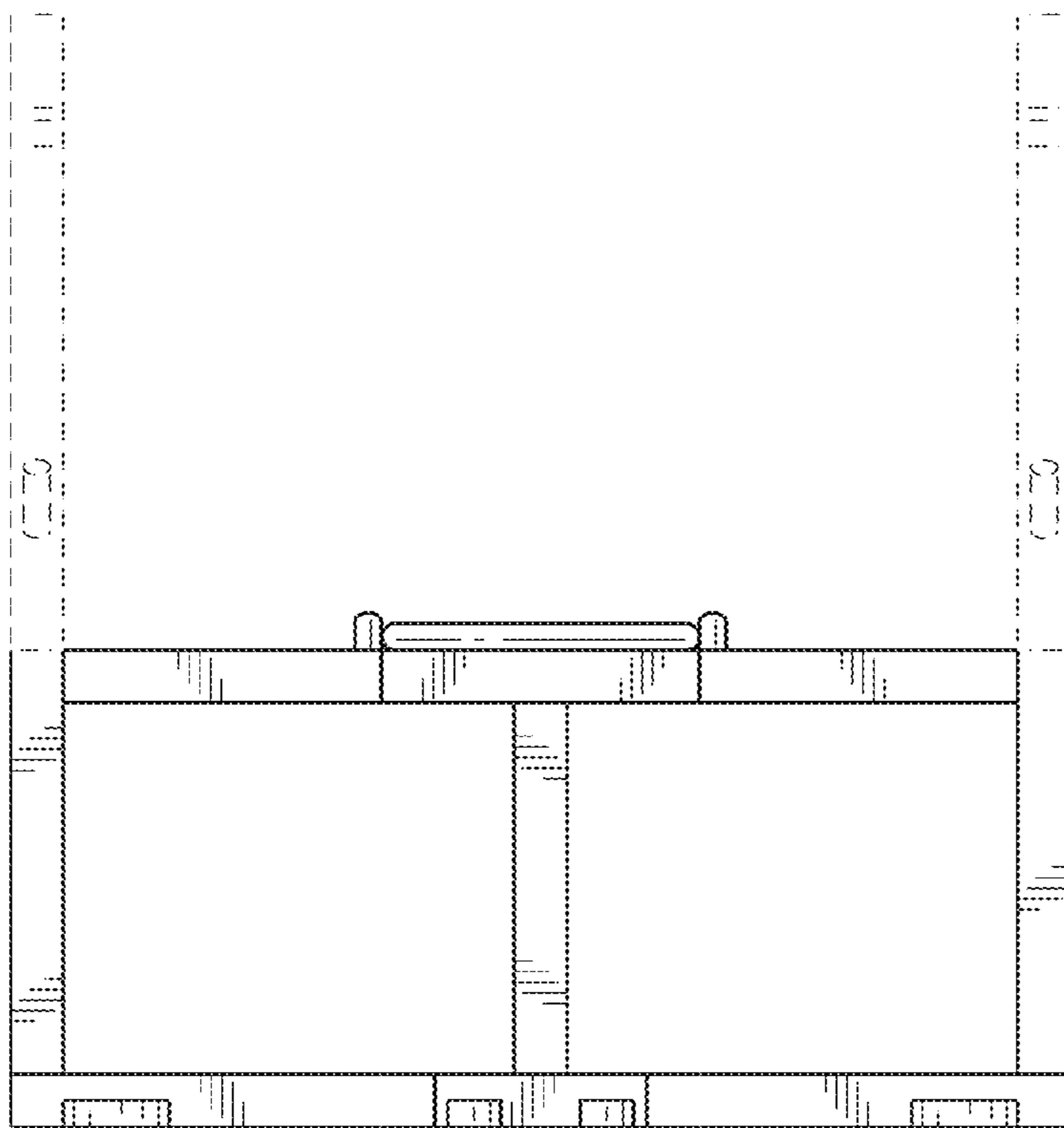


FIG. 5

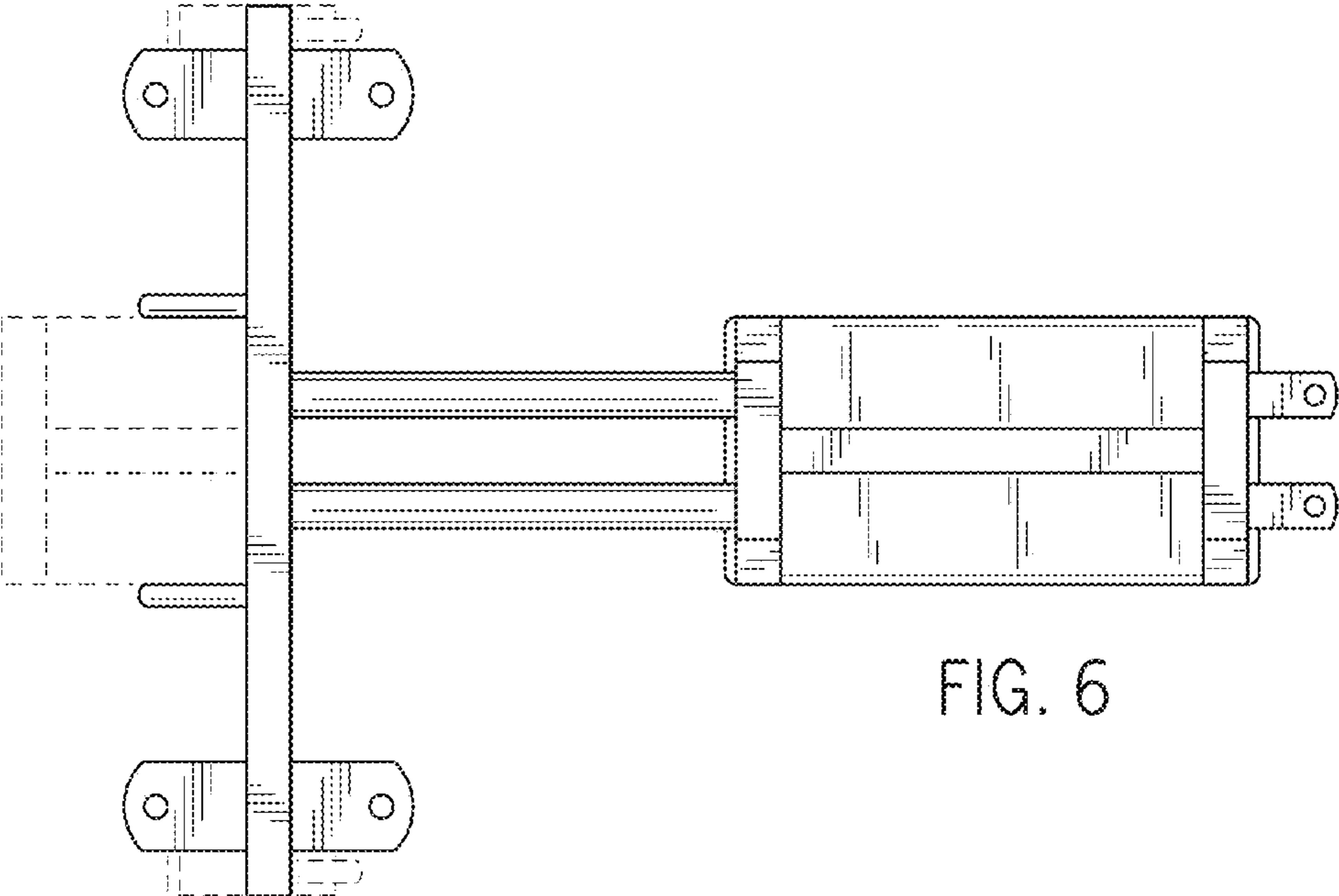


FIG. 6