



US00D727443S

(12) **United States Design Patent**  
**Dixon**

(10) **Patent No.:** **US D727,443 S**  
(45) **Date of Patent:** **\*\* Apr. 21, 2015**

- (54) **WORKOUT BENCH**
- (71) Applicant: **Dana Kirk Dixon**, Tucson, AZ (US)
- (72) Inventor: **Dana Kirk Dixon**, Tucson, AZ (US)
- (73) Assignee: **4D Fitness Designs & Equipment LLC**,  
Tucson, AZ (US)
- (\*\*) Term: **14 Years**
- (21) Appl. No.: **29/470,287**
- (22) Filed: **Oct. 18, 2013**
- (51) **LOC (10) Cl.** ..... **21-02**
- (52) **U.S. Cl.**  
USPC ..... **D21/690**
- (58) **Field of Classification Search**  
CPC ..... A63B 2208/0204; A63B 2208/0252;  
A63B 21/00065; A63B 21/00047; A63B  
21/04; A63B 23/0355; A63B 21/1457; A63B  
2208/0238; A63B 2071/027  
USPC ..... D21/662, 676, 679, 688-691; 482/35,  
482/36, 38-41, 92-101, 104-108, 110, 114,  
482/118, 121-124, 130, 140, 146, 148  
See application file for complete search history.

(56) **References Cited**

**U.S. PATENT DOCUMENTS**

D258,975	S	*	4/1981	Irvine	.....	D21/690
4,286,782	A	*	9/1981	Fuhrhop	.....	482/99
4,369,966	A	*	1/1983	Silberman et al.	.....	482/38
4,637,608	A	*	1/1987	Owens et al.	.....	482/138
D327,719	S	*	7/1992	Towley et al.	.....	D21/690
5,304,109	A	*	4/1994	Shockley	.....	482/142

5,306,220	A	*	4/1994	Kearney	.....	482/94
5,447,481	A	*	9/1995	Emter, Jr.	.....	482/104
5,954,620	A	*	9/1999	Albritton	.....	482/104
5,971,898	A	*	10/1999	Schoolfield	.....	482/104
D462,730	S	*	9/2002	Cormier	.....	D21/690
6,447,433	B1	*	9/2002	Reyes	.....	482/104
6,645,130	B2	*	11/2003	Webber	.....	482/142
7,070,543	B1	*	7/2006	Rindfleisch	.....	482/97
2004/0180768	A1	*	9/2004	Almada	.....	482/142
2005/0079964	A1	*	4/2005	Francavilla	.....	482/142
2008/0051267	A1	*	2/2008	Ish	.....	482/99
2010/0267526	A1	*	10/2010	Baschnagel	.....	482/86
2011/0172066	A1	*	7/2011	Roppolo	.....	482/104

\* cited by examiner

*Primary Examiner* — George D Kirschbaum

*Assistant Examiner* — Jennifer Watkins

(74) *Attorney, Agent, or Firm* — Dale F. Regelman; Quarles & Brady LLP

(57) **CLAIM**

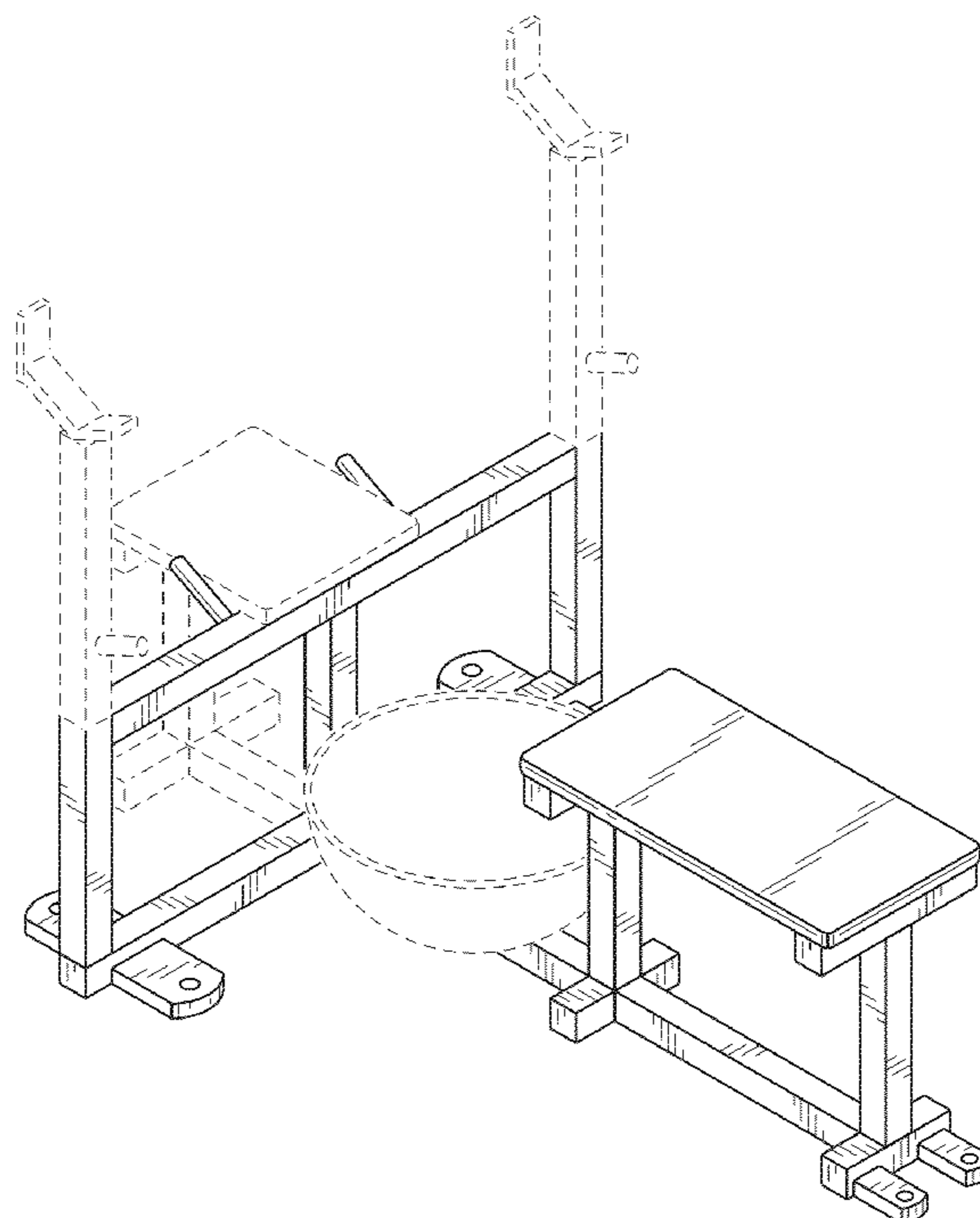
The ornamental design for workout bench, as shown and described.

**DESCRIPTION**

FIG. 1 is a perspective view of the design of this invention; FIG. 2 is a top view; FIG. 3 is a side view; FIG. 4 is a first end view; FIG. 5 is a second end view; and, FIG. 6 is a bottom view.

The broken line showing of portions of a workout bench is for the purpose of illustrating portions of the article that form no part of the claimed design.

**1 Claim, 4 Drawing Sheets**



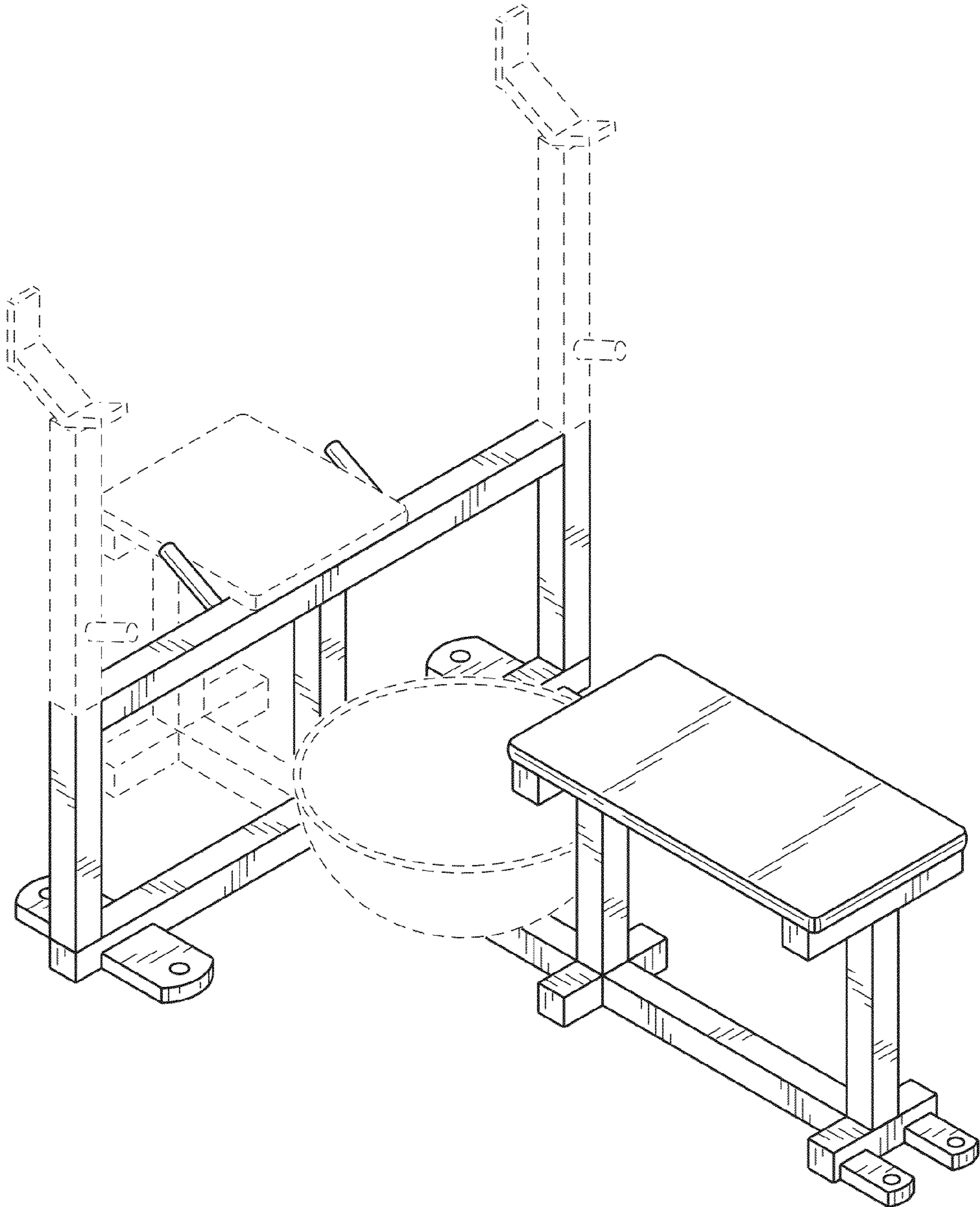


FIG. 1

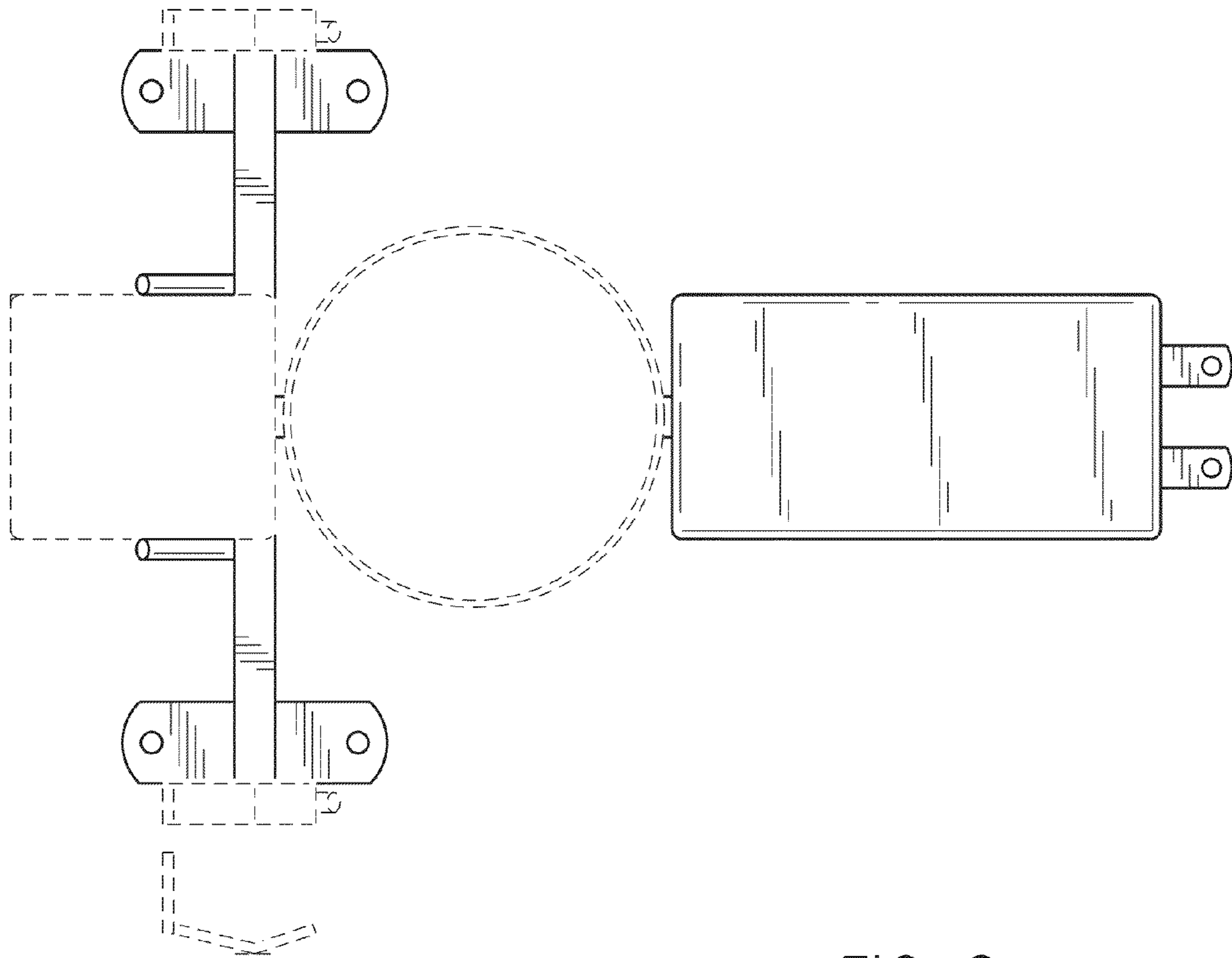


FIG. 2

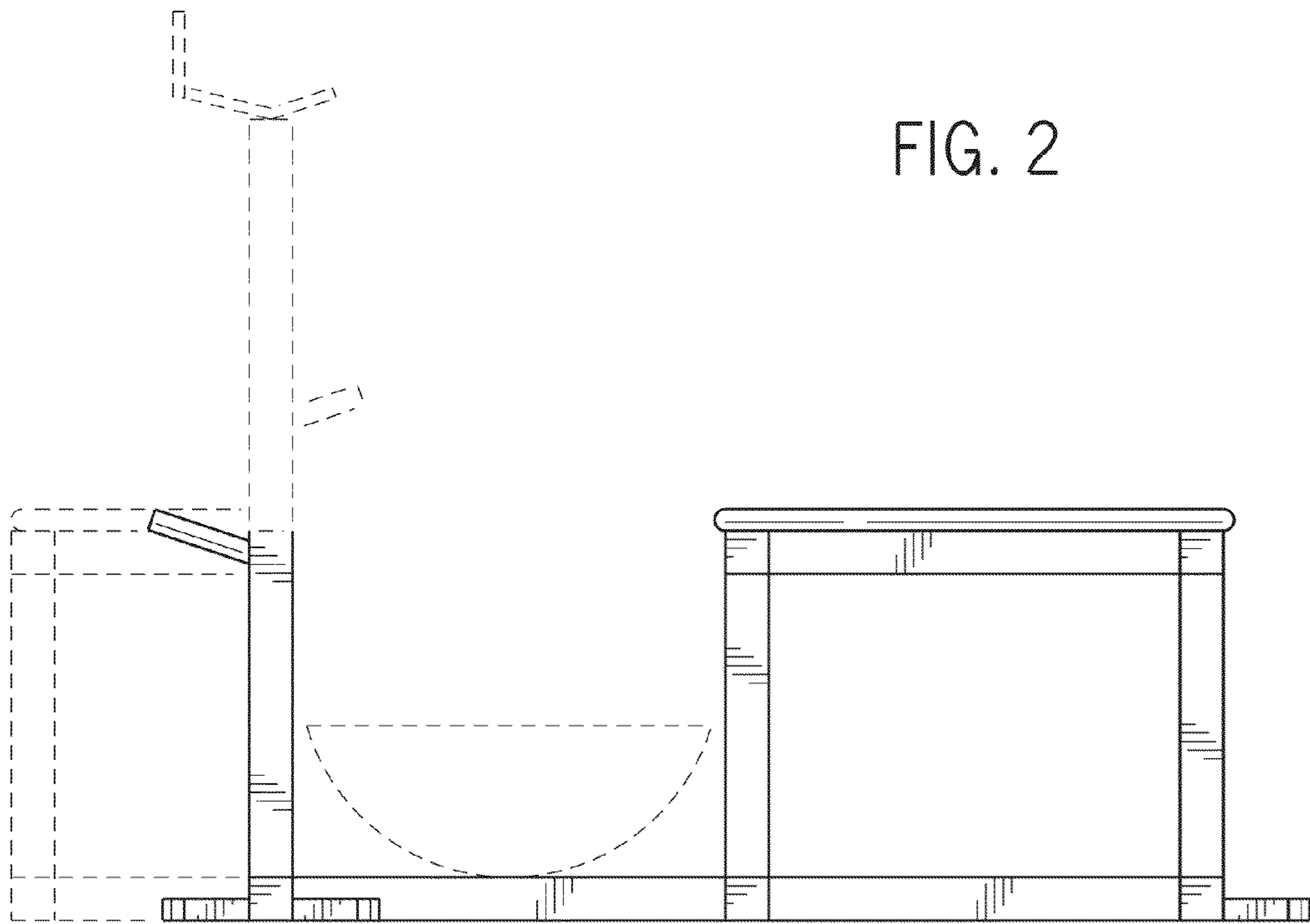


FIG. 3

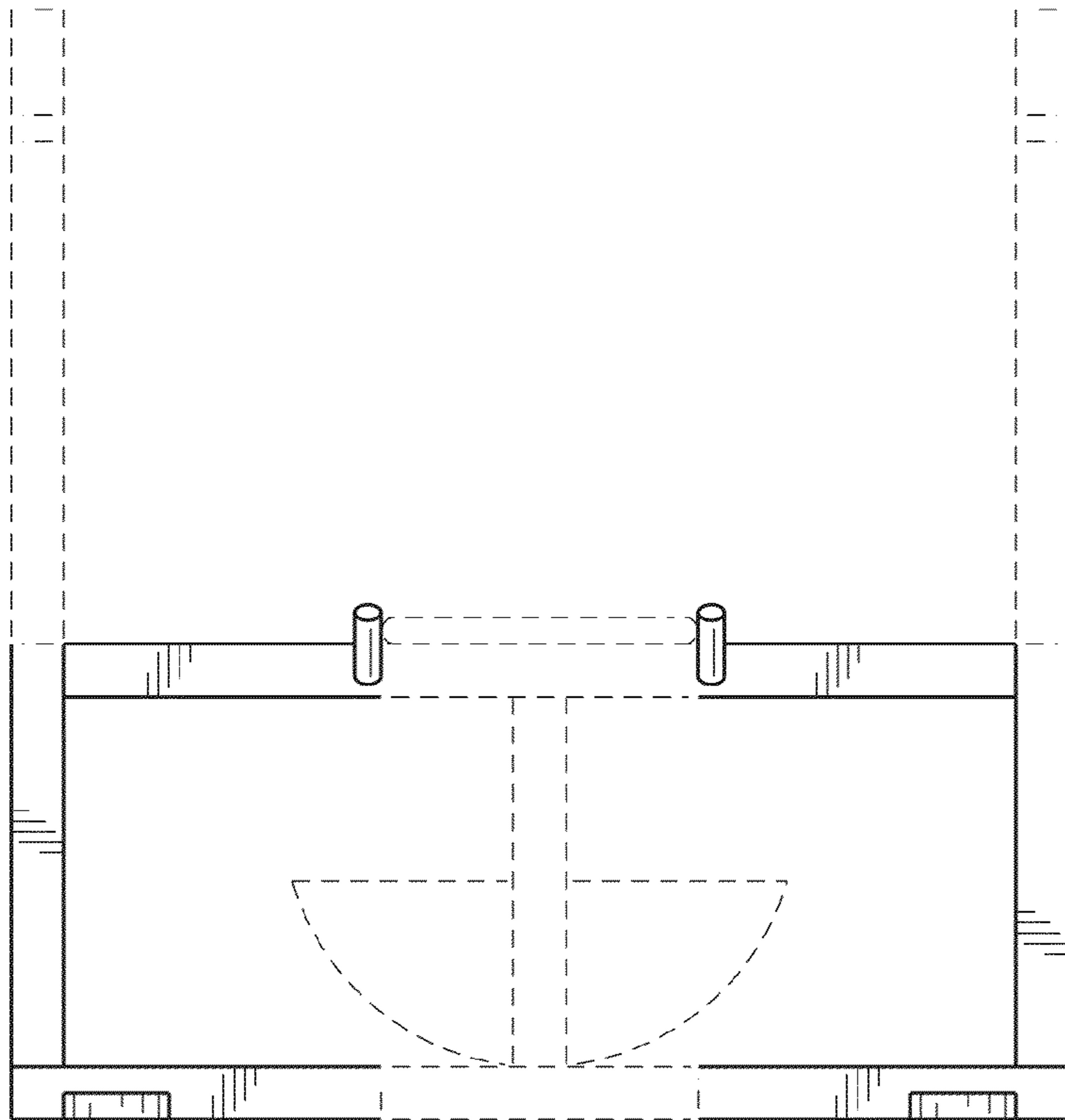


FIG. 4

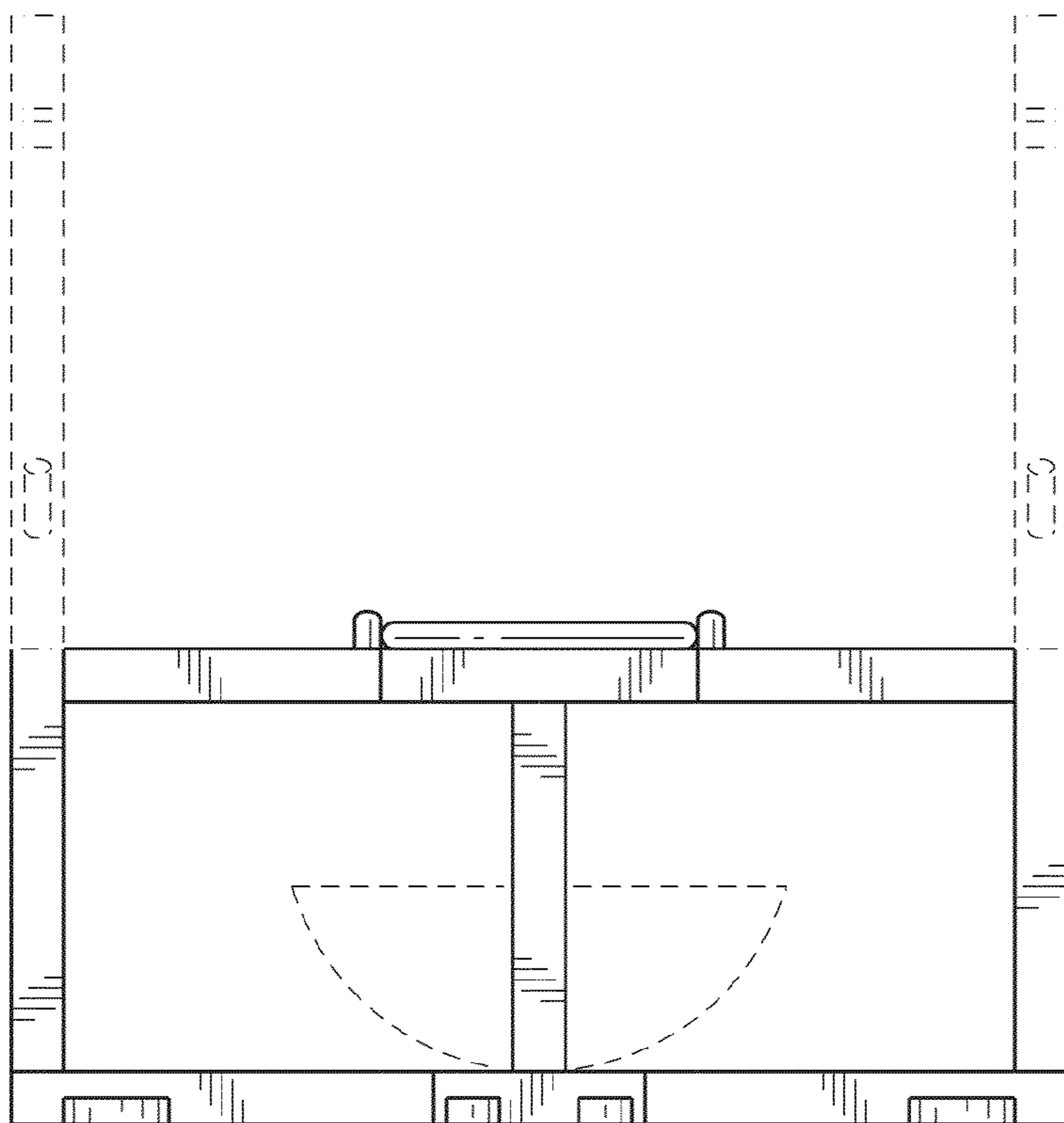


FIG. 5

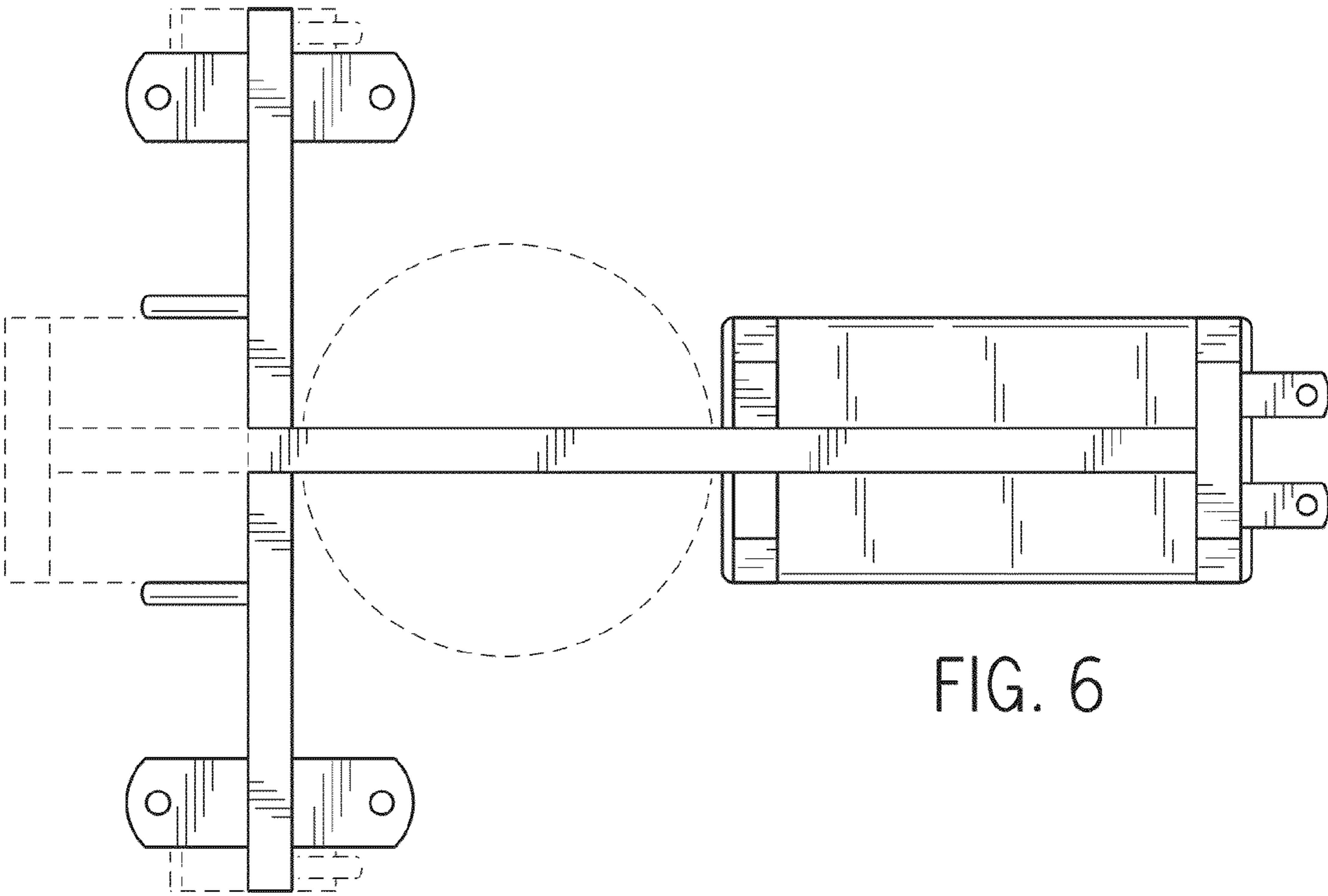


FIG. 6