



US00D727442S

(12) **United States Design Patent**
Ho et al.

(10) **Patent No.:** **US D727,442 S**

(45) **Date of Patent:** **** Apr. 21, 2015**

(54) **MULTI-RAIL ABDOMEN EXERCISER**

(71) Applicants: **Wei-Teh Ho**, Taipei (TW); **Willy Ho**, Taipei (TW)

(72) Inventors: **Wei-Teh Ho**, Taipei (TW); **Willy Ho**, Taipei (TW)

(**) Term: **14 Years**

(21) Appl. No.: **29/458,347**

(22) Filed: **Jun. 18, 2013**

(51) **LOC (10) Cl.** **21-02**

(52) **U.S. Cl.**
USPC **D21/688**; D21/687

(58) **Field of Classification Search**
USPC D21/662, 674, 676, 686, 687, 688, 689,
D21/694; 482/51, 70-72, 96, 112, 121,
482/130-132, 135, 140, 142, 147
See application file for complete search history.

(56) **References Cited**

U.S. PATENT DOCUMENTS

4,846,465	A *	7/1989	Iams et al.	482/132
D425,585	S *	5/2000	Wu	D21/676
6,440,045	B1 *	8/2002	Gaston	482/140
7,232,404	B2 *	6/2007	Nelson	482/140
D567,312	S *	4/2008	Tsai	D21/688
7,662,076	B1 *	2/2010	Ho	482/130
D626,608	S *	11/2010	Tsai	D21/689
D631,519	S *	1/2011	Chen	D21/689

7,878,957	B1 *	2/2011	Chen	482/140
8,052,583	B1 *	11/2011	Tsai	482/96
8,105,221	B2 *	1/2012	Splane	482/147
D659,777	S *	5/2012	Watterson et al.	D21/689
D671,177	S *	11/2012	Sip	D21/689
D702,299	S *	4/2014	Ho et al.	D21/686
D705,367	S *	5/2014	Ho et al.	D21/687
D709,969	S *	7/2014	Ho et al.	D21/668
2008/0207415	A1 *	8/2008	Tsai	482/147

* cited by examiner

Primary Examiner — Phillip S Hyder

(74) *Attorney, Agent, or Firm* — Blakely Sokoloff Taylor Zafman LLP

(57) **CLAIM**

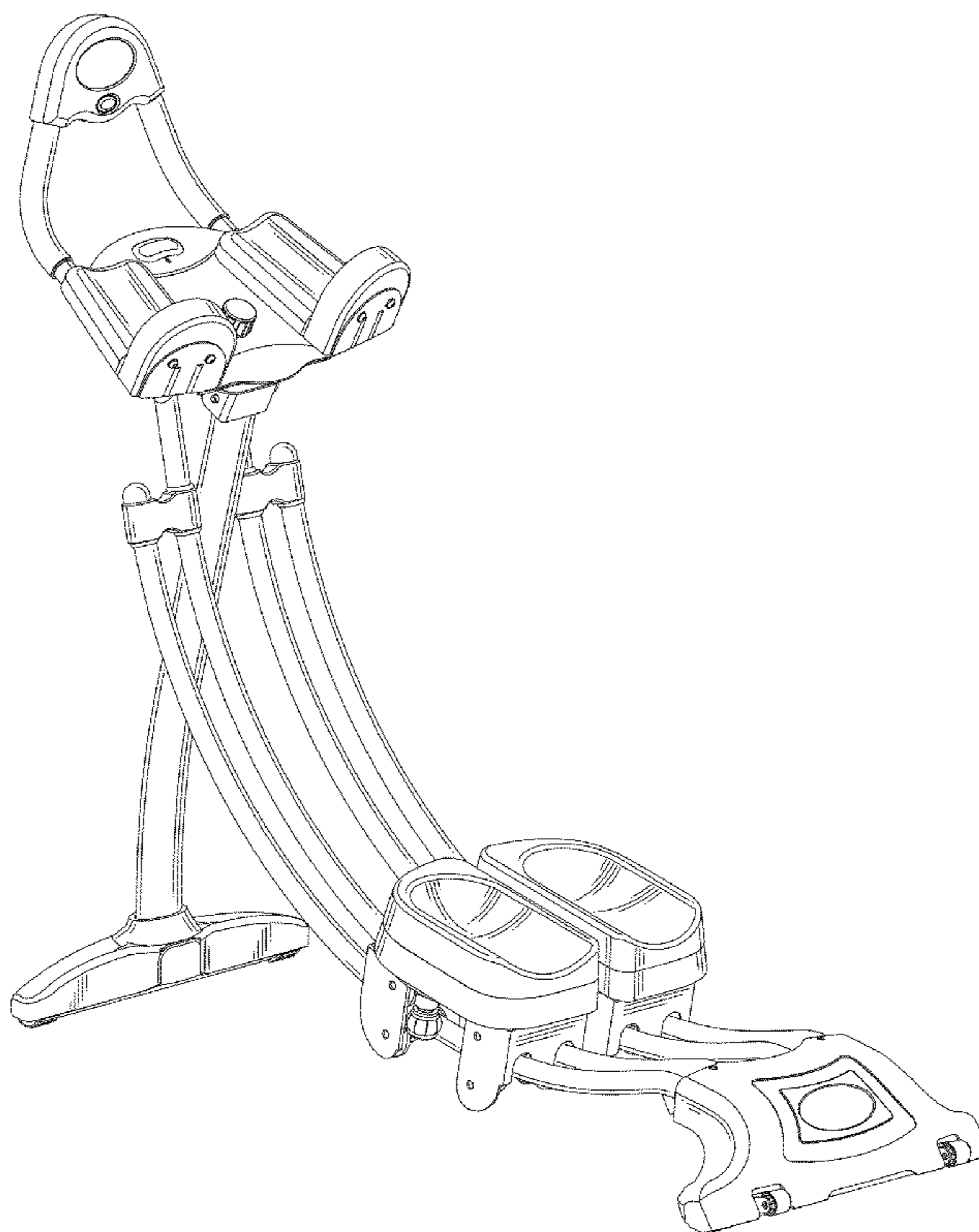
The ornamental design for a multi-rail abdomen exerciser, as shown and described.

DESCRIPTION

FIG. 1 is a perspective view showing the new design for an multi-rail abdomen exerciser;
FIG. 2 is an enlarged front view thereof;
FIG. 3 is an enlarged rear view thereof;
FIG. 4 is an enlarged right side view thereof;
FIG. 5 is an enlarged left side view thereof;
FIG. 6 is an enlarged top view thereof; and,
FIG. 7 is an enlarged bottom view thereof.

The broken lines depict portions of the multi-rail abdominal exerciser in which the design is embodied that are not considered part of the claimed design.

1 Claim, 7 Drawing Sheets



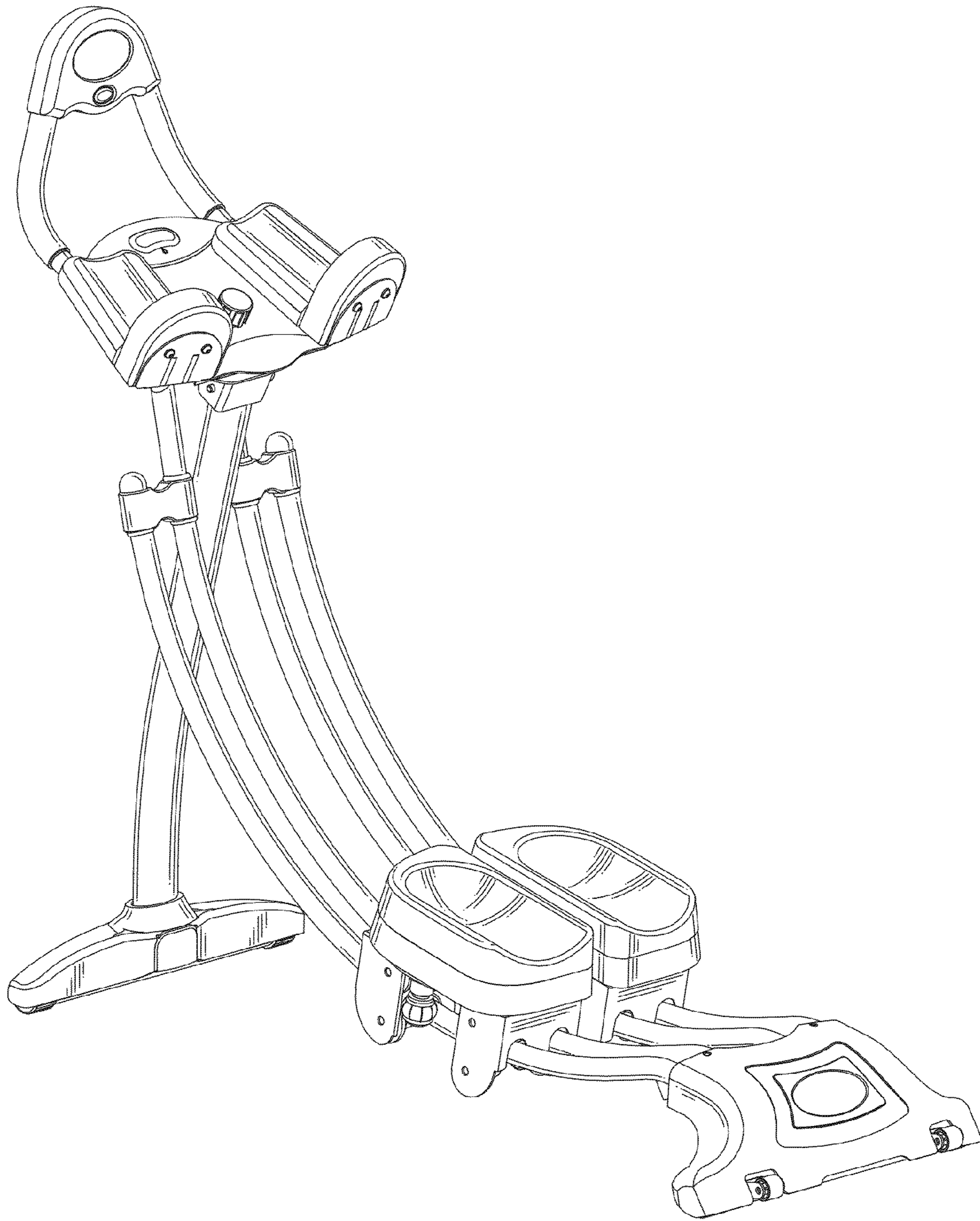


FIG.1

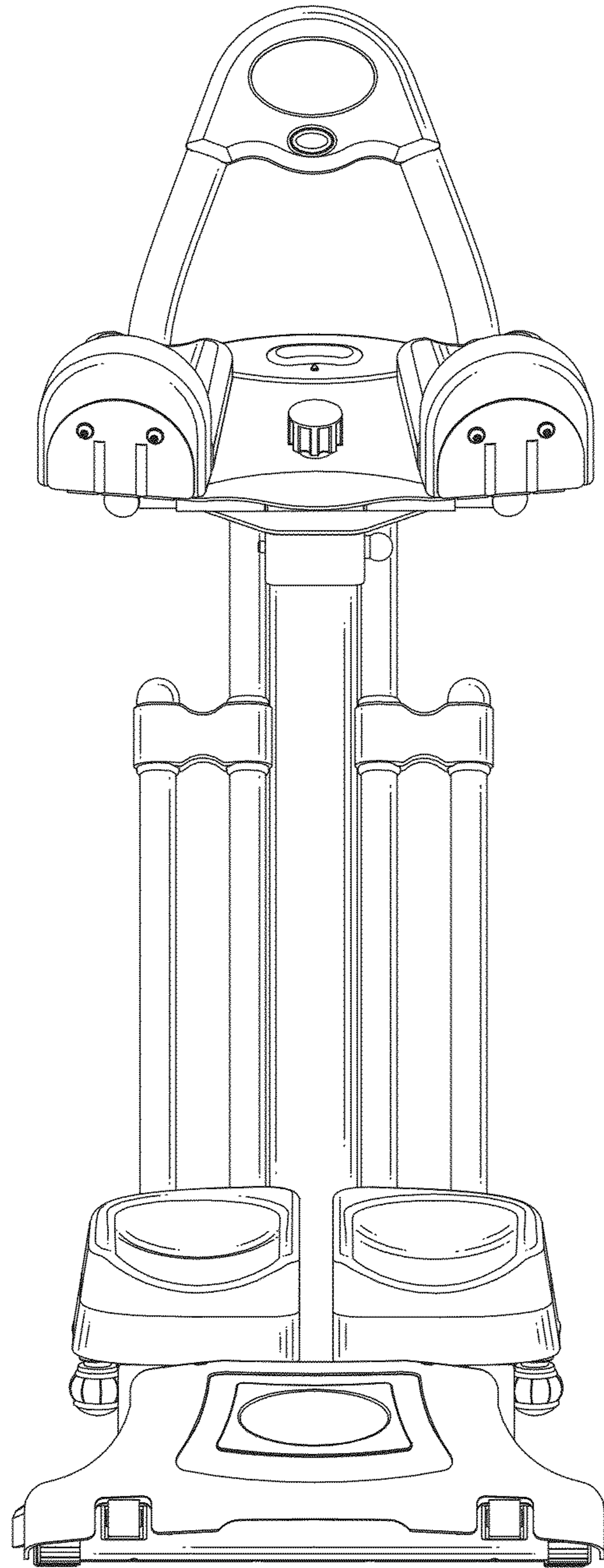


FIG.2

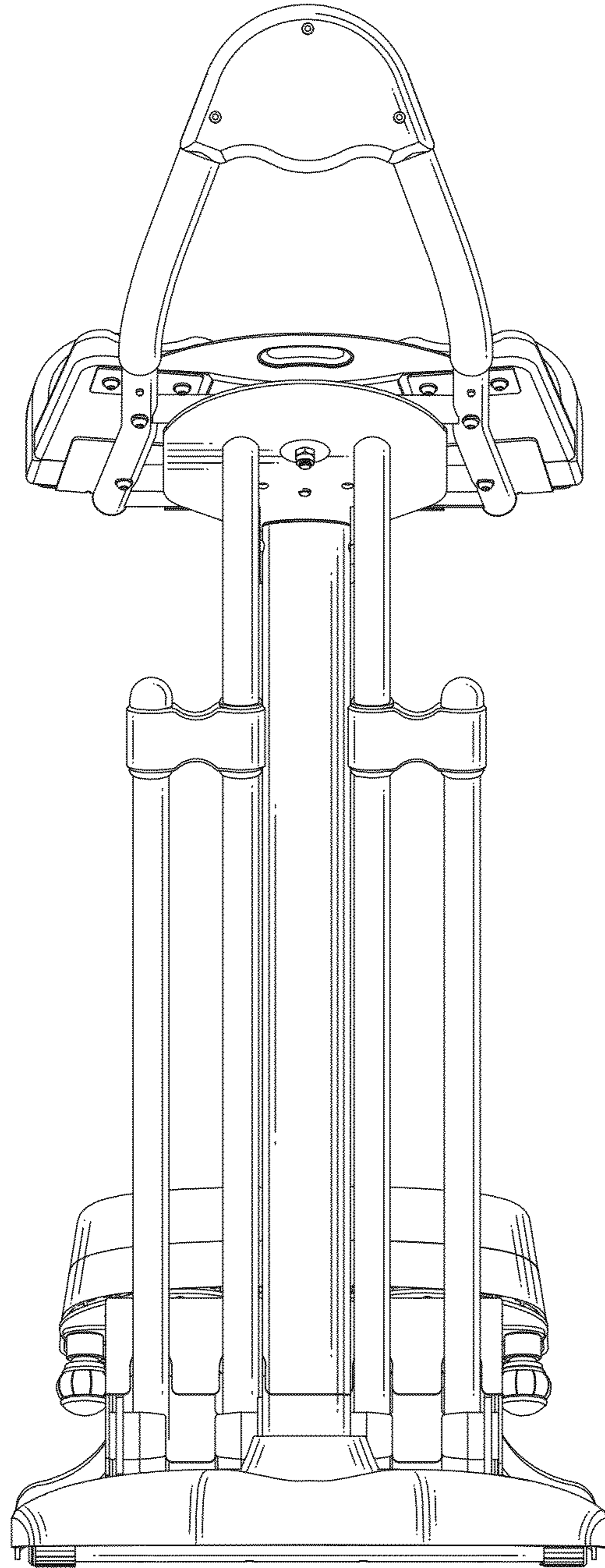


FIG.3

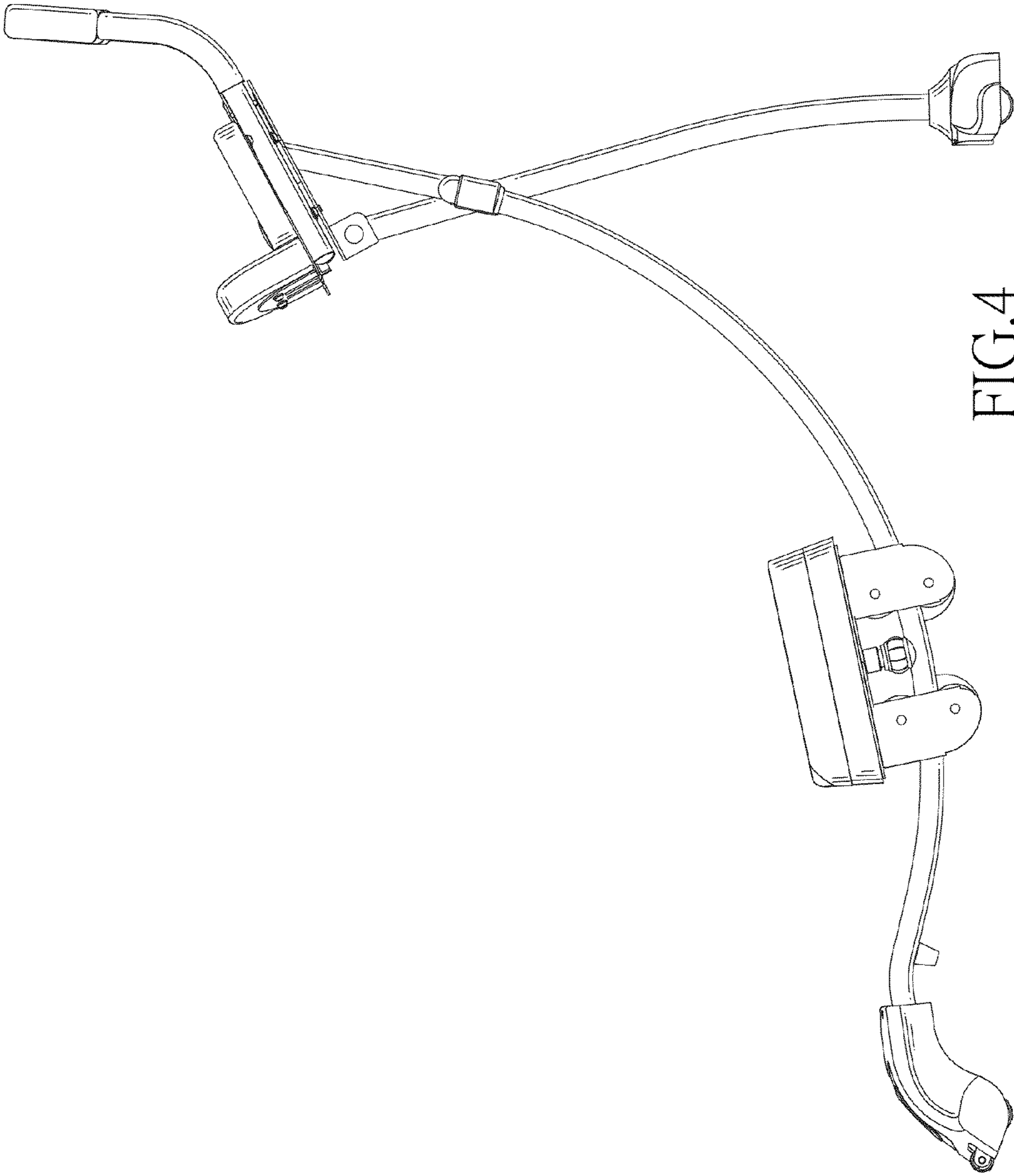


FIG. 4

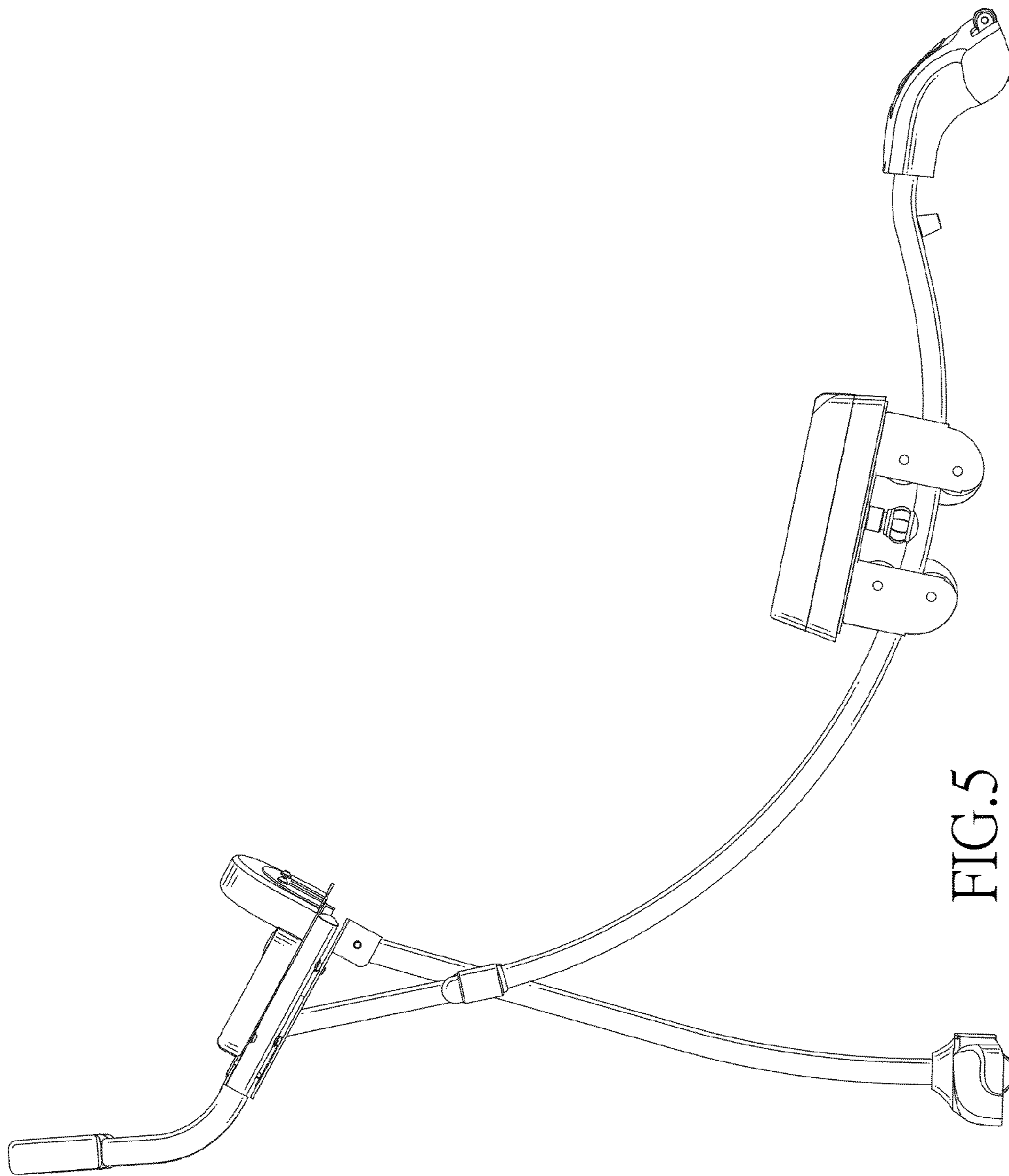


FIG. 5

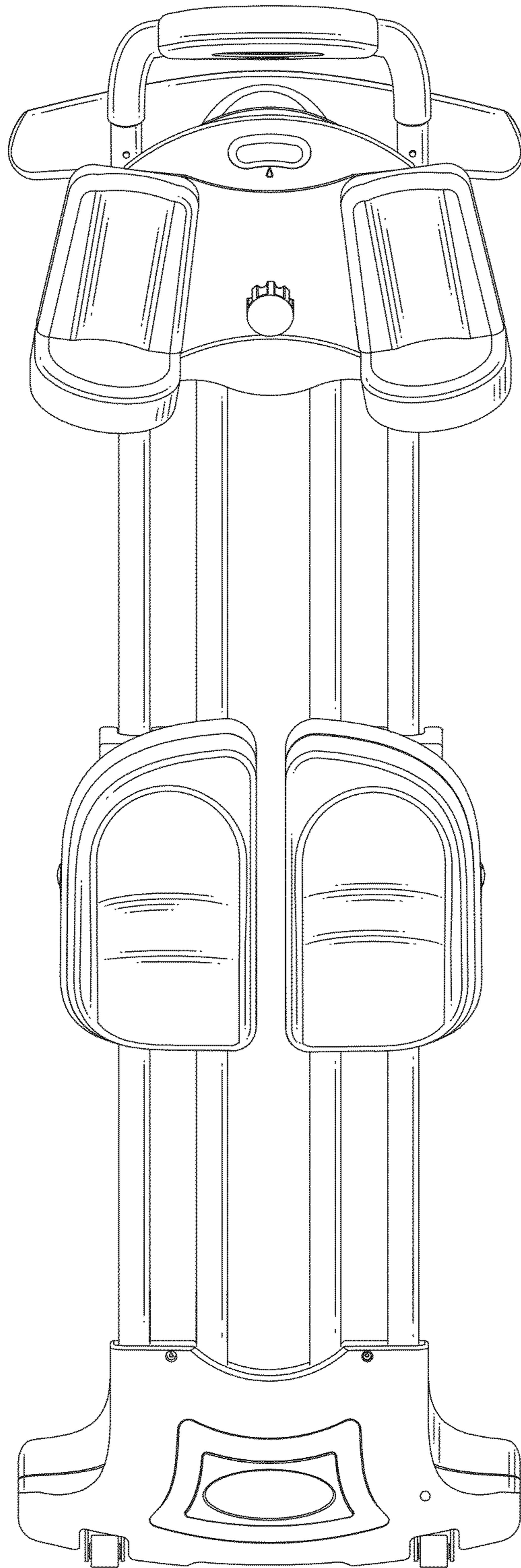


FIG.6

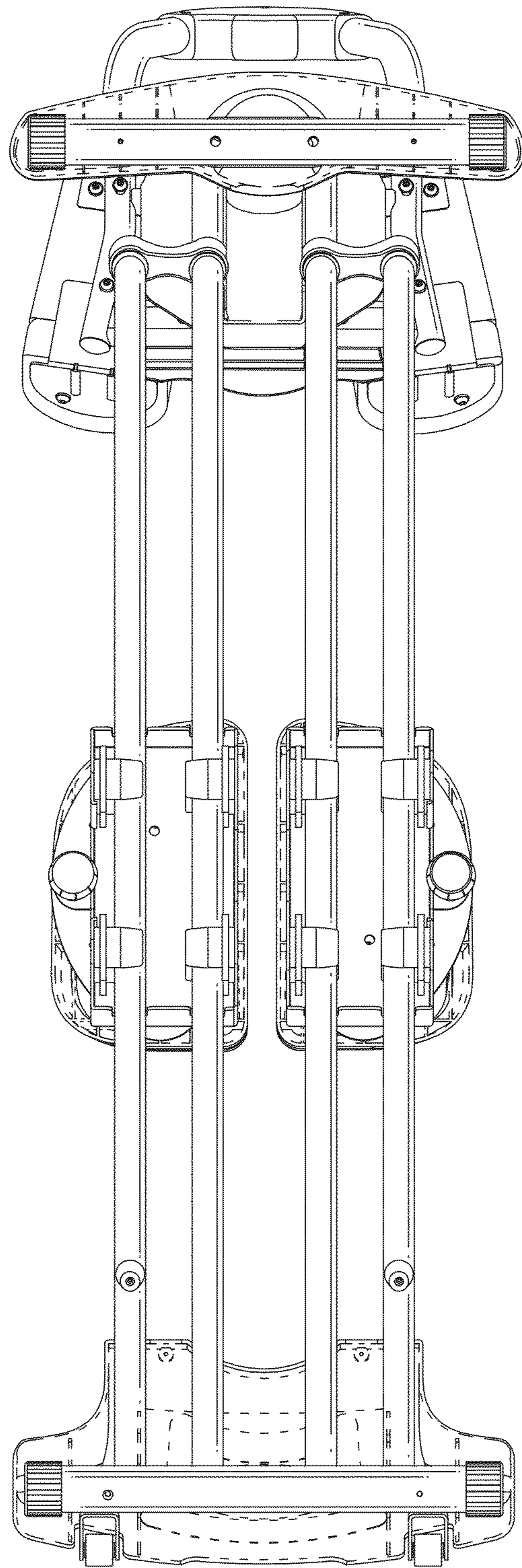


FIG.7