



US00D727441S

(12) **United States Design Patent**
Chuang et al.

(10) **Patent No.:** **US D727,441 S**
(45) **Date of Patent:** **** Apr. 21, 2015**

- (54) **EXERCISE DEVICE FOR SITUP**
- (71) Applicants: **Jin-Chen Chuang**, Taichung (TW);
Lung-Fei Chuang, Taichung (TW)
- (72) Inventors: **Jin-Chen Chuang**, Taichung (TW);
Lung-Fei Chuang, Taichung (TW)
- (73) Assignees: **Jin-Chen Chuang**, Taichung (TW);
Lung-Fei Chuang, Taichung (TW)
- (**) Term: **14 Years**
- (21) Appl. No.: **29/466,445**
- (22) Filed: **Sep. 9, 2013**
- (30) **Foreign Application Priority Data**
 - Jun. 28, 2013 (CN) 2013 3 0291558
 - Jun. 28, 2013 (CN) 2013 3 0291915
- (51) **LOC (10) Cl.** **21-02**
- (52) **U.S. Cl.**
USPC **D21/687**
- (58) **Field of Classification Search**
USPC 482/142, 122, 115, 108, 145, 140, 105,
482/111, 123, 121, 126, 141, 143, 148, 106,
482/130, 129, 132, 96, 131, 133, 124, 110,
482/127, 72, 147, 51, 71, 139, 97, 92, 137,
482/98, 1, 907, 95, 112; 206/315.1, 45.2;
D21/687, 662, 690, 676, 423, 691,
D21/686; 273/449; 472/103; 297/259.1,
297/16.1, 175, 445.1, 353; 446/482;
607/48, 149, 77, 148; 140/121, 122,
140/123, 124, 90; 601/24; D24/190;
D6/601
See application file for complete search history.

- (56) **References Cited**
U.S. PATENT DOCUMENTS
D379,836 S * 6/1997 Chen D21/691
D380,517 S * 7/1997 Ho D21/691
D381,378 S * 7/1997 Colonello et al. D21/687

D384,379 S *	9/1997	Lin	D21/687
D385,929 S *	11/1997	Mishan	D21/687
D385,930 S *	11/1997	Chen	D21/687
5,725,463 A *	3/1998	Colonello et al.	482/140
5,728,035 A *	3/1998	Sands	482/140
D395,684 S *	6/1998	Olschansky et al.	D21/662
5,772,563 A *	6/1998	Lin	482/140
5,779,607 A *	7/1998	Harris	482/140
D400,953 S *	11/1998	Huang	D21/687
5,853,357 A *	12/1998	Jones, Jr.	482/140
D404,432 S *	1/1999	Sands	D21/662
5,863,280 A *	1/1999	Wang	482/140
5,882,284 A *	3/1999	Cayne	482/130
5,941,806 A *	8/1999	Olschansky et al.	482/140
D413,948 S *	9/1999	Dalebout	D21/687
6,117,057 A *	9/2000	Olschansky et al.	482/140
D496,701 S *	9/2004	Chung	D21/687
D613,804 S *	4/2010	Perez	D21/691
7,794,378 B2 *	9/2010	Splane et al.	482/142
D641,434 S *	7/2011	Khubani	D21/690
D659,207 S *	5/2012	Brown	D21/687
2012/0065038 A1 *	3/2012	Nayebdadash	482/140
2014/0364288 A1 *	12/2014	Chuang et al.	482/122

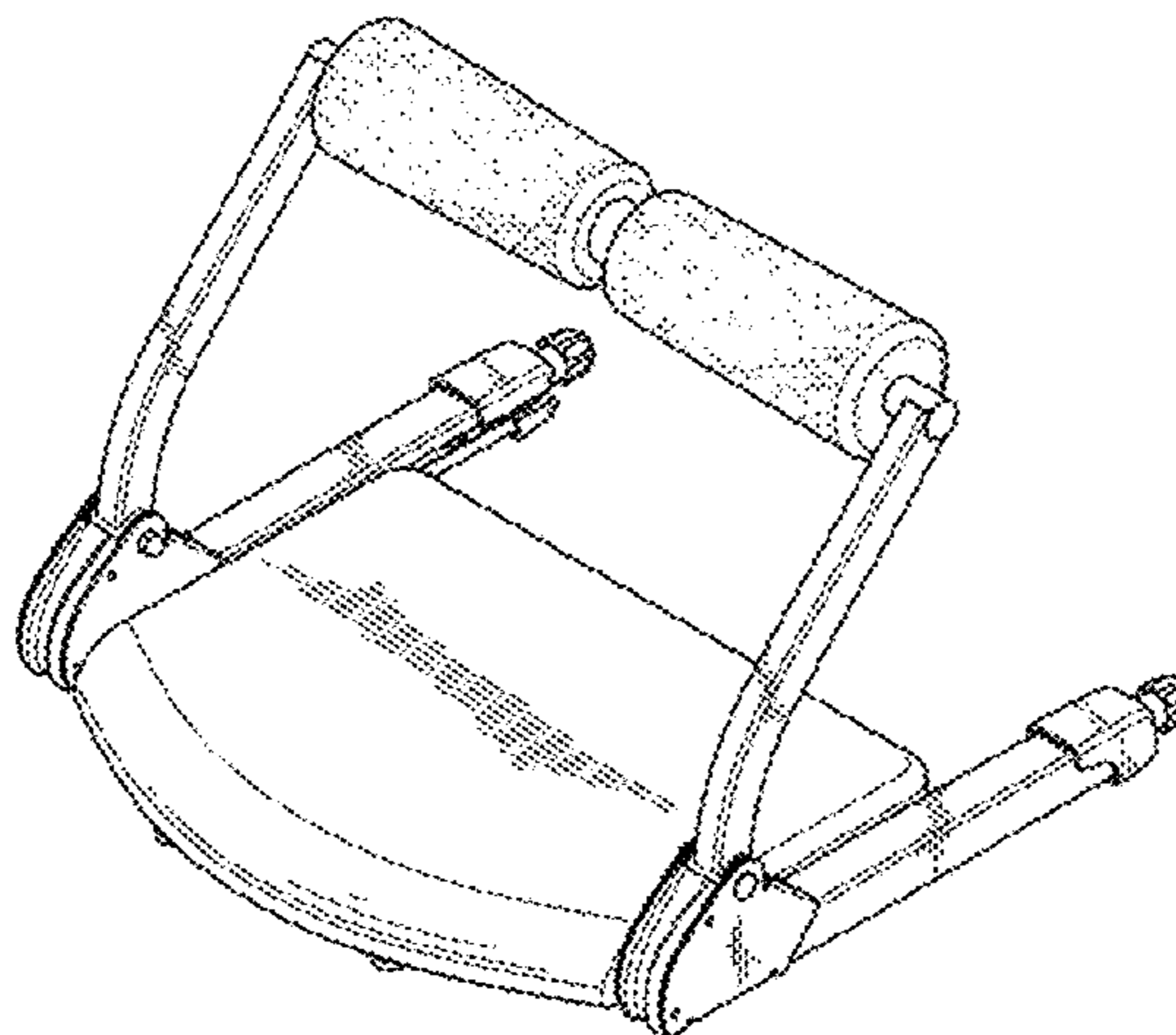
* cited by examiner

Primary Examiner — Robert M Spear
Assistant Examiner — Ryan Harvey
(74) *Attorney, Agent, or Firm* — CKC & Partners Co., Ltd.

(57) **CLAIM**
The ornamental design for an exercise device for situp, as shown.

DESCRIPTION
FIG. 1 is a perspective view of an exercise device for situp showing my new design;
FIG. 2 is a front view thereof;
FIG. 3 is a rear view thereof;
FIG. 4 is a left side view thereof;
FIG. 5 is a right side view thereof;
FIG. 6 is a top view thereof;
FIG. 7 is a bottom view thereof; and,
FIG. 8 is the other perspective view of a lying posture of the exercise device for situp.

1 Claim, 5 Drawing Sheets



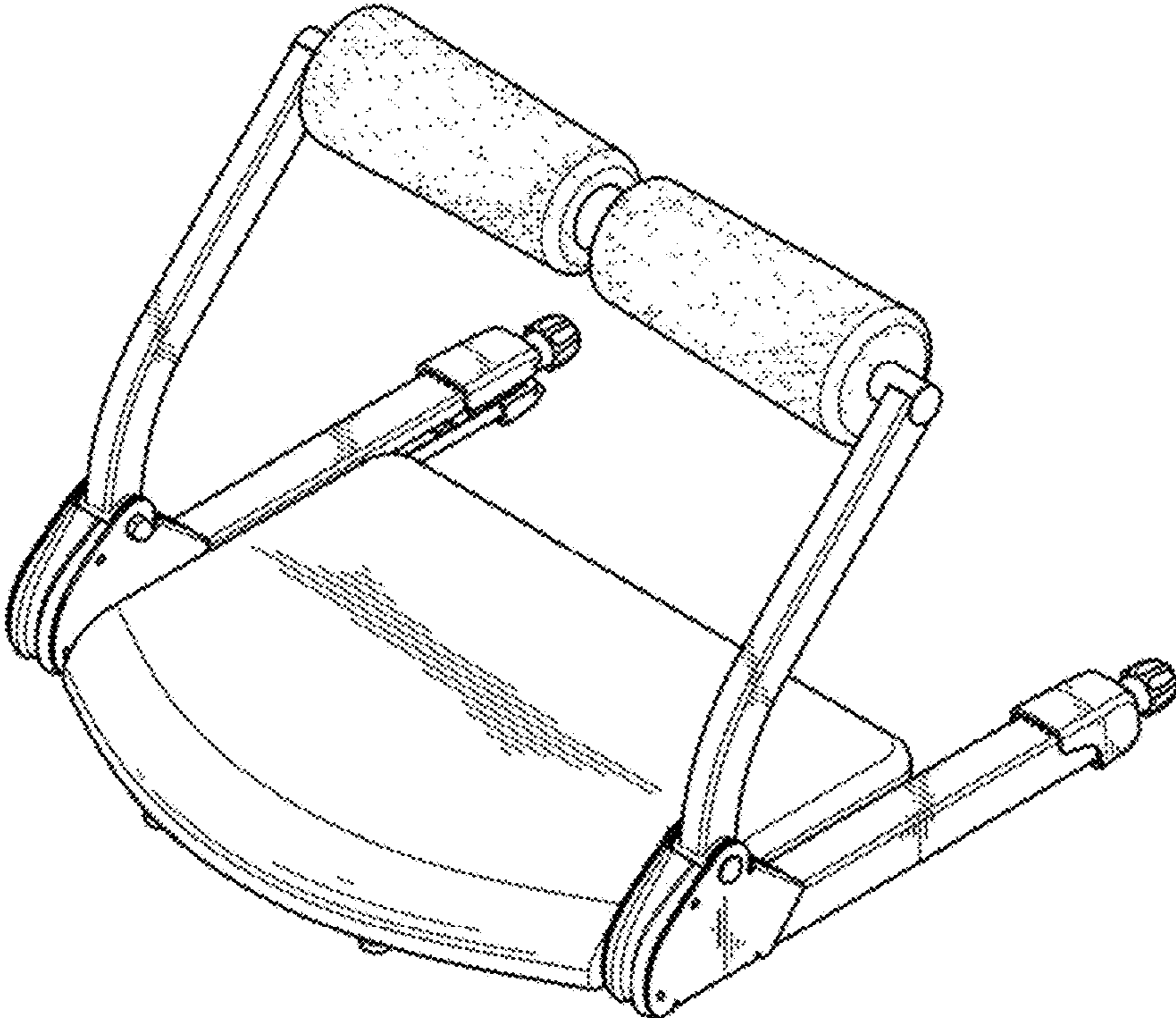


Fig. 1

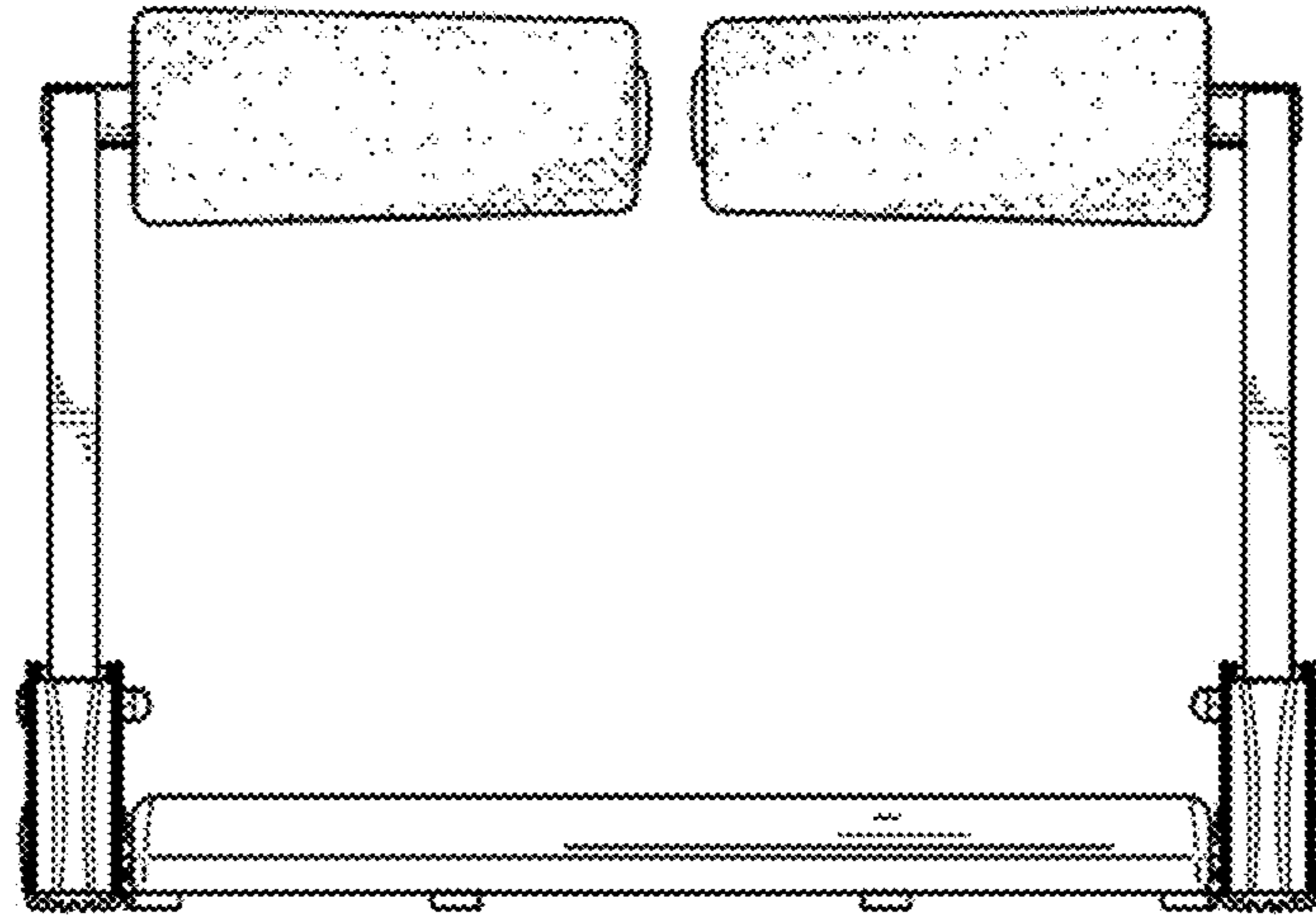


Fig. 2

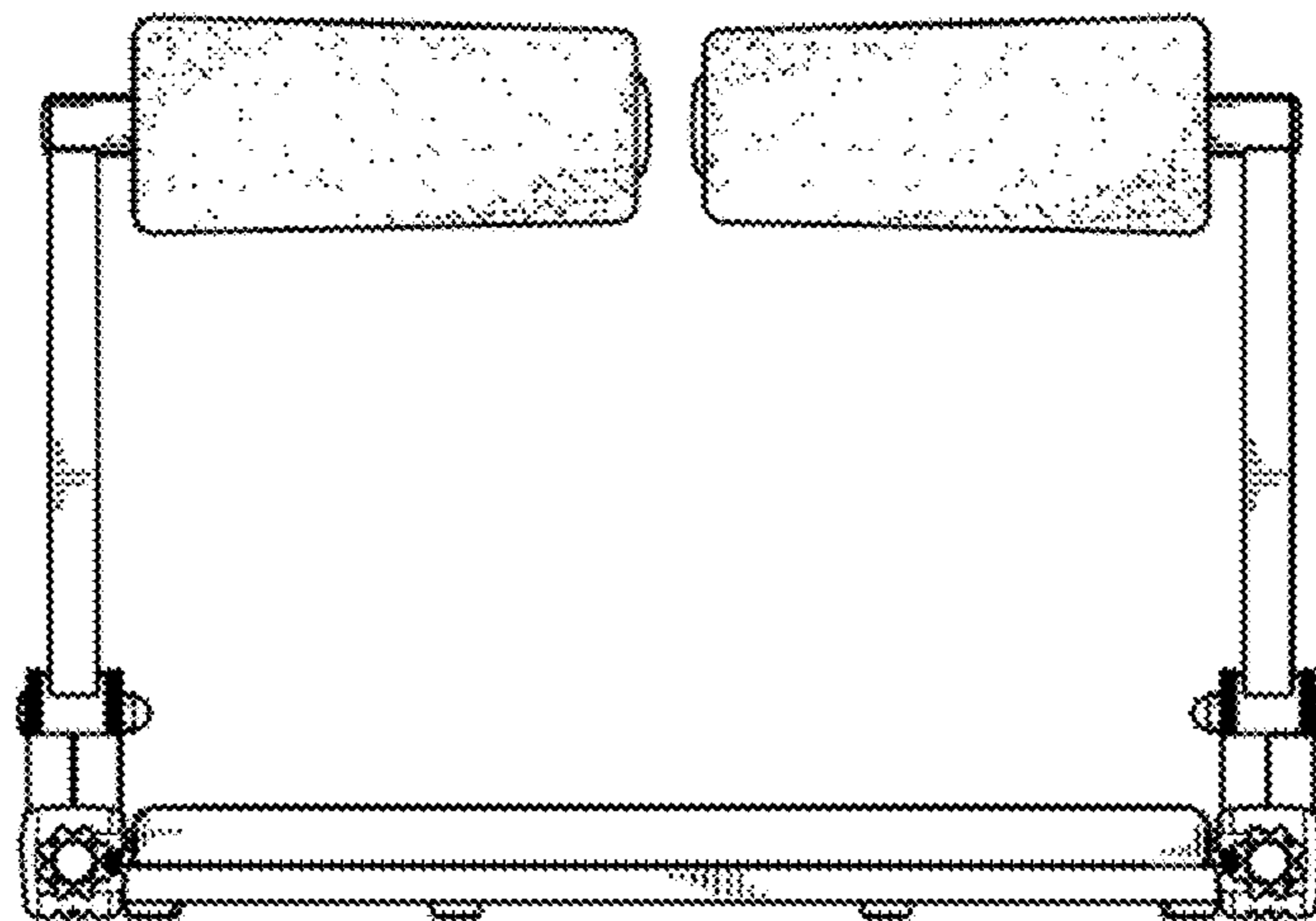


Fig. 3

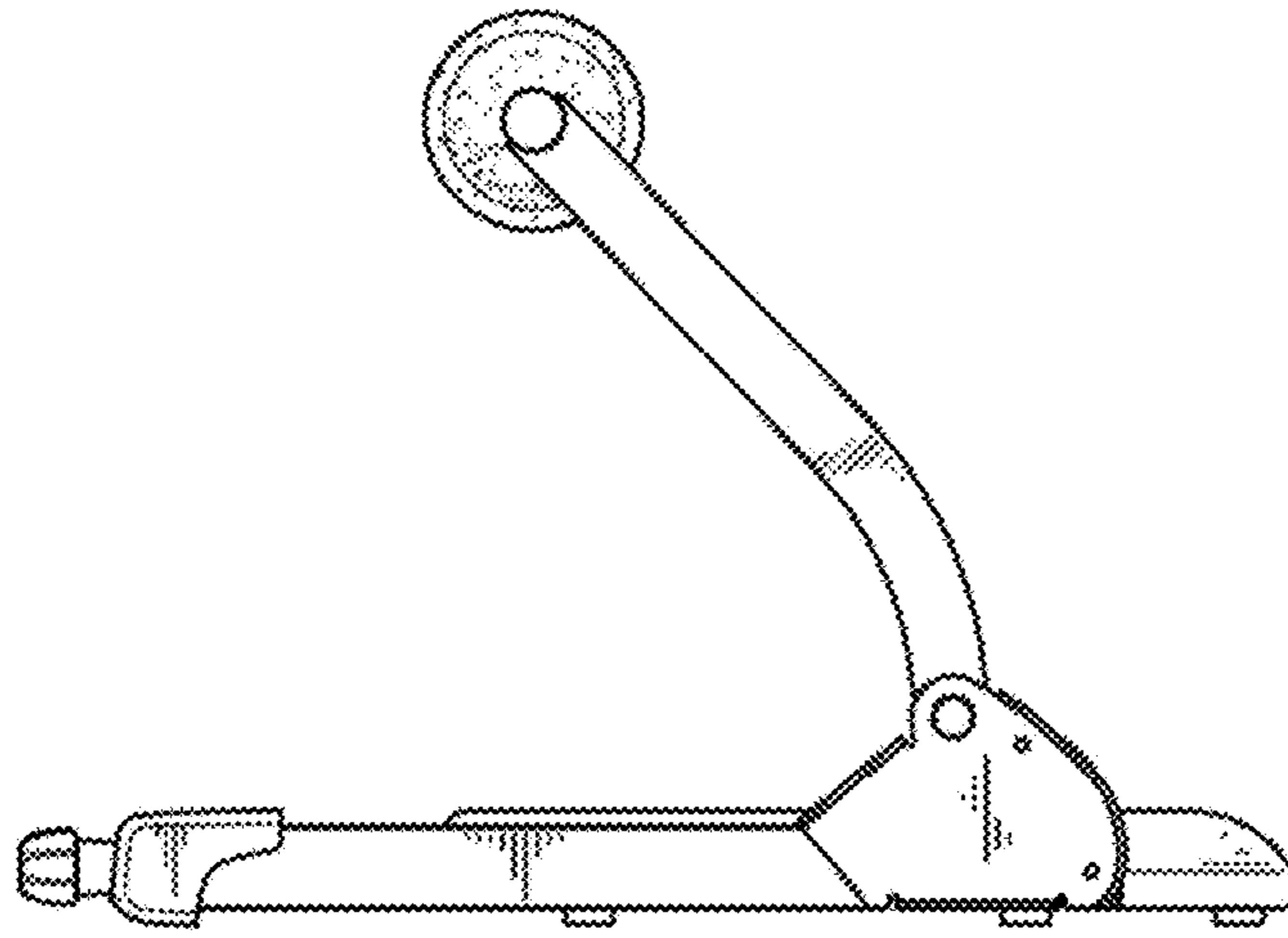


Fig. 4

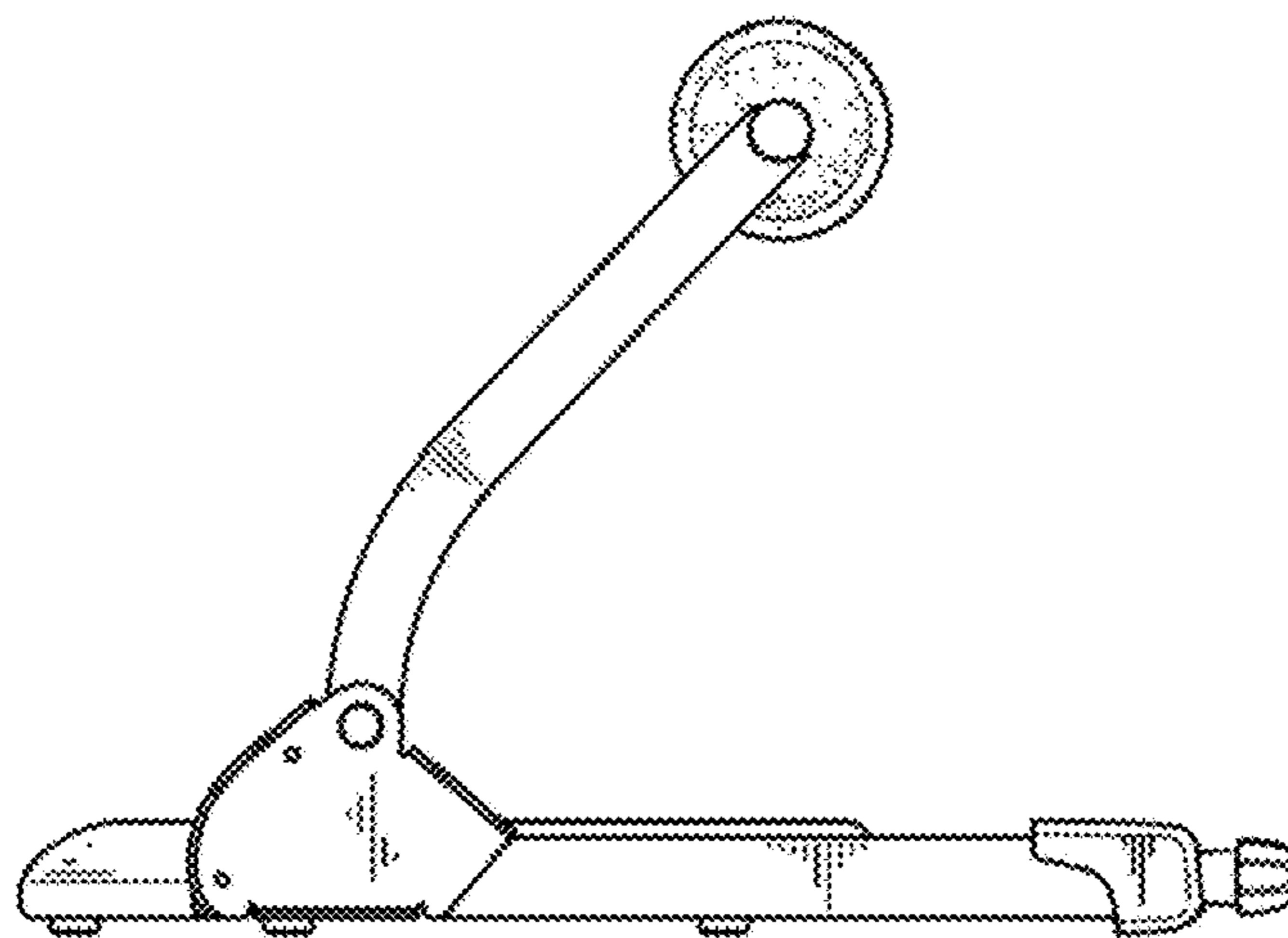


Fig. 5

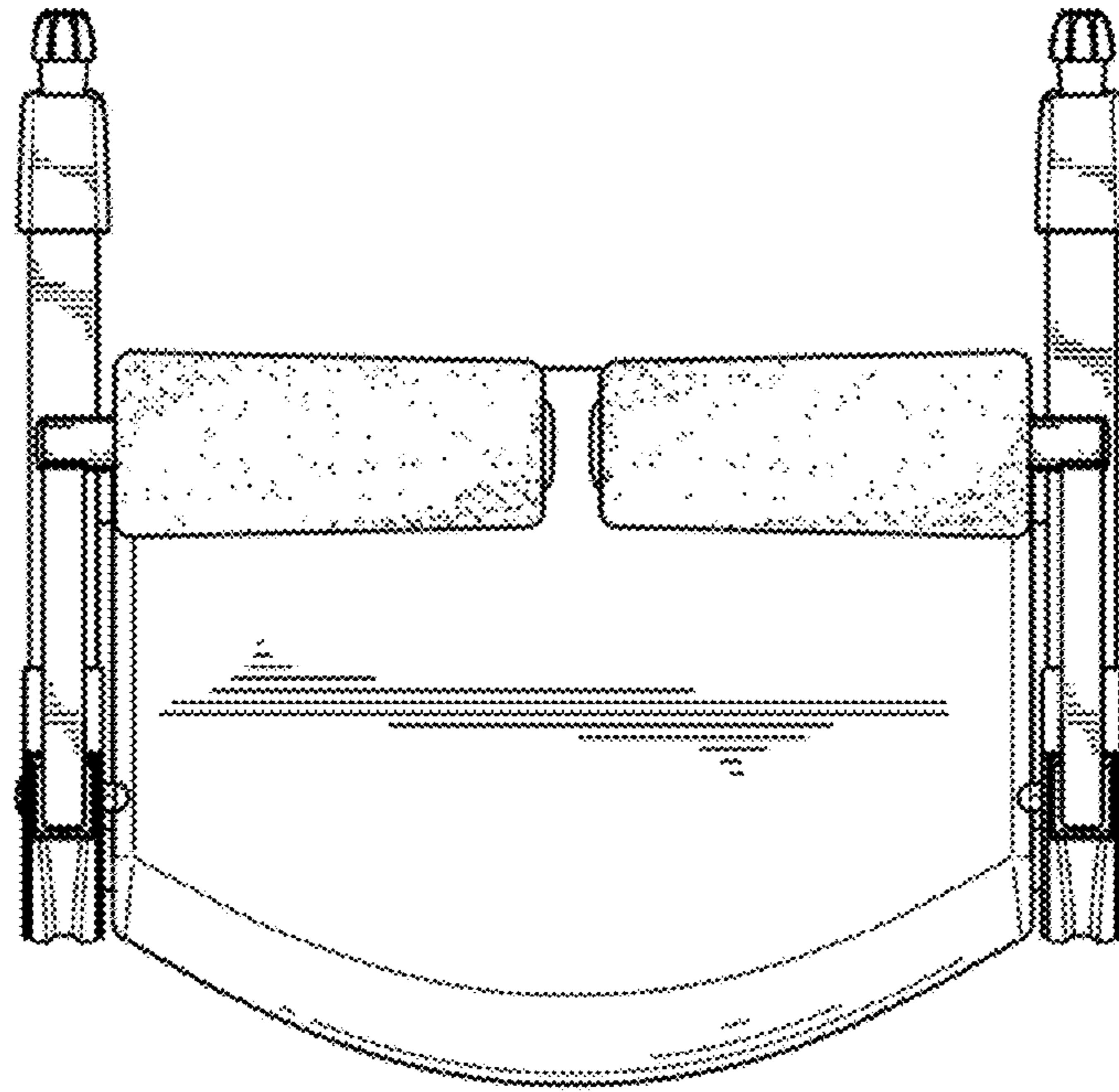


Fig. 6

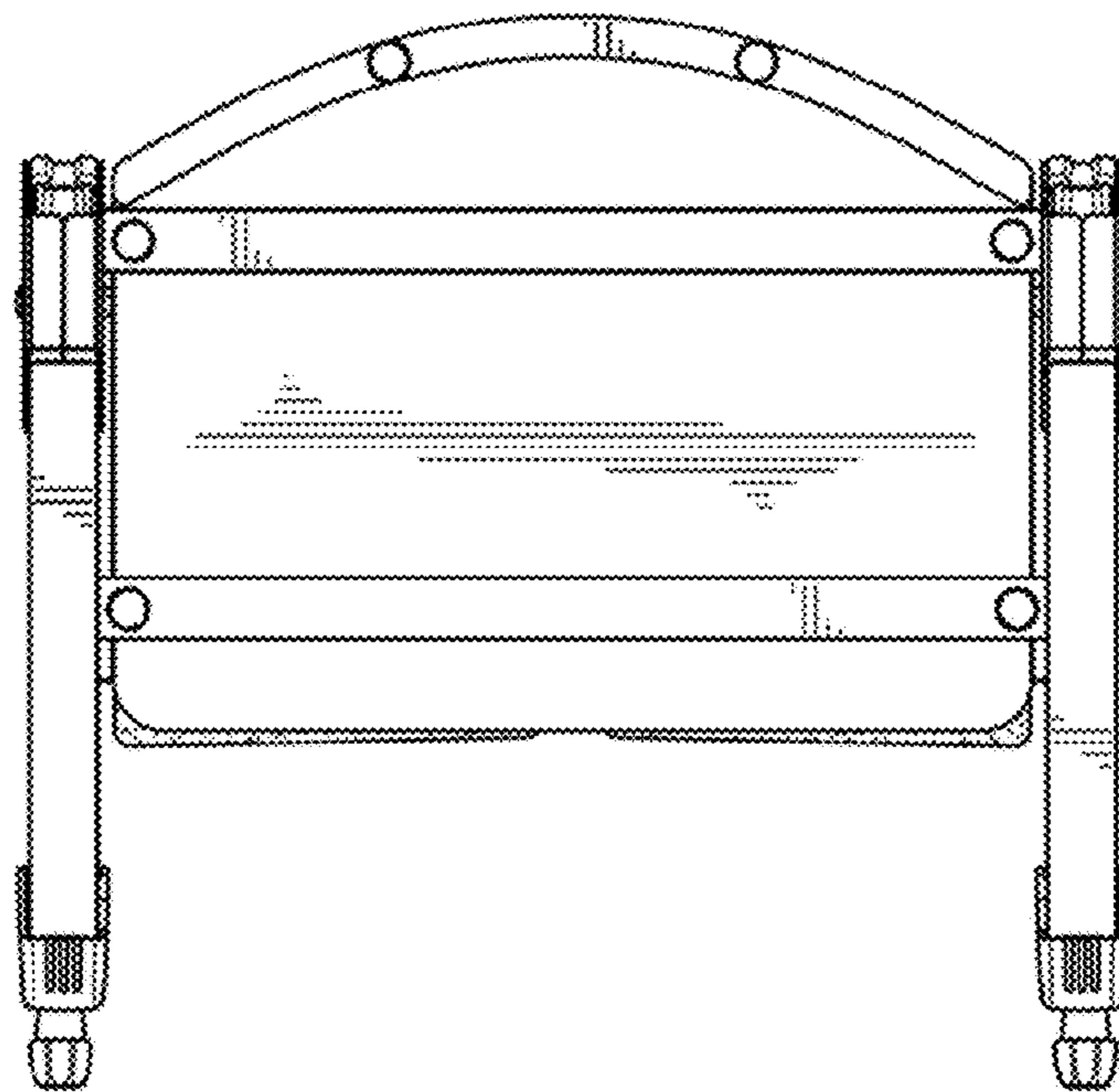


Fig. 7

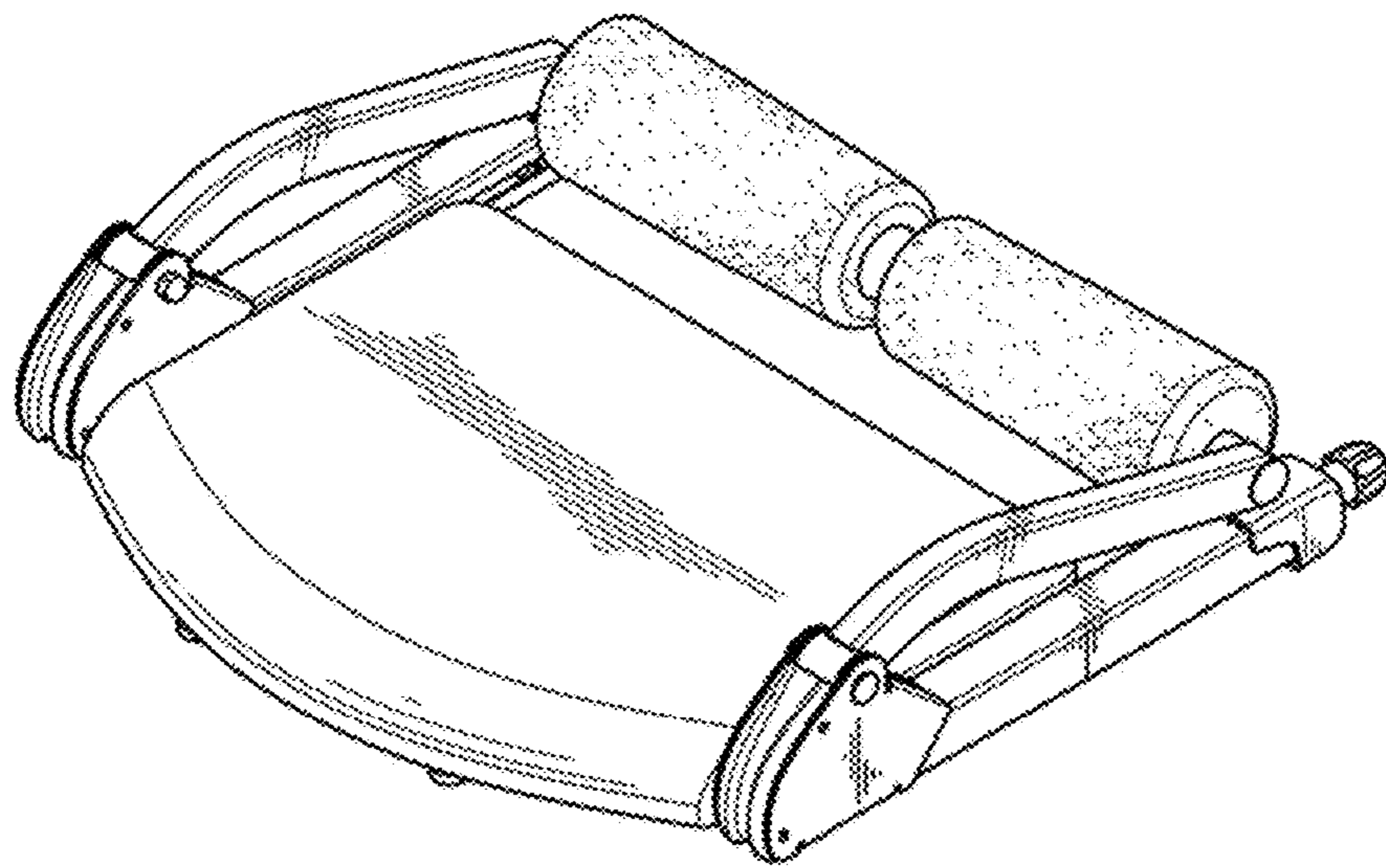


Fig. 8