



US00D727440S

(12) **United States Design Patent**  
**Ho et al.**

(10) **Patent No.:** **US D727,440 S**

(45) **Date of Patent:** **\*\* Apr. 21, 2015**

(54) **ABDOMEN EXERCISER**

(71) Applicants: **Wei-Teh Ho**, Taipei (TW); **Willy Ho**, Taipei (TW)

(72) Inventors: **Wei-Teh Ho**, Taipei (TW); **Willy Ho**, Taipei (TW)

(\*\*) Term: **14 Years**

(21) Appl. No.: **29/449,935**

(22) Filed: **Mar. 15, 2013**

(51) **LOC (10) Cl.** ..... **21-02**

(52) **U.S. Cl.**  
USPC ..... **D21/681**

(58) **Field of Classification Search**

CPC ..... A63B 21/068; A63B 26/00; A63B 23/02; A63B 2/05; A63B 2/11; A63B 2/16; A63B 2/22; A63B 2/33

USPC ..... D21/662, 686, 687, 688, 689, 671, 672, D21/673; 482/130, 131, 132, 133, 140, 142  
See application file for complete search history.

(56) **References Cited**

**U.S. PATENT DOCUMENTS**

5,599,261 A \* 2/1997 Easley et al. .... 482/130  
5,769,766 A \* 6/1998 Huang ..... 482/140  
5,871,425 A \* 2/1999 Gvoich ..... 482/140

6,168,557 B1 \* 1/2001 Liao ..... 482/140  
D476,384 S \* 6/2003 Perez ..... D21/690  
D478,137 S \* 8/2003 Ho et al. .... D21/687  
7,179,212 B2 \* 2/2007 Hsiung et al. .... 482/140  
7,686,750 B2 \* 3/2010 Tuller ..... 482/142  
D703,280 S \* 4/2014 Ho et al. .... D21/687

\* cited by examiner

*Primary Examiner* — Phillip S Hyder

(74) *Attorney, Agent, or Firm* — Blakely Sokoloff Taylor Zafman LLP

(57) **CLAIM**

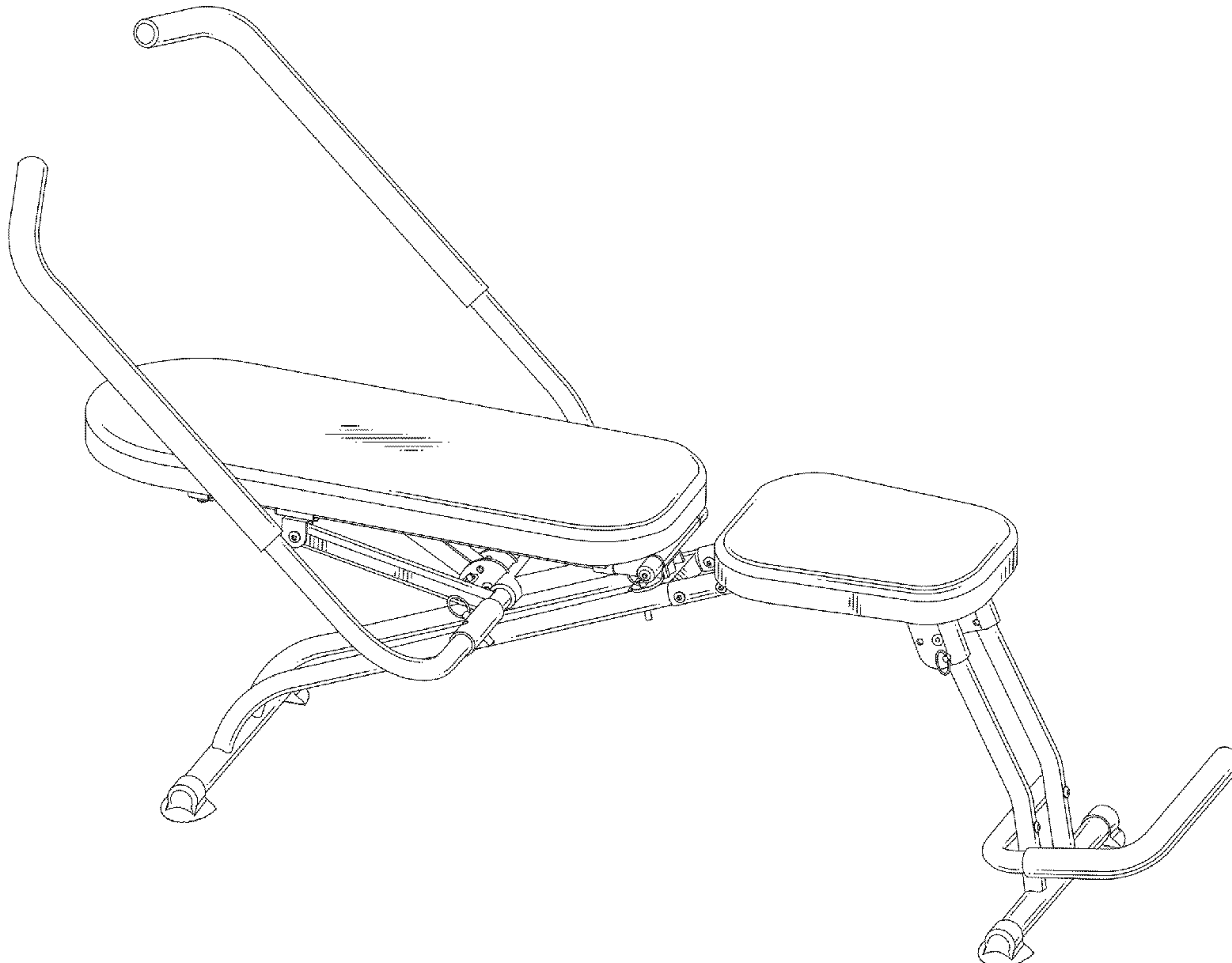
The ornamental design for an abdomen exerciser, as shown and described.

**DESCRIPTION**

FIG. 1 is a perspective view showing the new design for an embodiment of an abdomen developing exerciser machine; FIG. 2 is a front view thereof; FIG. 3 is rear view thereof; FIG. 4 is a right side view thereof; FIG. 5 is a left side view thereof; FIG. 6 is a top view thereof; and, FIG. 7 is a bottom view thereof.

The broken lines appearing in FIG. 7 depict portions of the abdominal exerciser in which the design is embodied that are not considered part of the claimed design.

**1 Claim, 7 Drawing Sheets**



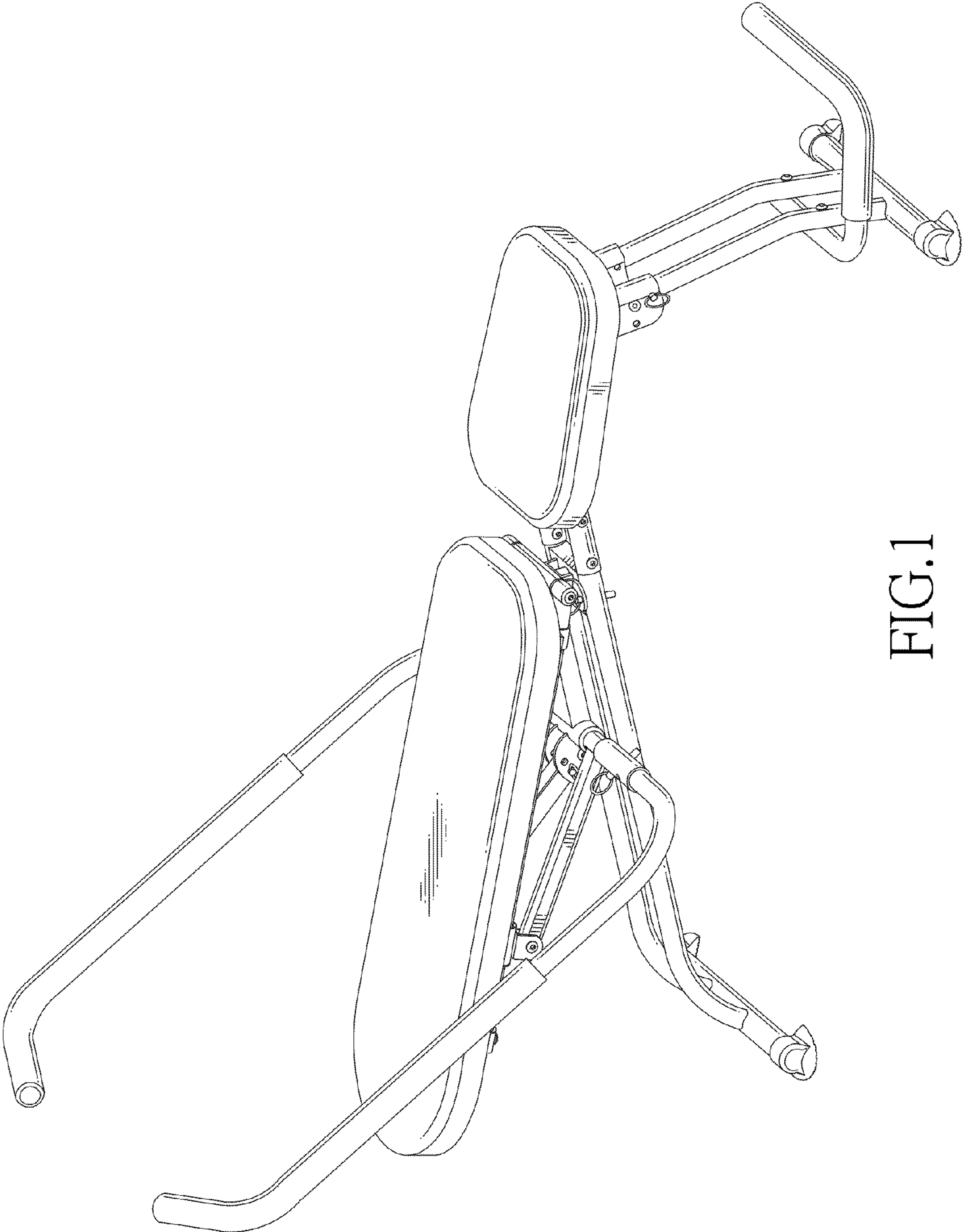


FIG.1

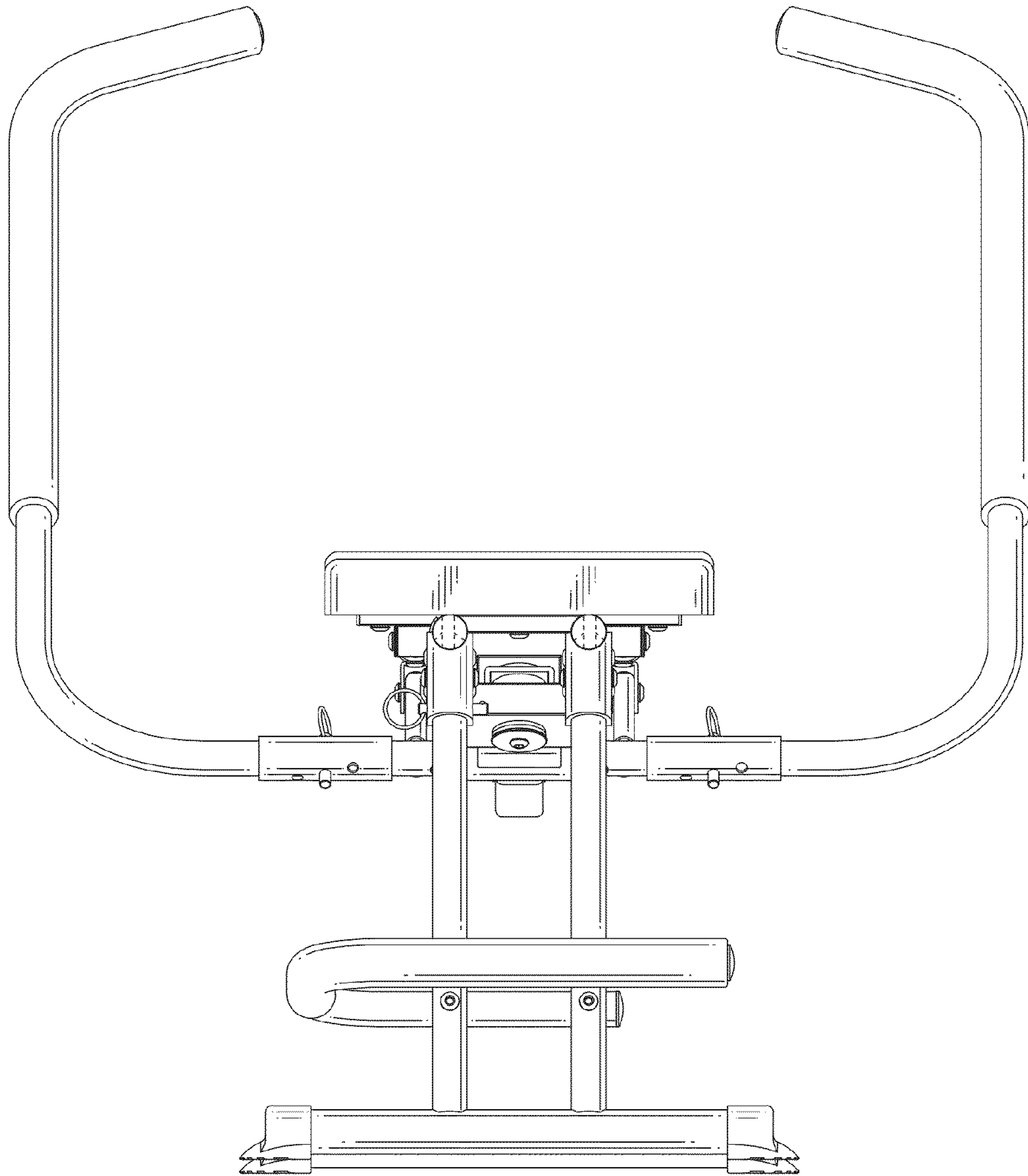


FIG.2

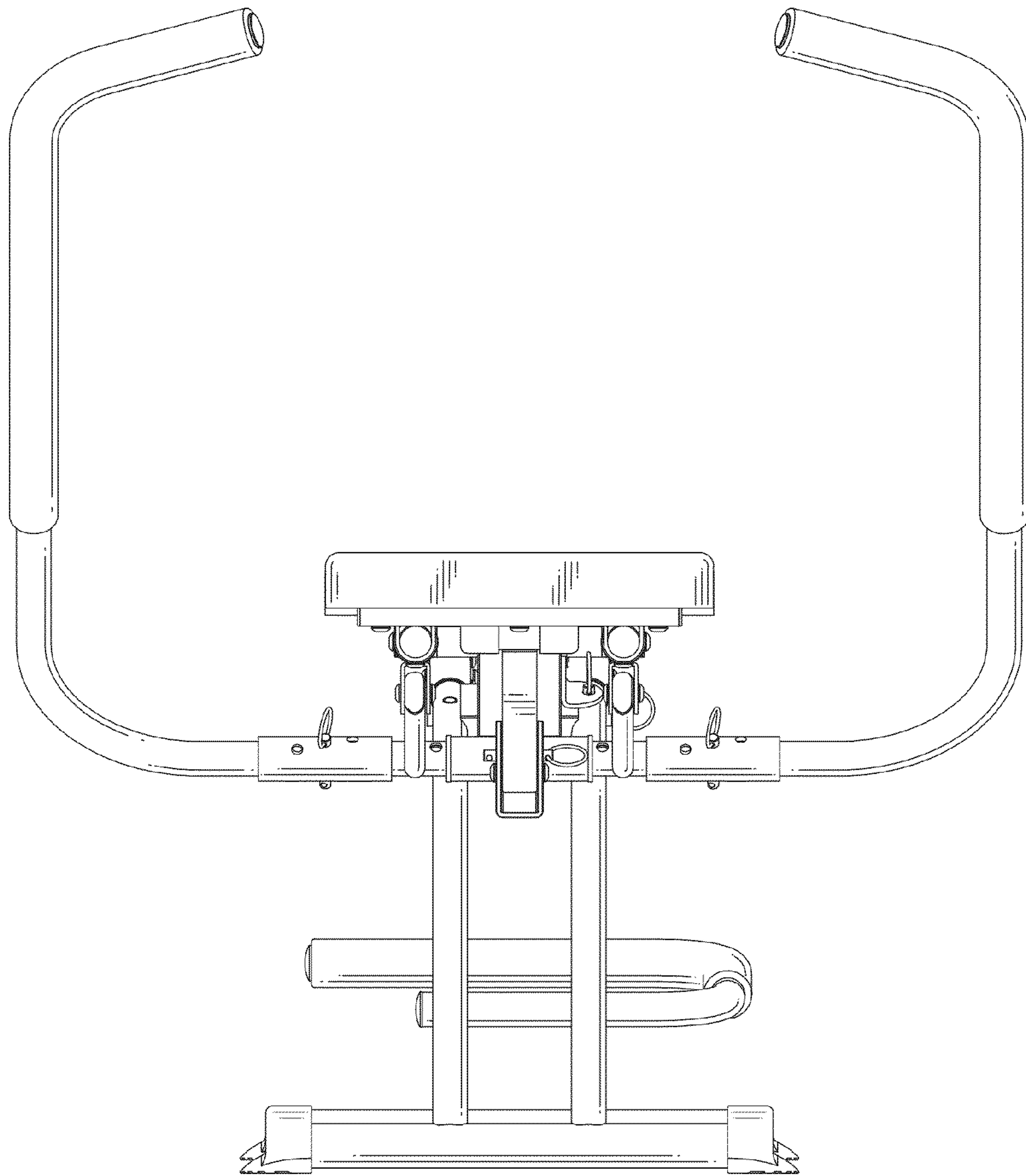


FIG.3

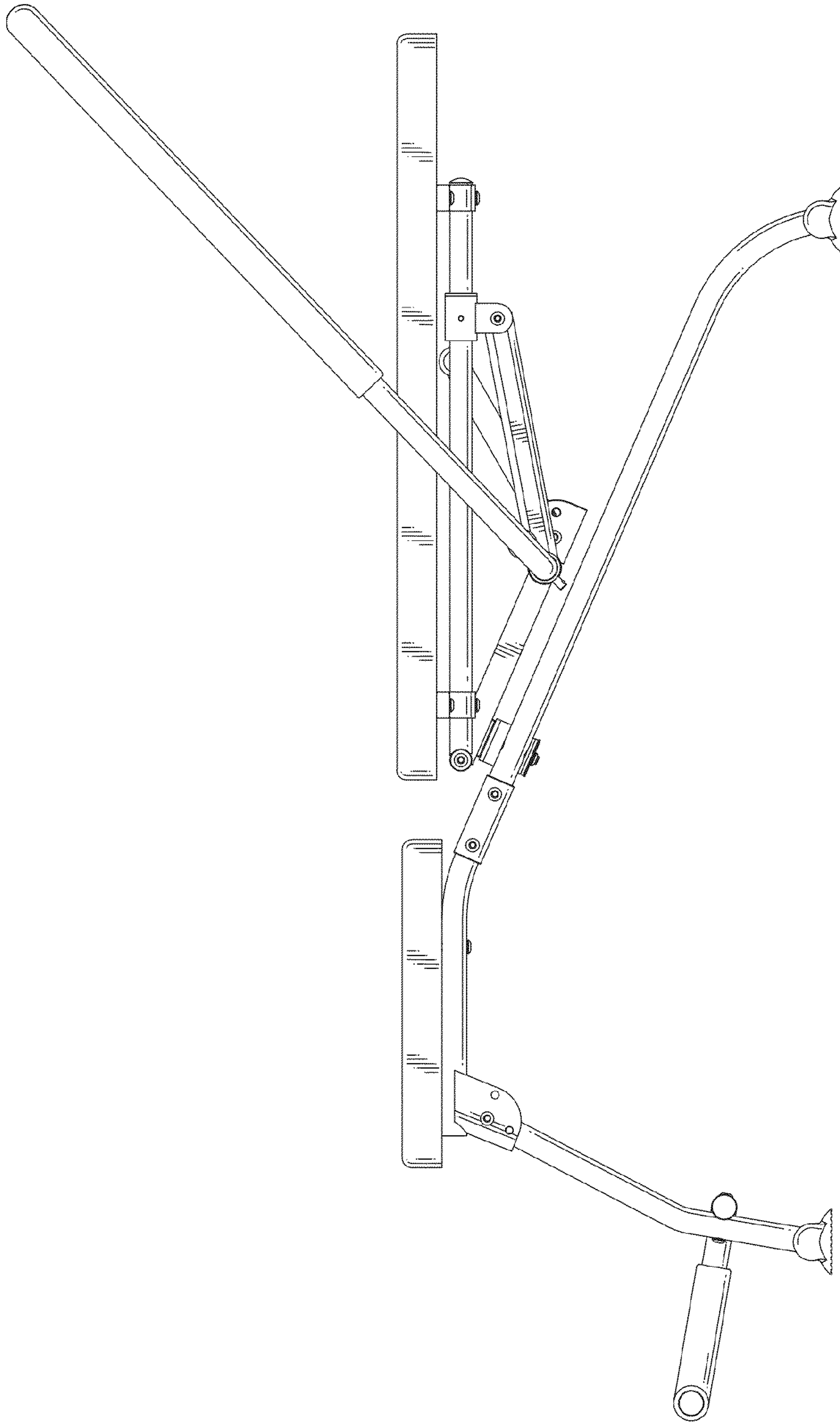


FIG.4



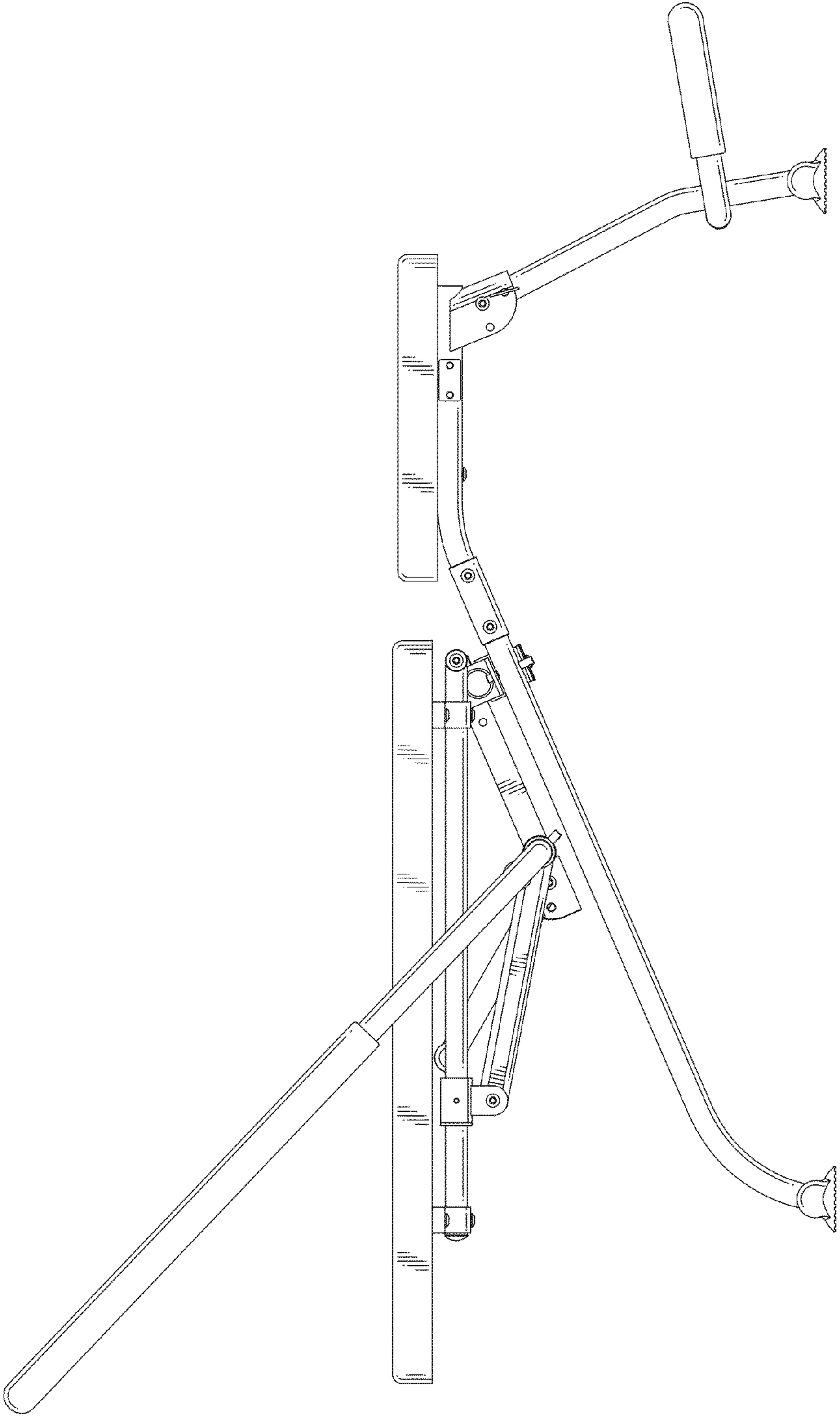


FIG.5

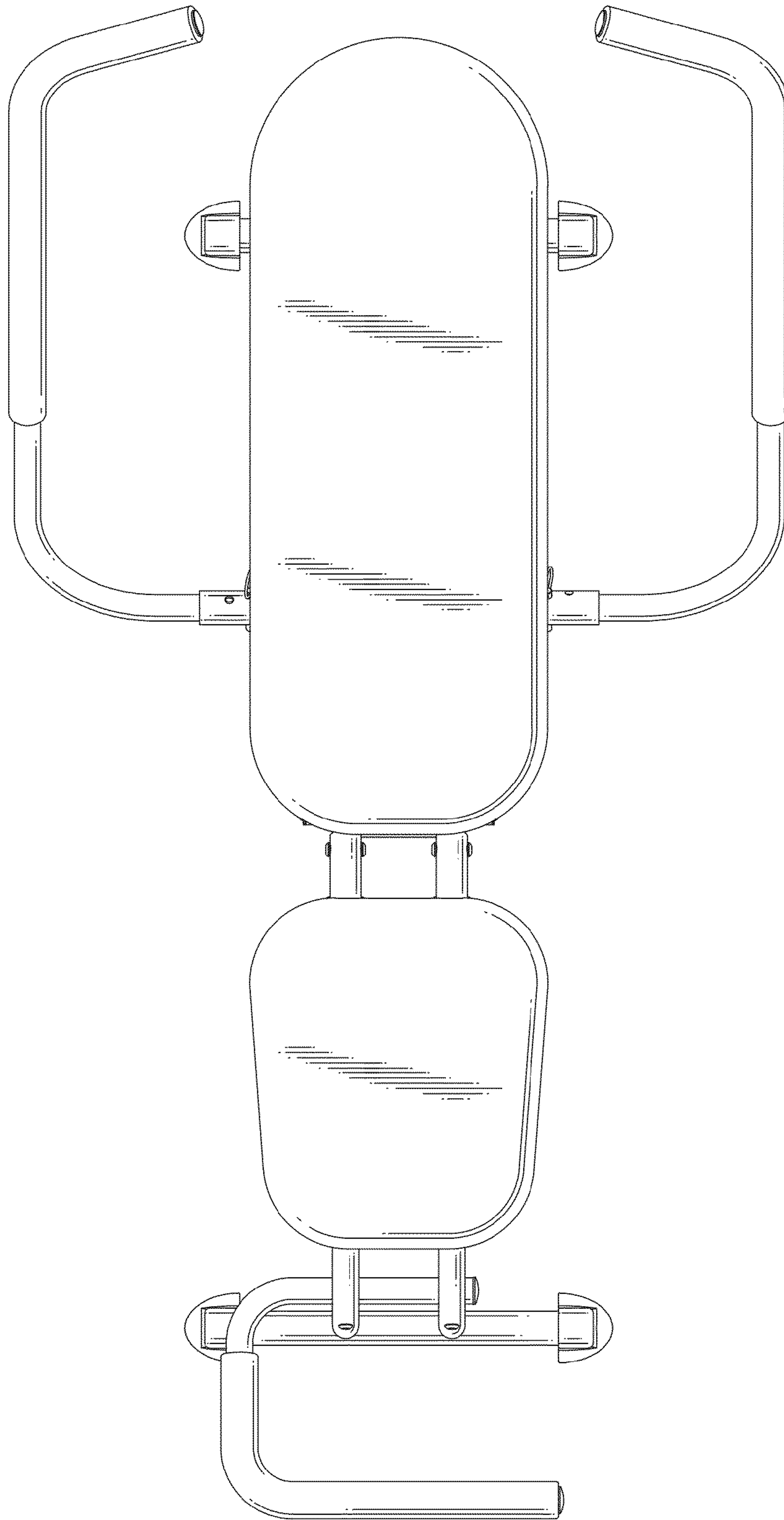


FIG.6

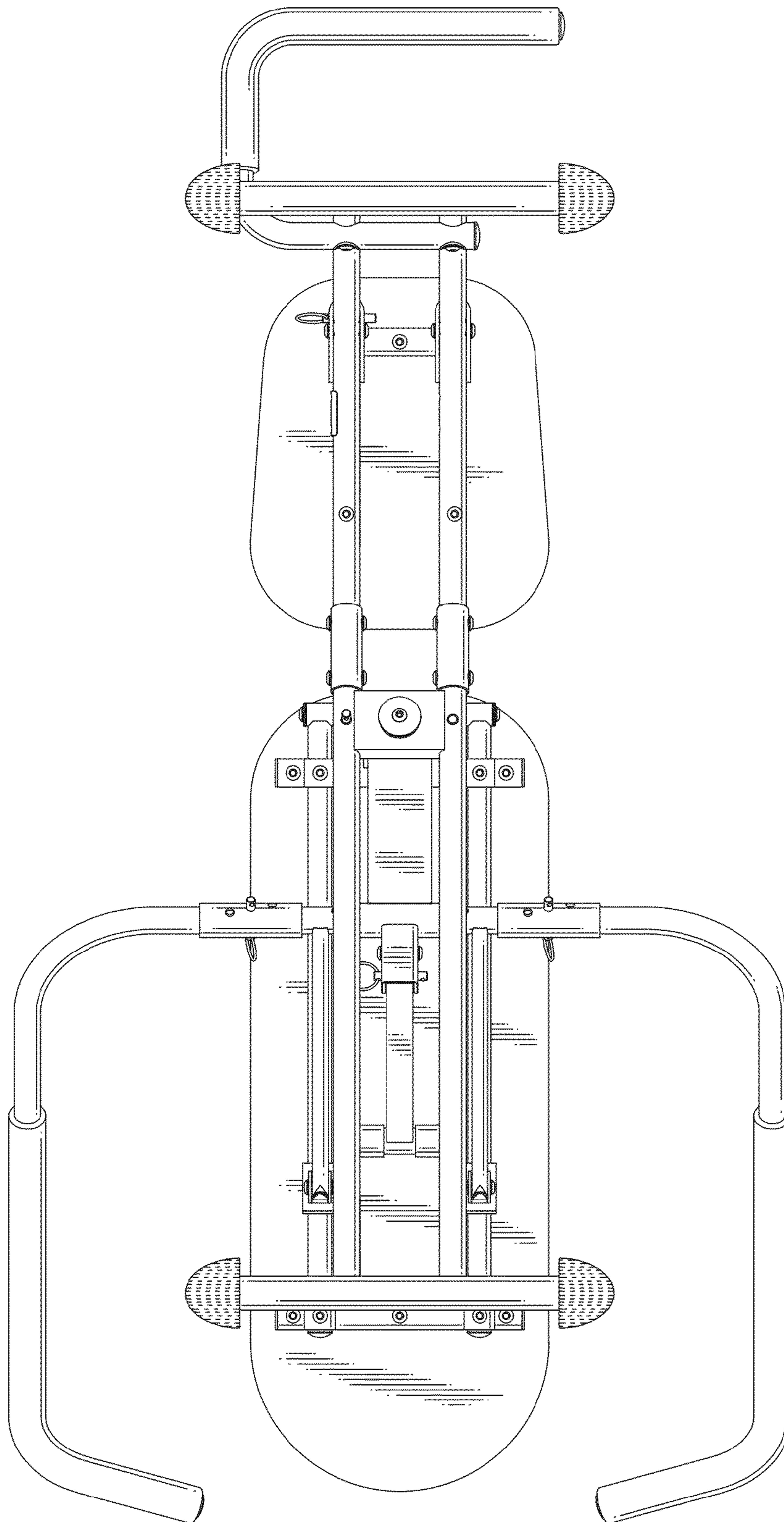


FIG. 7