



US00D727432S

(12) **United States Design Patent**  
**Salvatore**

(10) **Patent No.:** **US D727,432 S**  
(45) **Date of Patent:** **\*\* Apr. 21, 2015**

(54) **NOISE MAKER**

(71) Applicant: **Don Salvatore**, King City (CA)

(72) Inventor: **Don Salvatore**, King City (CA)

(\*\*) Term: **14 Years**

(21) Appl. No.: **29/500,088**

(22) Filed: **Aug. 21, 2014**

**Related U.S. Application Data**

(62) Division of application No. 29/427,029, filed on Jul. 12, 2012, now Pat. No. Des. 714,395.

(30) **Foreign Application Priority Data**

May 10, 2012 (CA) ..... 145650

(51) **LOC (10) Cl.** ..... **21-01**

(52) **U.S. Cl.**  
USPC ..... **D21/405**

(58) **Field of Classification Search**  
USPC ..... D21/398, 405-408; D17/22, 24, 99;  
D20/29, 41, 99; D10/116.1, 118,  
D10/119.4; 446/81, 265, 266, 397,  
446/418-422, 487; 84/402-404  
See application file for complete search history.

(56) **References Cited**

**U.S. PATENT DOCUMENTS**

|             |         |             |         |
|-------------|---------|-------------|---------|
| 13,823 A    | 11/1855 | McCord      |         |
| 174,704 A   | 3/1876  | Rice        |         |
| 298,575 A * | 5/1884  | Goodfellow  | 446/265 |
| D21,764 S   | 8/1892  | Crandall    |         |
| 759,003 A * | 5/1904  | McCann      | 446/420 |
| 1,173,141 A | 2/1916  | Bartholomae |         |
| 1,374,644 A | 4/1921  | Folkush     |         |
| 1,693,140 A | 11/1928 | Dietze, Jr. |         |

|               |         |                 |         |
|---------------|---------|-----------------|---------|
| 1,764,982 A   | 6/1930  | Reich et al.    |         |
| 1,840,773 A   | 1/1932  | Felgner         |         |
| D151,599 S    | 11/1948 | Colm            |         |
| 4,454,204 A   | 6/1984  | Posey           |         |
| 4,976,651 A * | 12/1990 | Frank           | 446/421 |
| D338,930 S    | 8/1993  | Matchett et al. |         |
| D364,653 S    | 11/1995 | Boden           |         |
| D364,654 S    | 11/1995 | Boden           |         |
| D422,646 S    | 4/2000  | Palardis et al. |         |
| D440,252 S    | 4/2001  | Cohen           |         |
| D459,382 S    | 6/2002  | Cohen           |         |
| D459,749 S    | 7/2002  | Cohen           |         |
| D463,482 S *  | 9/2002  | Cohen           | D17/22  |
| 6,736,695 B1  | 5/2004  | Hoch            |         |

(Continued)

**FOREIGN PATENT DOCUMENTS**

|    |          |           |
|----|----------|-----------|
| GB | 2054967  | 7/1996    |
| JP | D1067598 | * 12/2001 |

*Primary Examiner* — Catherine Tuttle

(74) *Attorney, Agent, or Firm* — Wolf, Greenfield & Sacks, P.C.

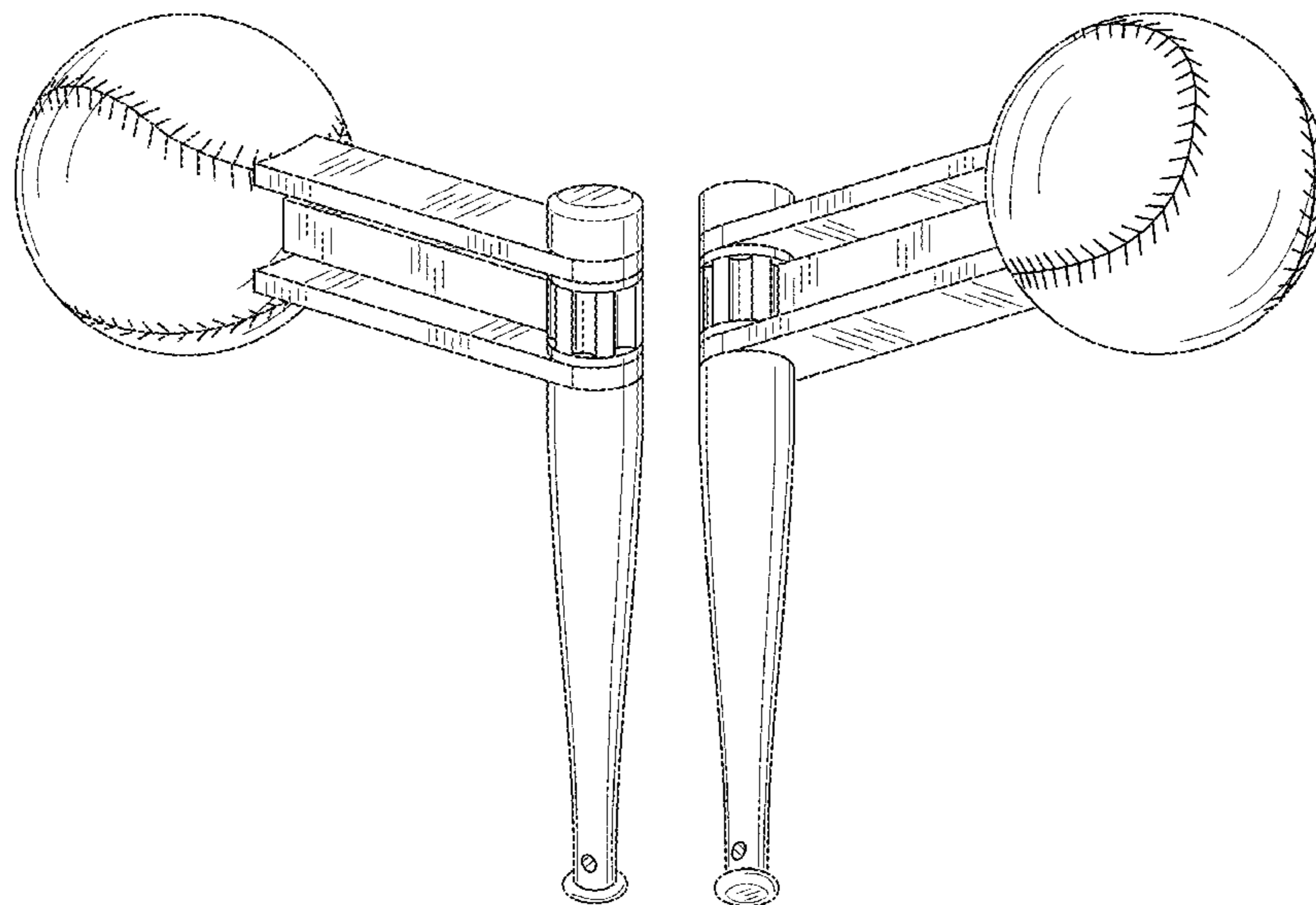
(57) **CLAIM**

The ornamental design for the noise maker, as shown and described.

**DESCRIPTION**

FIG. 1 is a front, right and top perspective view of a noise maker showing my new design;  
FIG. 2 is a rear, left and bottom perspective view thereof;  
FIG. 3 is a front elevation view thereof;  
FIG. 4 is a right side elevation view thereof;  
FIG. 5 is a rear elevation view thereof;  
FIG. 6 is a left side elevation view thereof;  
FIG. 7 is a top plan view thereof; and,  
FIG. 8 is a bottom plan view thereof.

**1 Claim, 4 Drawing Sheets**



(56)

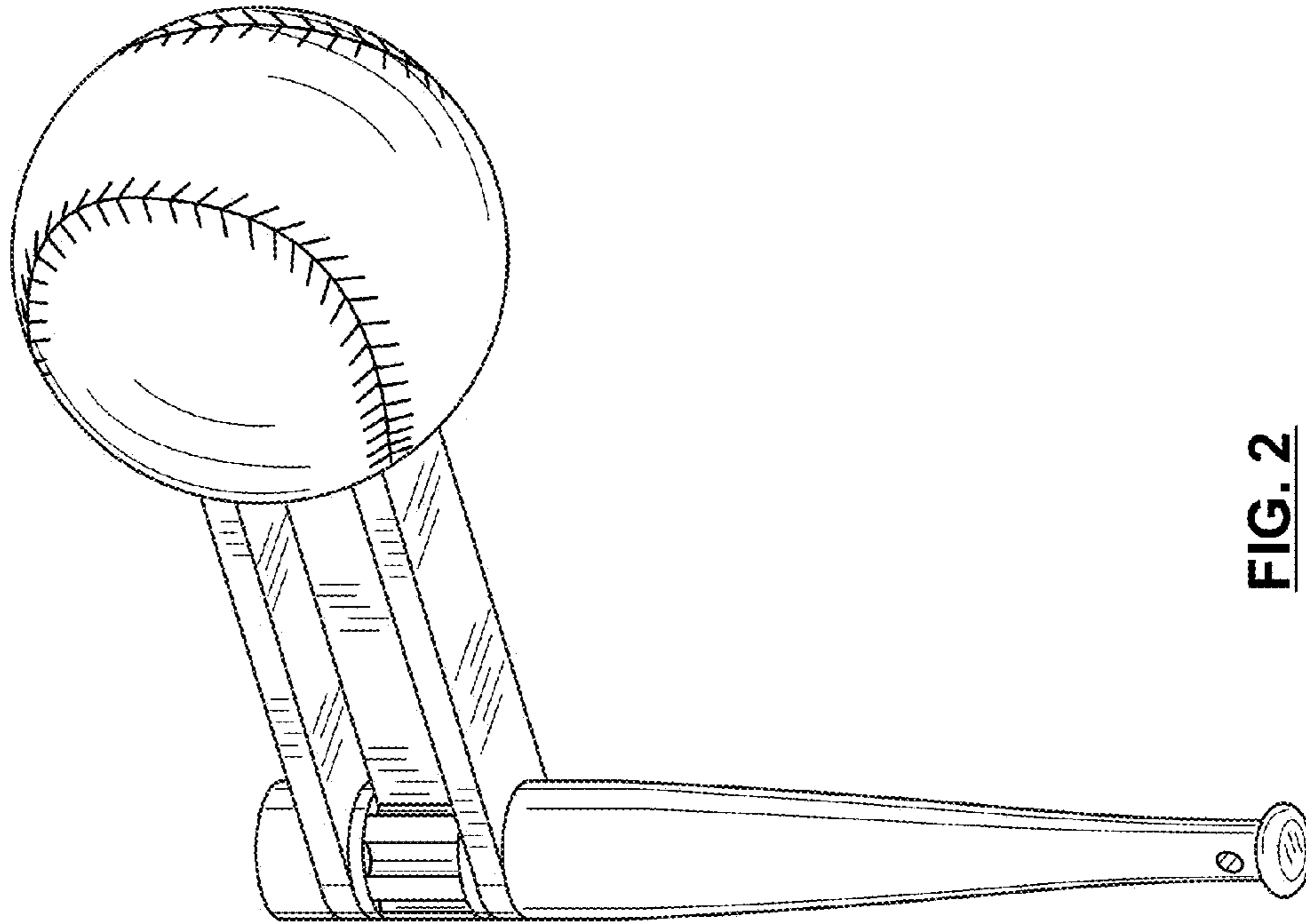
**References Cited**

U.S. PATENT DOCUMENTS

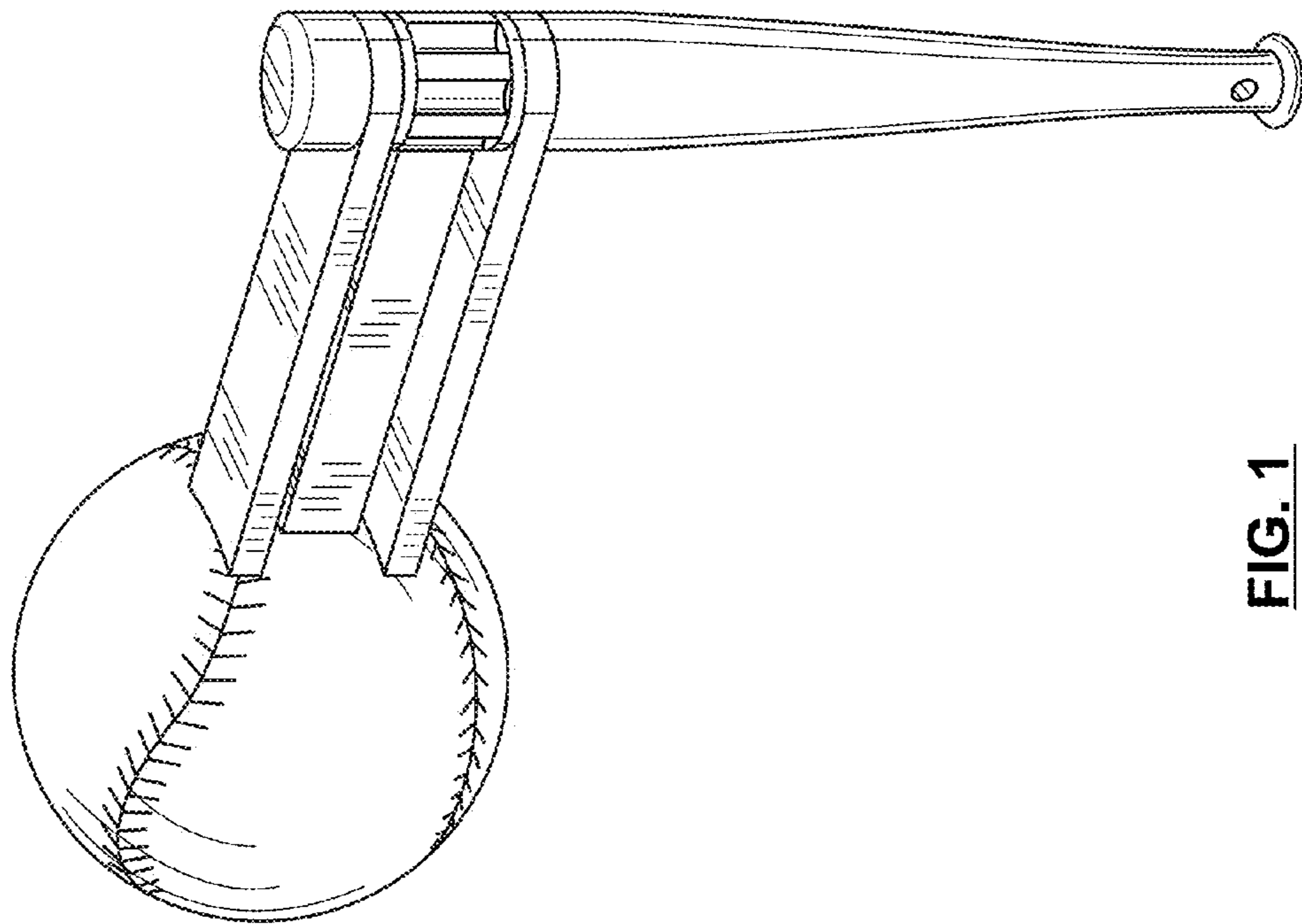
6,817,922 B1 11/2004 Davies  
D546,898 S 7/2007 Cooper  
7,361,074 B1\* 4/2008 Periman et al. .... 446/242  
D598,057 S \* 8/2009 Garcia ..... D21/405

D636,029 S \* 4/2011 Jarrett ..... D20/29  
D689,120 S \* 9/2013 Lochen ..... D17/10  
2003/0222404 A1\* 12/2003 Estrada et al. .... 273/440  
2006/0166598 A1 7/2006 Hoch

\* cited by examiner



**FIG. 2**



**FIG. 1**

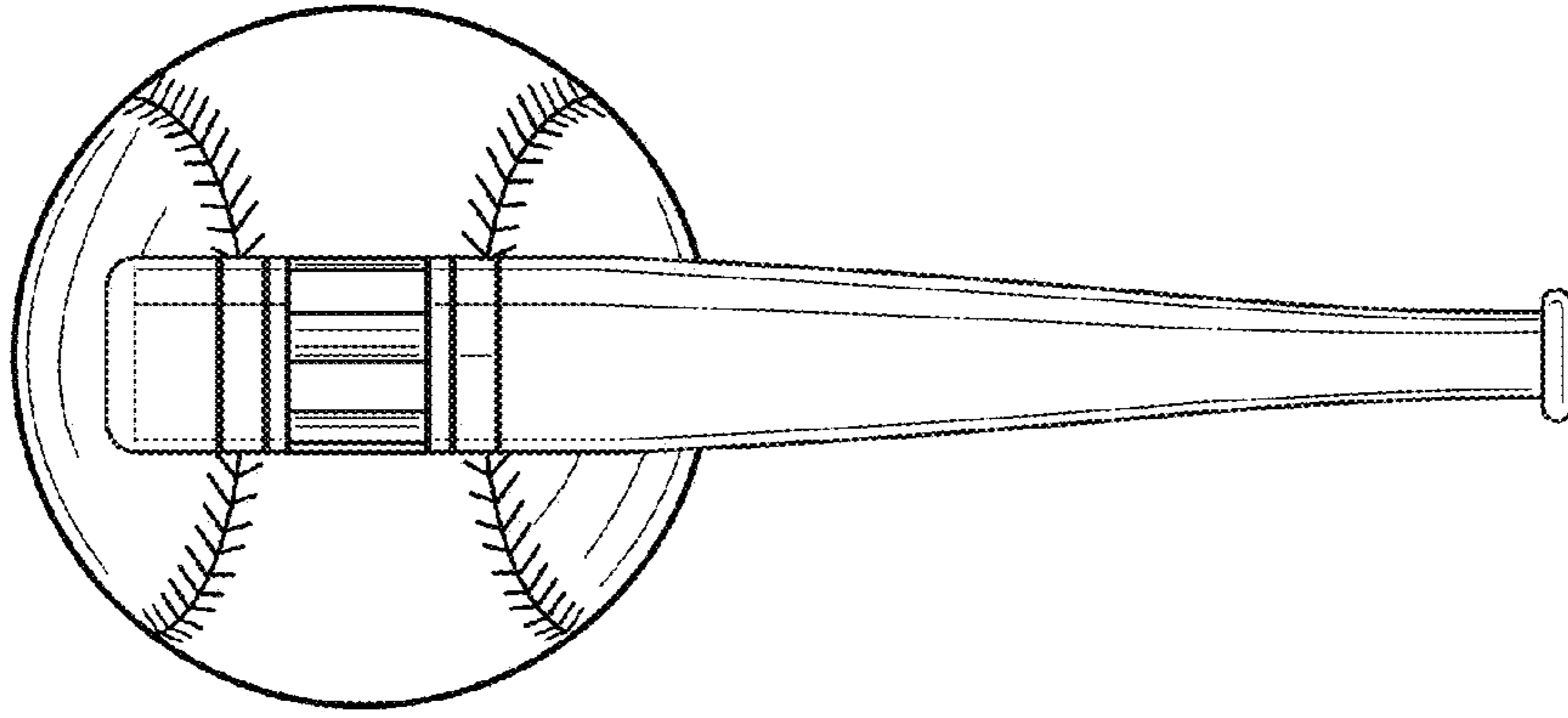


FIG. 4

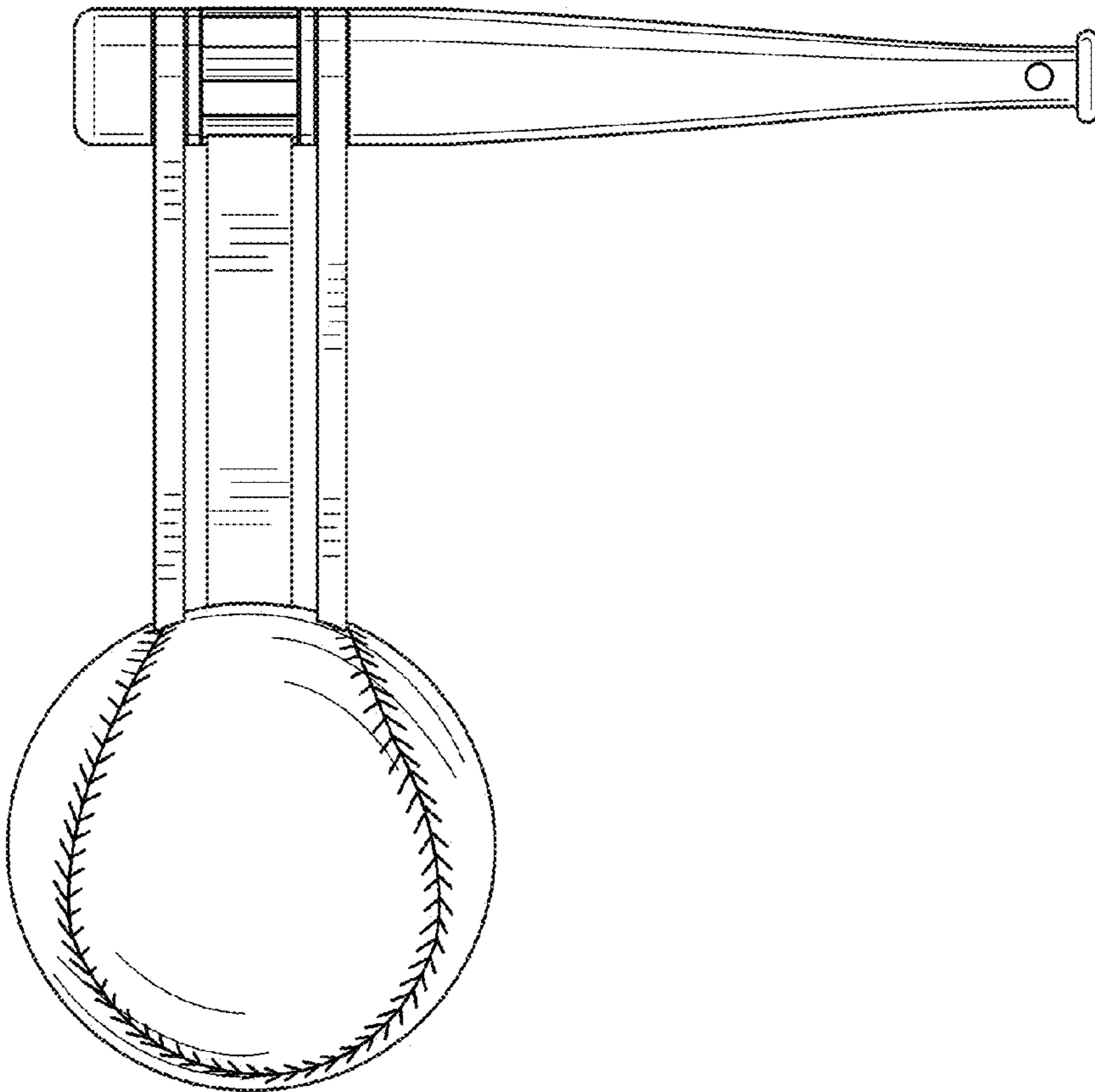
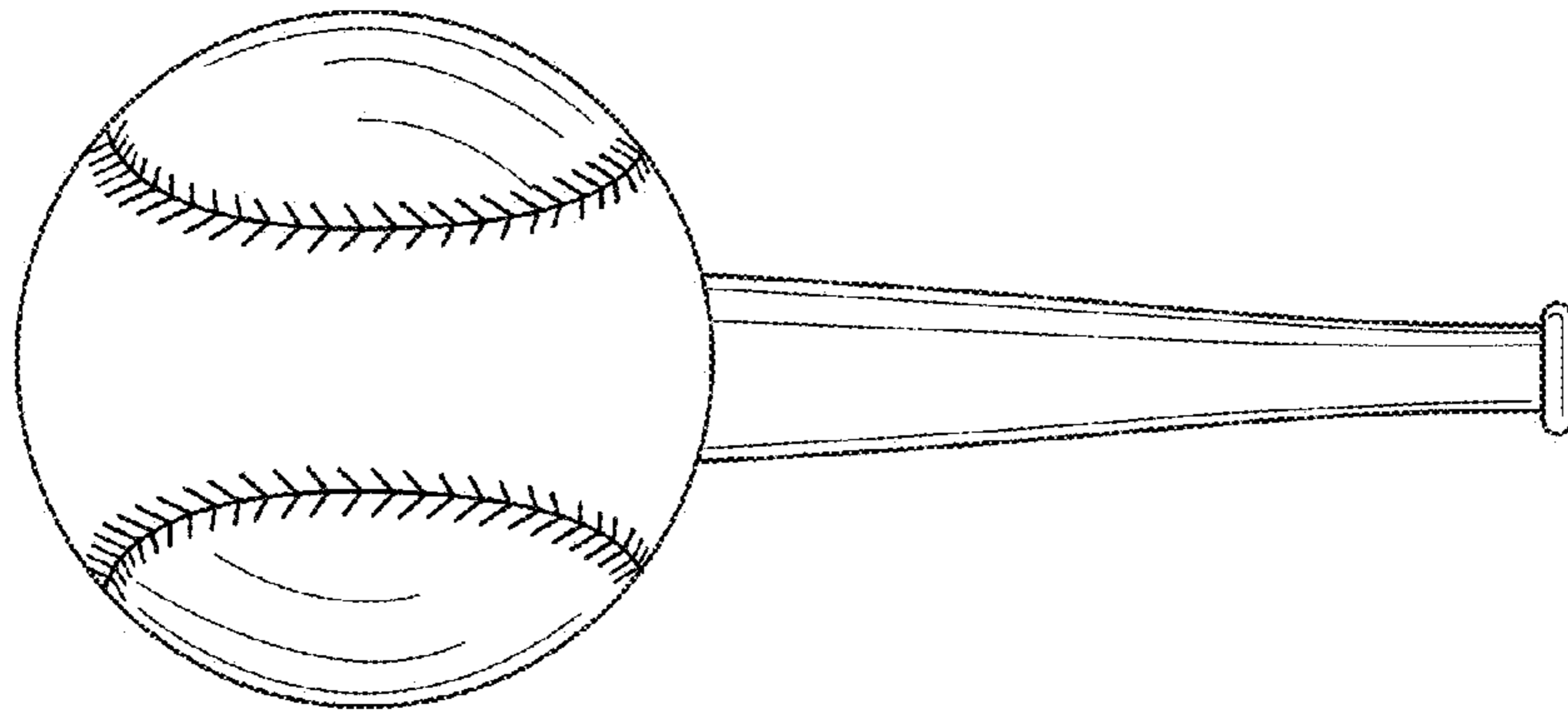
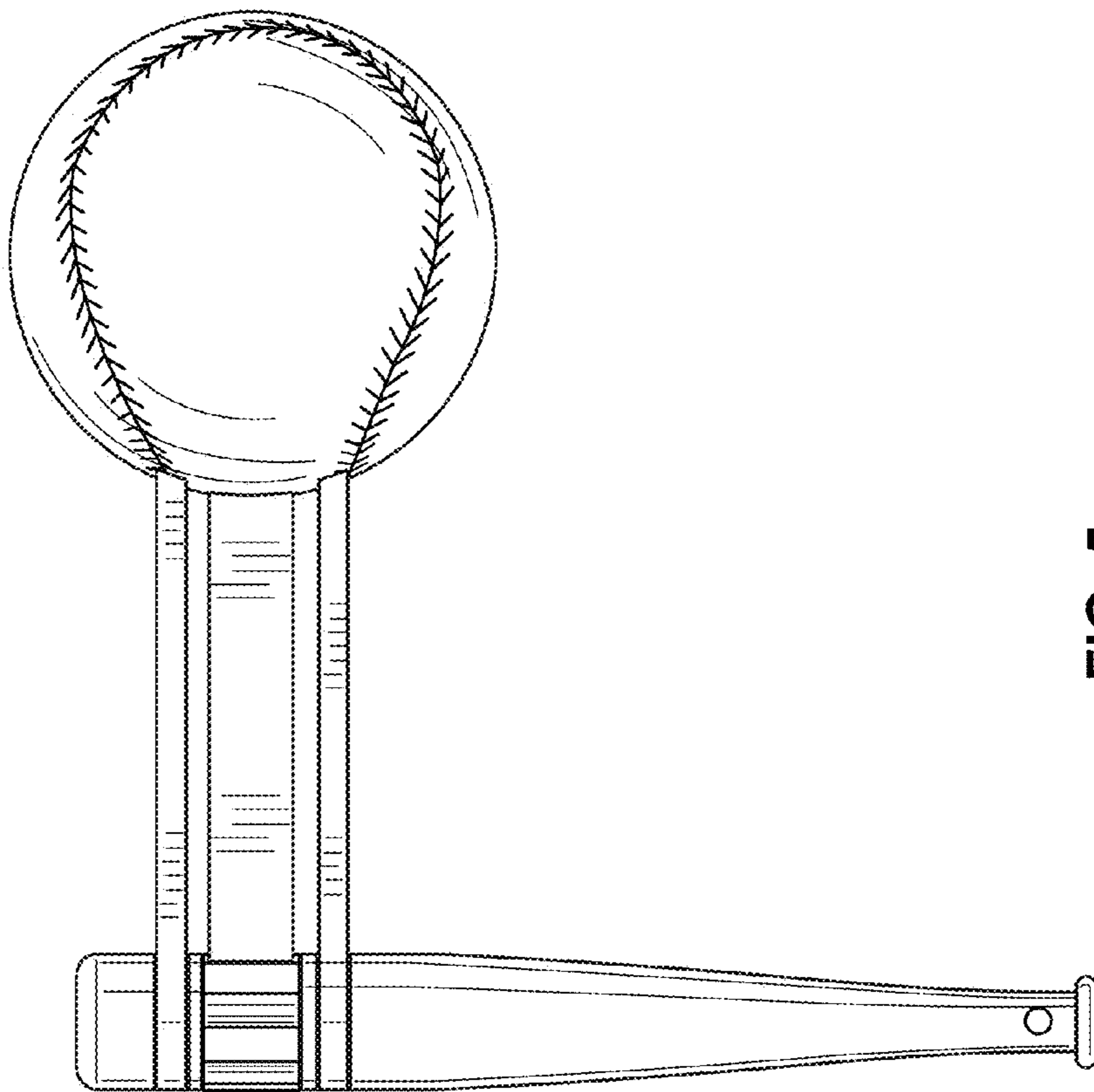


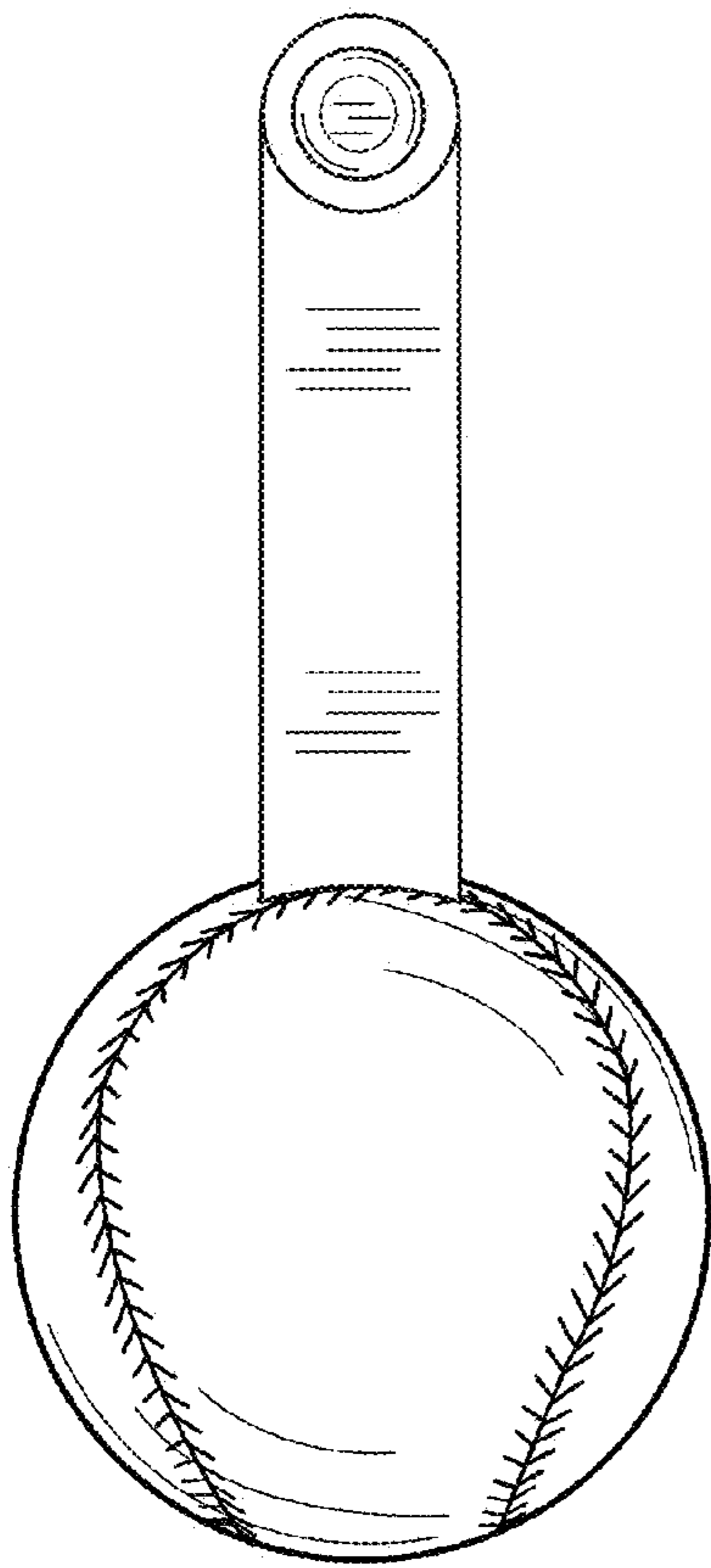
FIG. 3



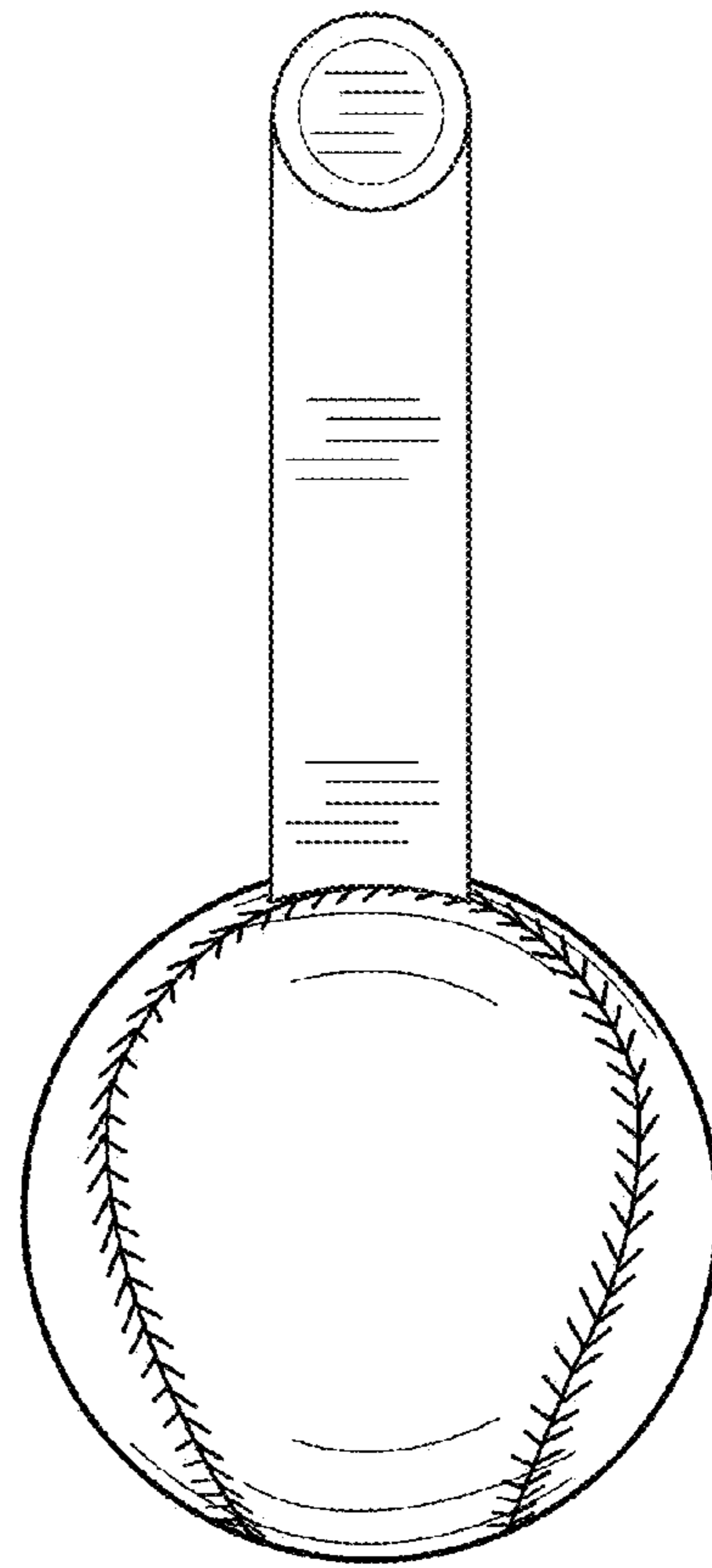
**FIG. 6**



**FIG. 5**



**FIG. 7**



**FIG. 8**