



US00D727431S

(12) **United States Design Patent**
Themann

(10) **Patent No.:** **US D727,431 S**

(45) **Date of Patent:** **** Apr. 21, 2015**

(54) **GAMBLING MACHINE**

D554,708 S * 11/2007 Gutknecht et al. D21/370
D599,859 S * 9/2009 Lesley et al. D21/370
D684,637 S * 6/2013 Shelley et al. D21/370

(71) Applicant: **adp Gauselmann GmbH**, Espelkamp
(DE)

* cited by examiner

(72) Inventor: **Jens-Uwe Themann**, Lübbecke (DE)

Primary Examiner — Sandra Morris

(73) Assignee: **adp Gauselmann**, Espelkamp (DE)

(74) *Attorney, Agent, or Firm* — Ursula B. Day; Law firm of
Ursula B. Day

(**) Term: **14 Years**

(57) **CLAIM**

The ornamental design for a gambling machine, as shown and
described.

(21) Appl. No.: **29/479,149**

DESCRIPTION

(22) Filed: **Jan. 13, 2014**

(30) **Foreign Application Priority Data**

Jul. 15, 2013 (EM) 2274506

(51) **LOC (10) Cl.** **21-03**

(52) **U.S. Cl.**

USPC **D21/370**

(58) **Field of Classification Search**

CPC A63F 59/04

USPC D21/324–329, 369–370; 273/146;

463/17, 20, 46–47; D14/306

See application file for complete search history.

FIG. 1 is a front elevational view of a gambling machine
showing my new design;

FIG. 2 is a rear elevational view thereof;

FIG. 3 is a top plan view thereof;

FIG. 4 is a right side elevational view, the left side being a
mirror image thereof; and

FIG. 5 is a front right side perspective view thereof;

FIG. 6 is top plan view of a second embodiment of my design;

FIG. 7 is a front right side perspective view of the embodi-
ment of FIG. 6, with the front view, rear and side views being
the same as in FIGS. 1, 2 and 4;

FIG. 8 is front elevational view of a third embodiment of my
design;

FIG. 9 is a top plan view thereof;

FIG. 10 is a front right side perspective view thereof, with the
rear and side views being the same as in FIGS. 2 and 4; and,

FIG. 11 is a rear left side perspective view of the embodiments
in FIGS. 6 and 8.

(56) **References Cited**

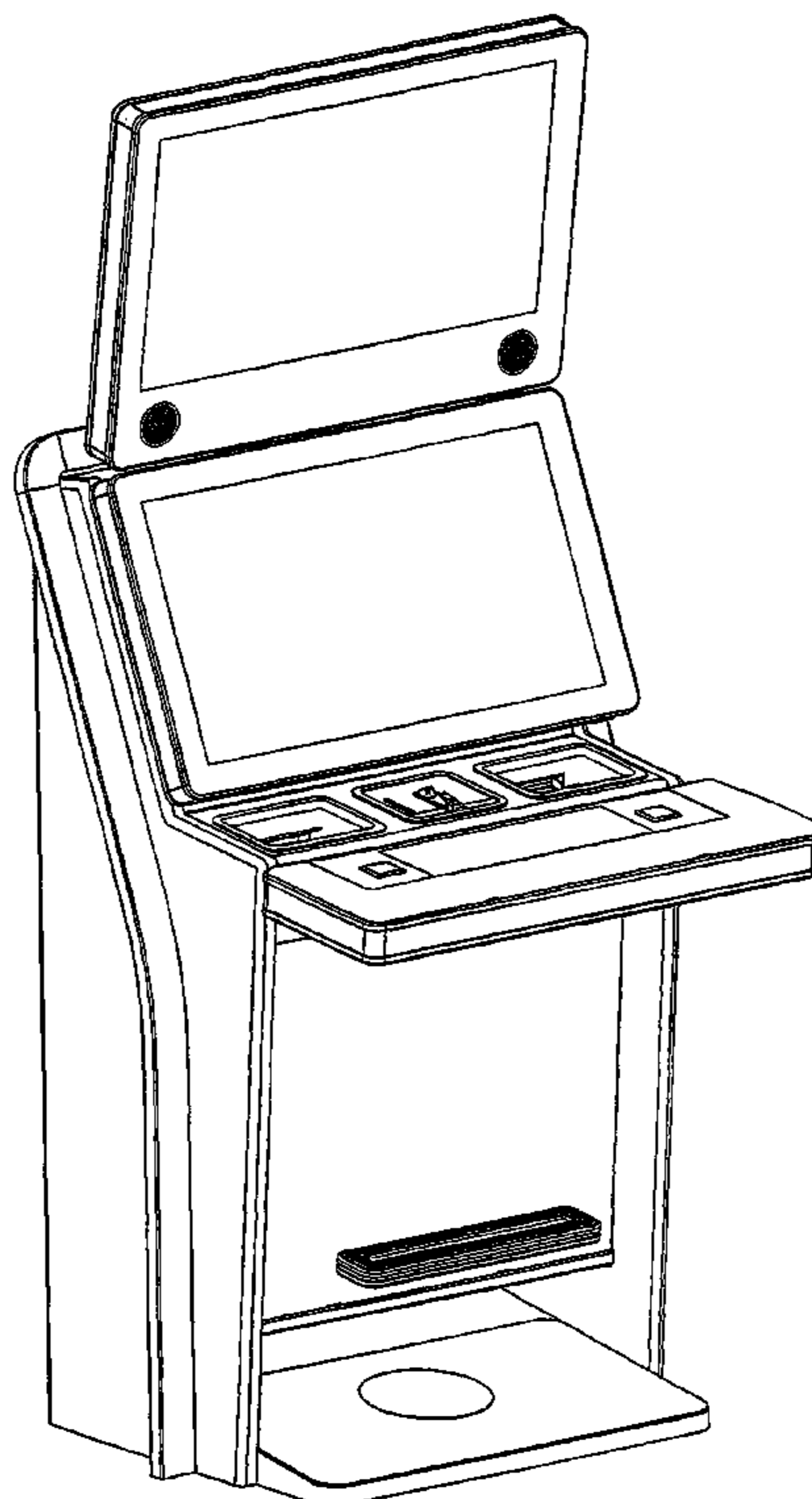
U.S. PATENT DOCUMENTS

D481,078 S * 10/2003 Stephan D21/369

D492,676 S * 7/2004 Monson et al. D14/306

D546,893 S * 7/2007 Yamashita D21/325

1 Claim, 11 Drawing Sheets



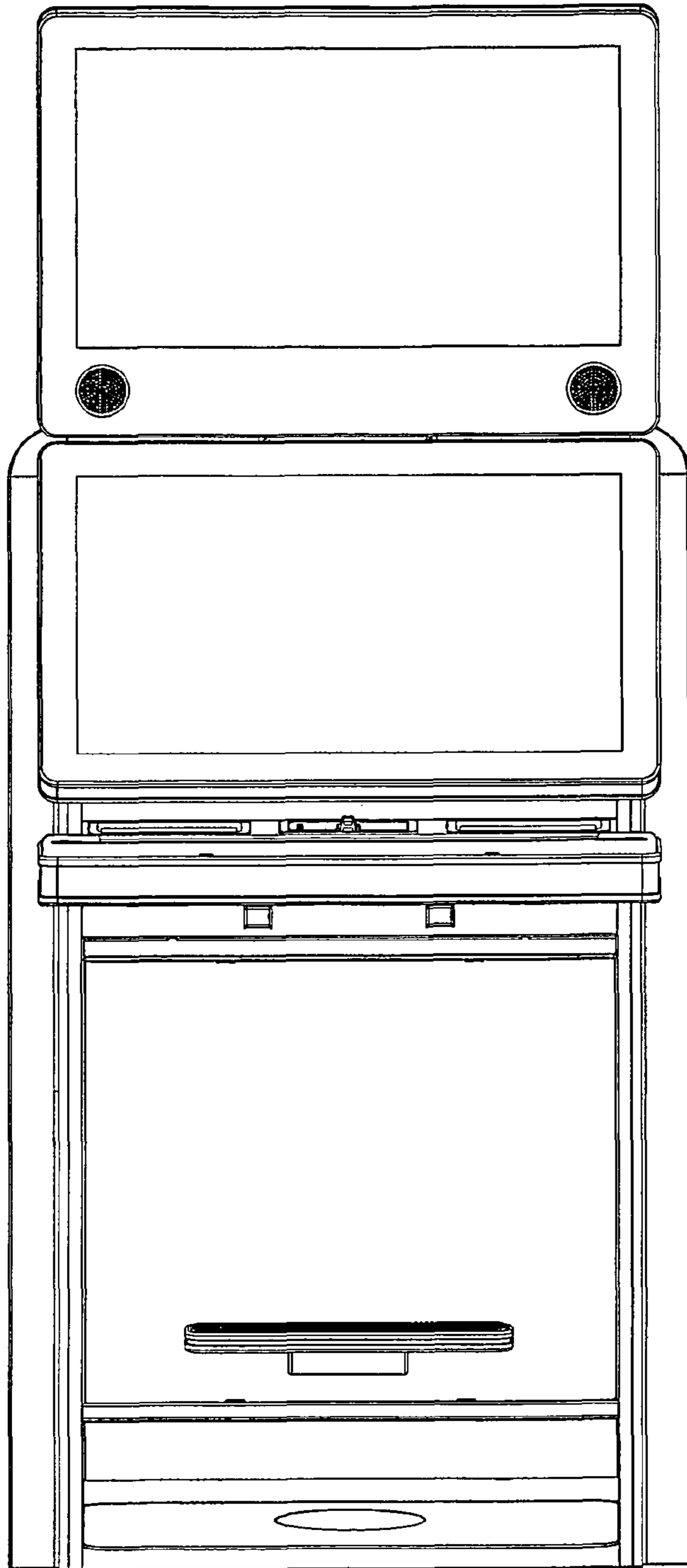


FIG. 1

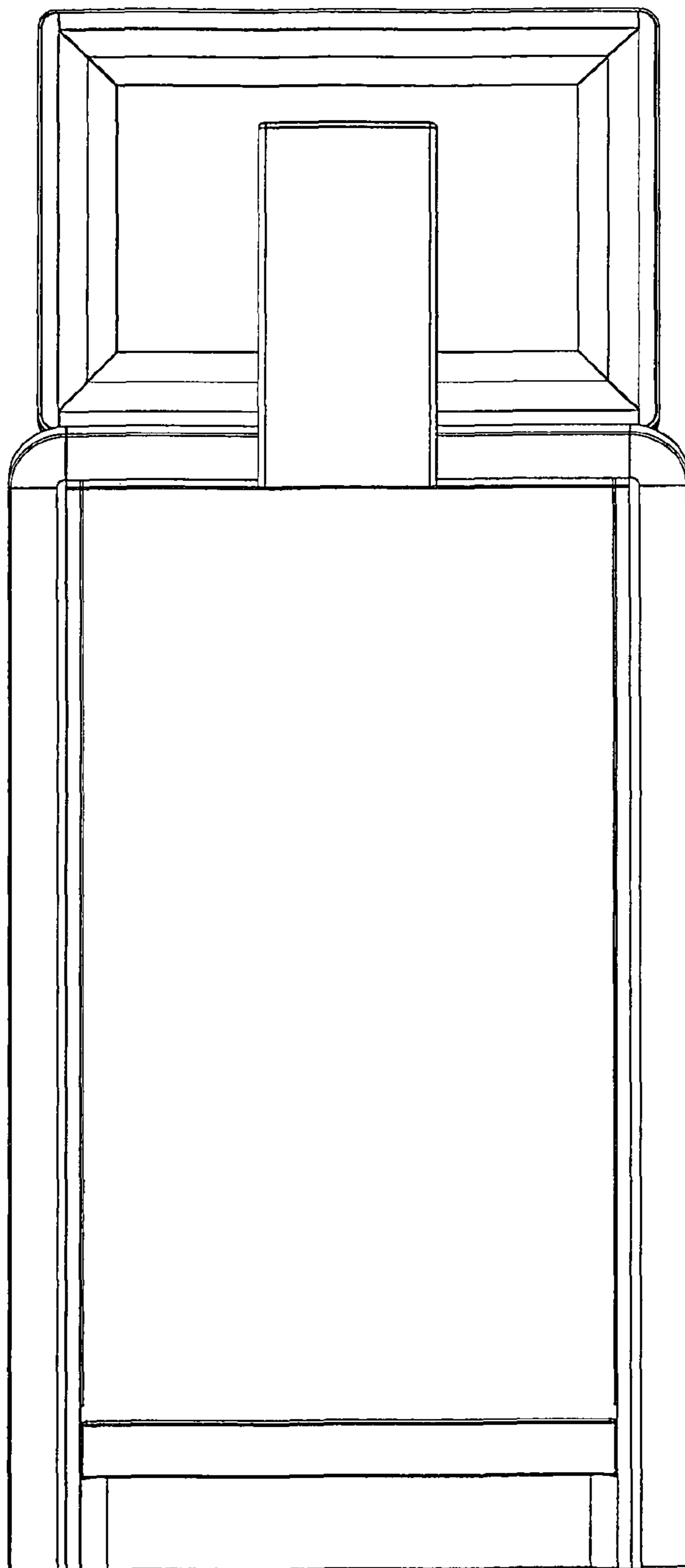


FIG. 2

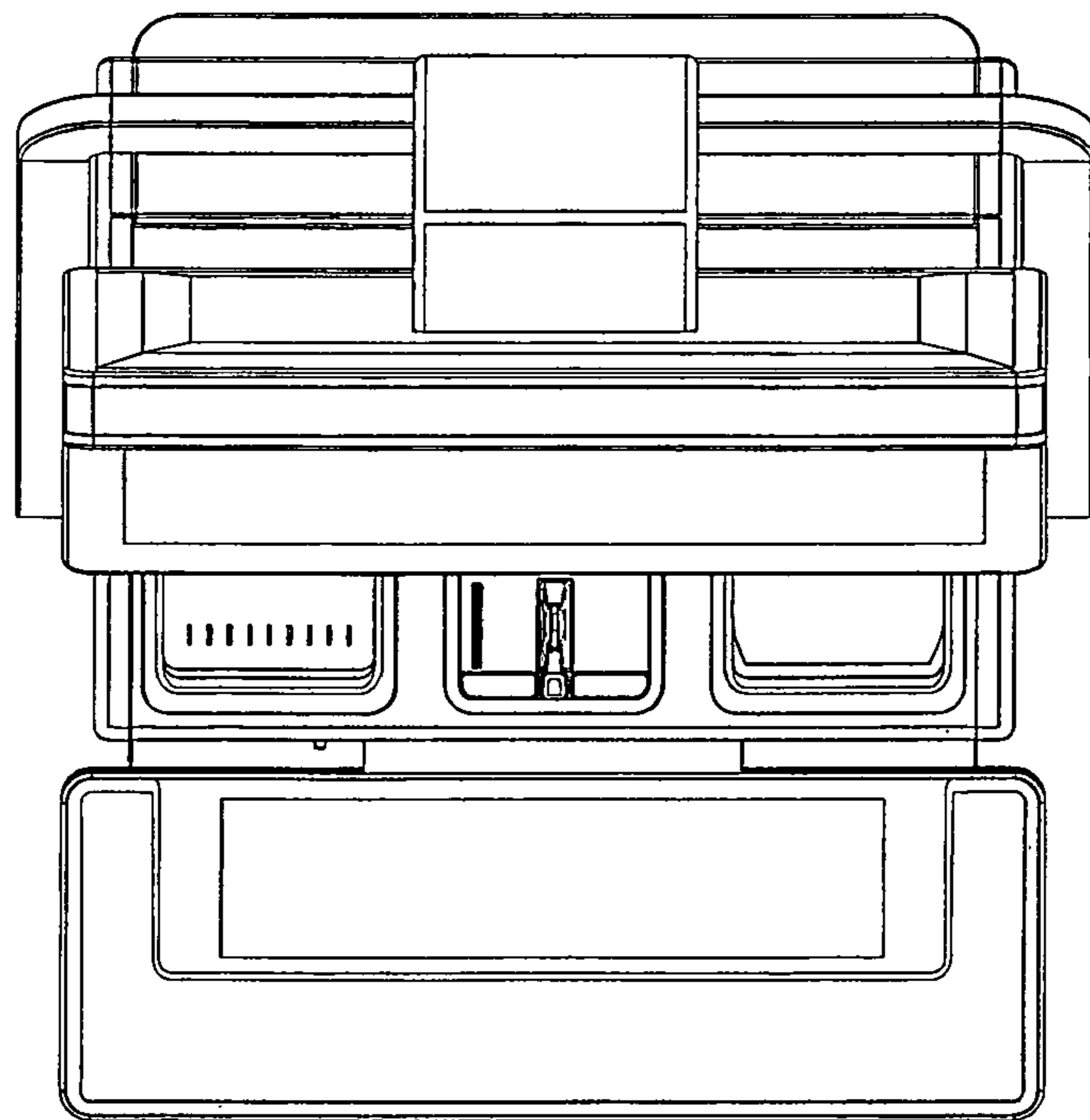


FIG. 3

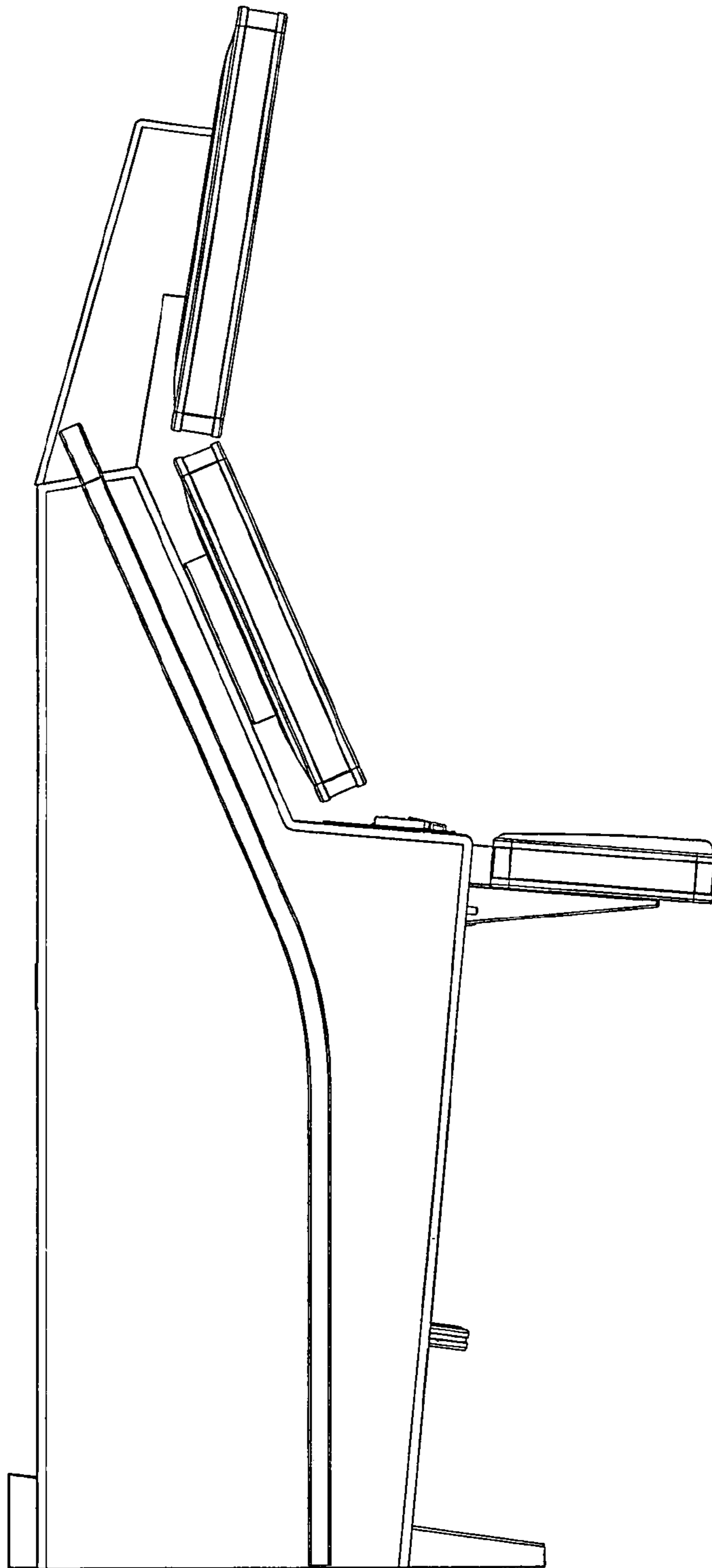


FIG. 4

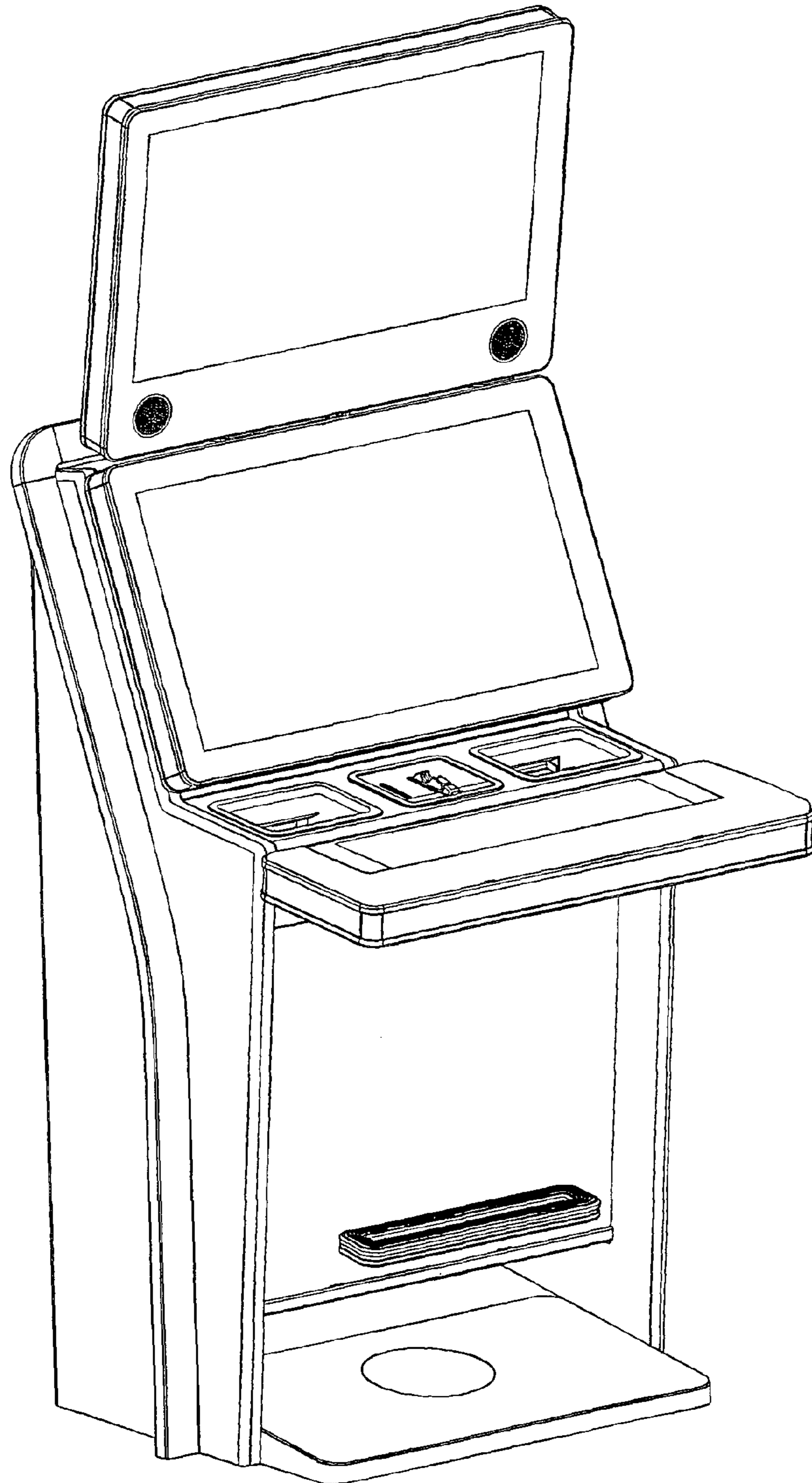


FIG. 5

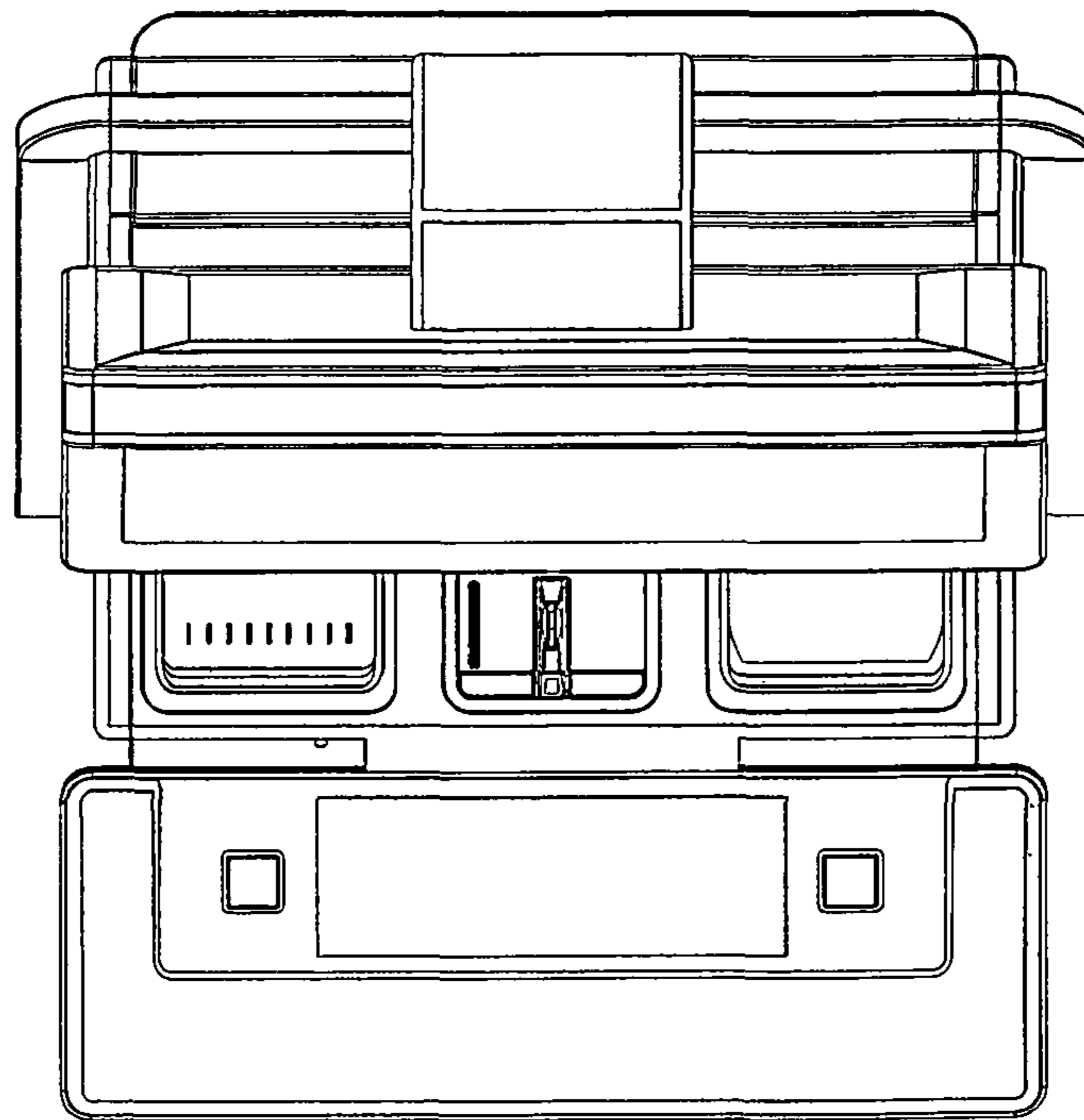


FIG. 6

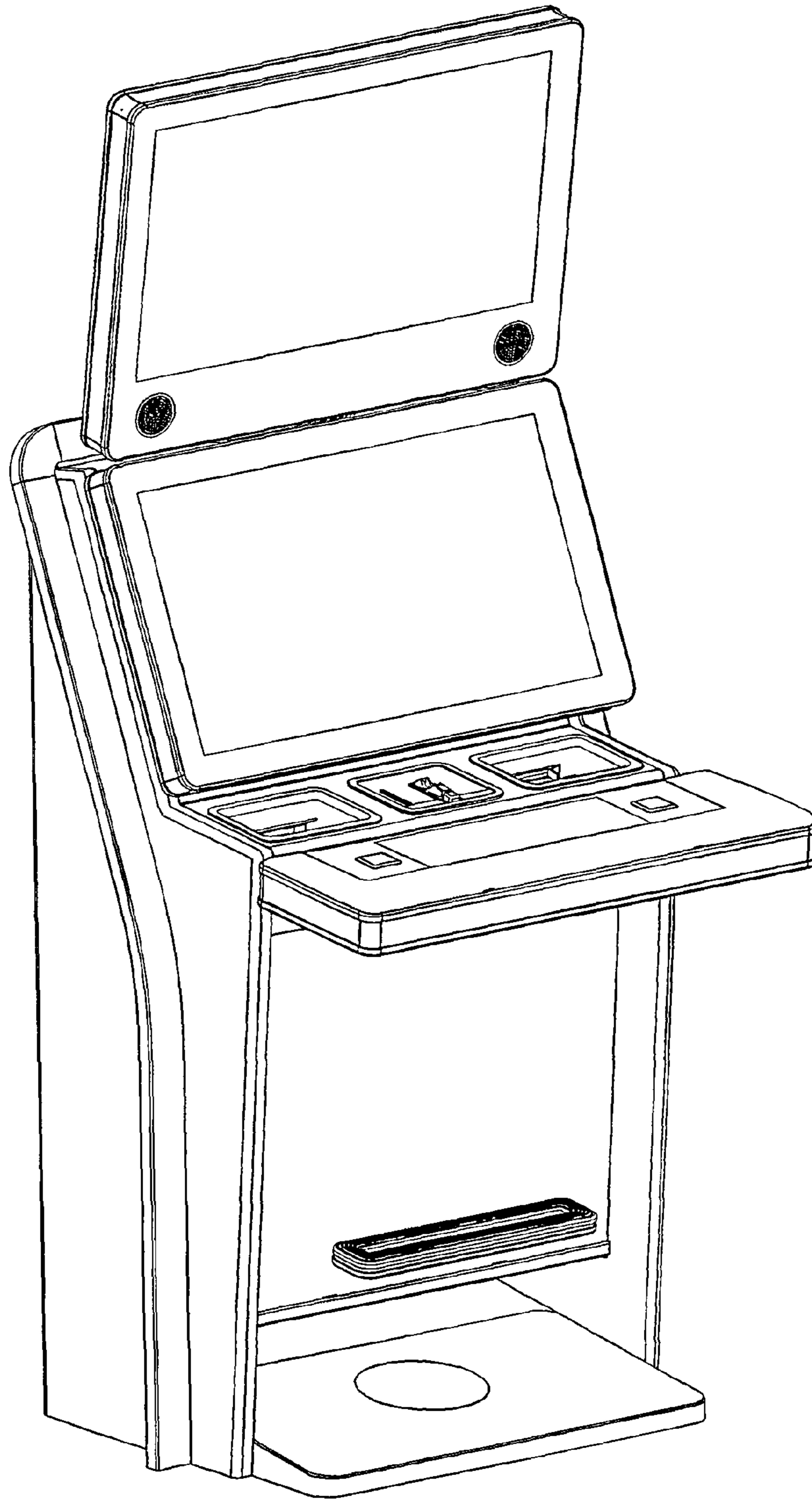


FIG. 7

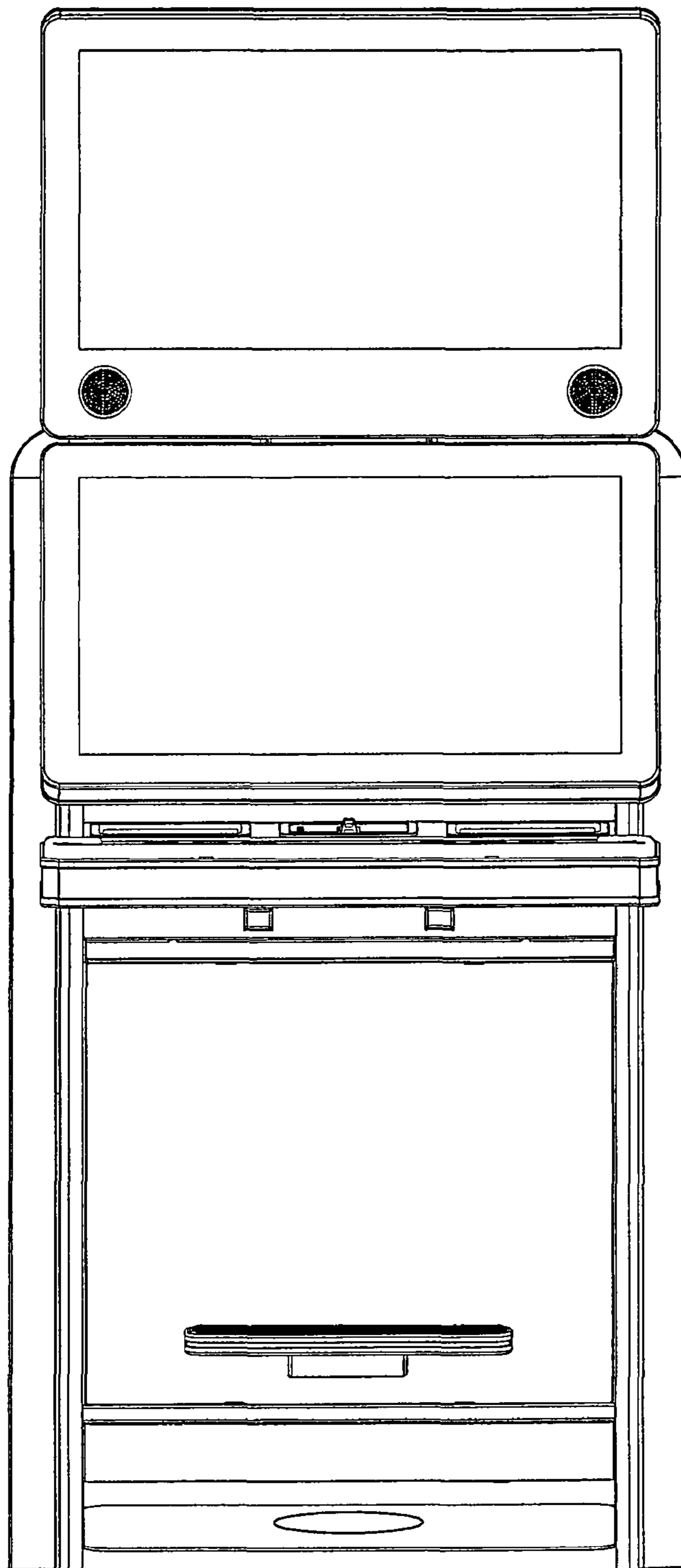


FIG. 8

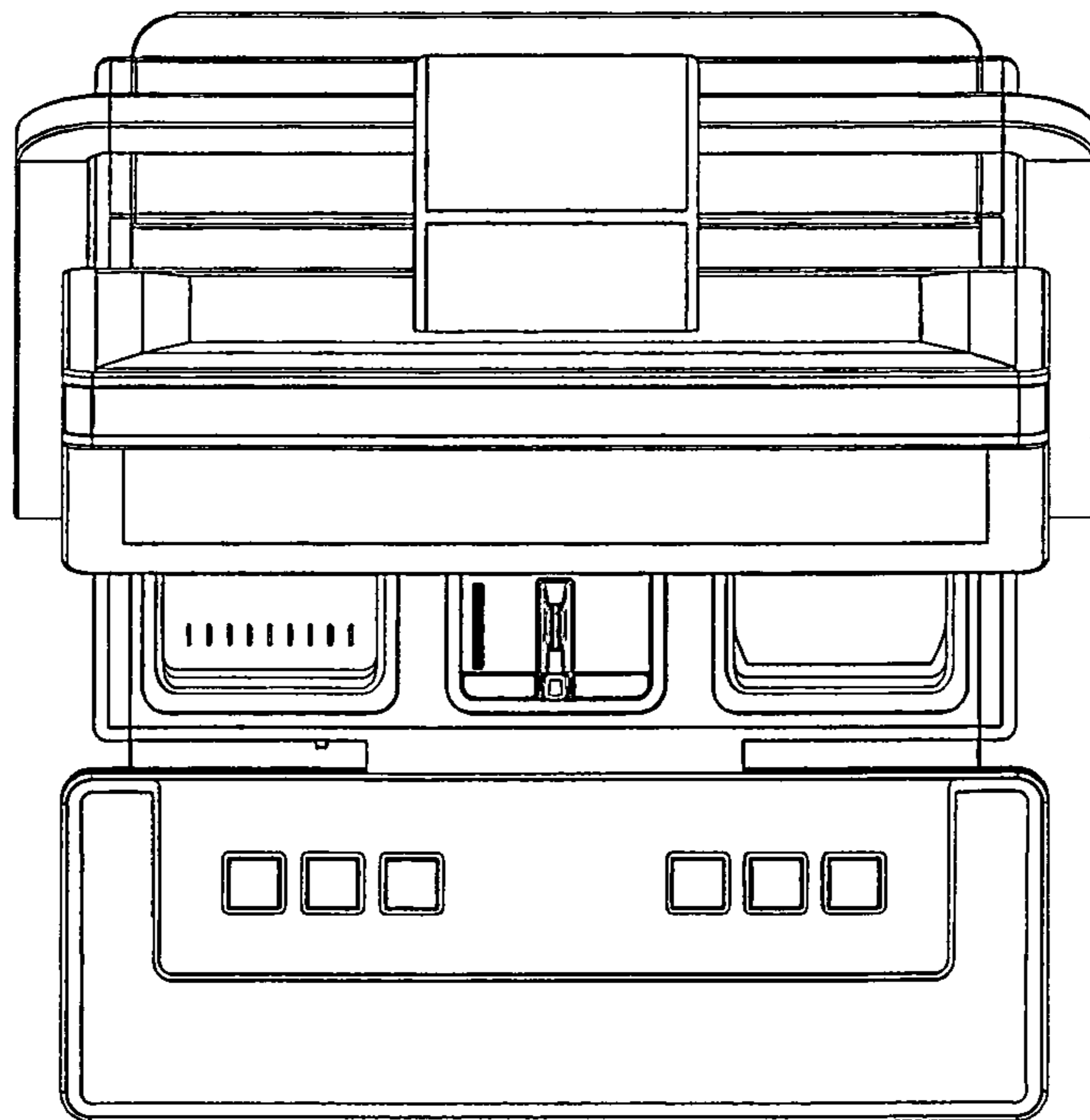


FIG. 9

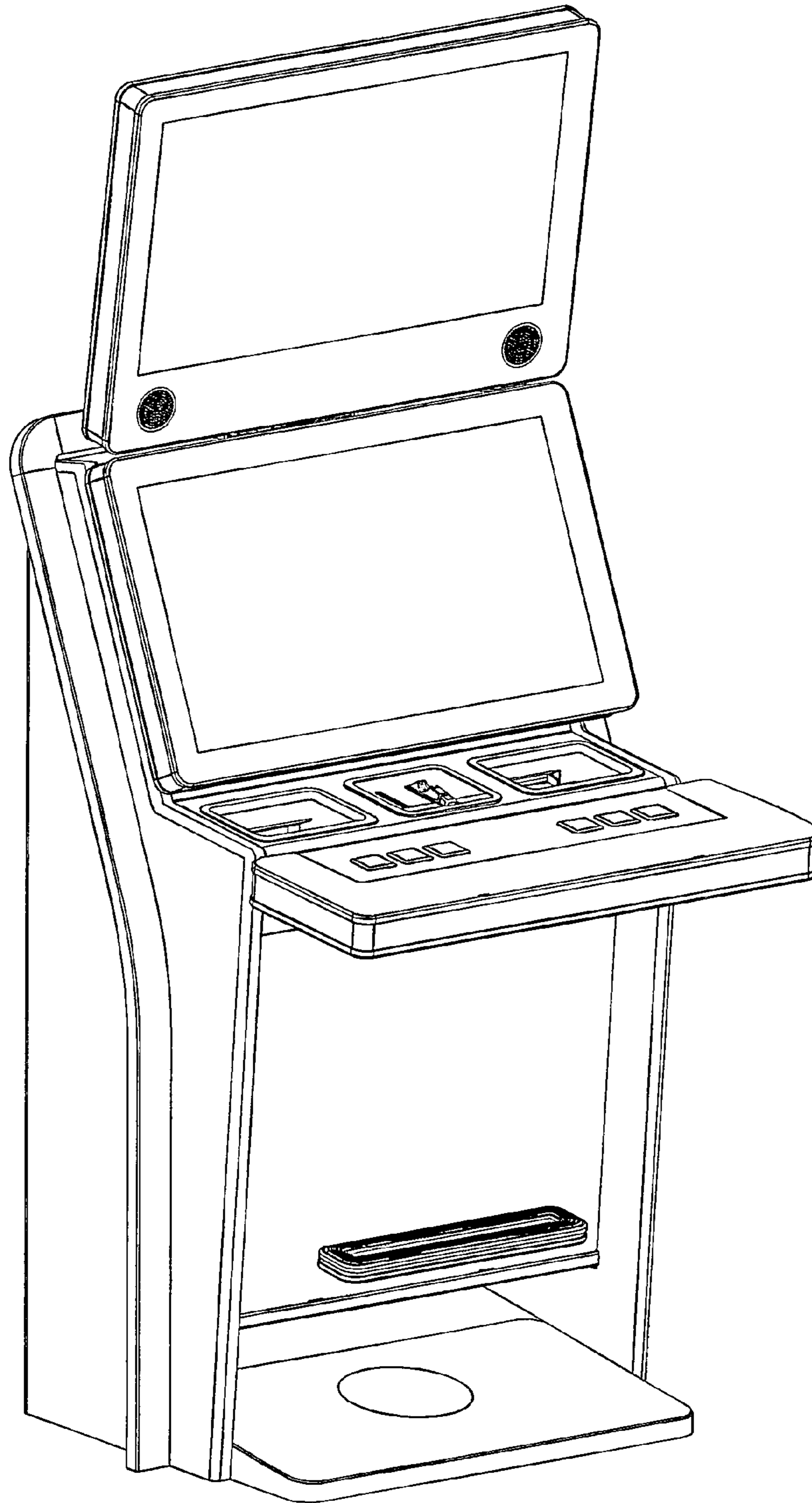


FIG. 10

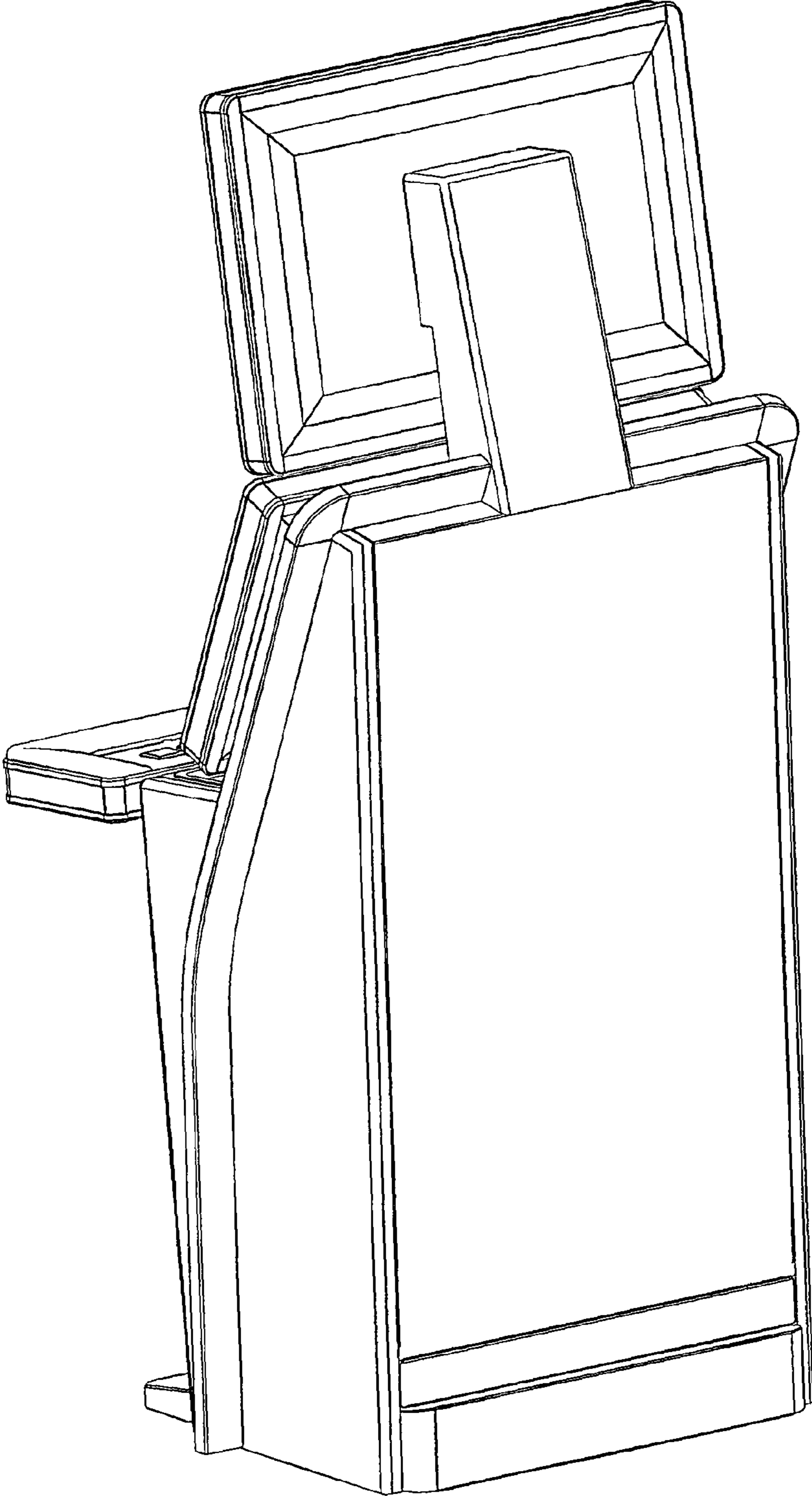


FIG. 11