



US00D727428S

(12) **United States Design Patent**
Sagady et al.

(10) **Patent No.:** **US D727,428 S**
(45) **Date of Patent:** **** Apr. 21, 2015**

(54) **VENDING INTERFACE CONTROLLER**

(71) Applicant: **USA Technologies, Inc.**, Malvern, PA
(US)

(72) Inventors: **Cary Sagady**, Chester Springs, PA (US);
Joseph Simpkins, West Chester, PA
(US)

(73) Assignee: **USA Technologies, Inc.**, Malvern, PA
(US)

(**) Term: **14 Years**

(21) Appl. No.: **29/486,788**

(22) Filed: **Apr. 2, 2014**

(51) **LOC (10) Cl.** **20-01**

(52) **U.S. Cl.**
USPC **D20/8**

(58) **Field of Classification Search**

CPC G07F 7/04; G07F 9/02; G07F 9/026;
G07F 9/10; G07F 11/00; G07F 11/026;
G07F 11/045; G07F 11/06; G07F 11/165;
G07F 11/24; G07F 11/62; G07D 11/00;
G07D 11/006; G07D 11/0021; G07D 2201/00;
G07D 2211/00
USPC D20/1-9; D18/3.2, 3.3, 12.1; D99/28;
194/236, 239, 302, 350; 232/1 D, 7, 10,
232/12, 43.2, 64; 271/10.01, 147; 221/3, 6,
221/12, 13, 110, 124, 140, 150 R, 150 A,
221/150 HC, 155, 156, 159, 190, 231, 311
See application file for complete search history.

(56) **References Cited**

U.S. PATENT DOCUMENTS

D477,321 S * 7/2003 Baughman D14/385
D498,795 S * 11/2004 Nunn D20/8
D506,509 S * 6/2005 Nunn D20/9

D523,904 S * 6/2006 Huffer et al. D20/4
D543,588 S * 5/2007 Herbert et al. D20/8
D644,682 S * 9/2011 Gerlier et al. D18/3.3
D683,794 S * 6/2013 Randall D20/8
D689,555 S * 9/2013 Theobald D20/8
D690,771 S * 10/2013 Randall D20/9
D694,334 S * 11/2013 Theobald D20/8
2004/0129529 A1 * 7/2004 Saltsov et al. 194/350
2008/0099547 A1 * 5/2008 Androsyuk et al. 232/13
2009/0321516 A1 * 12/2009 Yang 235/381
2012/0222935 A1 * 9/2012 MacKay et al. 194/210

* cited by examiner

Primary Examiner — Mary Ann Calabrese

(74) *Attorney, Agent, or Firm* — RatnerPrestia

(57) **CLAIM**

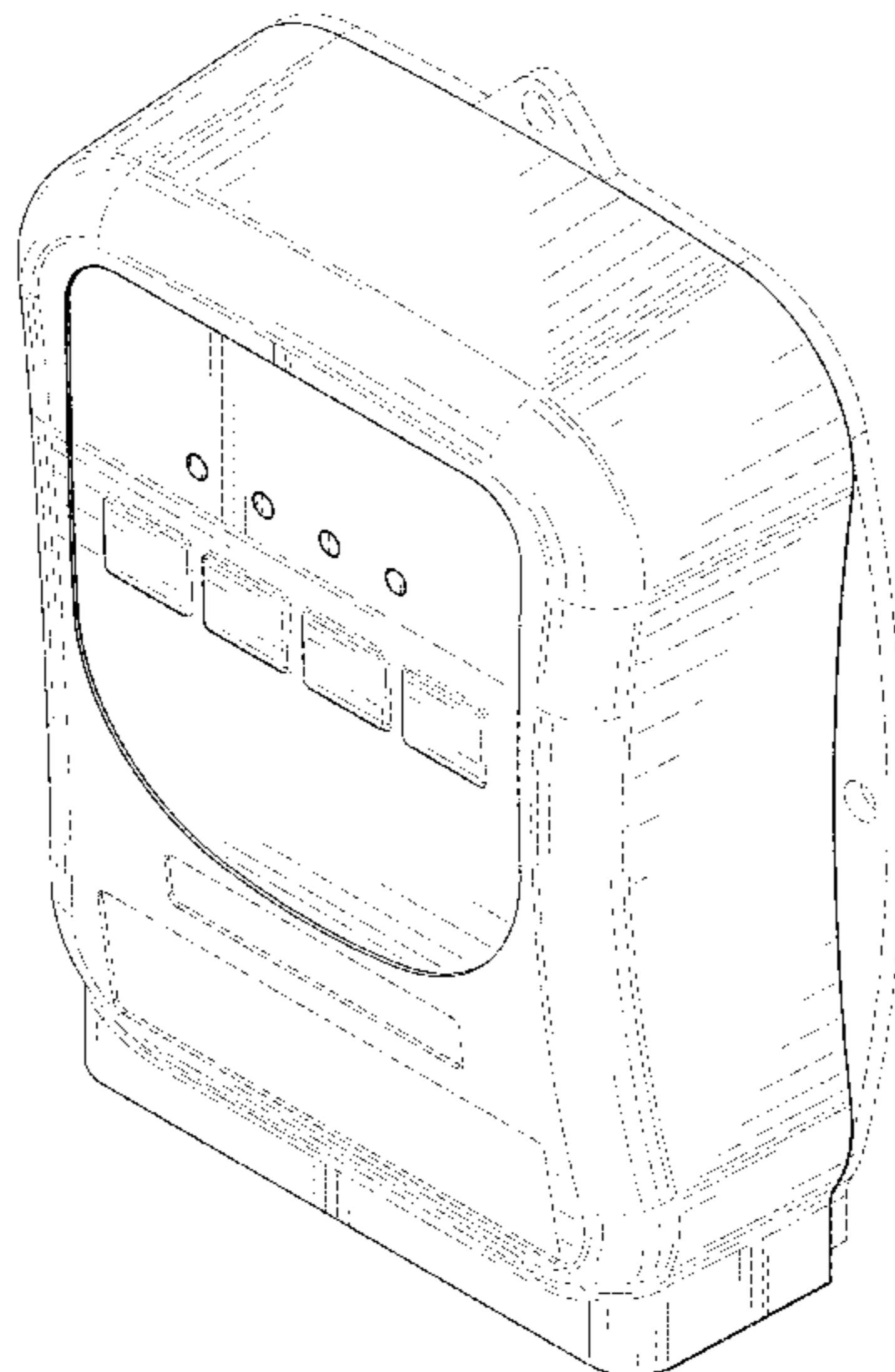
The ornamental design for a vending interface controller, as shown and described.

DESCRIPTION

FIG. 1 is a perspective view from above and in front of the vending interface controller;
FIG. 2 is a perspective view from below and behind the vending interface controller of FIG. 1;
FIG. 3 is a front view of the vending interface controller of FIG. 1;
FIG. 4 is a right side view of the vending interface controller of FIG. 1, the left side being a mirror image thereof;
FIG. 5 is a rear view of the vending interface controller of FIG. 1;
FIG. 6 is a top view of the vending interface controller of FIG. 1; and,
FIG. 7 is a bottom view of the vending interface controller of FIG. 1.

The portions of the vending interface controller shown in broken lines depict environmental subject matter only and form no part of the claimed design.

1 Claim, 6 Drawing Sheets



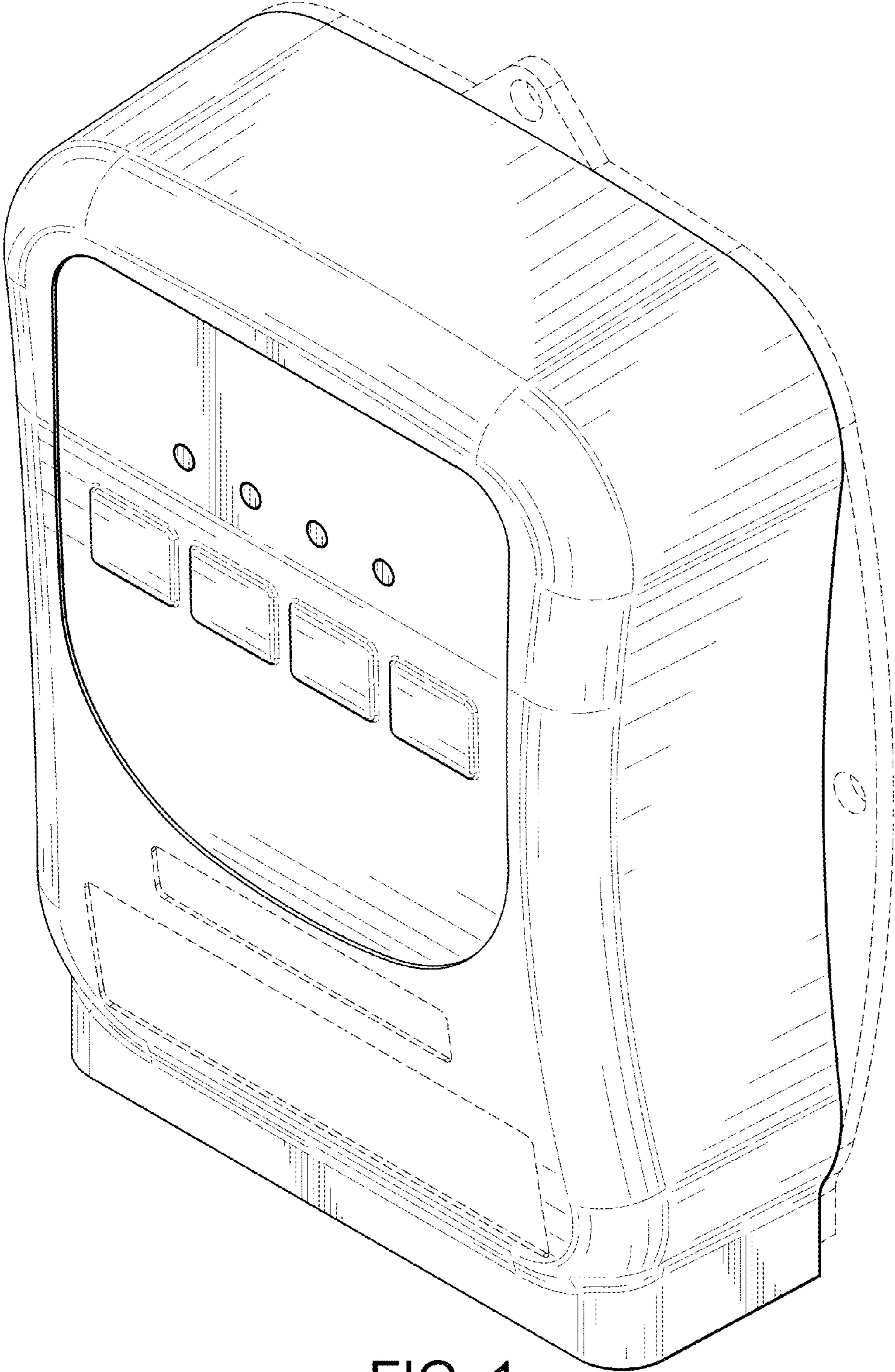


FIG. 1

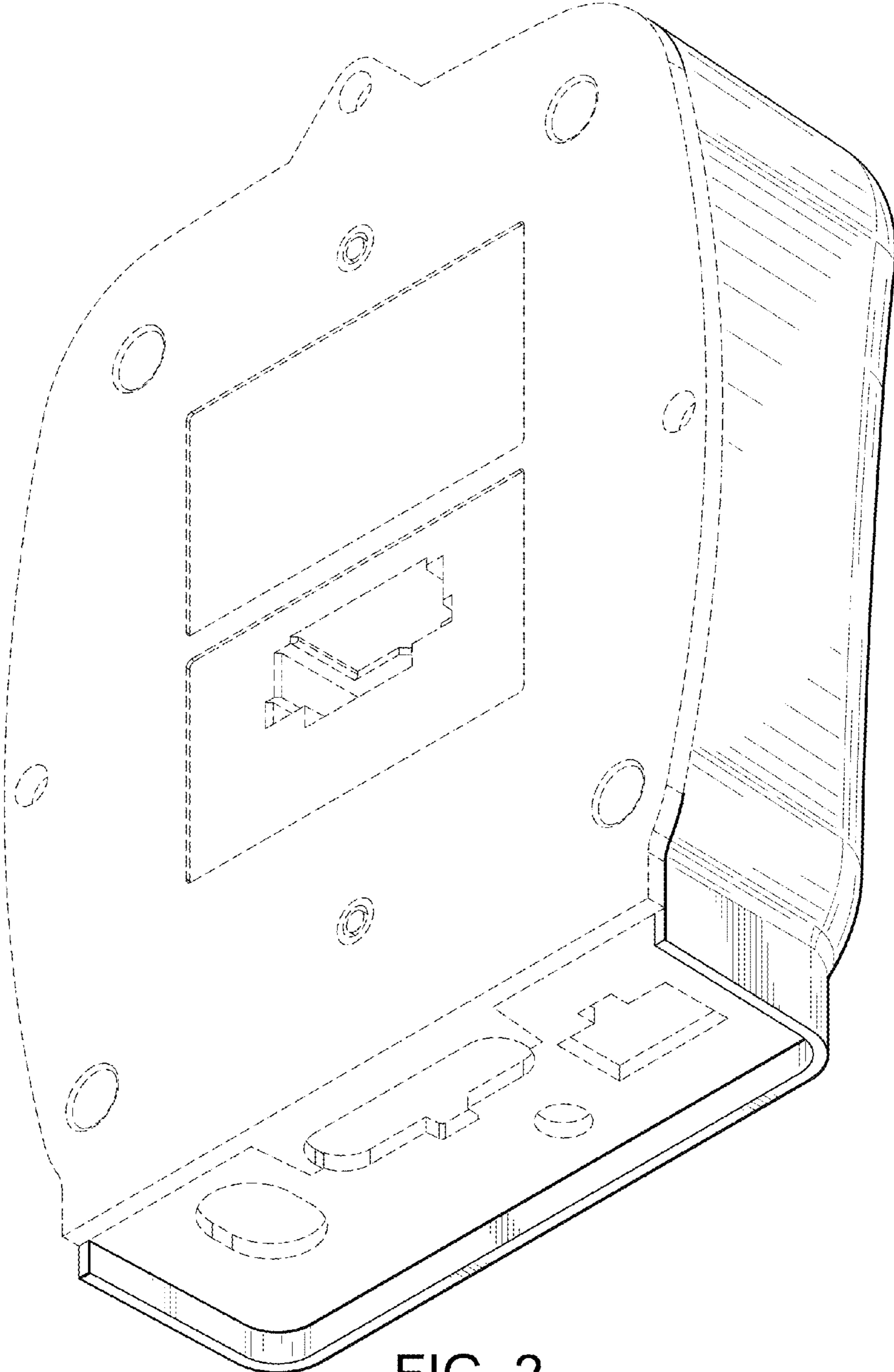


FIG. 2

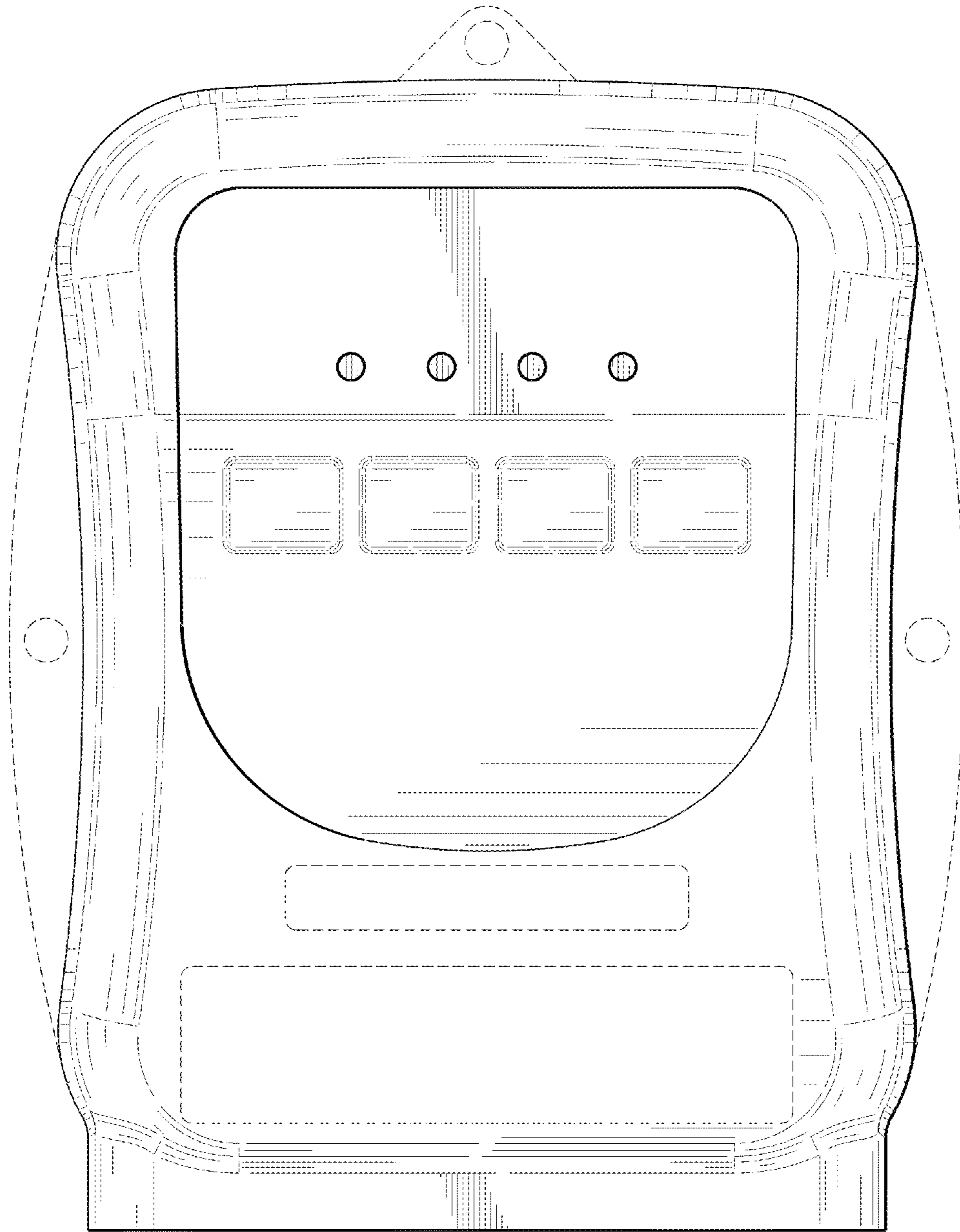


FIG. 3

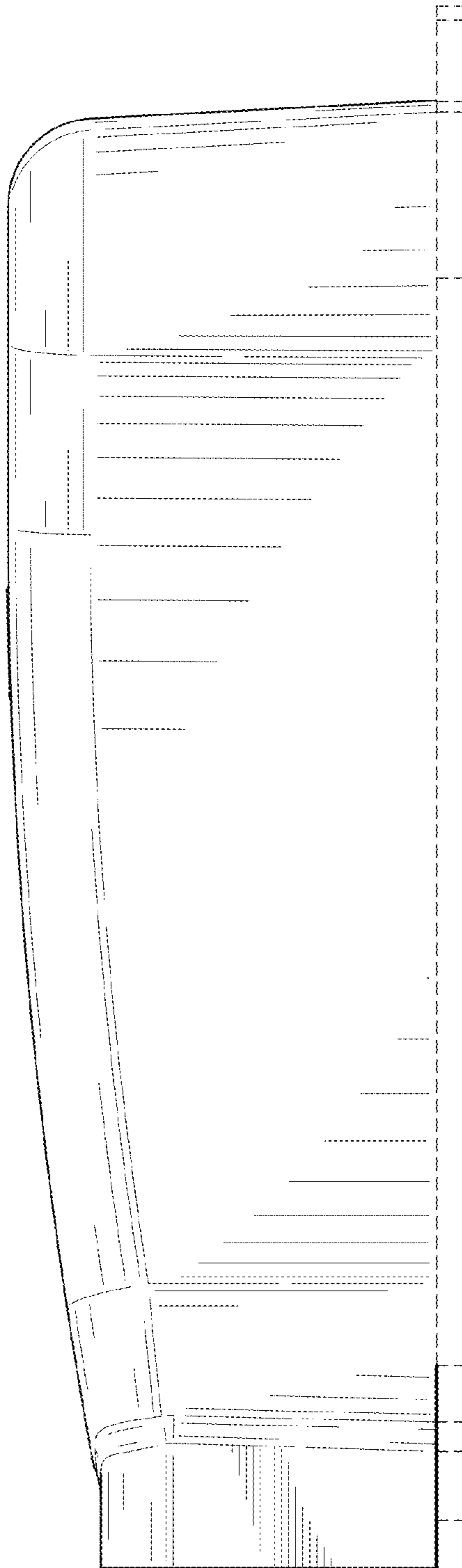


FIG. 4

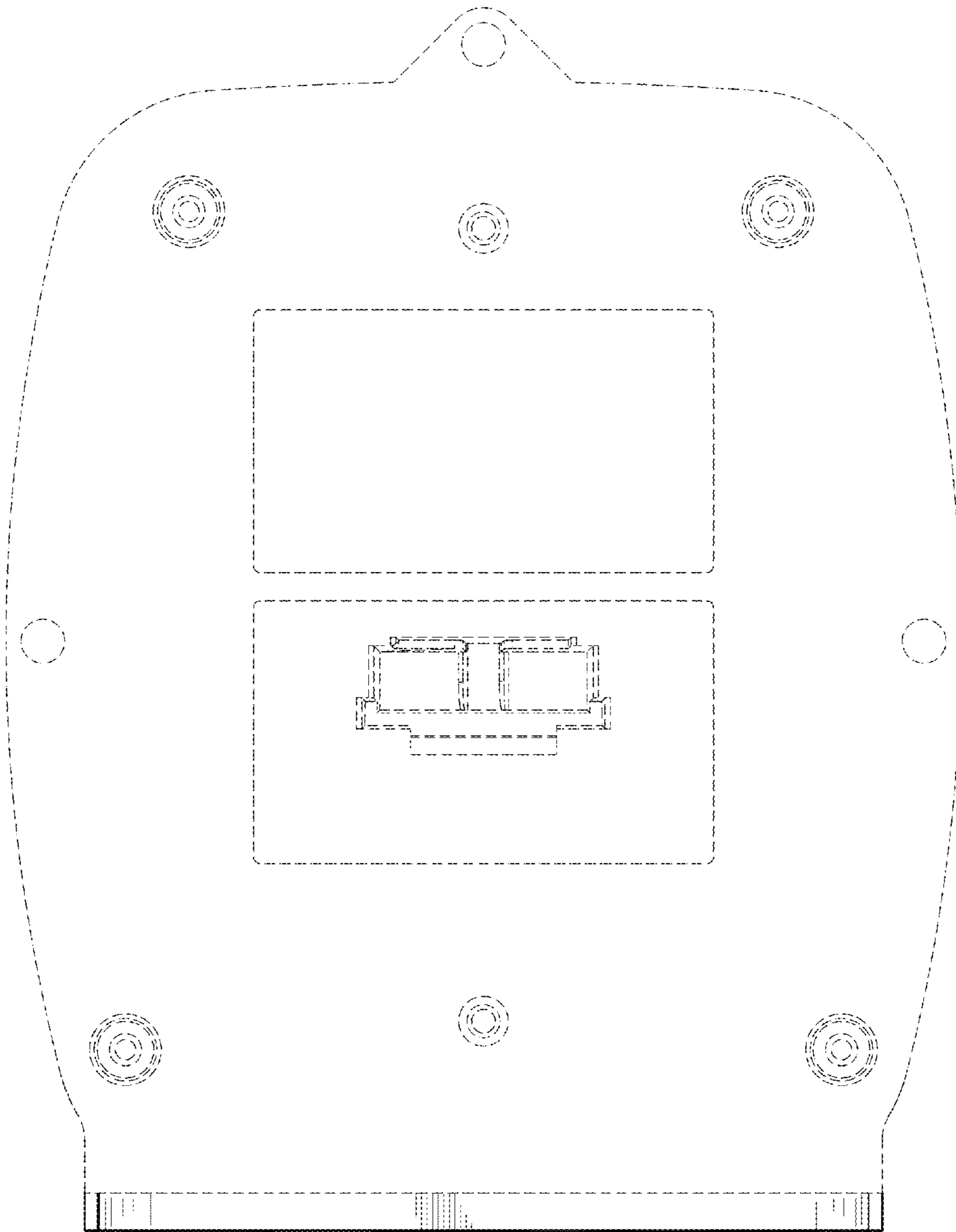


FIG. 5

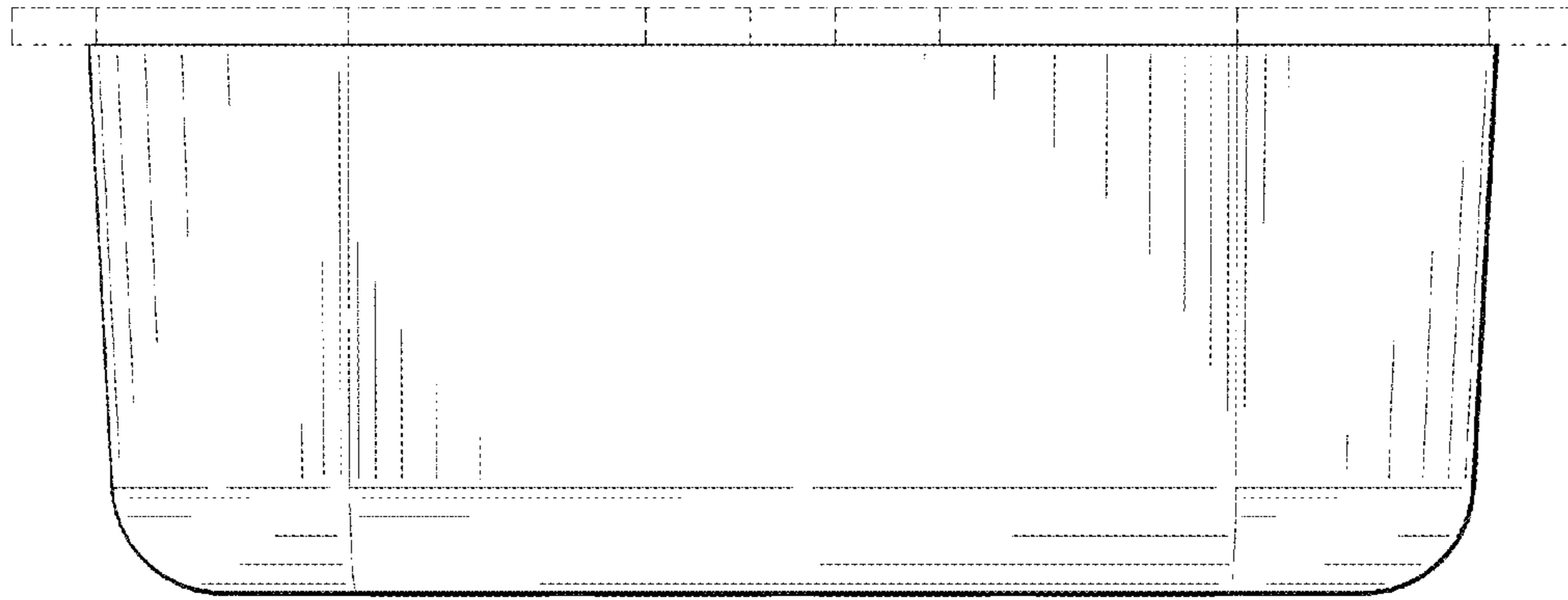


FIG. 6

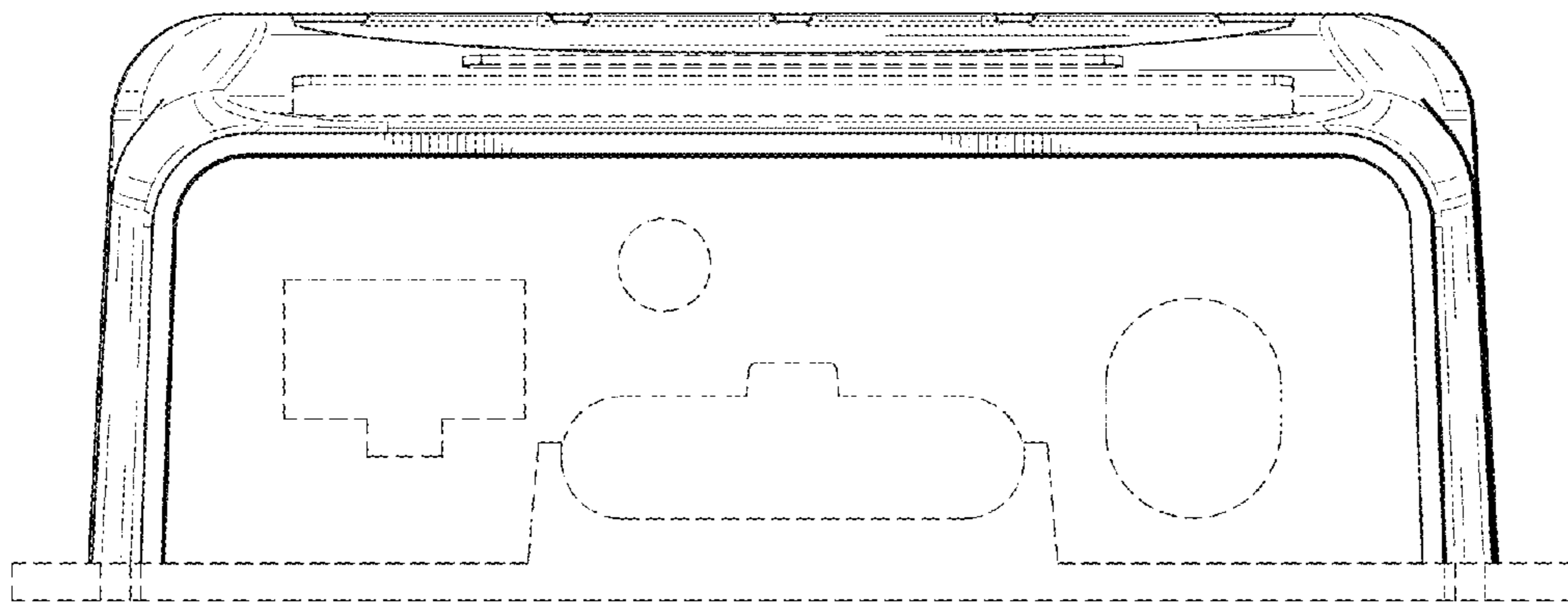


FIG. 7