

US00D727427S

(12) **United States Design Patent**  
**Alvarado et al.**

(10) **Patent No.:** **US D727,427 S**  
(45) **Date of Patent:** **\*\* Apr. 21, 2015**

- (54) **VENDING MACHINE PANEL**
- (71) Applicant: **Intercontinental Great Brands LLC**,  
East Hanover, NJ (US)
- (72) Inventors: **Eddin Alvarado**, Wyckoff, NJ (US);  
**Michael H. Haskins**, Waunakee, WI  
(US); **Edward J. Kaczmarek, III**,  
Chicago, IL (US); **Mark Kwiatek**, New  
York, NY (US); **Manus Mulherin**,  
Stroudsburg, PA (US); **Thomas Michael**  
**O’Keefe**, Grayslake, IL (US); **Jonathan**  
**Ashbridge**, Leicester (GB); **Craig**  
**Jones**, Leicester (GB); **Timothy**  
**Whateley**, Leicester (GB)
- (73) Assignee: **Intercontinental Great Brands LLC**,  
East Hanover, NJ (US)
- (\*\*) Term: **14 Years**
- (21) Appl. No.: **29/475,437**
- (22) Filed: **Dec. 3, 2013**

**Related U.S. Application Data**

- (62) Division of application No. 29/427,261, filed on Jul.  
16, 2012, now Pat. No. Des. 696,726.
- (51) **LOC (10) Cl.** ..... **20-08**
- (52) **U.S. Cl.**  
USPC ..... **D20/8**
- (58) **Field of Classification Search**  
CPC ..... G07F 9/02; G07F 9/026; G07F 9/06;  
G07F 11/00; G07F 11/06; G07F 11/24;  
G07F 11/62; G07F 11/165; G07F 17/42  
USPC ..... D20/1-9; 221/2, 6, 9, 12, 13, 76, 81,  
221/96, 110, 123, 124, 140, 150 R, 150 A,  
221/150 HC, 155, 156, 159, 190, 213, 231,  
221/251, 311; D99/28; D7/305-312;  
D15/89; 194/236, 239, 350  
See application file for complete search history.

(56) **References Cited**

**U.S. PATENT DOCUMENTS**

5,768,142 A 6/1998 Jacobs

D441,023 S \* 4/2001 Vaajakallio ..... D20/1  
(Continued)

**FOREIGN PATENT DOCUMENTS**

WO 2008022228 2/2008

*Primary Examiner* — Mary Ann Calabrese

(74) *Attorney, Agent, or Firm* — Fitch, Even, Tabin &  
Flannery LLP

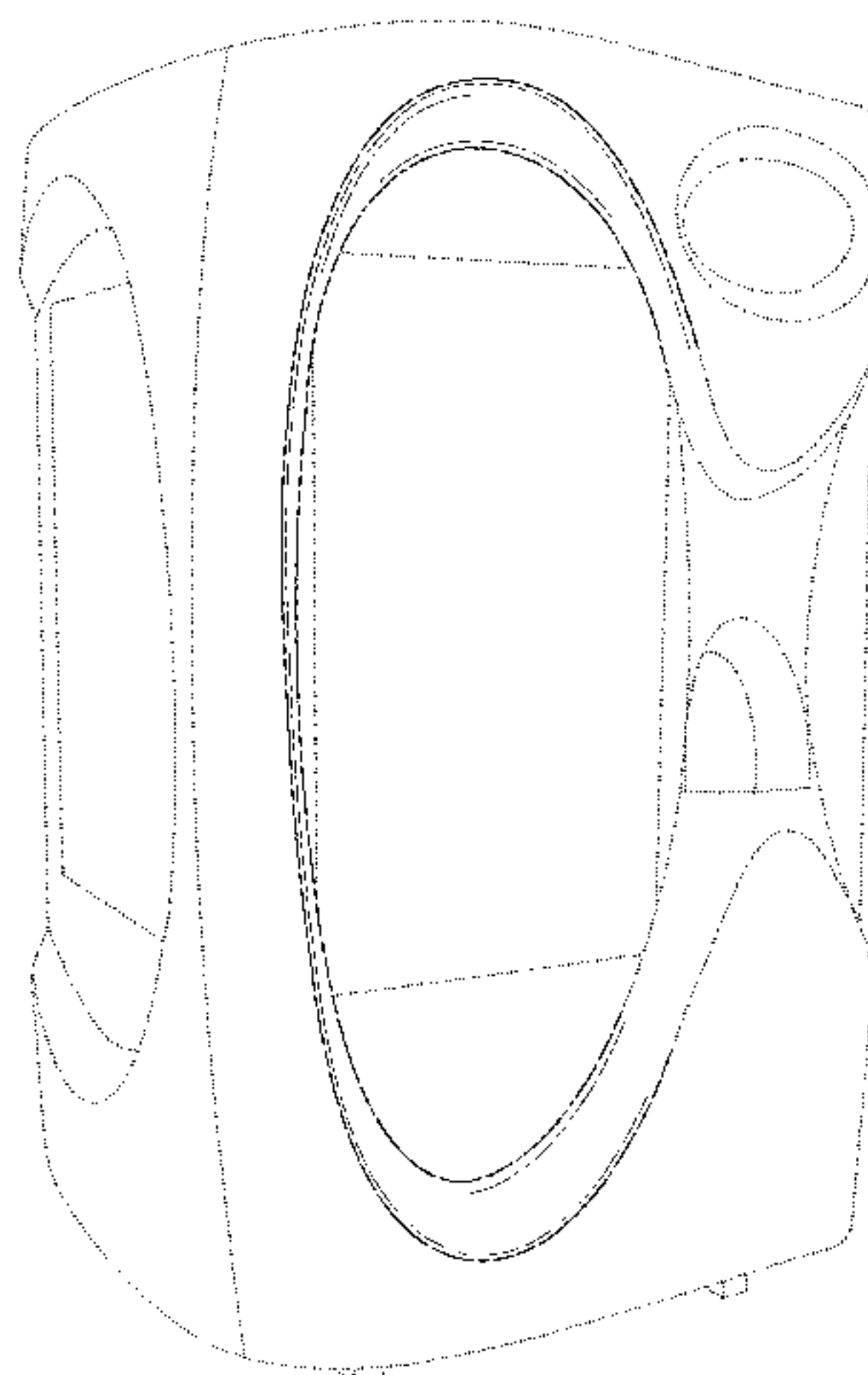
(57) **CLAIM**

We claim the ornamental design for a vending machine panel,  
as shown and described.

**DESCRIPTION**

FIG. 1 is a front perspective view of a vending machine panel,  
in accordance with a first embodiment of our new design;  
FIG. 2 is a front elevation view of the vending machine panel  
of FIG. 1;  
FIG. 3 is a top plan view of the vending machine panel of FIG.  
1;  
FIG. 4 is a bottom plan view of the vending machine panel of  
FIG. 1;  
FIG. 5 is a left side elevation view of the vending machine  
panel of FIG. 1;  
FIG. 6 is a right side elevation view of the vending machine  
panel of FIG. 1;  
FIG. 7 is a front perspective view of a vending machine panel,  
in accordance with a second embodiment of our new design;  
FIG. 8 is a front elevation view of the vending machine panel  
of FIG. 7;  
FIG. 9 is a top plan view of the vending machine panel of FIG.  
7;  
FIG. 10 is a bottom plan view of the vending machine panel  
of FIG. 7;  
FIG. 11 is a left side elevation view of the vending machine  
panel of FIG. 7; and,  
FIG. 12 is a right side elevation view of the vending machine  
panel of FIG. 7.  
The broken lines depict unclaimed environmental subject  
matter and form no part of the claimed design.

**1 Claim, 6 Drawing Sheets**



(56)

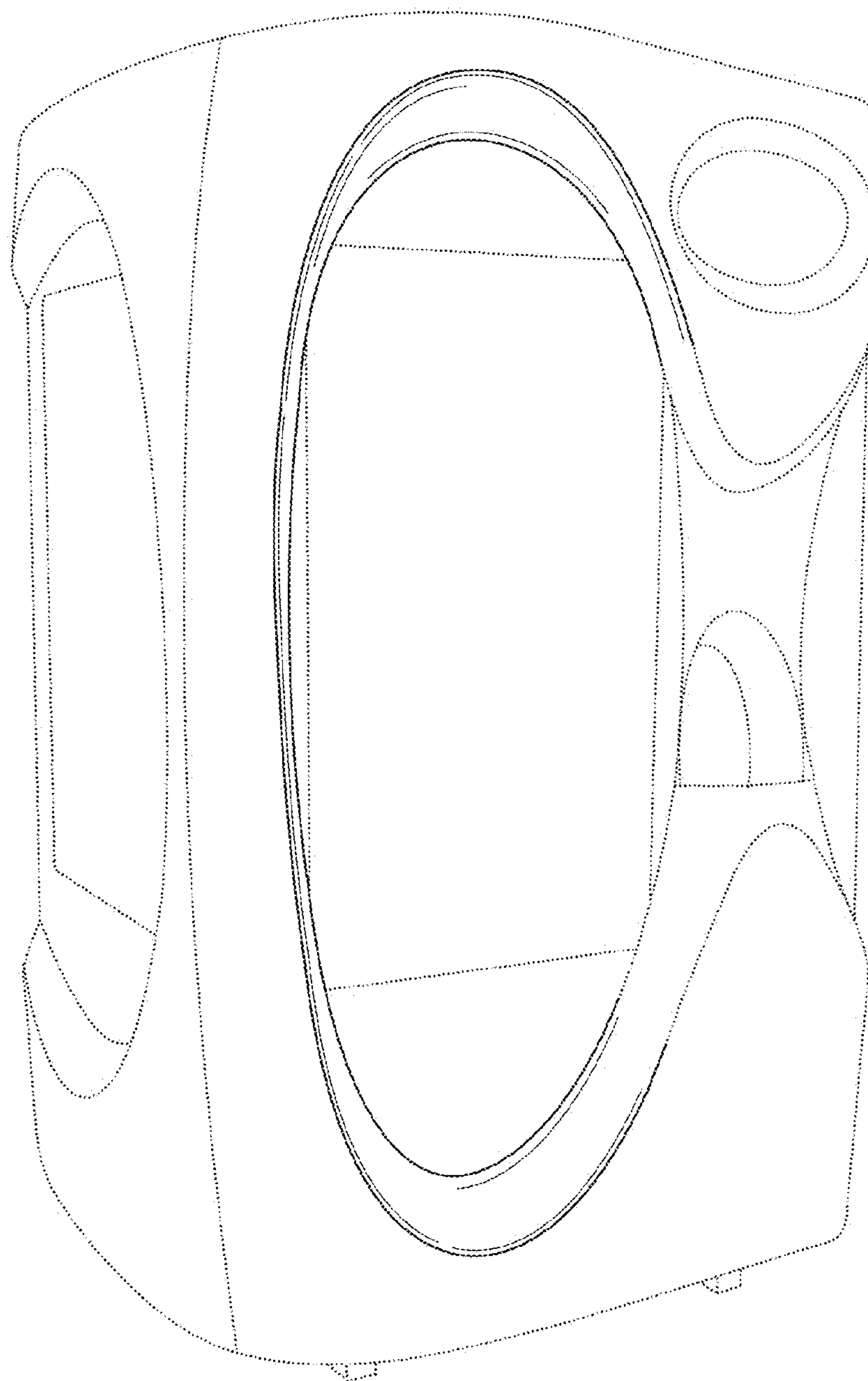
**References Cited**

U.S. PATENT DOCUMENTS

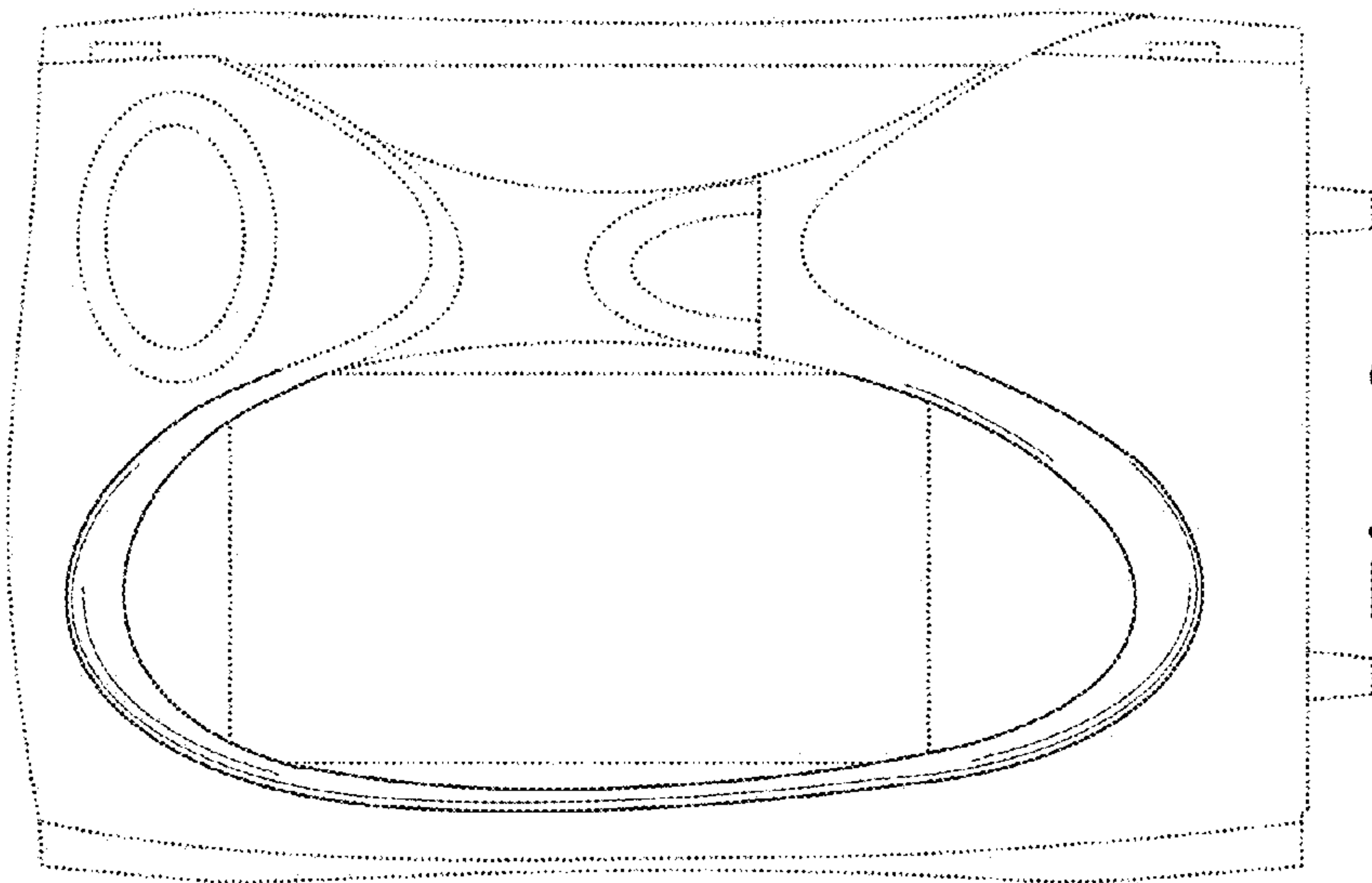
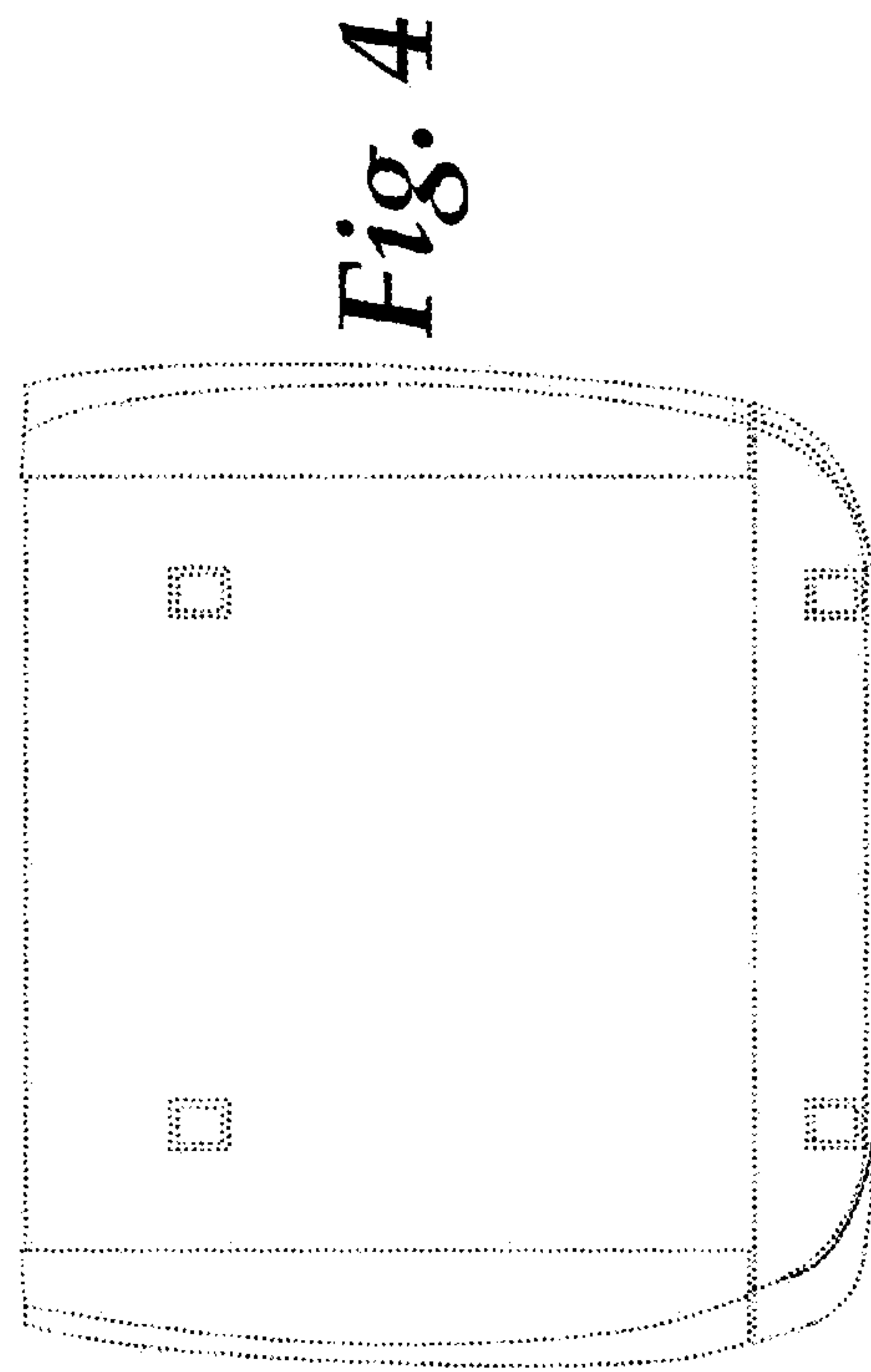
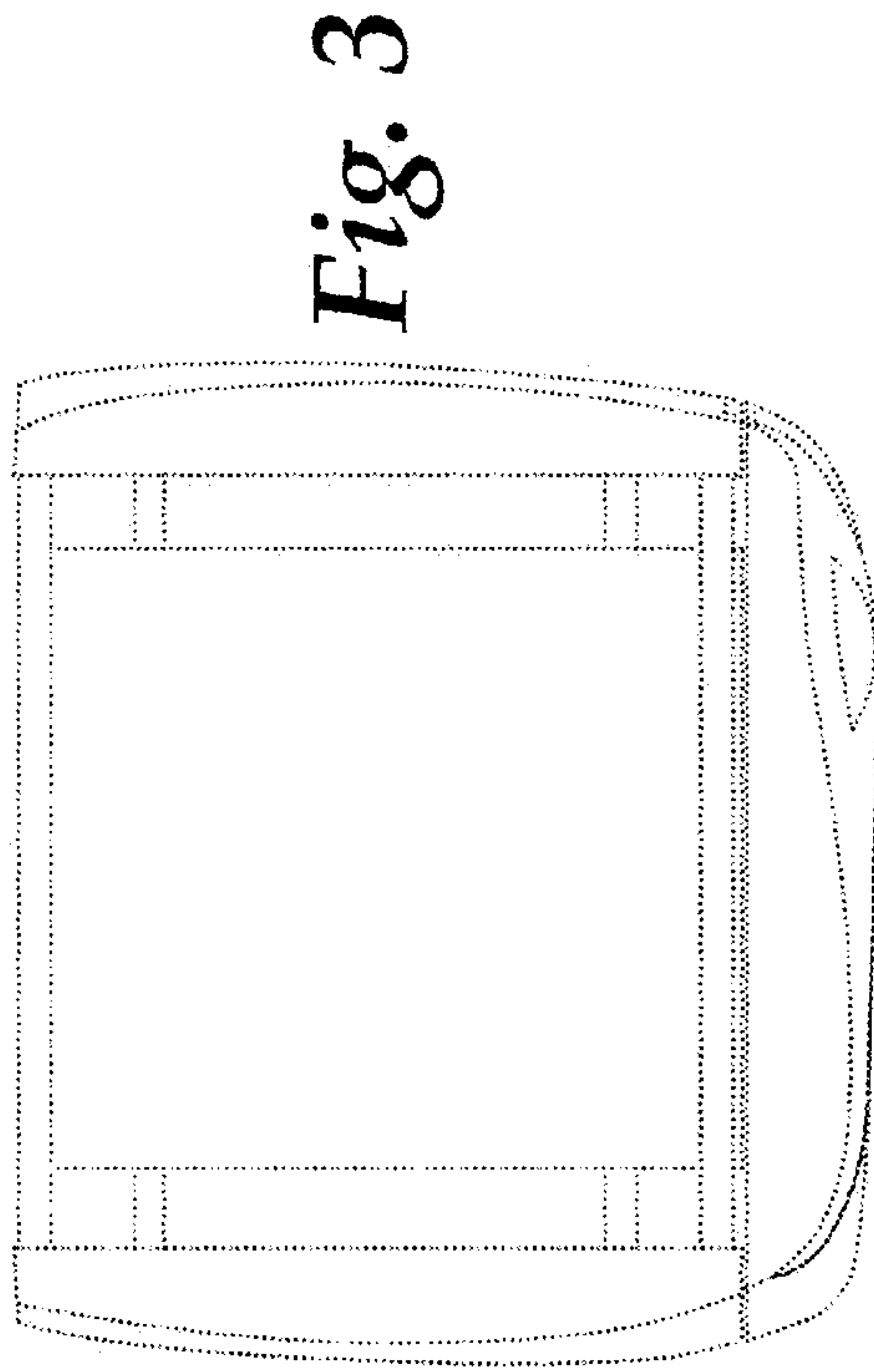
6,397,126 B1 5/2002 Nelson  
 D503,743 S 4/2005 Huffer  
 D520,064 S \* 5/2006 Worthington et al. .... D20/1  
 D530,750 S 10/2006 Aurelia  
 7,152,757 B2 12/2006 Huffer  
 D540,876 S 4/2007 Roekens  
 D541,870 S 5/2007 Tandberg  
 D563,142 S \* 3/2008 Kauer ..... D7/306  
 D587,509 S \* 3/2009 Kennedy et al. .... D7/306  
 7,515,989 B2 4/2009 Yoshizaki  
 D597,605 S 8/2009 Davis

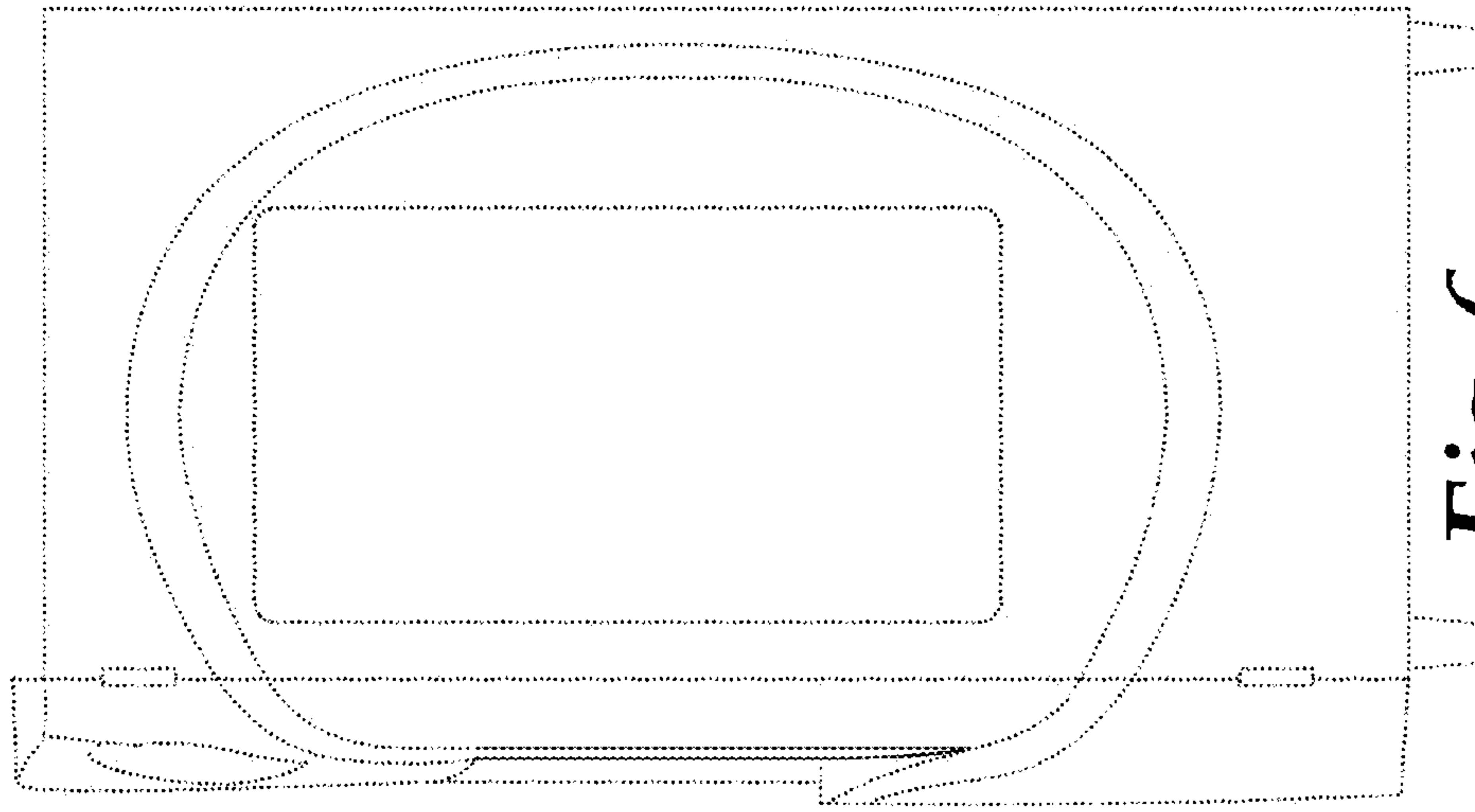
D606,118 S 12/2009 Voron  
 D626,776 S \* 11/2010 Voron et al. .... D7/307  
 D627,187 S 11/2010 Voron  
 7,881,822 B2 2/2011 Thornton  
 D644,472 S 9/2011 Ponzio  
 8,095,236 B2 1/2012 Rudy  
 D674,443 S 1/2013 Voron  
 8,369,987 B2 2/2013 Claessen  
 D695,833 S 12/2013 Alvarado  
 D696,726 S 12/2013 Alvarado  
 2003/0019236 A1 1/2003 Heims  
 2011/0173535 A1 \* 7/2011 Royal et al. .... 715/703  
 2012/0029690 A1 2/2012 Bruck  
 2012/0330461 A1 12/2012 Doom

\* cited by examiner

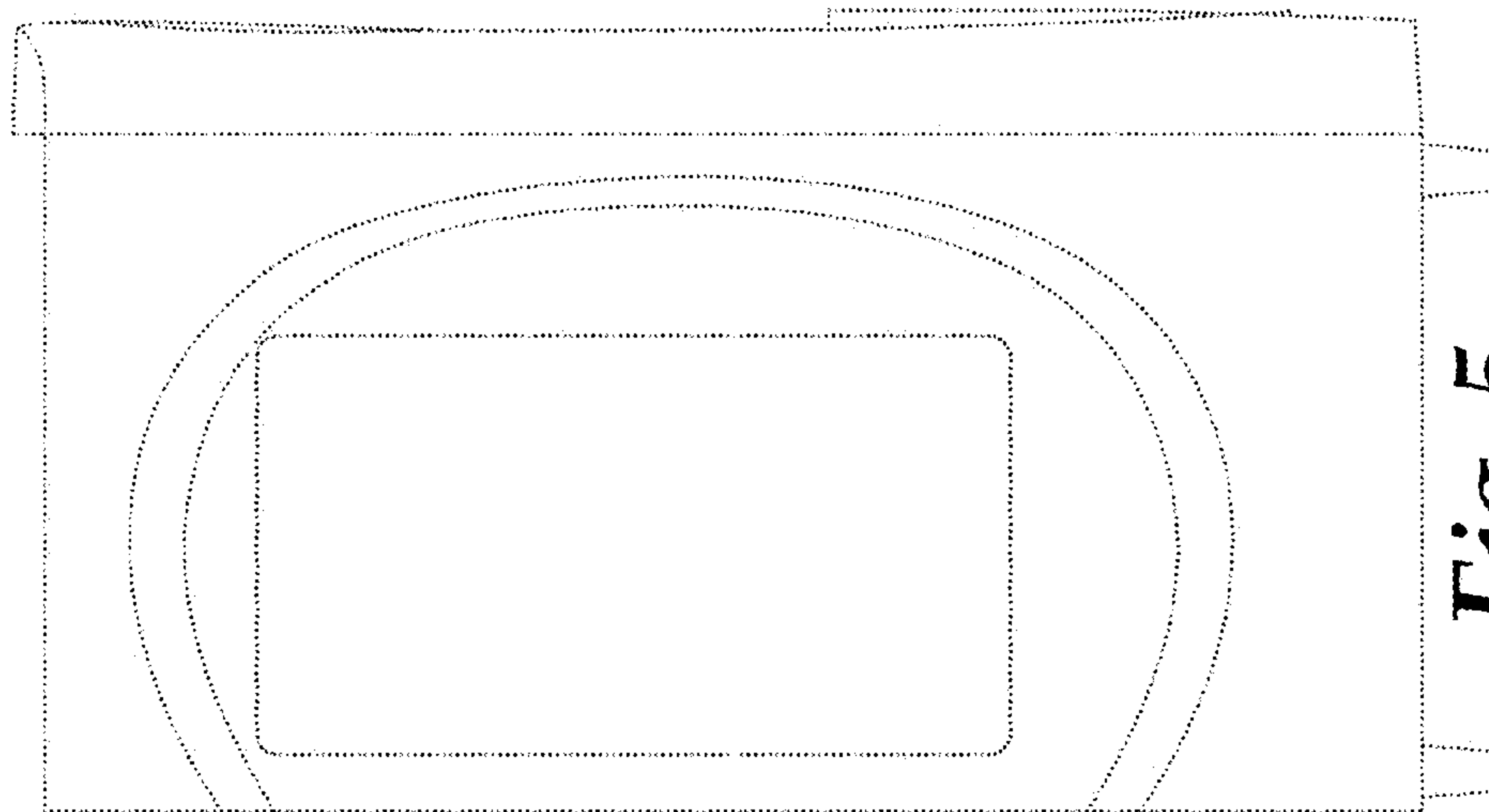


*Fig. 1*



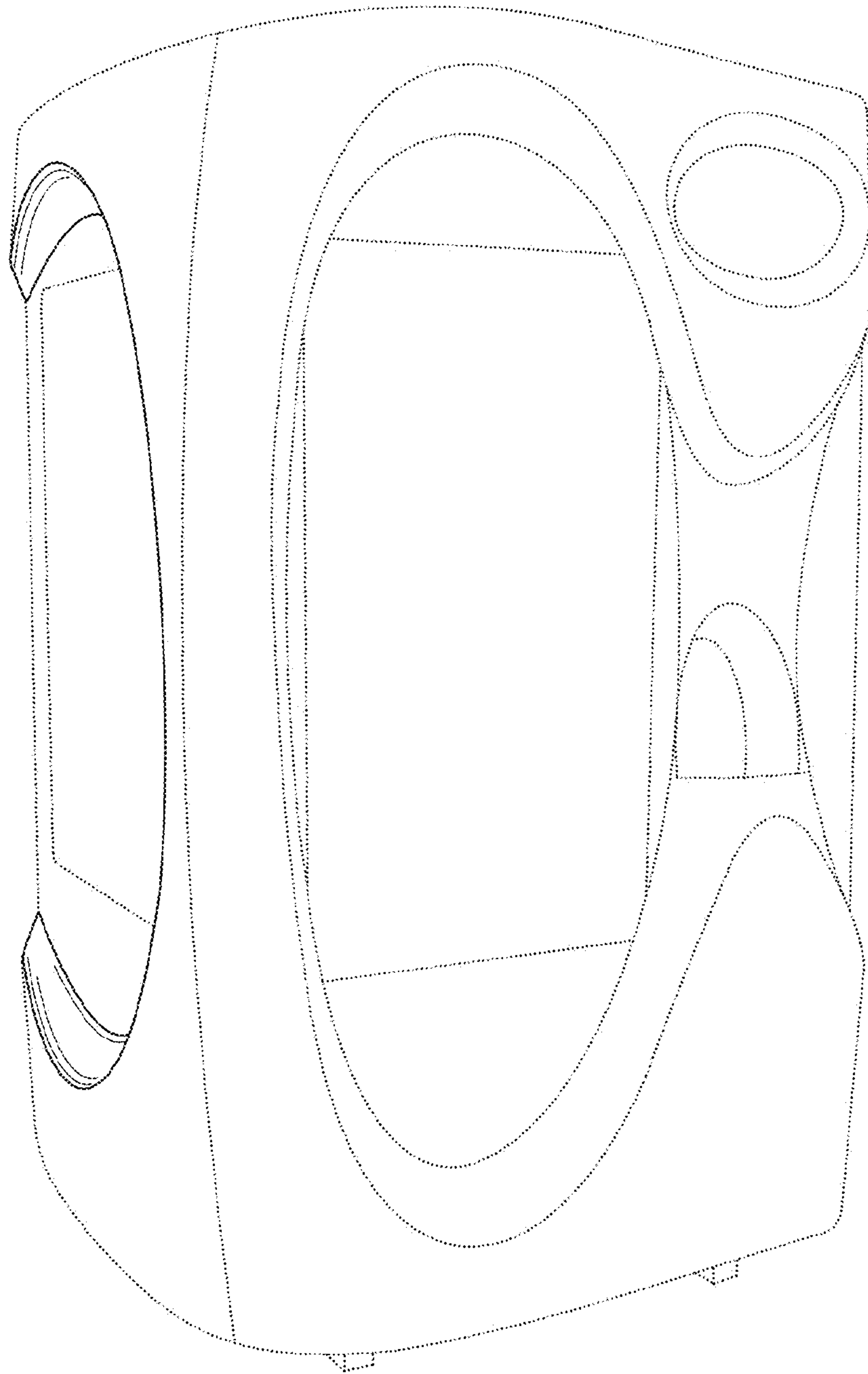


*Fig. 6*



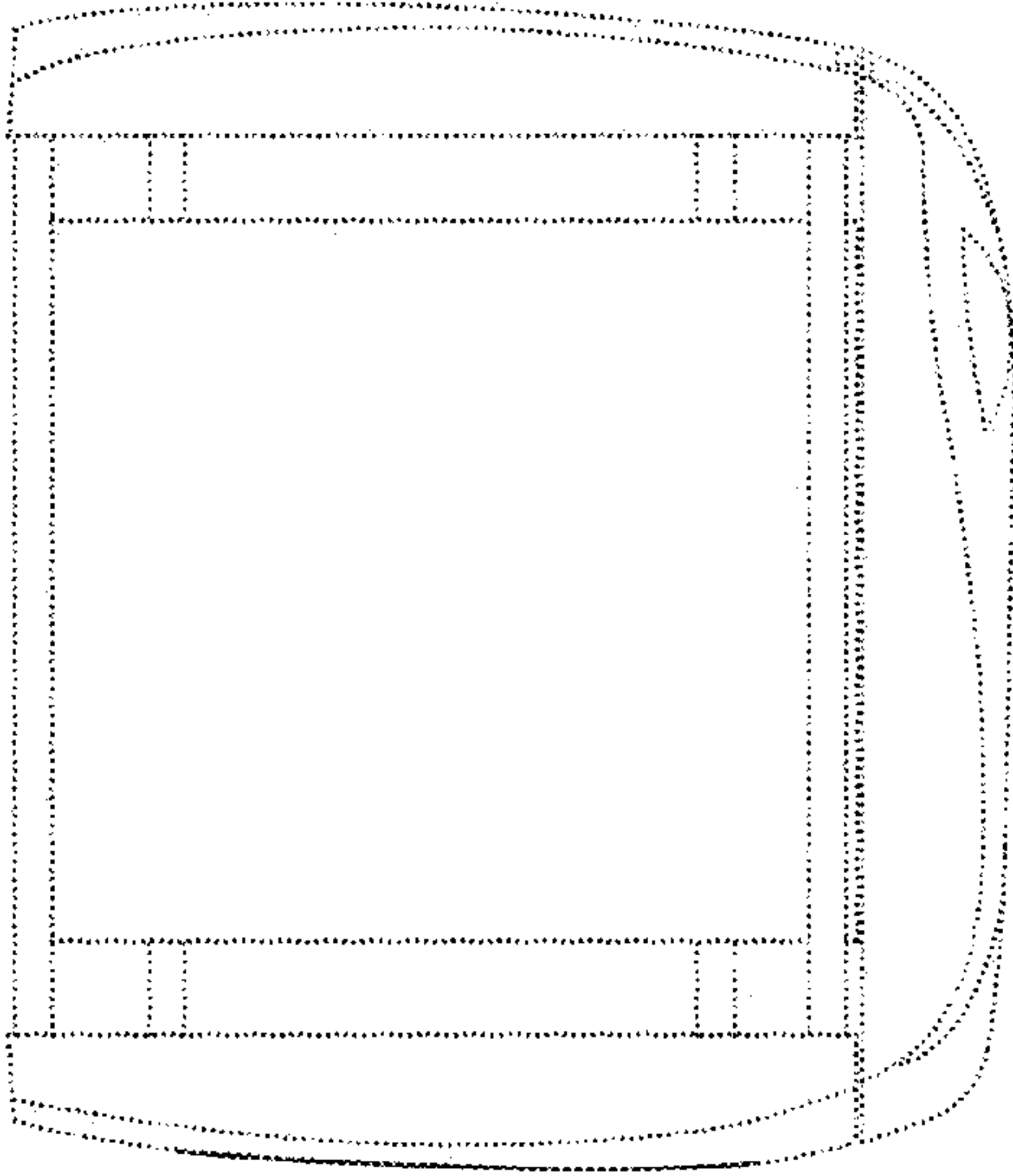
*Fig. 5*



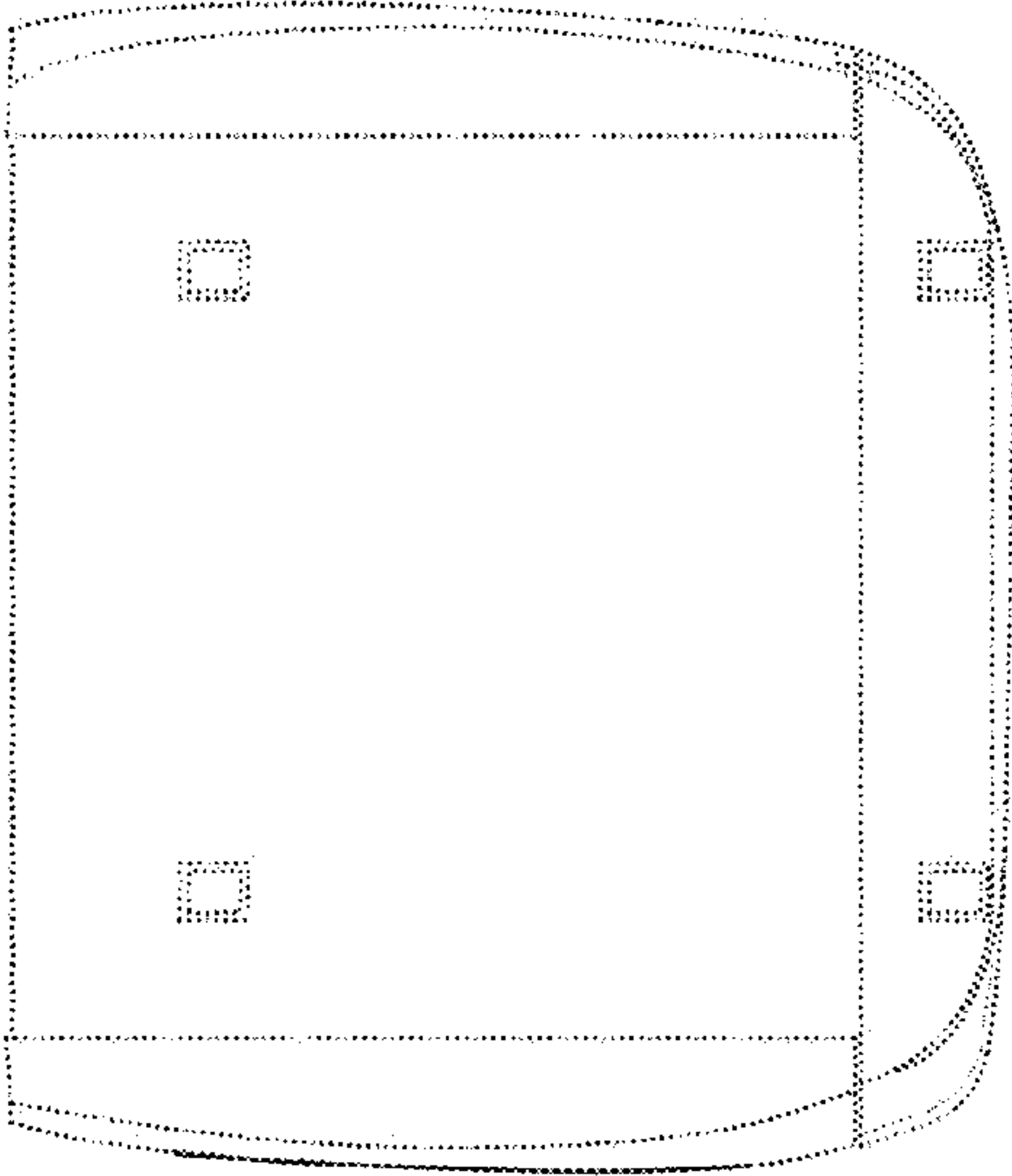


*Fig. 7*

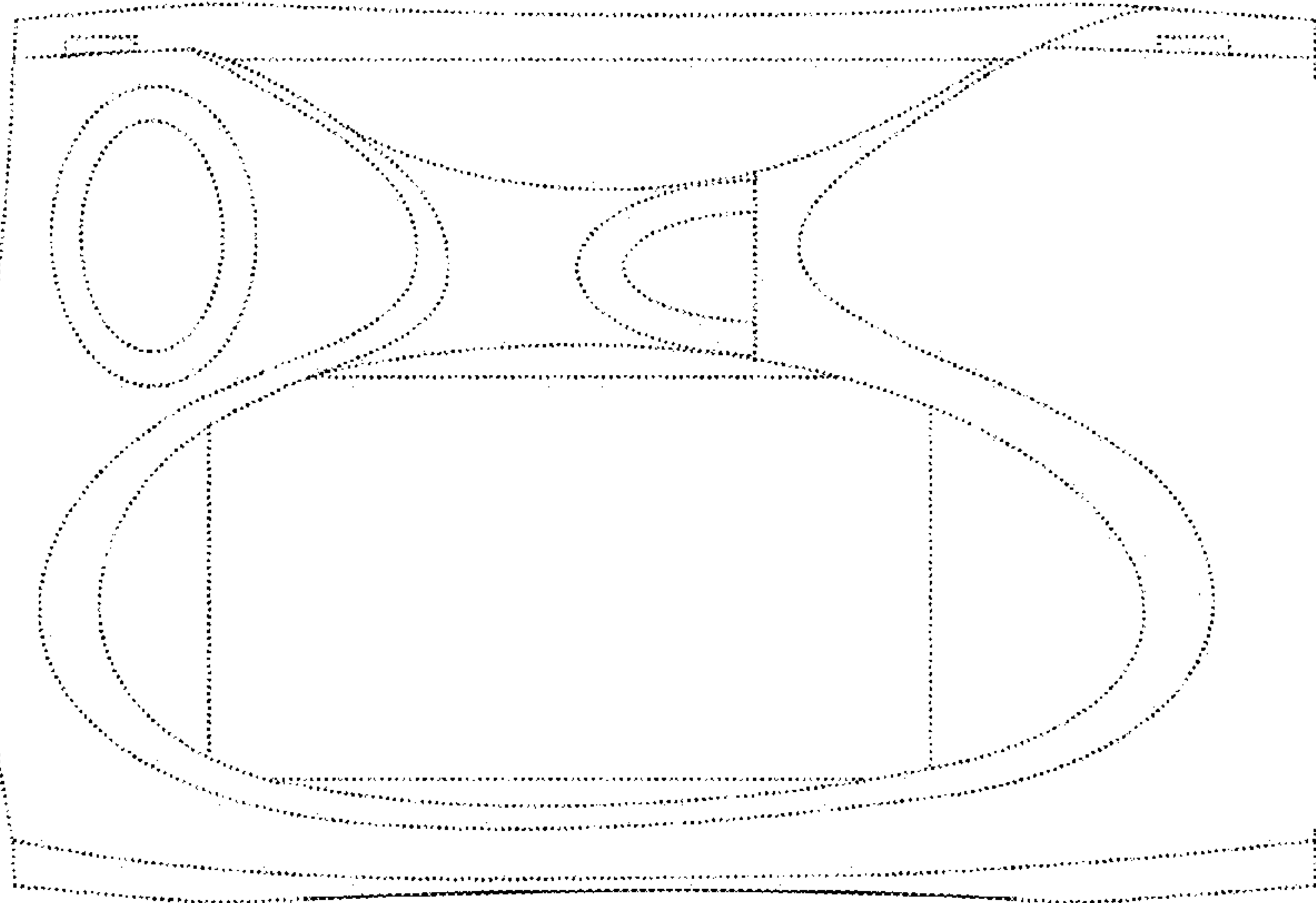
*Fig. 9*

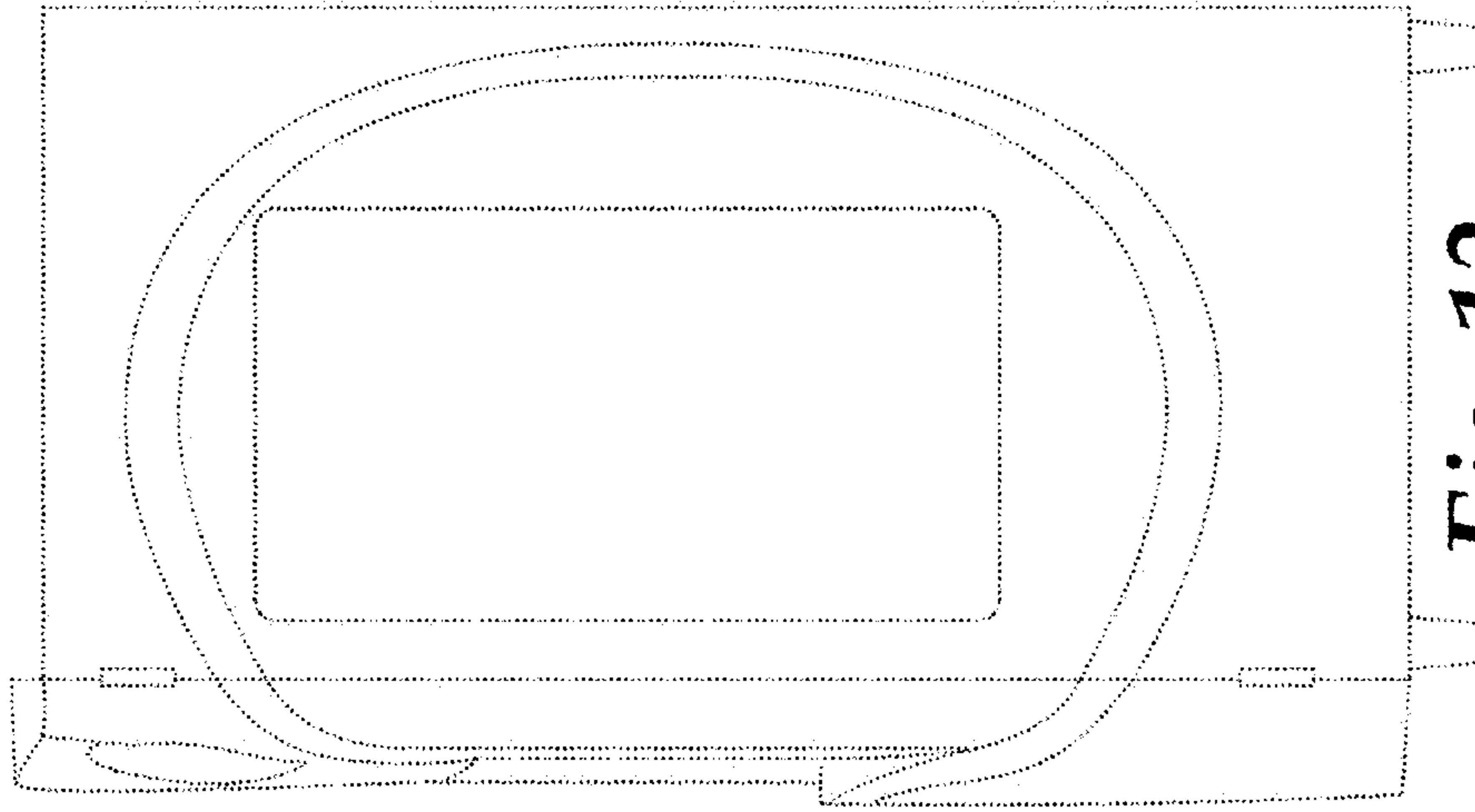


*Fig. 10*

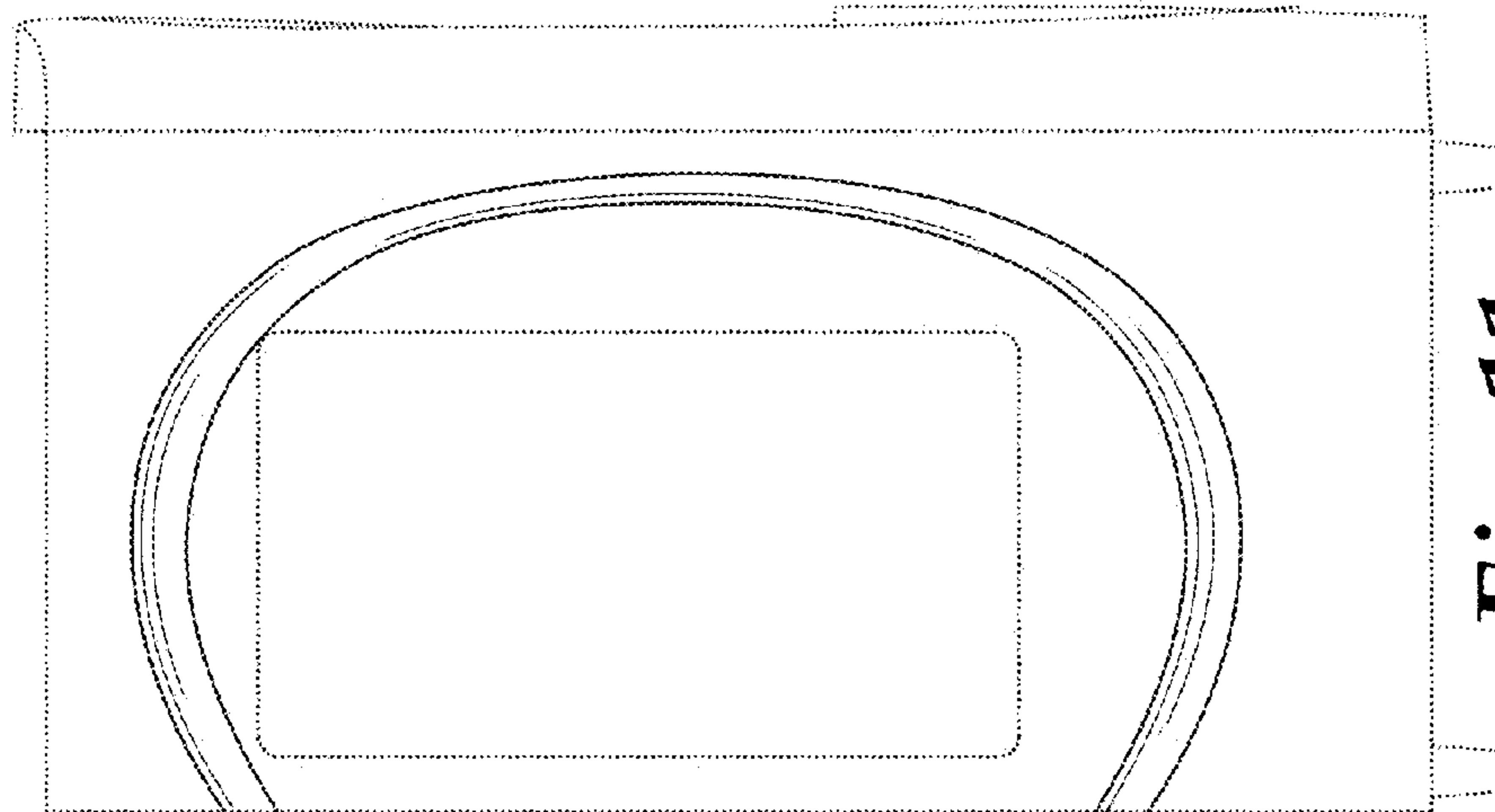


*Fig. 8*





*Fig. 12*



*Fig. 11*