



US00D727425S

(12) **United States Design Patent**  
**Alvarado et al.**

(10) **Patent No.:** **US D727,425 S**  
(45) **Date of Patent:** **\*\* Apr. 21, 2015**

(54) **VENDING MACHINE PANEL**

221/251, 311; D99/28; D7/305-312;  
D15/89; 194/236, 239, 350

(71) Applicant: **Intercontinental Great Brands LLC**,  
East Hanover, NJ (US)

See application file for complete search history.

(72) Inventors: **Eddin Alvarado**, Wyckoff, NJ (US);  
**Frank Guzzone**, Libertyville, IL (US);  
**Michael H. Haskins**, Waunakee, WI  
(US); **Edward J. Kaczmarek, III**,  
Chicago, IL (US); **Mark Kwiatek**, New  
York, NY (US); **Manus Mulherin**,  
Stroudsburg, PA (US); **Thomas Michael**  
**O’Keefe**, Grayslake, IL (US); **Jonathan**  
**Ashbridge**, Leicester (GB); **Craig**  
**Jones**, Leicester (GB); **Timothy**  
**Whateley**, Leicester (GB)

(56) **References Cited**

U.S. PATENT DOCUMENTS

5,768,142 A	6/1998	Jacobs	
D441,023 S *	4/2001	Vaajakallio	..... D20/1
6,397,126 B1	5/2002	Nelson	
D503,743 S	4/2005	Huffer	
D520,064 S *	5/2006	Worthington et al.	..... D20/1
D530,750 S	10/2006	Aurelia	

(Continued)

FOREIGN PATENT DOCUMENTS

WO 2008022228 2/2008

*Primary Examiner* — Mary Ann Calabrese

(74) *Attorney, Agent, or Firm* — Fitch, Even, Tabin &  
Flannery LLP

(73) Assignee: **Intercontinental Great Brands LLC**,  
East Hanover, NJ (US)

(\*\*) Term: **14 Years**

(57) **CLAIM**

(21) Appl. No.: **29/473,019**

We claim the ornamental design for a vending machine panel,  
as shown and described.

(22) Filed: **Nov. 18, 2013**

**DESCRIPTION**

**Related U.S. Application Data**

(62) Division of application No. 29/427,259, filed on Jul.  
16, 2012, now Pat. No. Des. 695,833.

(51) **LOC (10) Cl.** ..... **20-01**

(52) **U.S. Cl.**  
USPC ..... **D20/8**

(58) **Field of Classification Search**

CPC ..... G07F 9/02; G07F 9/026; G07F 9/06;  
G07F 11/00; G07F 11/06; G07F 11/24;  
G07F 11/62; G07F 11/165; G07F 13/00;  
G07F 13/10; G07F 17/42

USPC ..... D20/1-9; 221/2, 6, 9, 12, 13, 76, 81,  
221/96, 110, 123, 124, 140, 150 R, 150 A,  
221/150 HC, 155, 156, 159, 190, 213, 231,

FIG. 1 is a front perspective view of a vending machine panel,  
in accordance with our new design;

FIG. 2 is a front elevation view of the vending machine panel  
of FIG. 1;

FIG. 3 is a top plan view of the vending machine panel of FIG.  
1;

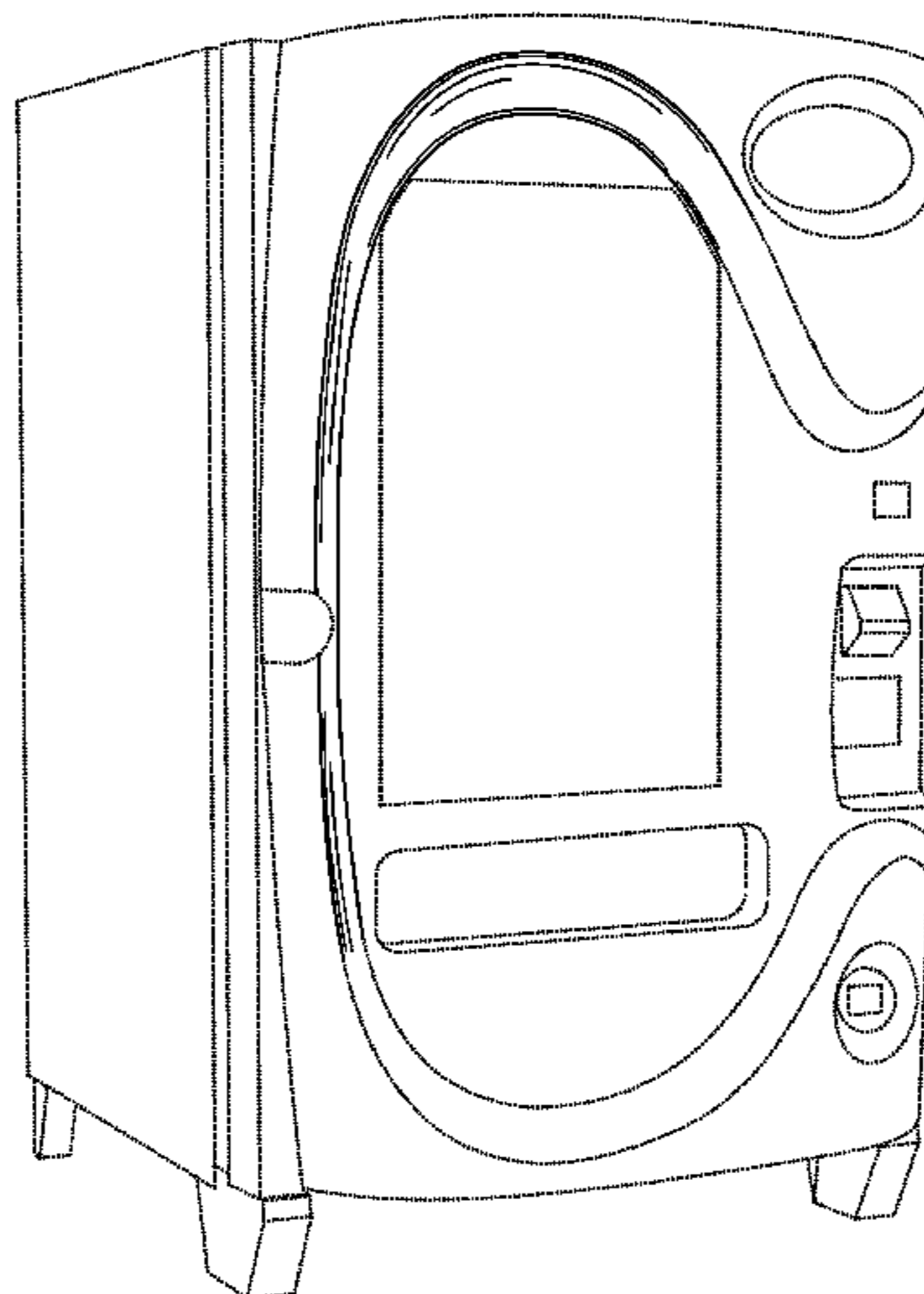
FIG. 4 is a bottom plan view of the vending machine panel of  
FIG. 1;

FIG. 5 is a left side elevation view of the vending machine  
panel of FIG. 1; and,

FIG. 6 is a right side elevation view of the vending machine  
panel of FIG. 1.

The broken lines depict unclaimed environmental subject  
matter and form no part of the claimed design.

**1 Claim, 3 Drawing Sheets**



(56)

**References Cited**

U.S. PATENT DOCUMENTS

7,152,757 B2	12/2006	Huffer			
D540,876 S	4/2007	Roekens			
D541,870 S	5/2007	Tandberg			
D563,142 S *	3/2008	Kauer .....	D7/306		
D587,509 S *	3/2009	Kennedy et al. ....	D7/306		
7,515,989 B2	4/2009	Yoshizaki			
D597,605 S	8/2009	Davis			
D606,118 S	12/2009	Voron			
D626,776 S *	11/2010	Voron et al. ....	D7/307		
				D627,187 S	11/2010 Voron
				7,881,822 B2	2/2011 Thornton
				D644,472 S	9/2011 Ponzio
				8,095,236 B2	1/2012 Rudy
				D674,443 S	1/2013 Voron
				8,369,987 B2	2/2013 Claessen
				D695,833 S	12/2013 Alvarado
				D696,726 S	12/2013 Alvarado
				2003/0019236 A1	1/2003 Heims
				2011/0173535 A1 *	7/2011 Royal et al. .... 715/703
				2012/0029690 A1	2/2012 Bruck
				2012/0330461 A1	12/2012 Doom

\* cited by examiner

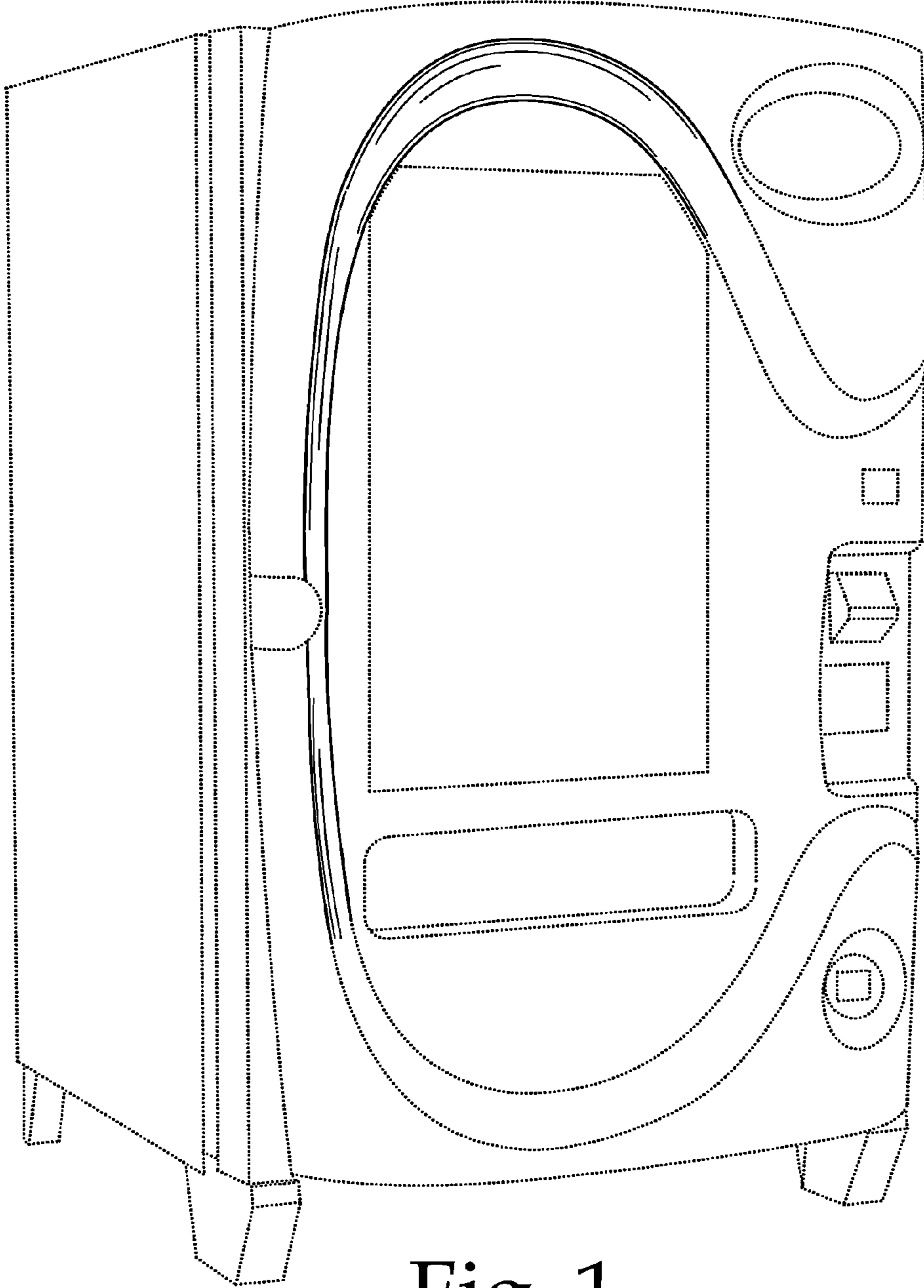


Fig. 1

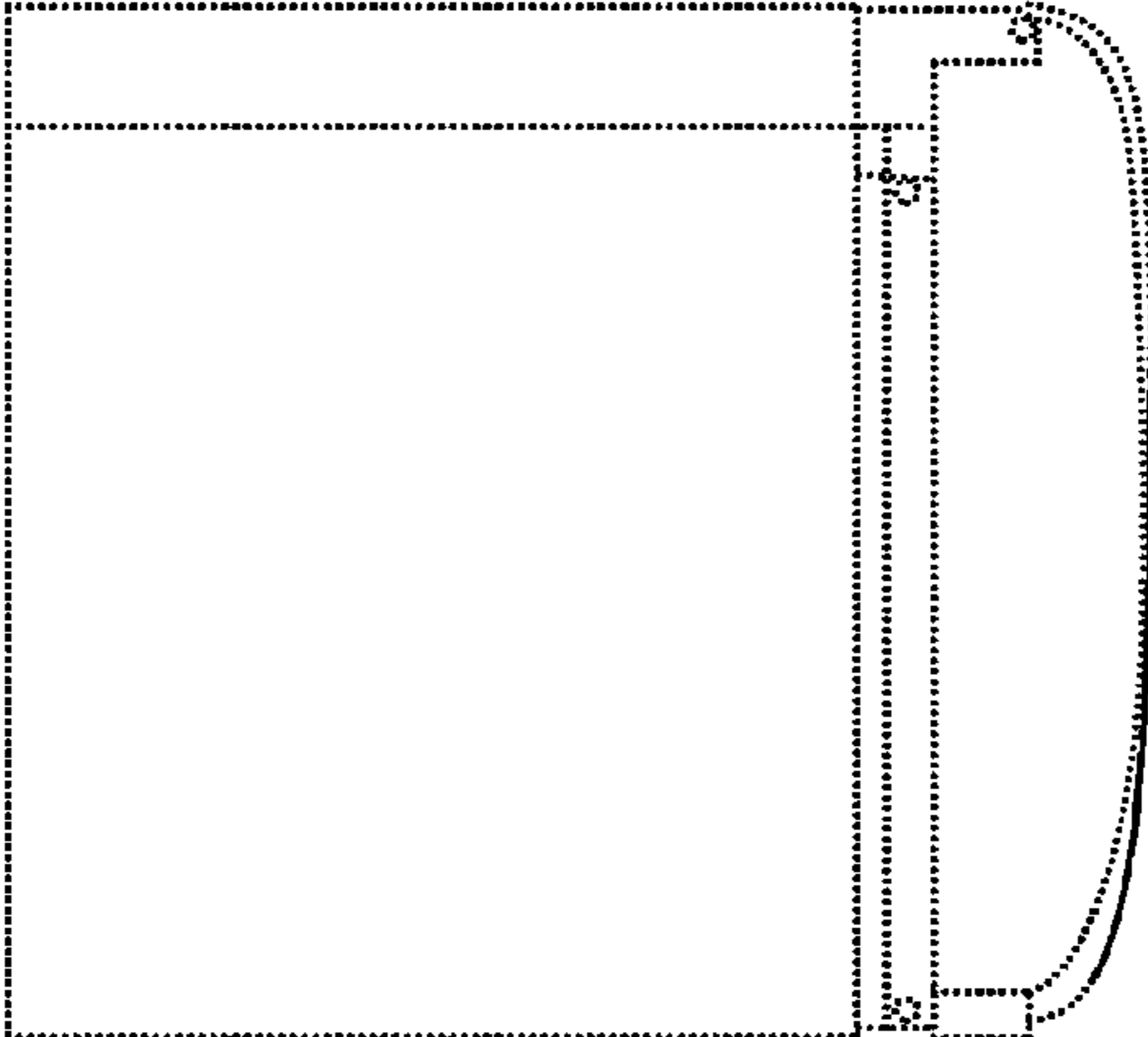


Fig. 2

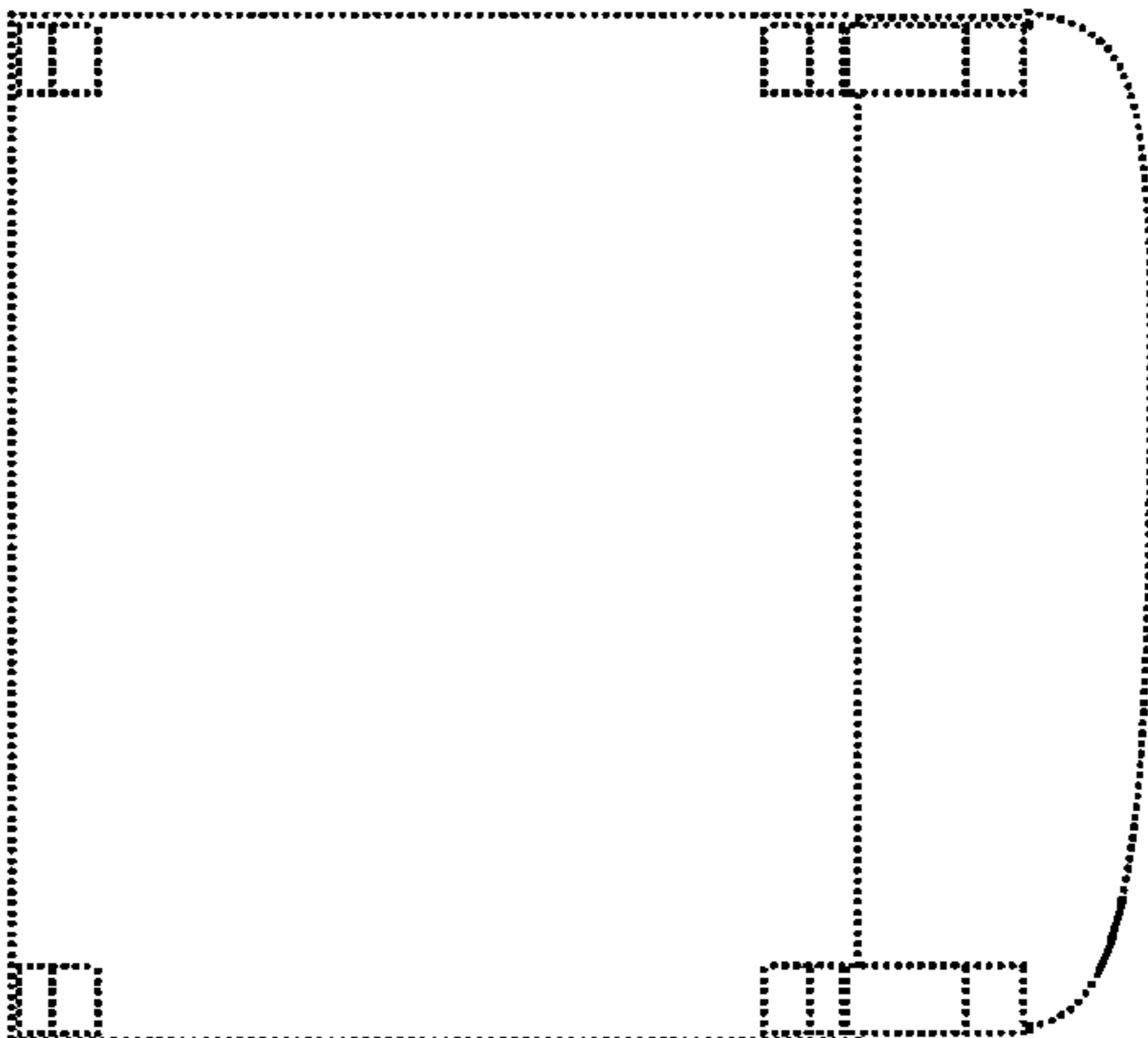


Fig. 3

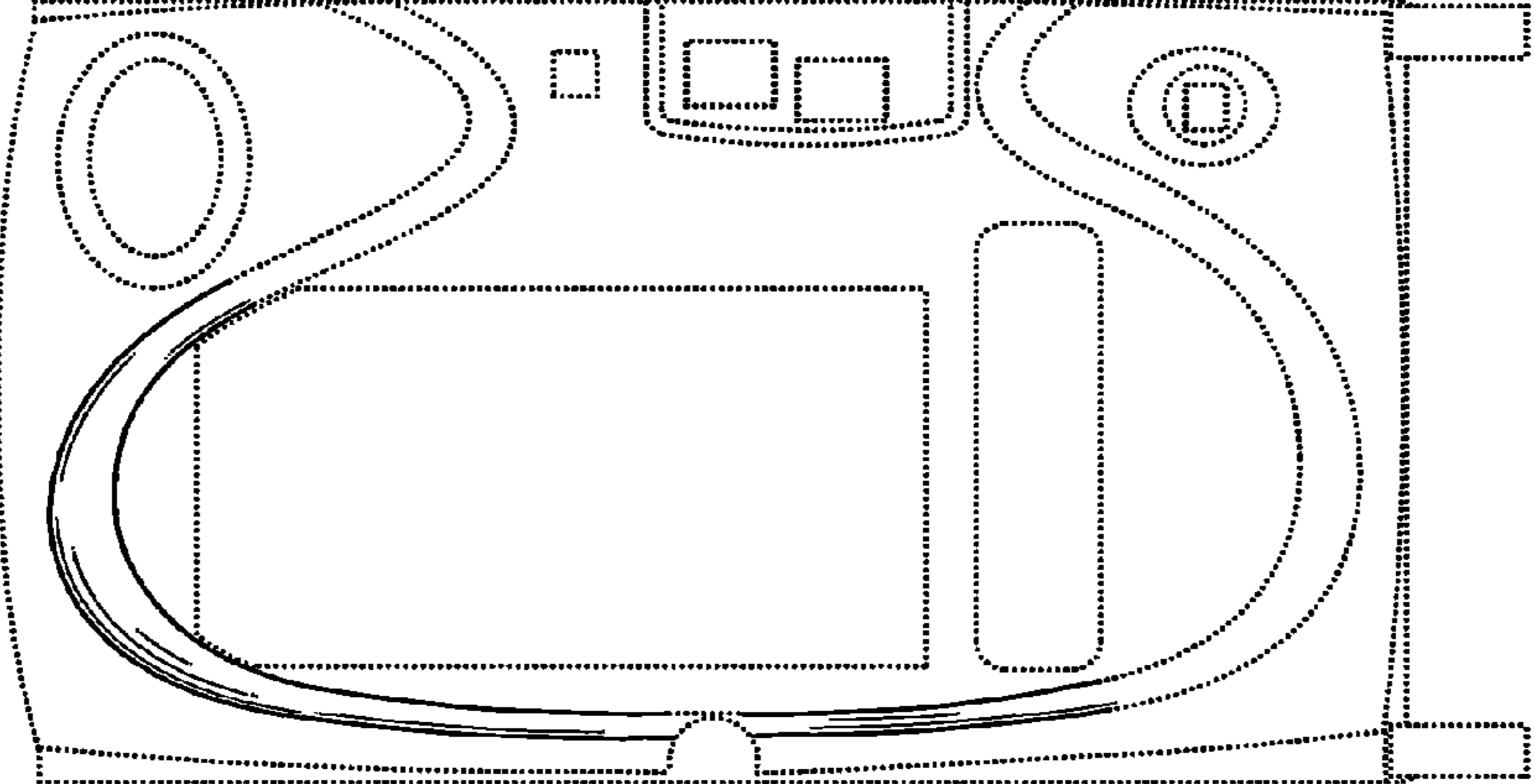


Fig. 4

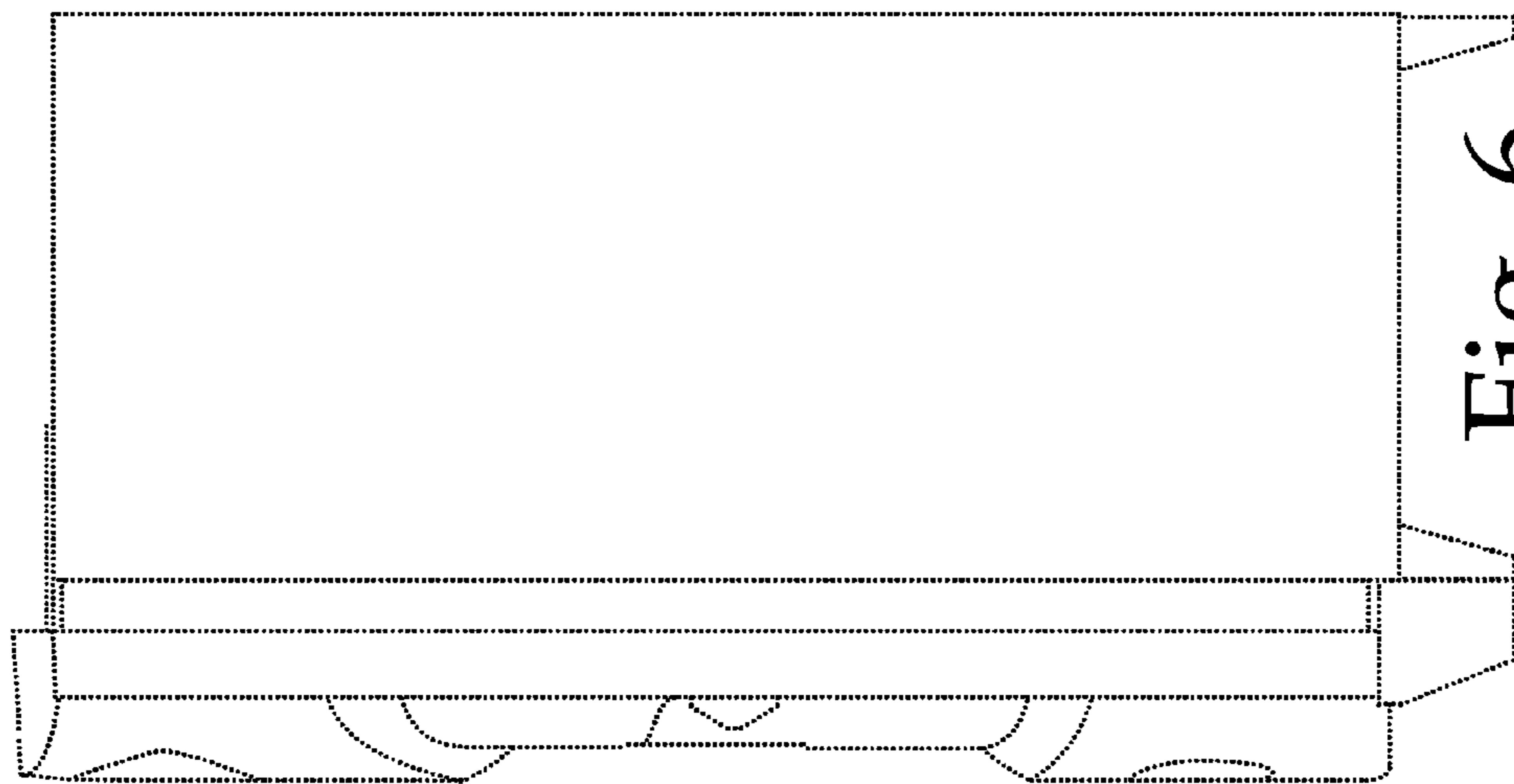


Fig. 6

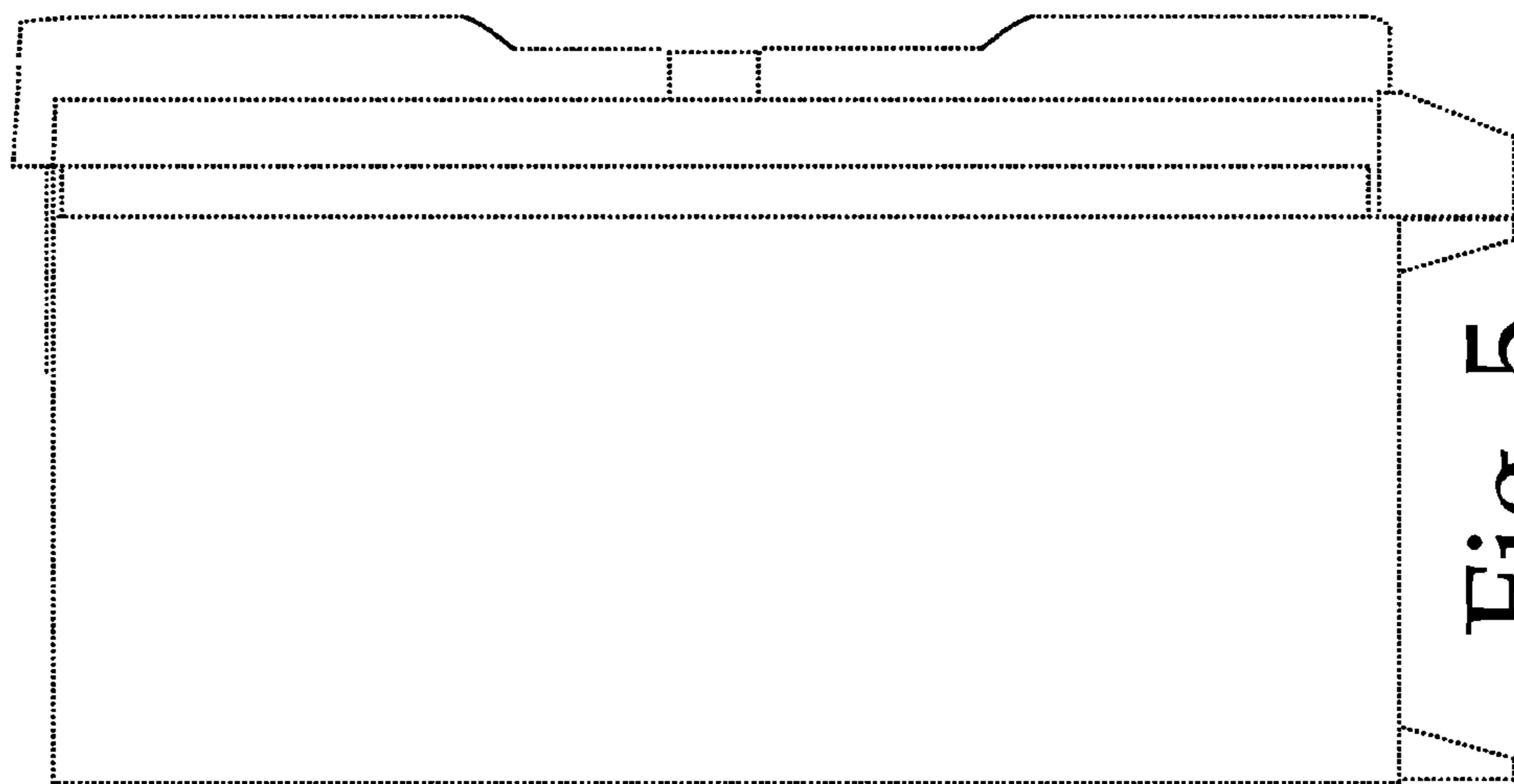


Fig. 5