



US00D727423S

(12) **United States Design Patent**  
**Evans**

(10) **Patent No.:** **US D727,423 S**  
(45) **Date of Patent:** **\*\* Apr. 21, 2015**

(54) **DESK ORGANIZER**

(71) Applicant: **Damian Evans**, Brighton (GB)

(72) Inventor: **Damian Evans**, Brighton (GB)

(73) Assignee: **Damian Evans Design Limited**,  
Brighton (GB)

(\*\*) Term: **14 Years**

(21) Appl. No.: **29/443,229**

(22) Filed: **Jan. 15, 2013**

(30) **Foreign Application Priority Data**

Nov. 2, 2012 (EM) ..... 002129361-0001

(51) **LOC (10) Cl.** ..... **19-02**

(52) **U.S. Cl.**  
USPC ..... **D19/77**

(58) **Field of Classification Search**  
CPC .. B43M 99/008; B43M 99/009; A45C 11/24;  
B65D 21/00  
USPC ..... D3/206, 304, 306, 310, 313, 901, 903;  
D28/73; D19/75-80, 85, 90, 92;  
206/214; 211/10, 11, 50, 55,  
211/69.1-69.9; D7/590, 601, 637, 640,  
D7/641; D9/432  
See application file for complete search history.

(56) **References Cited**

**U.S. PATENT DOCUMENTS**

D209,438 S \* 11/1967 Rothman ..... D3/296  
3,623,634 A \* 11/1971 Norgard ..... 206/509

4,807,773 A \* 2/1989 Tsai ..... 220/4.27  
D305,781 S \* 1/1990 Ukisu ..... D21/483  
5,259,502 A \* 11/1993 Chan ..... 206/372  
5,441,163 A \* 8/1995 Carrasco ..... 220/23.86  
D418,055 S \* 12/1999 Veto ..... D9/425  
D443,137 S \* 6/2001 Lai ..... D3/295  
6,302,120 B1 \* 10/2001 Kuo ..... 132/295  
D480,273 S \* 10/2003 Cordwell ..... D7/605  
7,806,284 B2 \* 10/2010 Mangano ..... 220/4.27  
8,322,354 B2 \* 12/2012 Parker ..... 132/287  
2010/0072088 A1 \* 3/2010 Palacios ..... 206/214

\* cited by examiner

*Primary Examiner* — Elizabeth Albert

(74) *Attorney, Agent, or Firm* — Cooper & Dunham LLP

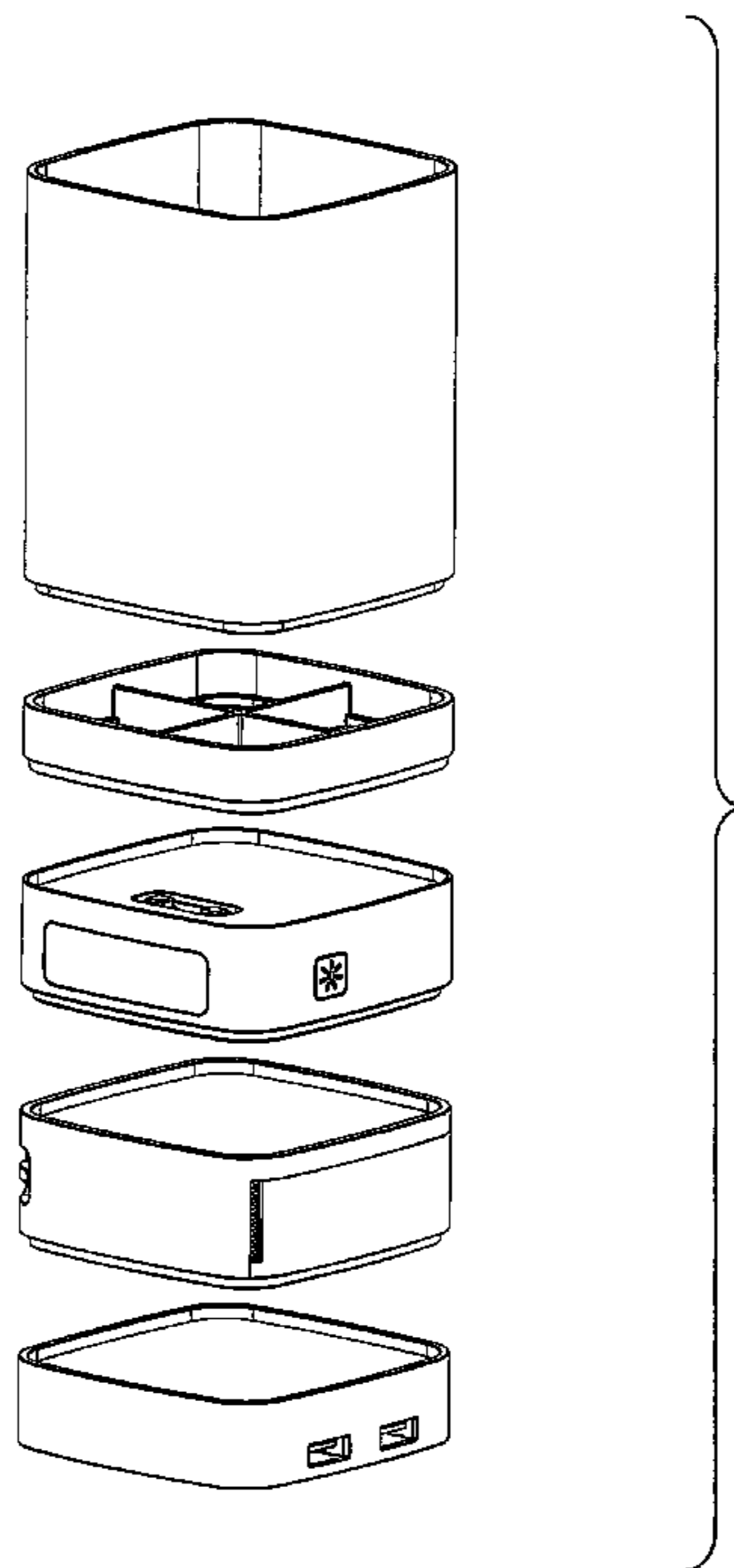
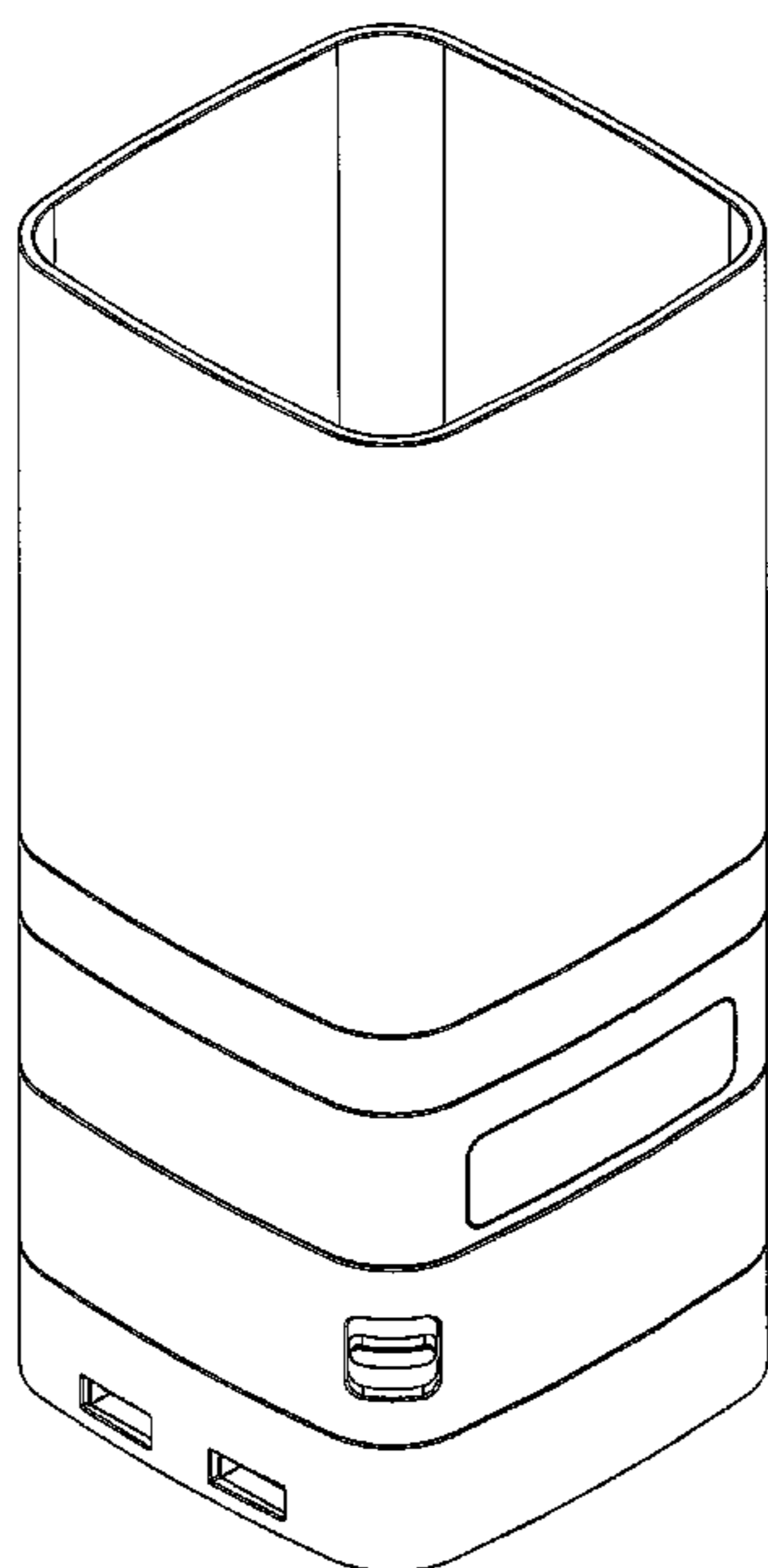
(57) **CLAIM**

I claim the ornamental design for desk organizer, as shown and described.

**DESCRIPTION**

FIG. 1 is a right side perspective view of the desk organizer. FIG. 2 is an exploded perspective view of the claimed design. FIG. 3 is a left side perspective view of the claimed design. FIG. 4 is an exploded perspective view the claimed design. FIG. 5 is a front perspective view of the claimed design. FIG. 6 is a right side elevational view of the claimed design. FIG. 7 is a left side elevational view of the claimed design; and, FIG. 8 is a top view of the claimed design. The broken lines in the drawings are included to show portions of the desk organizer that form no part of the claimed design.

**1 Claim, 8 Drawing Sheets**



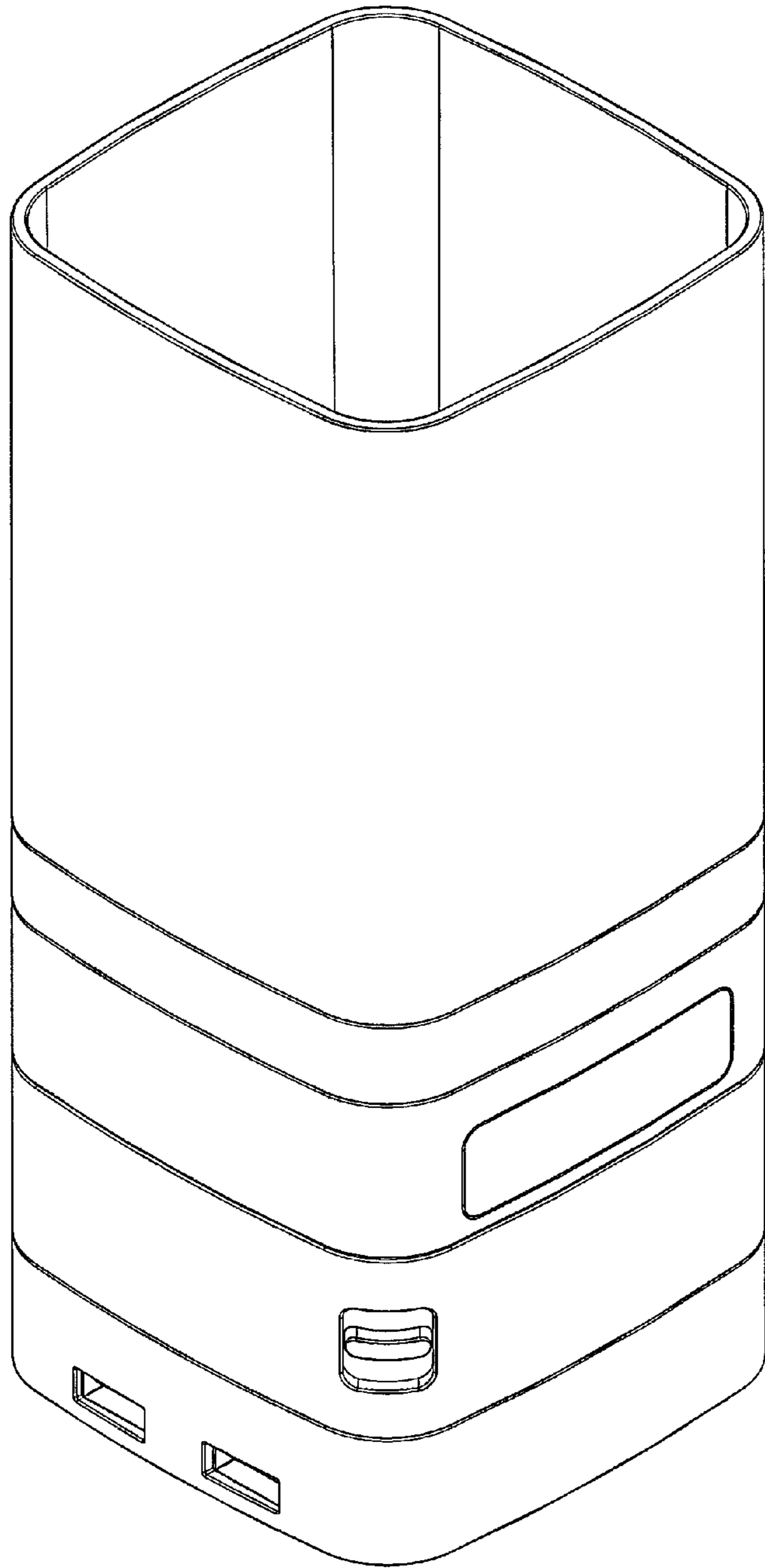


FIG. 1

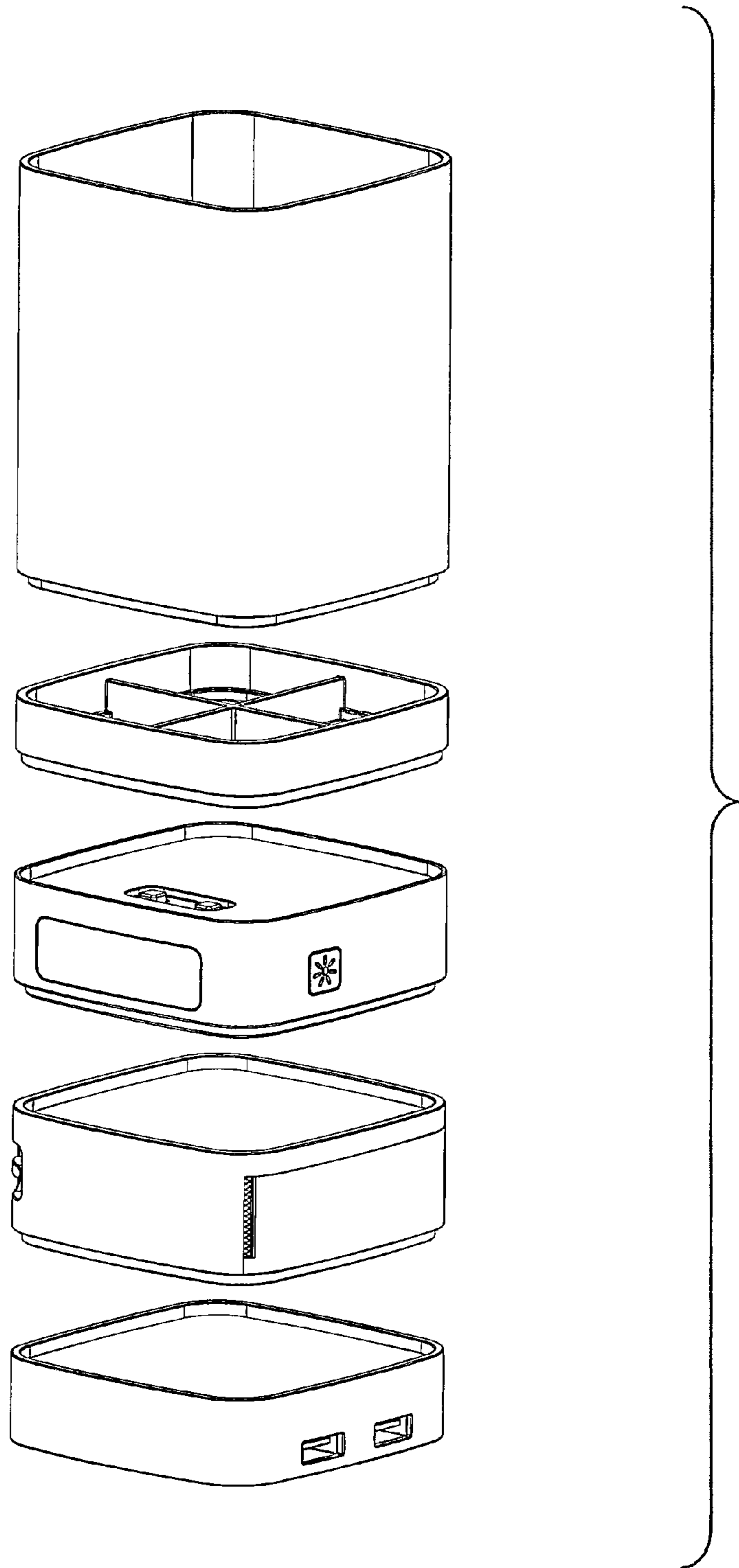


FIG. 2

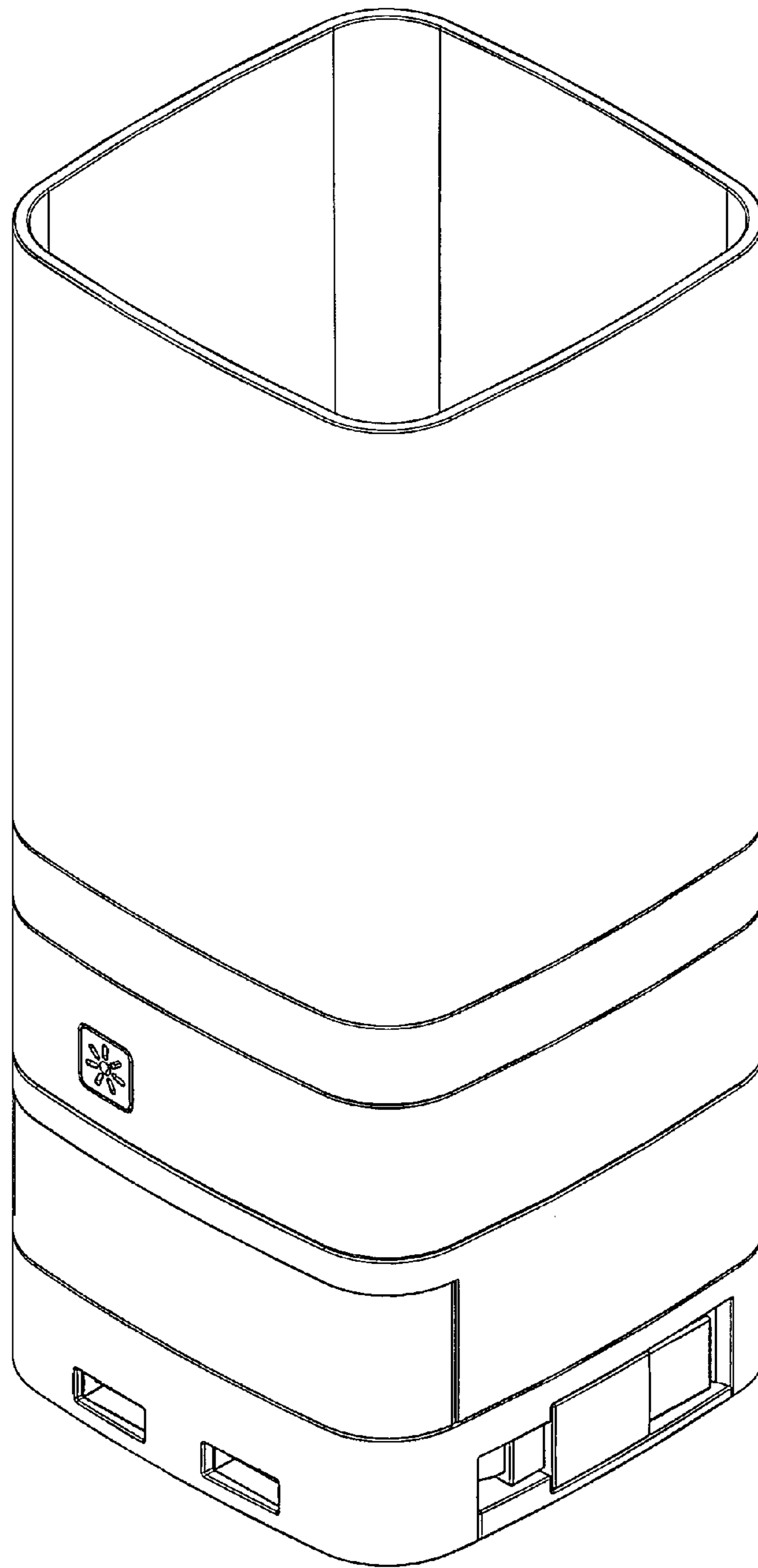


FIG. 3

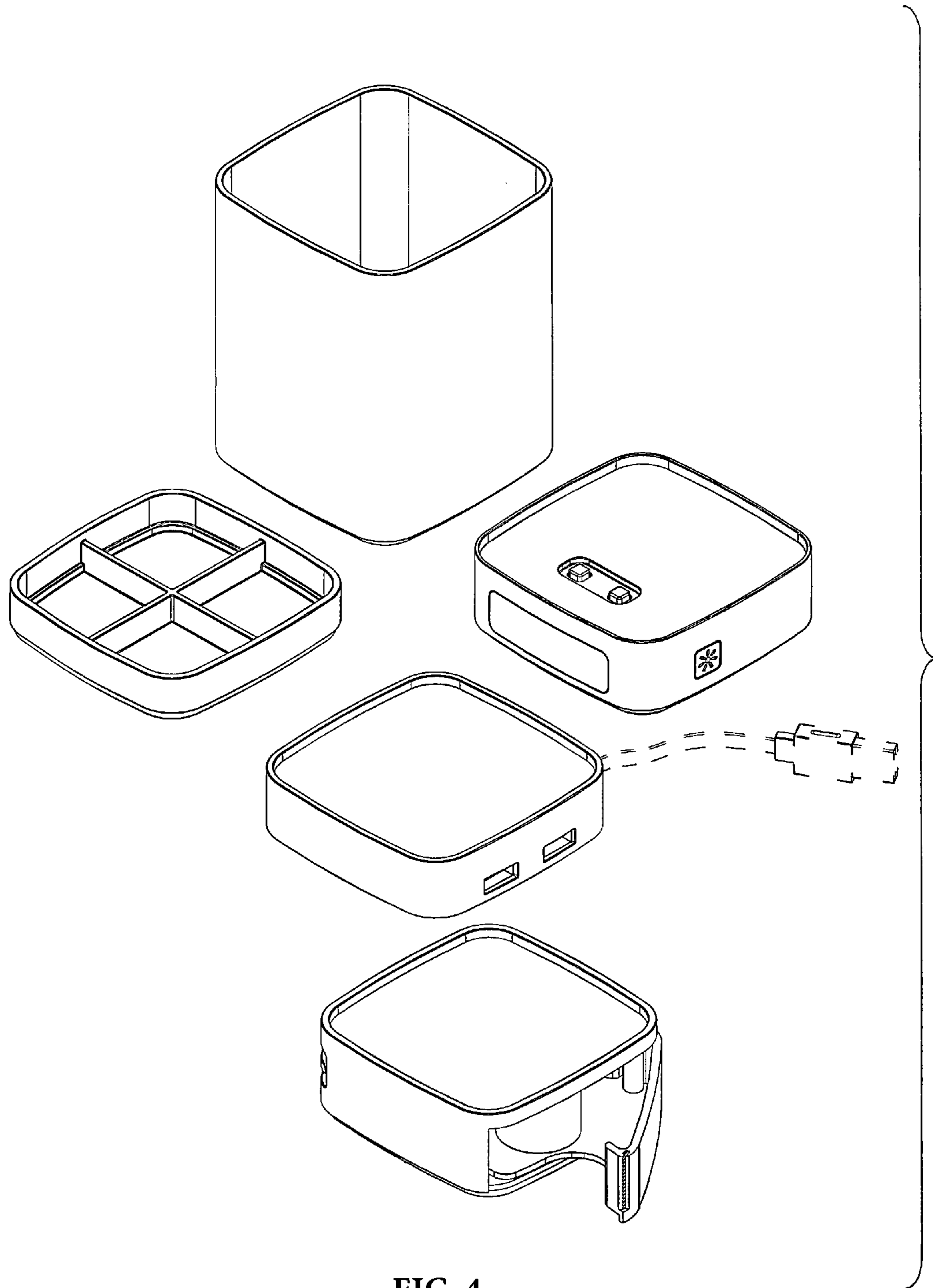


FIG. 4

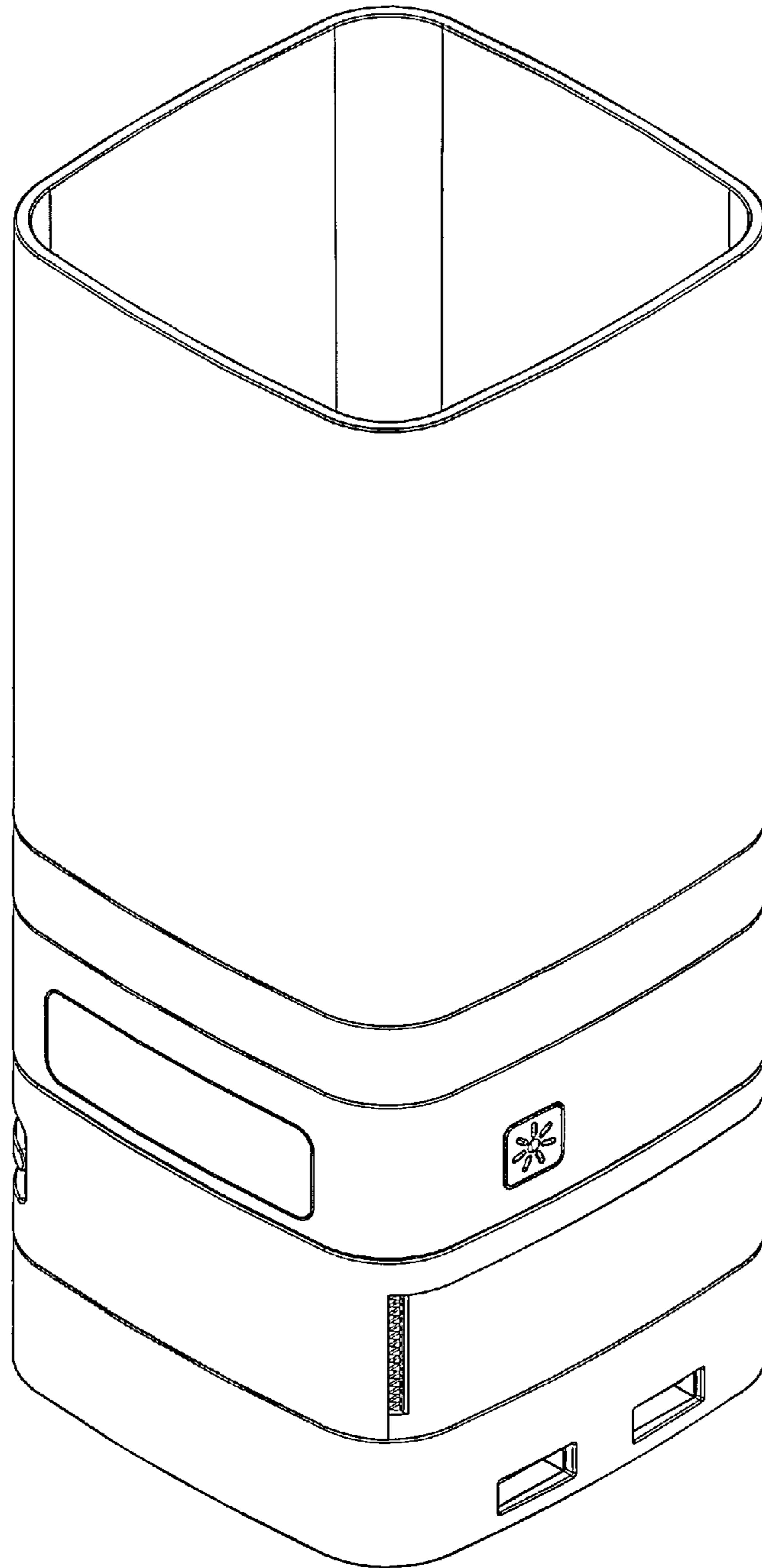


FIG. 5

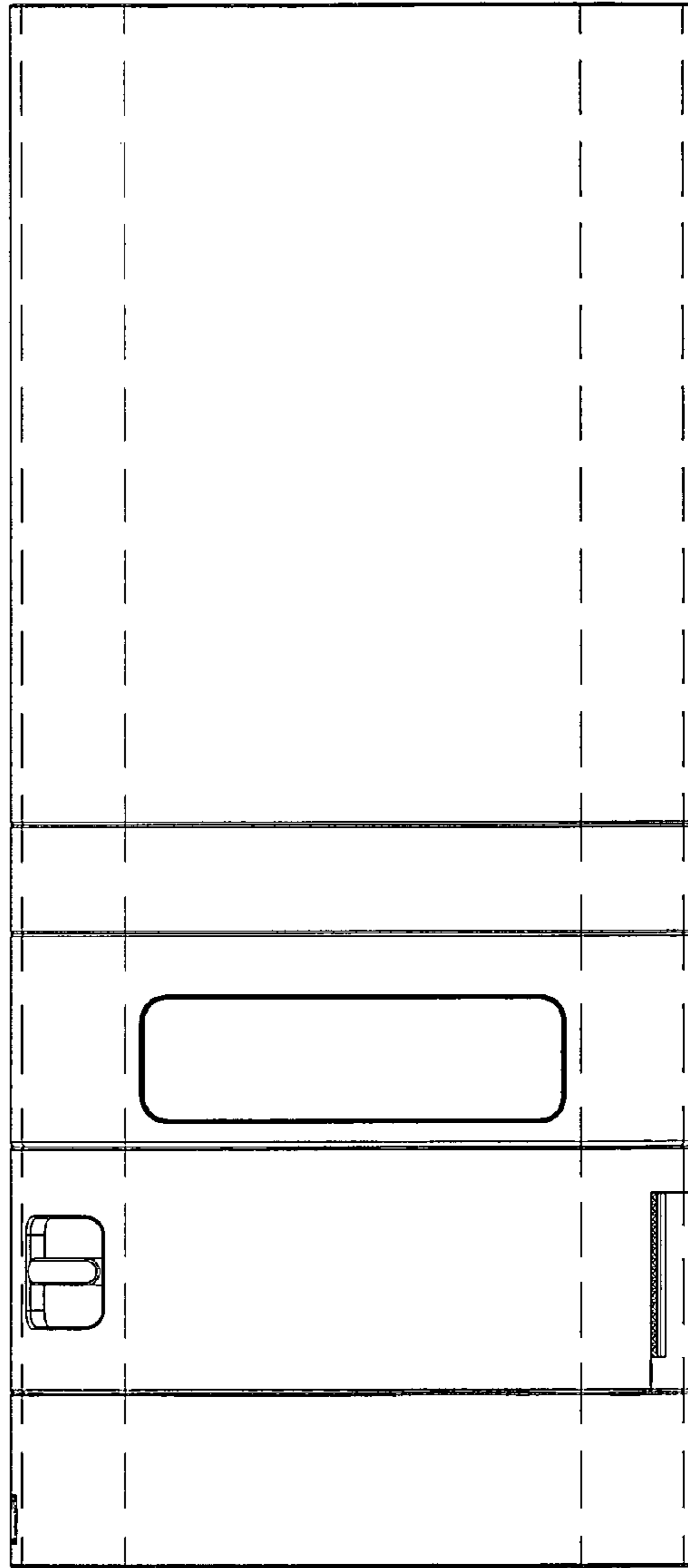


FIG. 6

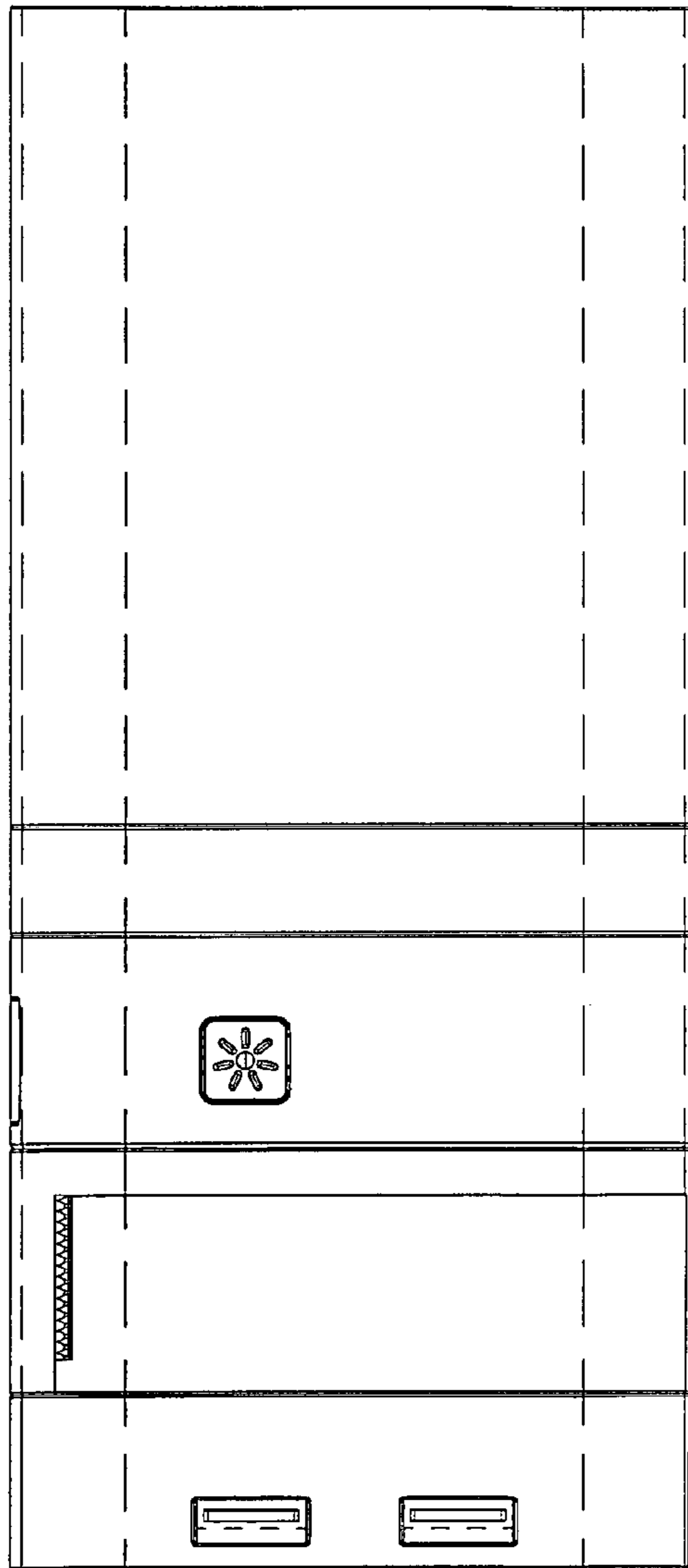


FIG. 7



FIG. 8

