



US00D727422S

(12) **United States Design Patent**
Maiwald et al.

(10) **Patent No.:** **US D727,422 S**

(45) **Date of Patent:** **** Apr. 21, 2015**

(54) **APPLICATOR PEN**

(71) Applicant: **Sika Technology AG**, Baar (CH)

(72) Inventors: **Dana Maiwald**, Zürich (CH);
Dominique Burkard, Gretzenbach (CH)

(73) Assignee: **Sika Technology AG**, Baar (CH)

(**) Term: **14 Years**

(21) Appl. No.: **29/447,438**

(22) Filed: **Mar. 4, 2013**

(30) **Foreign Application Priority Data**

Sep. 5, 2012 (CH) 1391/78

(51) **LOC (10) Cl.** **19-66**

(52) **U.S. Cl.**
USPC **D19/66**

(58) **Field of Classification Search**
USPC D28/7, 8, 20-22, 30-31, 76, 85, 99;
132/108, 202, 208, 317.32;
401/202-207, 261-267, 69, 119;
D4/132-135; D24/119; D19/66, 43,
D19/57, 53, 69; D9/422, 428, 432, 444,
D9/447, 452, 453, 503, 520, 724;
D30/121; 220/675, 905; 215/228, 252;
D7/538, 602, 612, 615, 629

See application file for complete search history.

(56) **References Cited**

U.S. PATENT DOCUMENTS

4,723,860	A *	2/1988	Giblin et al.	401/208
D309,755	S *	8/1990	Halm	D19/66
D353,397	S *	12/1994	Banik	D19/66
D411,237	S *	6/1999	Izushima	D19/66
5,947,624	A *	9/1999	Davignon	401/202
5,960,802	A *	10/1999	Sakai	132/320
D443,641	S *	6/2001	Mader	D19/36
D448,120	S *	9/2001	Look	D28/77
D452,529	S *	12/2001	Tsuchida	D19/66
D455,868	S *	4/2002	Look	D28/77
D463,495	S *	9/2002	Sasada	D19/66
6,485,211	B1 *	11/2002	Leo et al.	401/6
6,626,600	B1 *	9/2003	Brand et al.	401/202
D493,484	S *	7/2004	Shova et al.	D19/43
D601,626	S *	10/2009	Liu	D19/43
D686,366	S *	7/2013	Ruiz et al.	D28/7
D686,367	S *	7/2013	Ruiz et al.	D28/7
D696,816	S *	12/2013	Kordulla et al.	D28/7

* cited by examiner

Primary Examiner — Zenia Bennett

(74) *Attorney, Agent, or Firm* — Buchanan Ingersoll & Rooney PC

(57) **CLAIM**

The ornamental design for an applicator pen, as shown and described.

DESCRIPTION

FIG. 1 is a front, side and top perspective view of an applicator pen showing our new design in a first configuration.

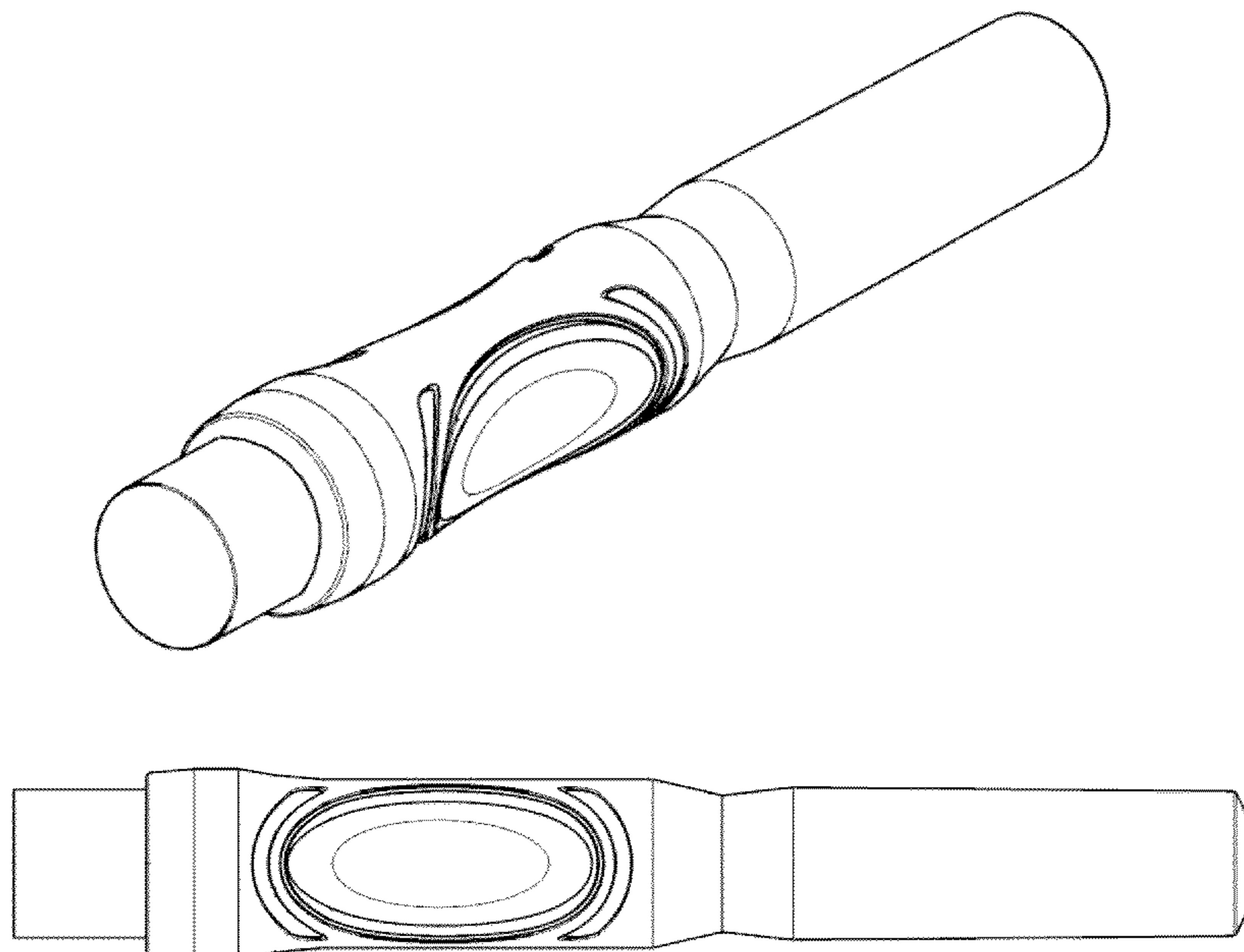
FIG. 2 is a front elevational view thereof.

FIG. 3 is a rear elevational view thereof.

FIG. 4 is a left side elevational view thereof; and,

FIG. 5 is a right side elevational view thereof.

1 Claim, 3 Drawing Sheets



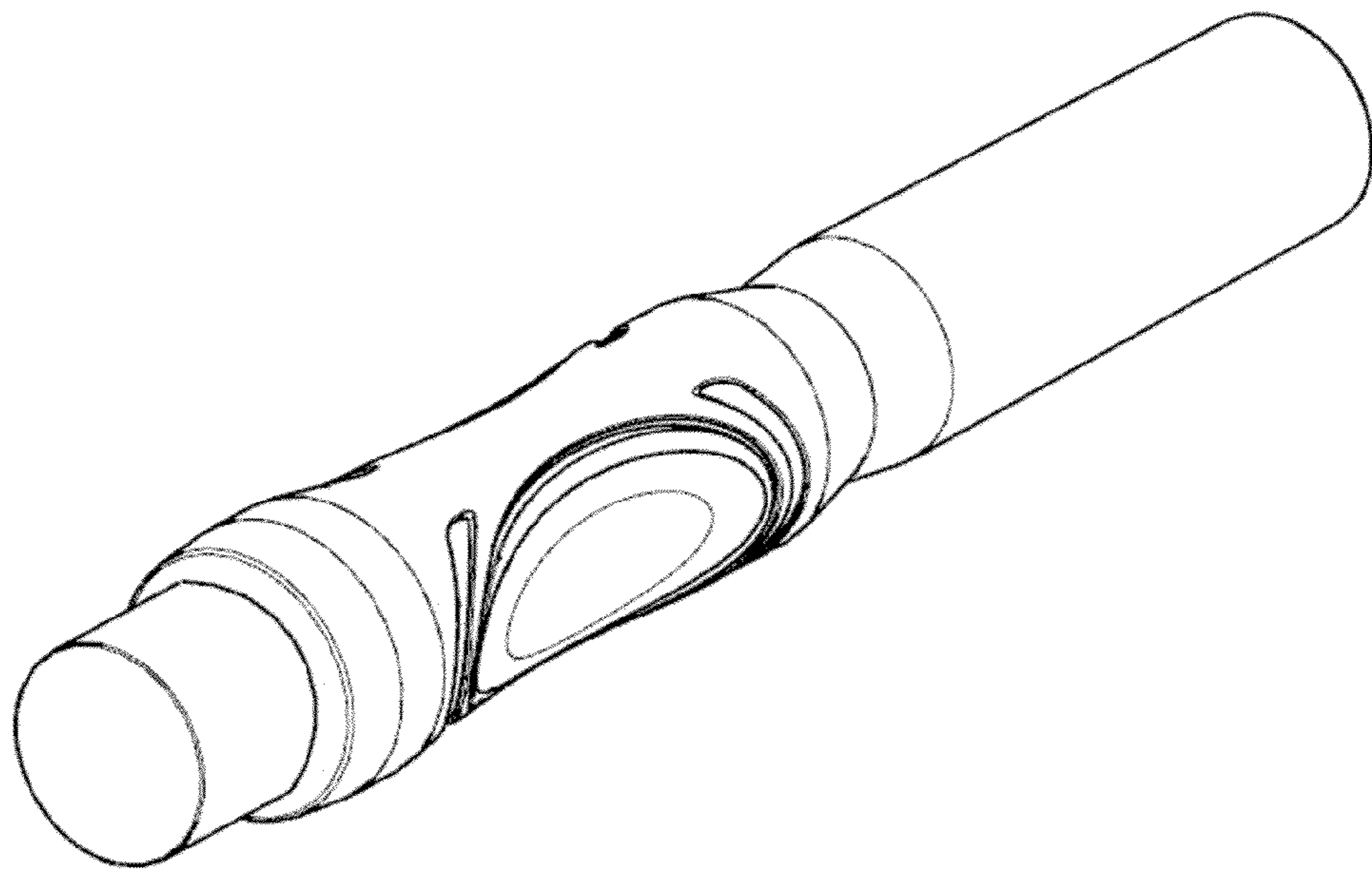


FIG. 1

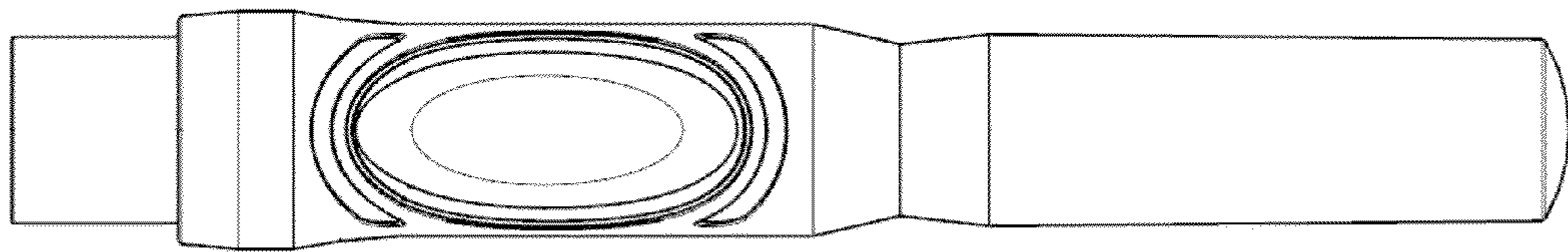


FIG. 2

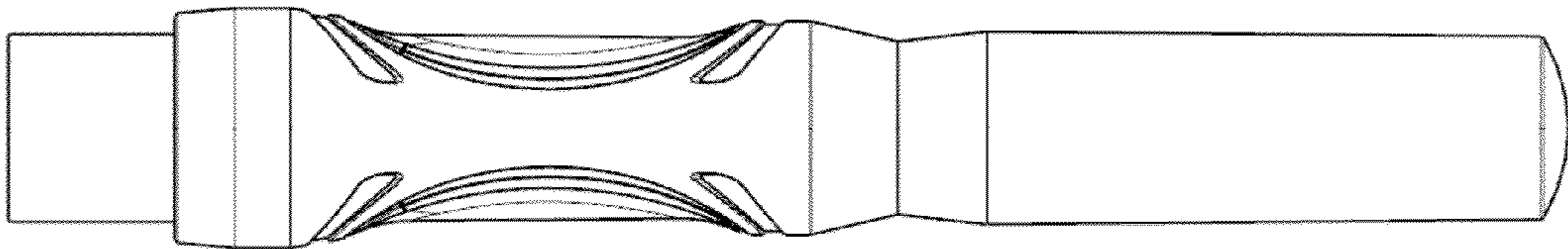


FIG. 3

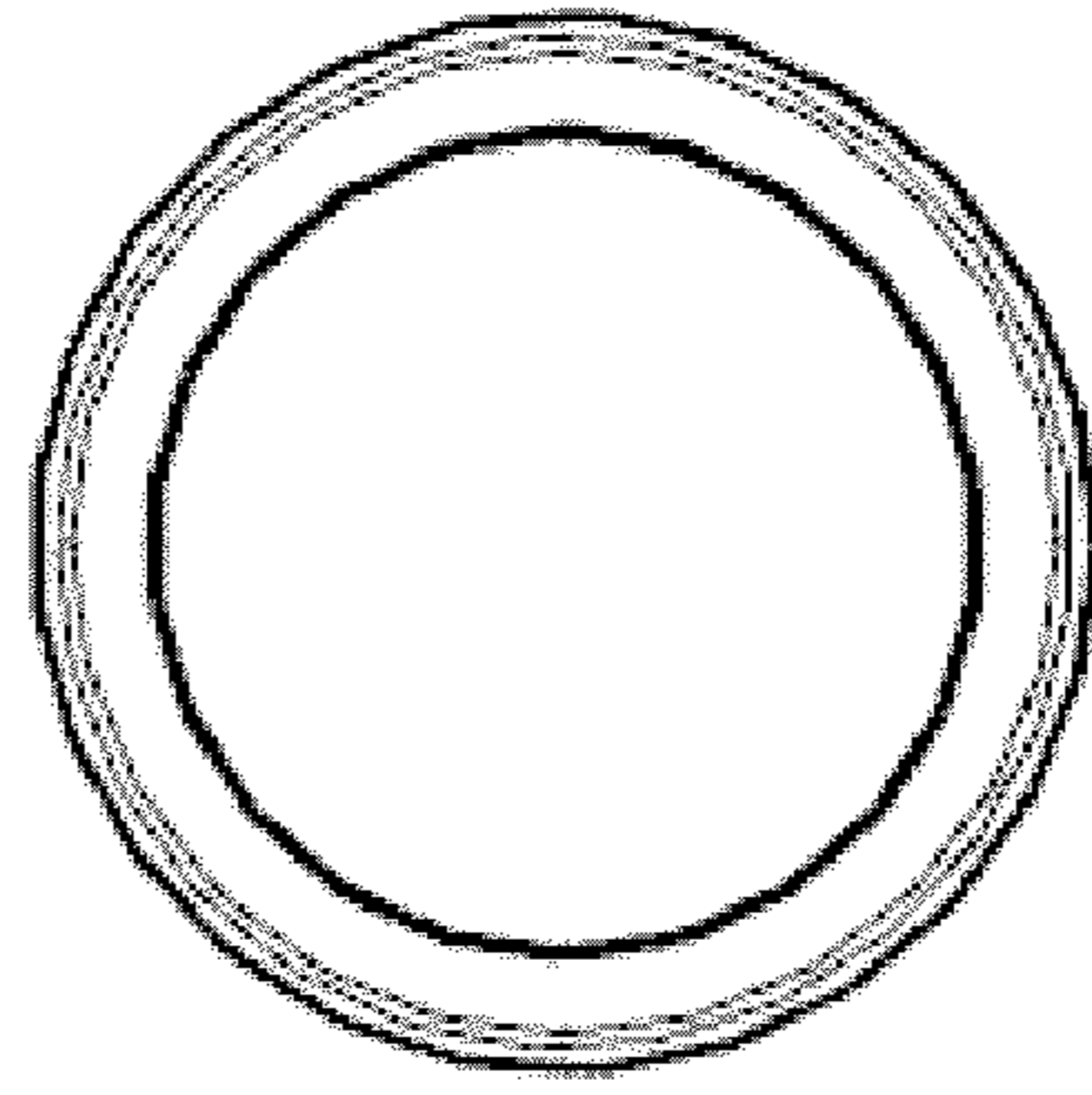


FIG. 4

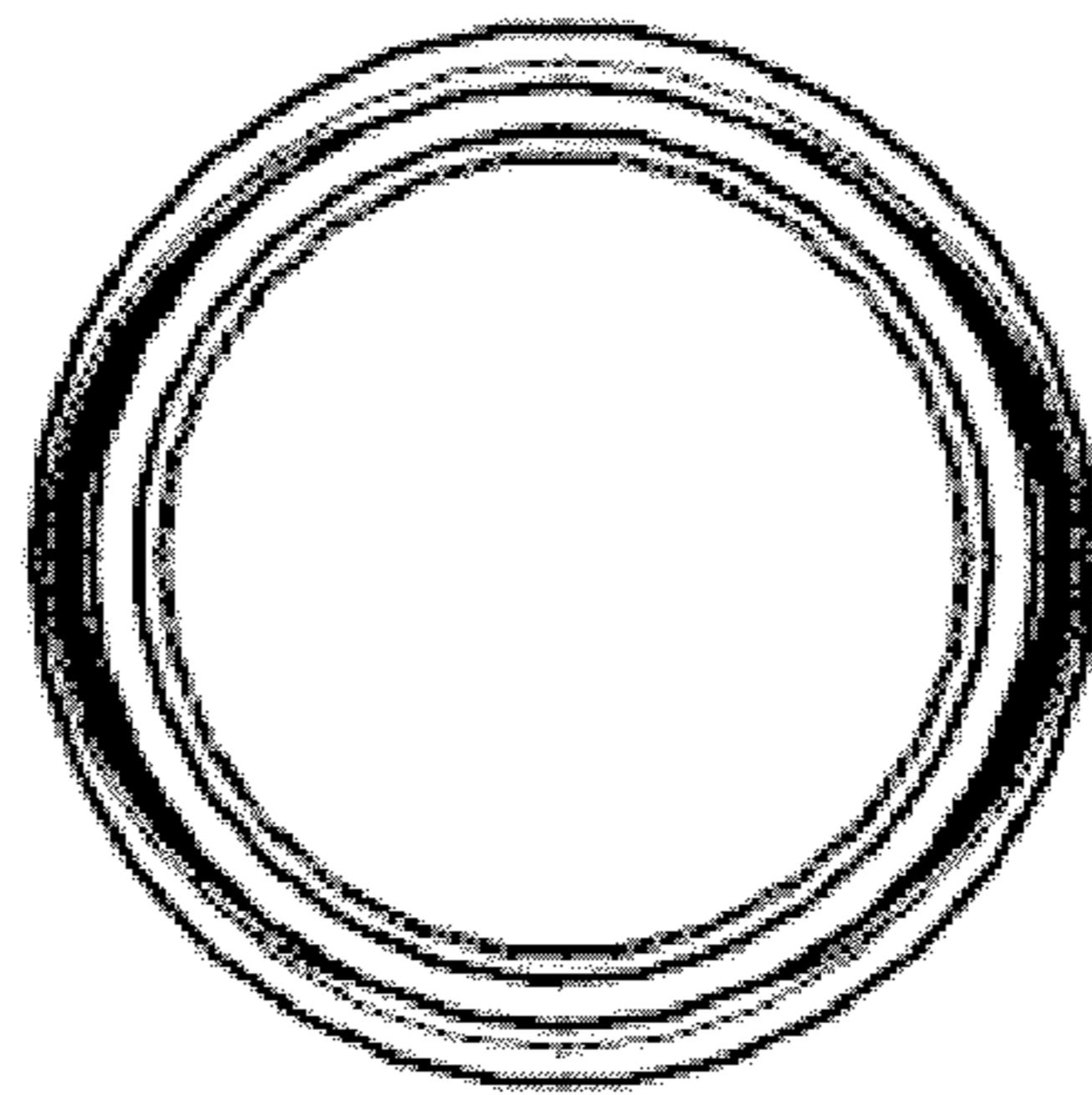


FIG. 5