



US00D727421S

(12) **United States Design Patent**
Elder

(10) **Patent No.:** **US D727,421 S**

(45) **Date of Patent:** **** Apr. 21, 2015**

(54) **BRAKE ASSEMBLY INSTRUCTION MODEL**

(76) Inventor: **Ramon Elder**, Denver, CO (US)

(**) Term: **14 Years**

(21) Appl. No.: **29/426,251**

(22) Filed: **Jul. 2, 2012**

(51) **LOC (10) Cl.** **19-07**

(52) **U.S. Cl.**
USPC **D19/62**

(58) **Field of Classification Search**
CPC G09B 25/02; G09B 25/00; G09B 25/025;
F16D 65/12; F16D 65/16; F16D 49/00;
F16D 2065/00; F16D 65/00
USPC D19/59-64; D12/179-180;
434/373-376, 401; D21/528, 533, 548;
188/84, 218 XL, 219.1

See application file for complete search history.

(56) **References Cited**

U.S. PATENT DOCUMENTS

1,722,659	A	7/1929	Clark	
2,095,046	A	10/1937	Wilner	
3,172,666	A	3/1965	Ryan	
3,193,293	A	7/1965	Schaper	
D217,272	S *	4/1970	Geine	D21/528
3,577,661	A	5/1971	Usrey	
3,986,277	A *	10/1976	Valentine	434/314
3,987,557	A *	10/1976	Valentine	434/314
D244,760	S *	6/1977	Phillips	D19/62
4,058,317	A	11/1977	McCarthy	
D253,313	S *	10/1979	Josvanger	D19/62
D254,793	S	4/1980	Morey	
D270,073	S	8/1983	Morey	
4,468,033	A	8/1984	Minami et al.	
D278,163	S *	3/1985	Carignan et al.	D21/528
D286,060	S	10/1986	Morey	
D286,651	S	11/1986	Morey	
5,100,142	A	3/1992	Cannata	

5,194,031	A	3/1993	Sahler	
5,346,420	A	9/1994	Glickman	
D356,063	S *	3/1995	Campbell et al.	D19/63
D360,438	S *	7/1995	Foster et al.	D21/528
D528,162	S	9/2006	Lucas	
7,309,064	B1	12/2007	Engel	
D636,817	S	4/2011	Elder	
2006/0078852	A1 *	4/2006	Limkemann	434/62

OTHER PUBLICATIONS

Notice of Allowance for U.S. Appl. No. 29/428,388 mailed Jun. 26, 2013, 7 pages.

Notice of Allowance for U.S. Appl. No. 29/426,252 mailed Jun. 25, 2013, 7 pages.

Notice of Allowance for U.S. Appl. No. 29/426,253 mailed Jun. 26, 2013, 7 pages.

* cited by examiner

Primary Examiner — T. Chase Nelson

Assistant Examiner — Mark Cavanna

(74) *Attorney, Agent, or Firm* — Sheridan Ross P.C.

(57) **CLAIM**

The ornamental design for a brake assembly instruction model, as shown and described.

DESCRIPTION

FIG. 1 is a perspective view of the brake assembly instruction model;

FIG. 2 is a front elevation view thereof;

FIG. 3 is a rear elevation view thereof;

FIG. 4 is a right elevation view thereof;

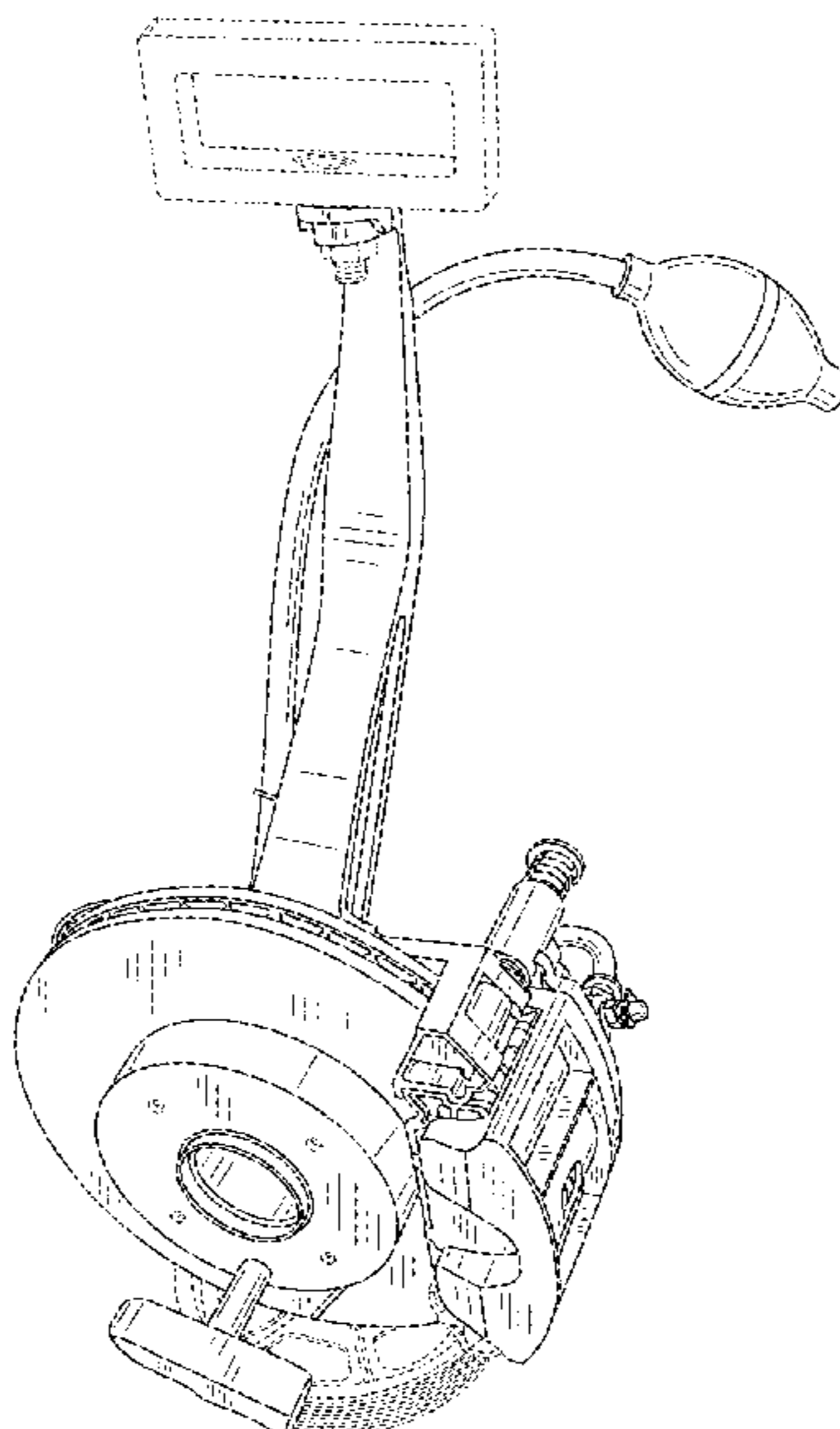
FIG. 5 is a left elevation view thereof;

FIG. 6 is a top plan view thereof; and,

FIG. 7 is a bottom plan view thereof.

The broken lines are included for the purpose of illustrating unclaimed portions of the brake assembly instruction model that form no part of the claimed design.

1 Claim, 6 Drawing Sheets



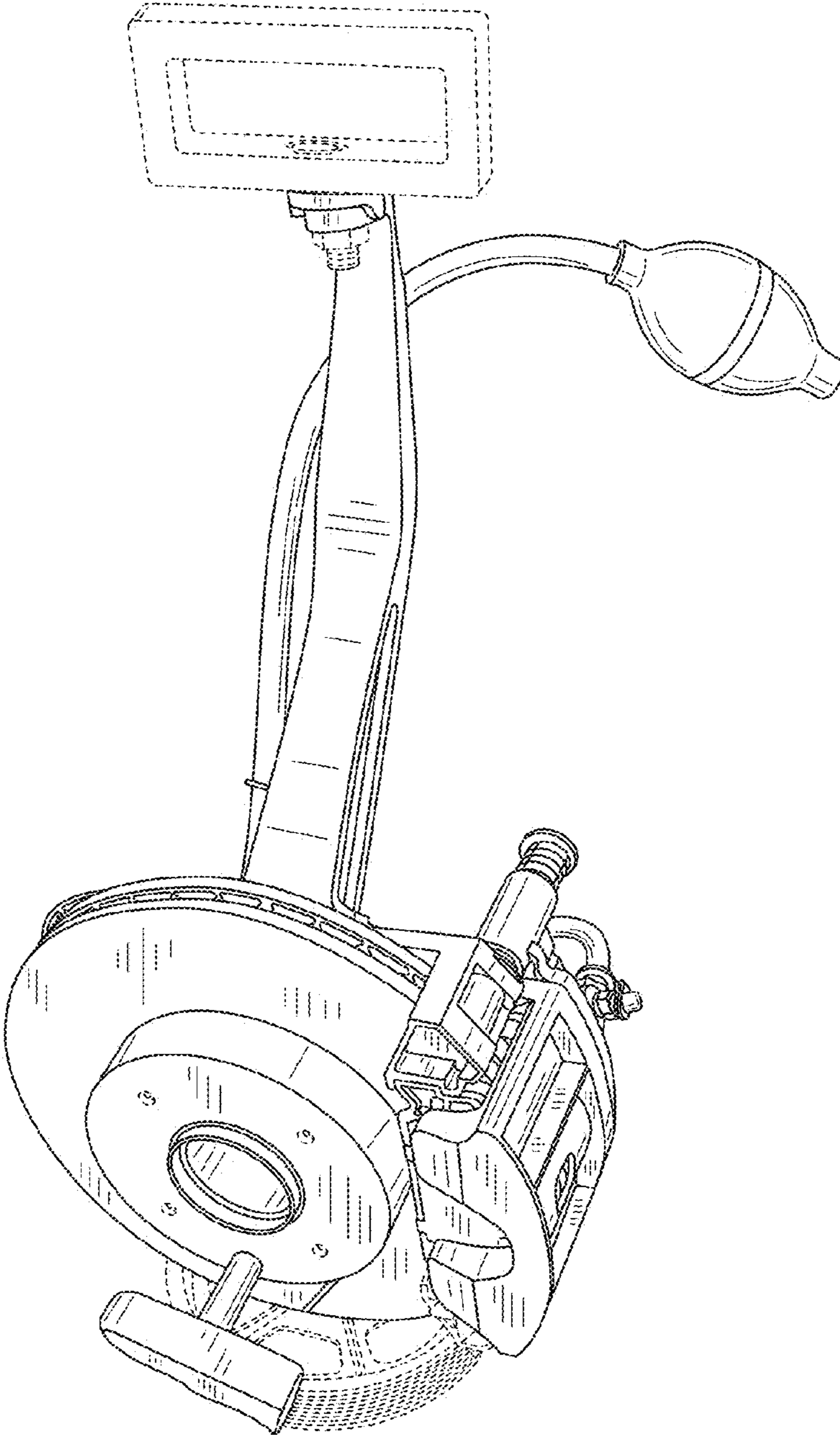


FIG. 1

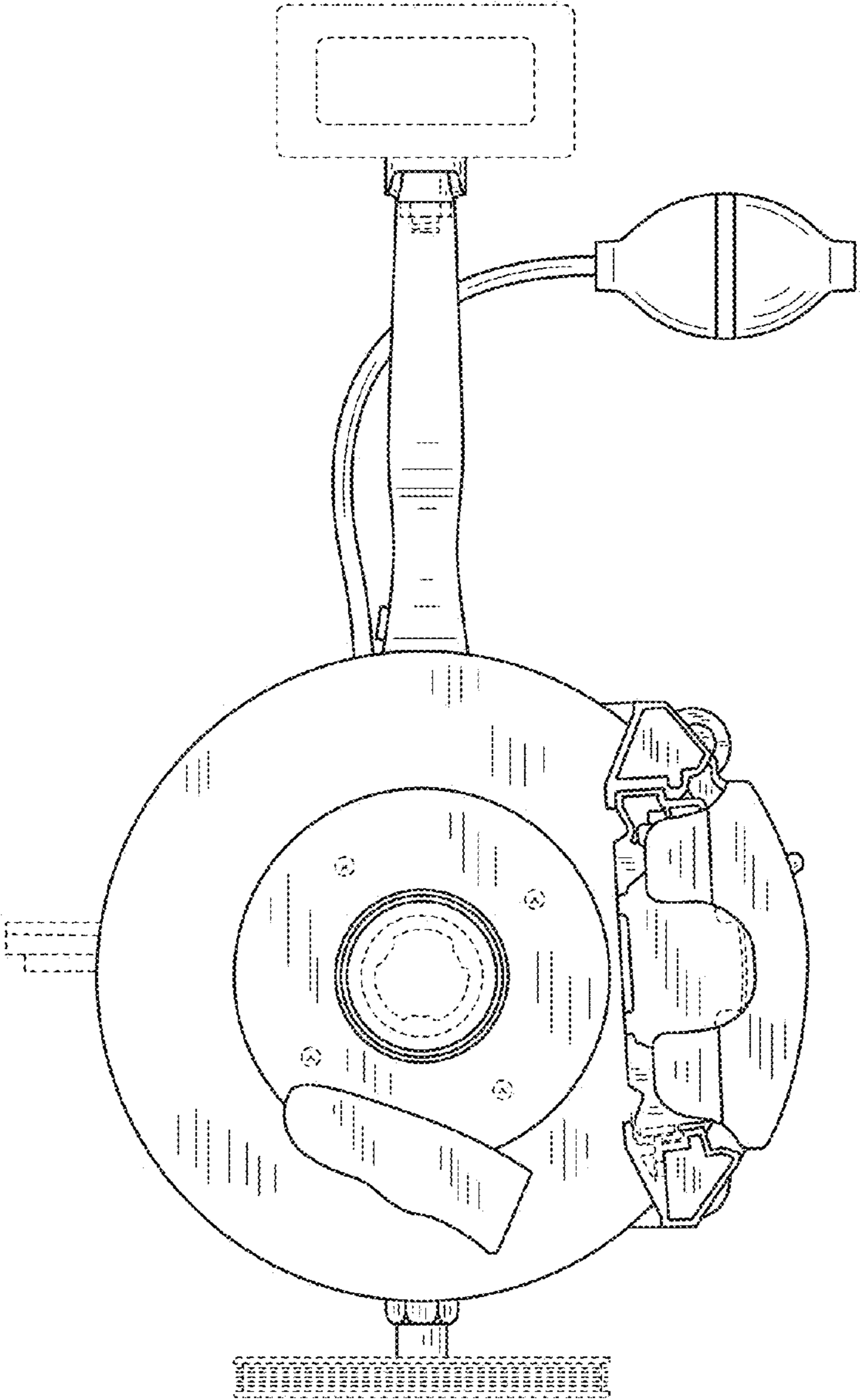


FIG.2

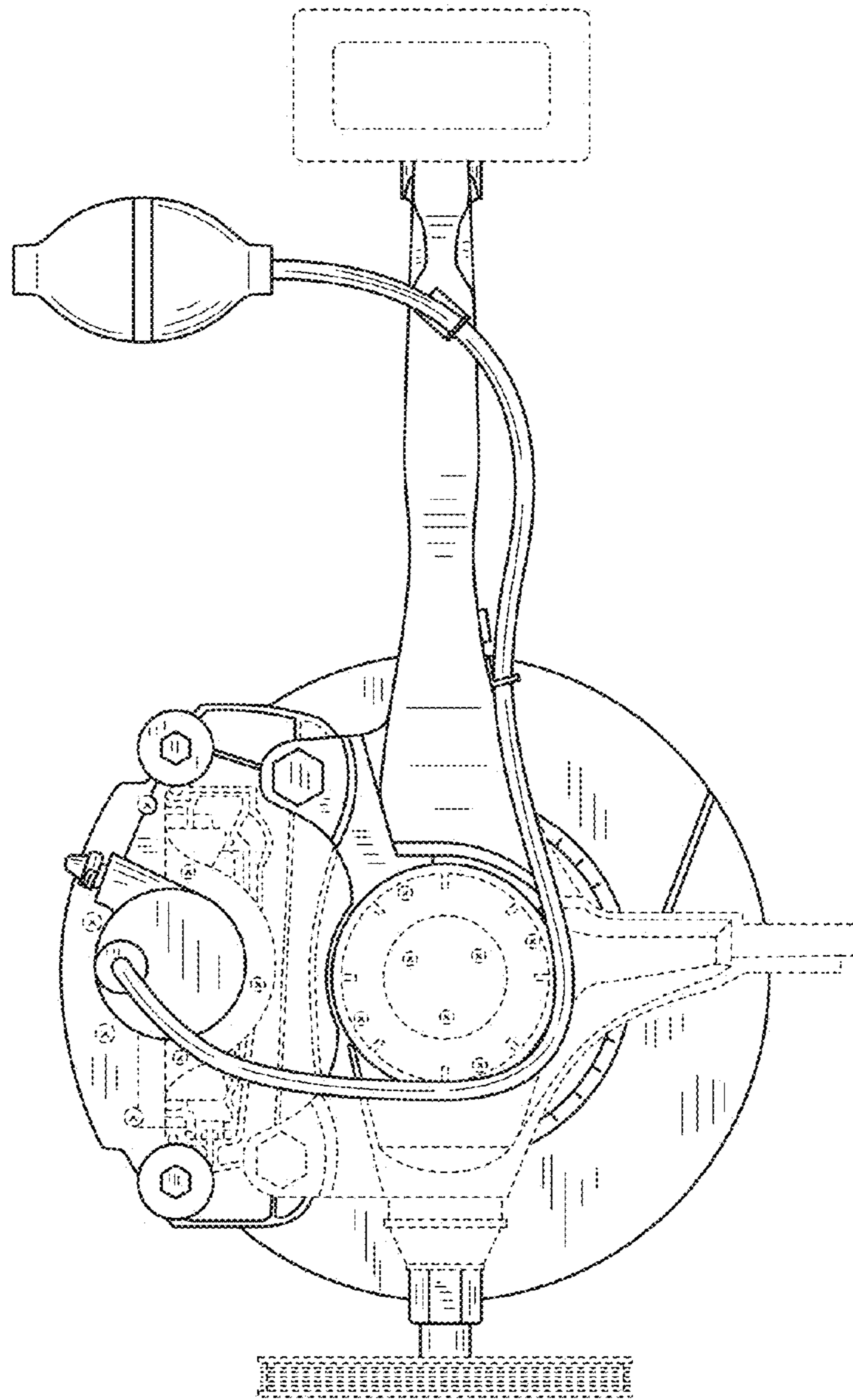


FIG.3

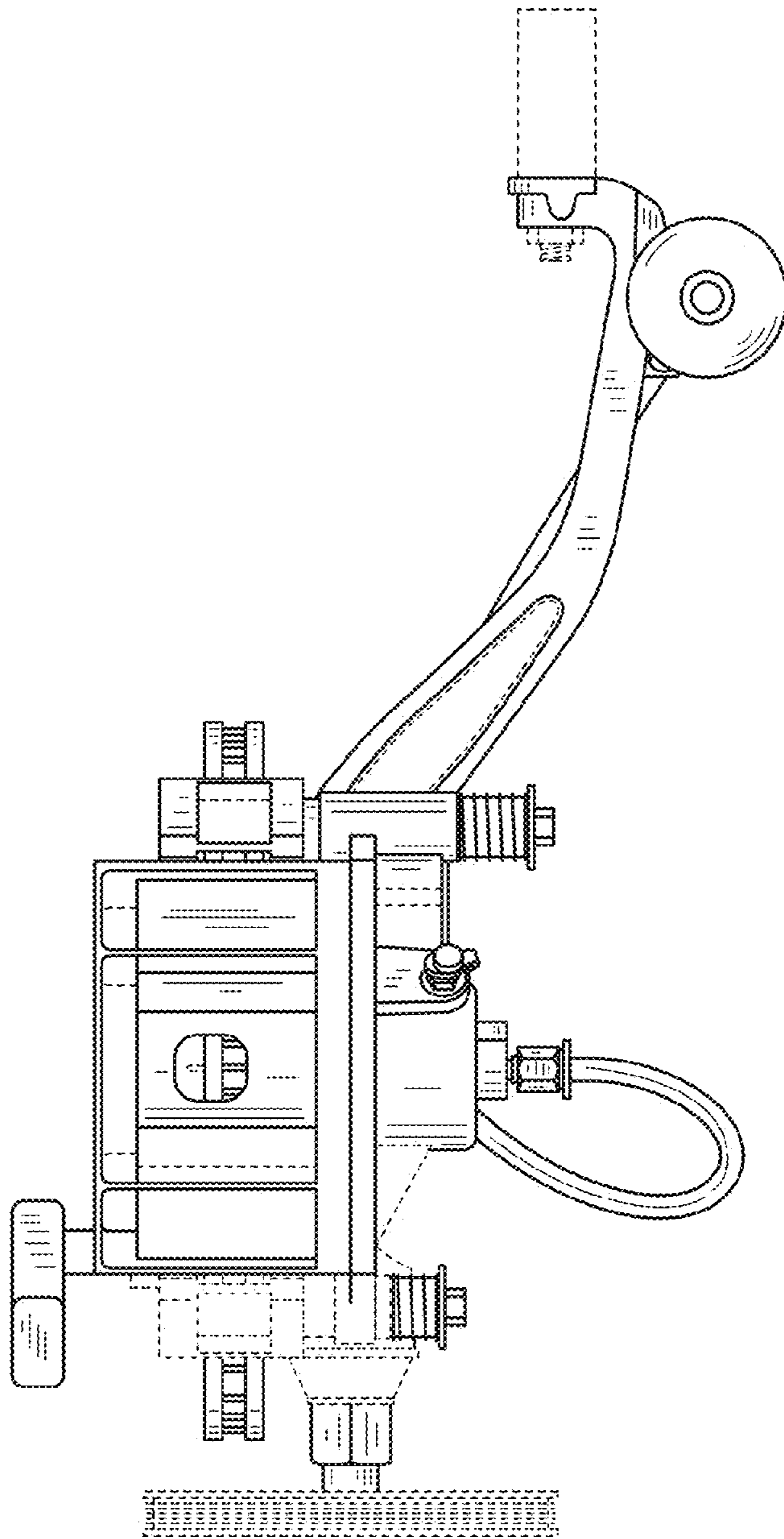


FIG.4

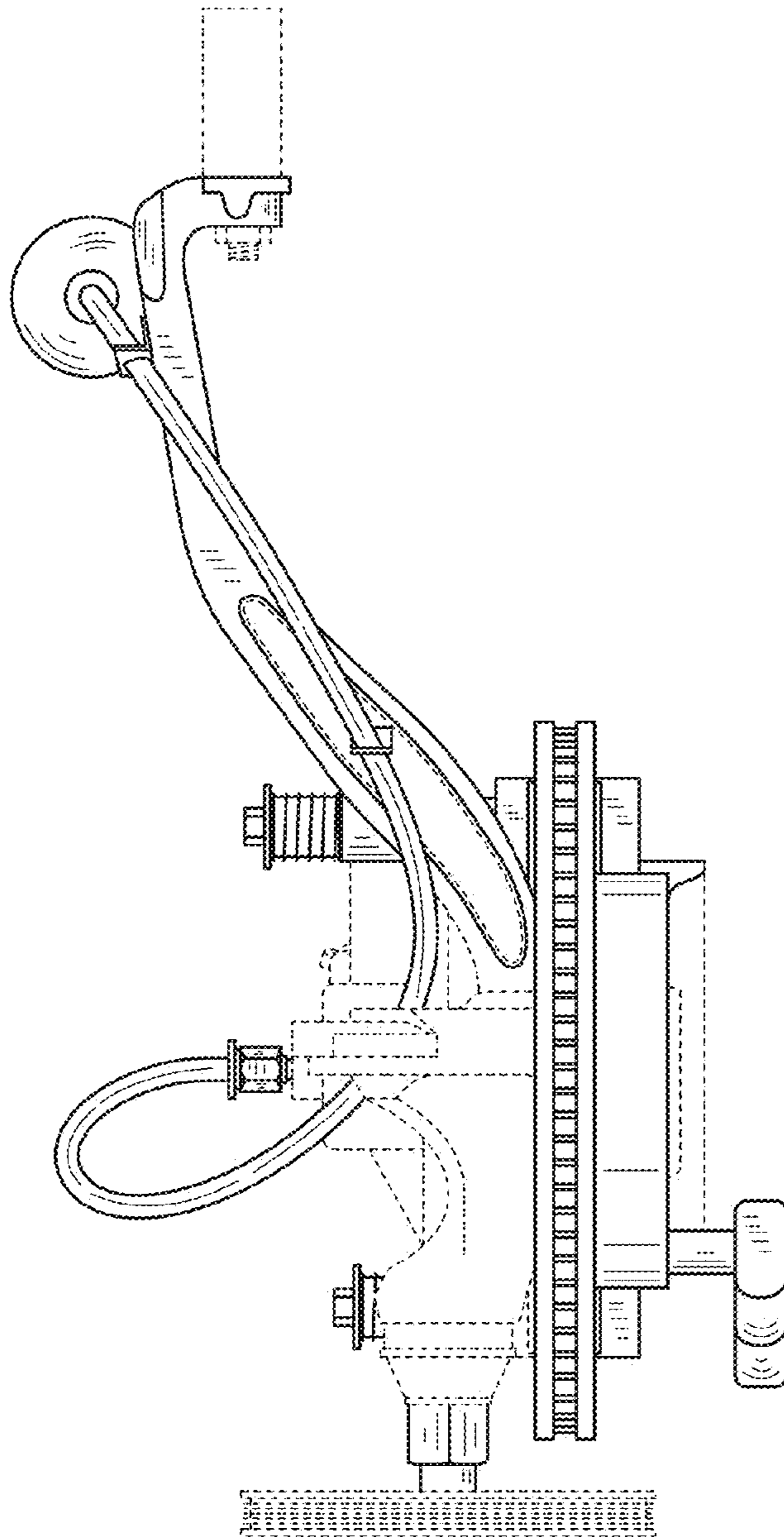


FIG.5

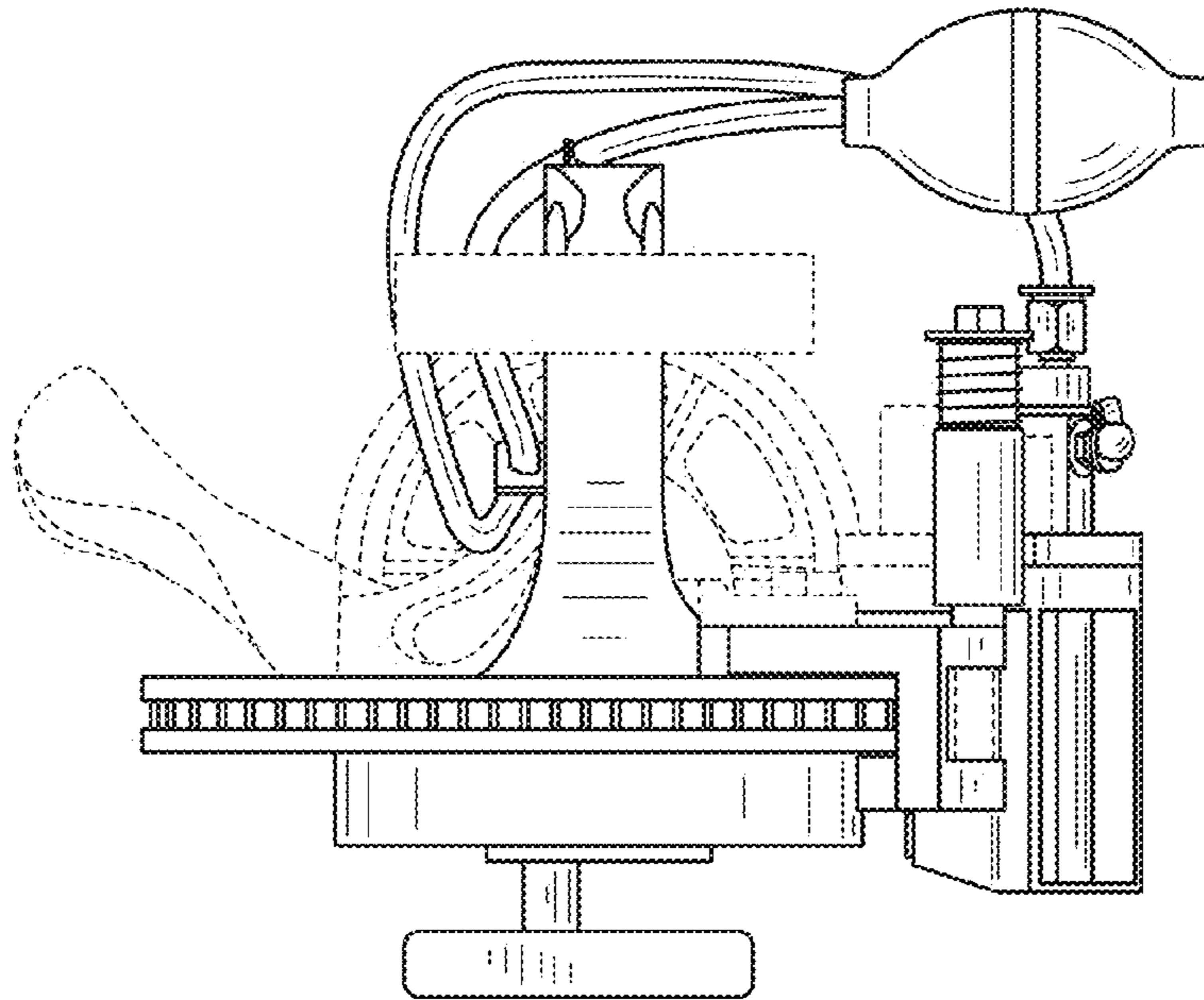


FIG. 6

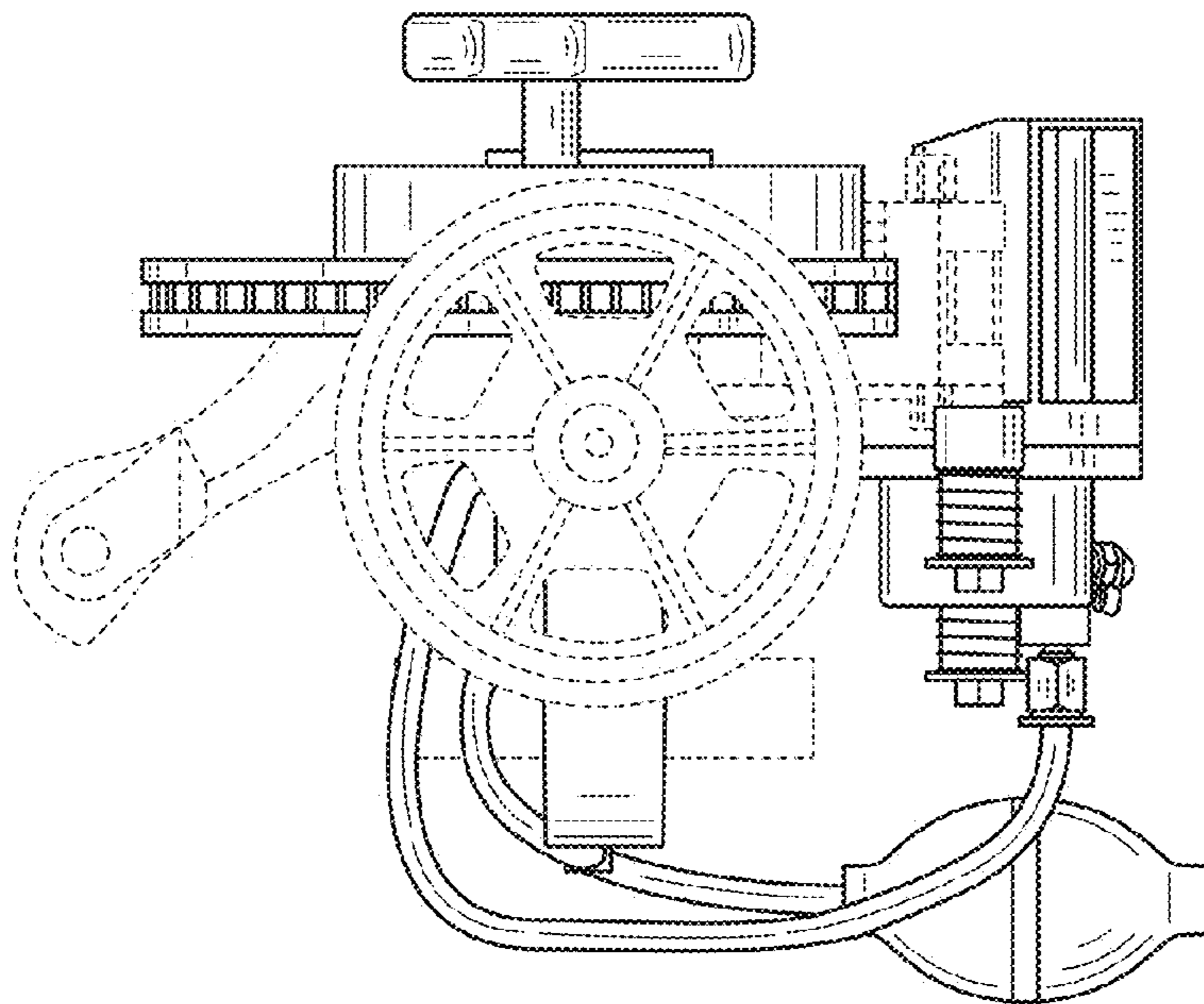


FIG. 7