



US00D727416S

(12) **United States Design Patent**
Kurita et al.

(10) **Patent No.:** **US D727,416 S**

(45) **Date of Patent:** **** Apr. 21, 2015**

(54) **PRINTER**

(71) Applicants: **Masahiro Kurita**, Ohta-ku (JP);
Makoto Kurata, Minato-ku (JP)

(72) Inventors: **Masahiro Kurita**, Ohta-ku (JP);
Makoto Kurata, Minato-ku (JP)

(73) Assignee: **Ricoh Company, Ltd.**, Tokyo (JP)

(**) Term: **14 Years**

(21) Appl. No.: **29/457,714**

(22) Filed: **Jun. 12, 2013**

(30) **Foreign Application Priority Data**

Dec. 19, 2012 (JP) 2012-030933

(51) **LOC (10) Cl.** **14-02**

(52) **U.S. Cl.**
USPC **D18/55**

(58) **Field of Classification Search**
USPC D18/36-39, 50, 53, 54, 54.1, 55;
D14/420-425, 462-470; 400/613,
400/613.1-613.4, 690.1-690.4, 691-694
See application file for complete search history.

(56) **References Cited**

U.S. PATENT DOCUMENTS

D374,454 S * 10/1996 Naruki et al. D18/36
D433,439 S * 11/2000 Yoshida et al. D18/36

D458,298 S * 6/2002 Katsuyama et al. D18/36
D459,752 S * 7/2002 Shiozaki D18/36
D538,330 S * 3/2007 Hatanaka et al. D18/39
D548,774 S * 8/2007 Ishio et al. D18/39
D557,736 S * 12/2007 Horiguchi et al. D18/39
D558,818 S * 1/2008 Yonekawa et al. D18/39
D559,892 S * 1/2008 Horiguchi et al. D18/39
D664,191 S * 7/2012 Saito et al. D18/39

* cited by examiner

Primary Examiner — Cathy A MacCormac

(74) *Attorney, Agent, or Firm* — Oblon, McClelland, Maier & Neustadt, L.L.P.

(57) **CLAIM**

The ornamental design for a printer, as shown and described.

DESCRIPTION

FIG. 1 is a front elevational view of a printer;
FIG. 2 is a rear elevational view thereof;
FIG. 3 is a left side elevational view thereof;
FIG. 4 is a right side elevational view thereof;
FIG. 5 is a top plan view thereof;
FIG. 6 is a bottom plan view thereof;
FIG. 7 is a front, top, and left side perspective view thereof;
and,
FIG. 8 is a front, top, and right side perspective view thereof.
The broken lines in the drawings depict environmental subject matter only and form no part of the claimed design.

1 Claim, 4 Drawing Sheets

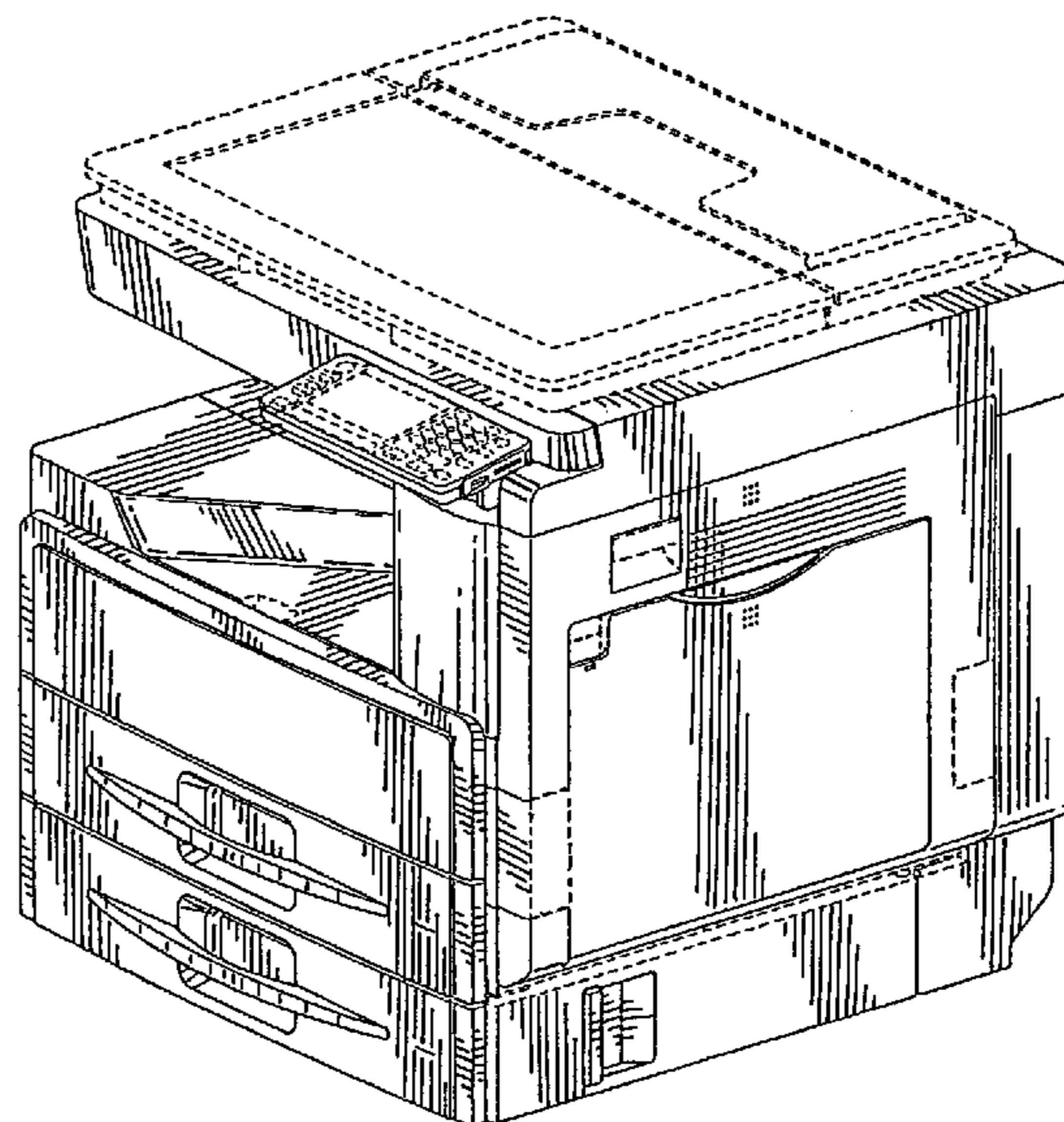
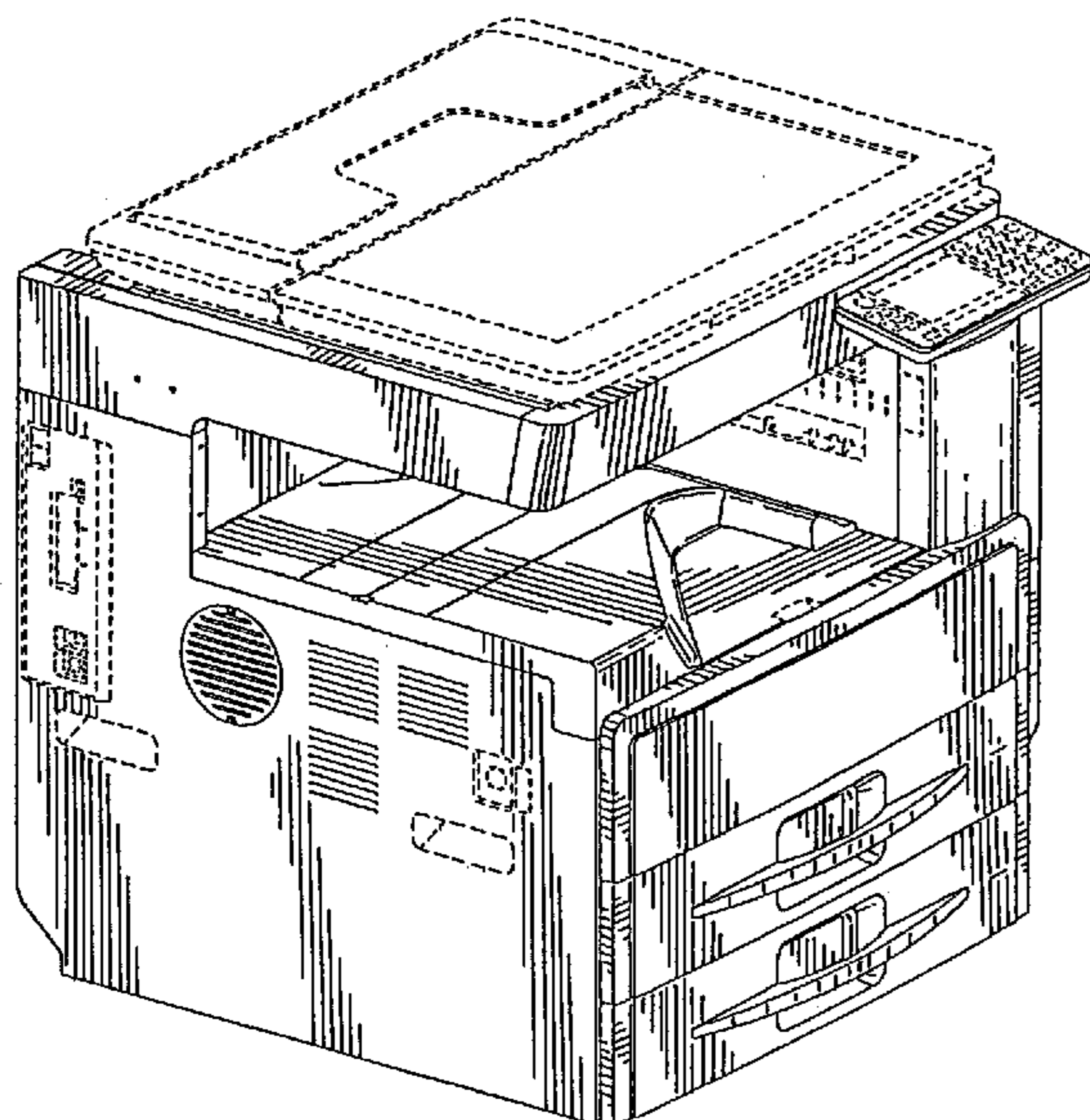


FIG.1

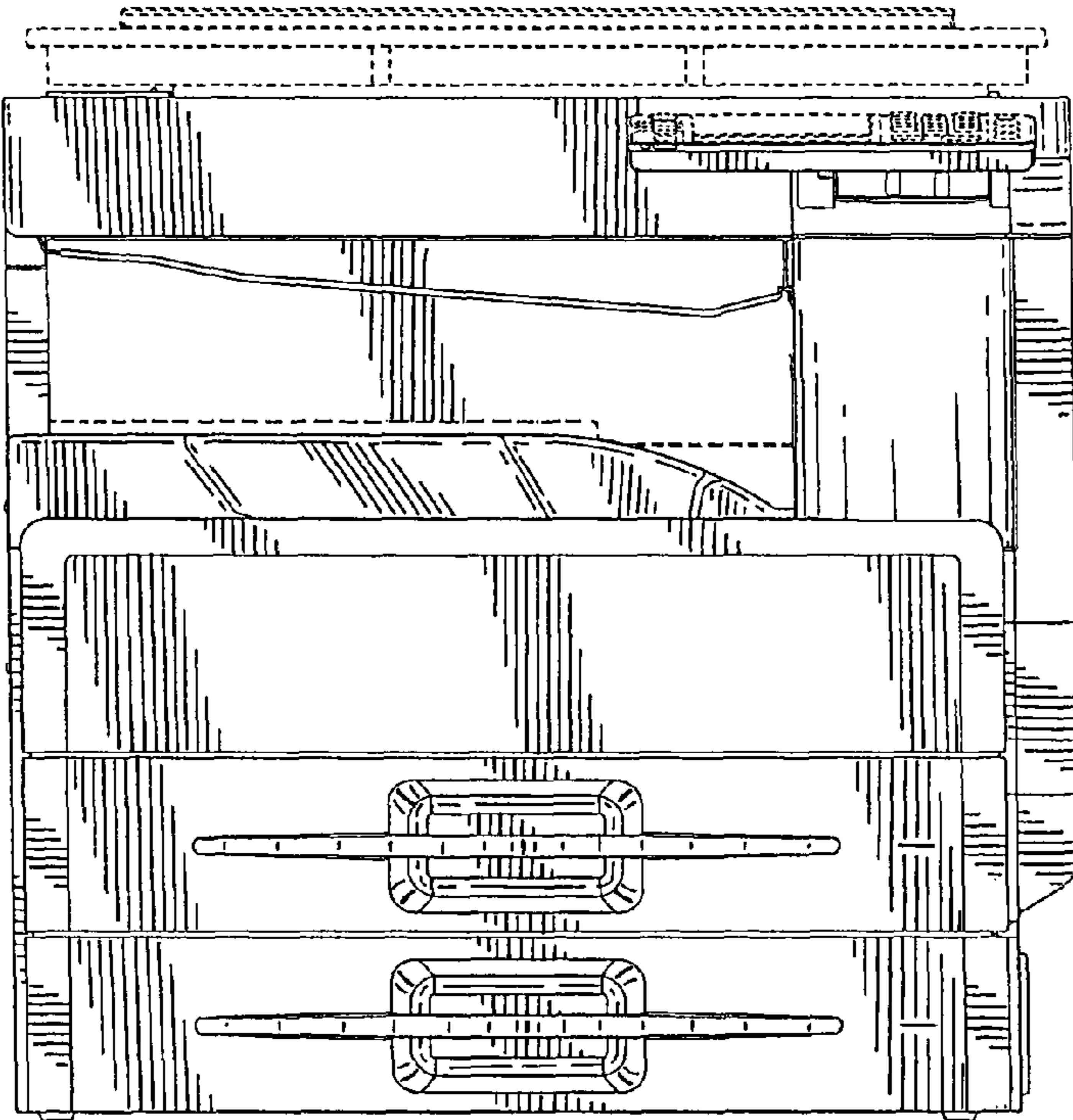


FIG.2

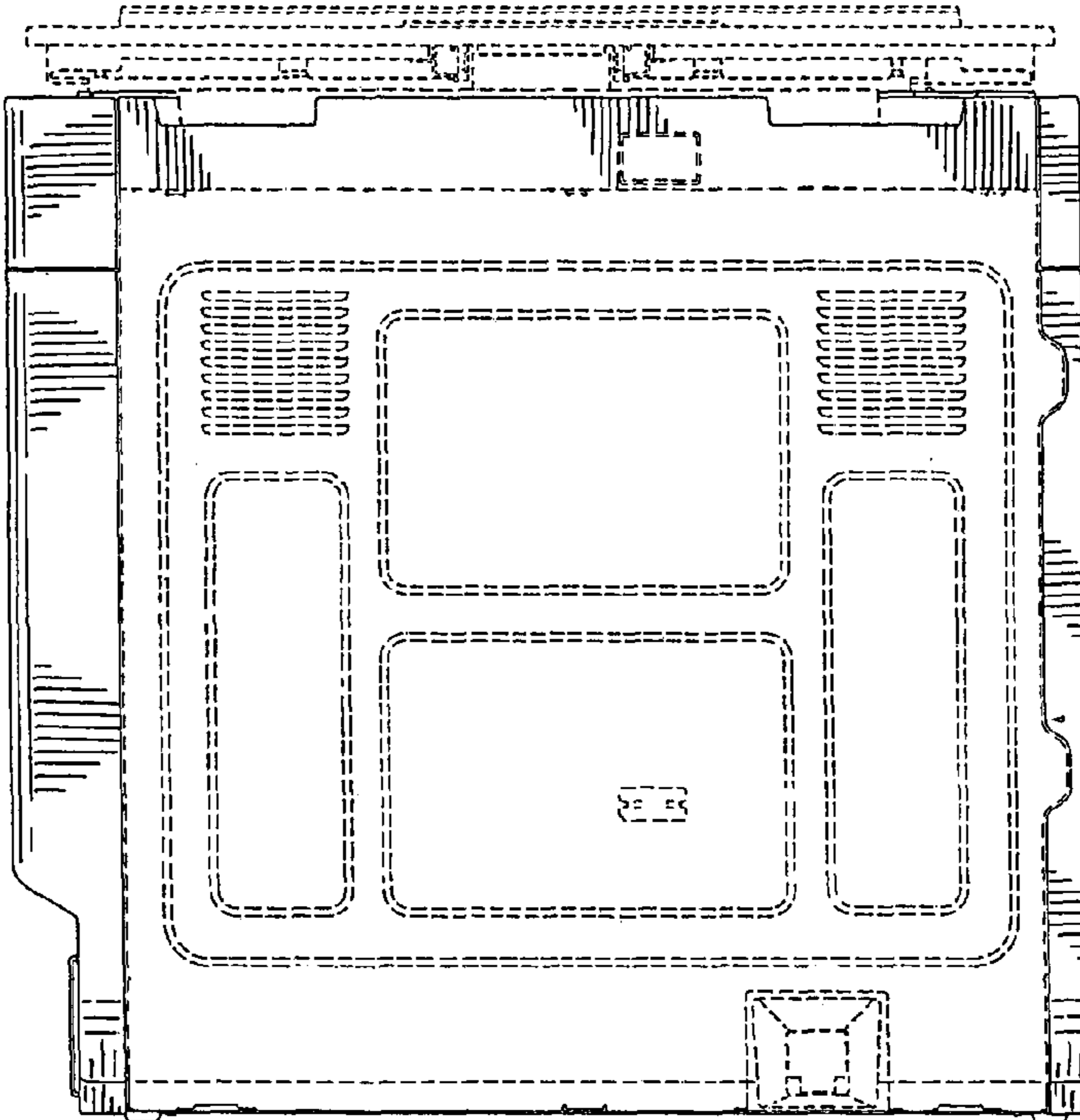


FIG.3

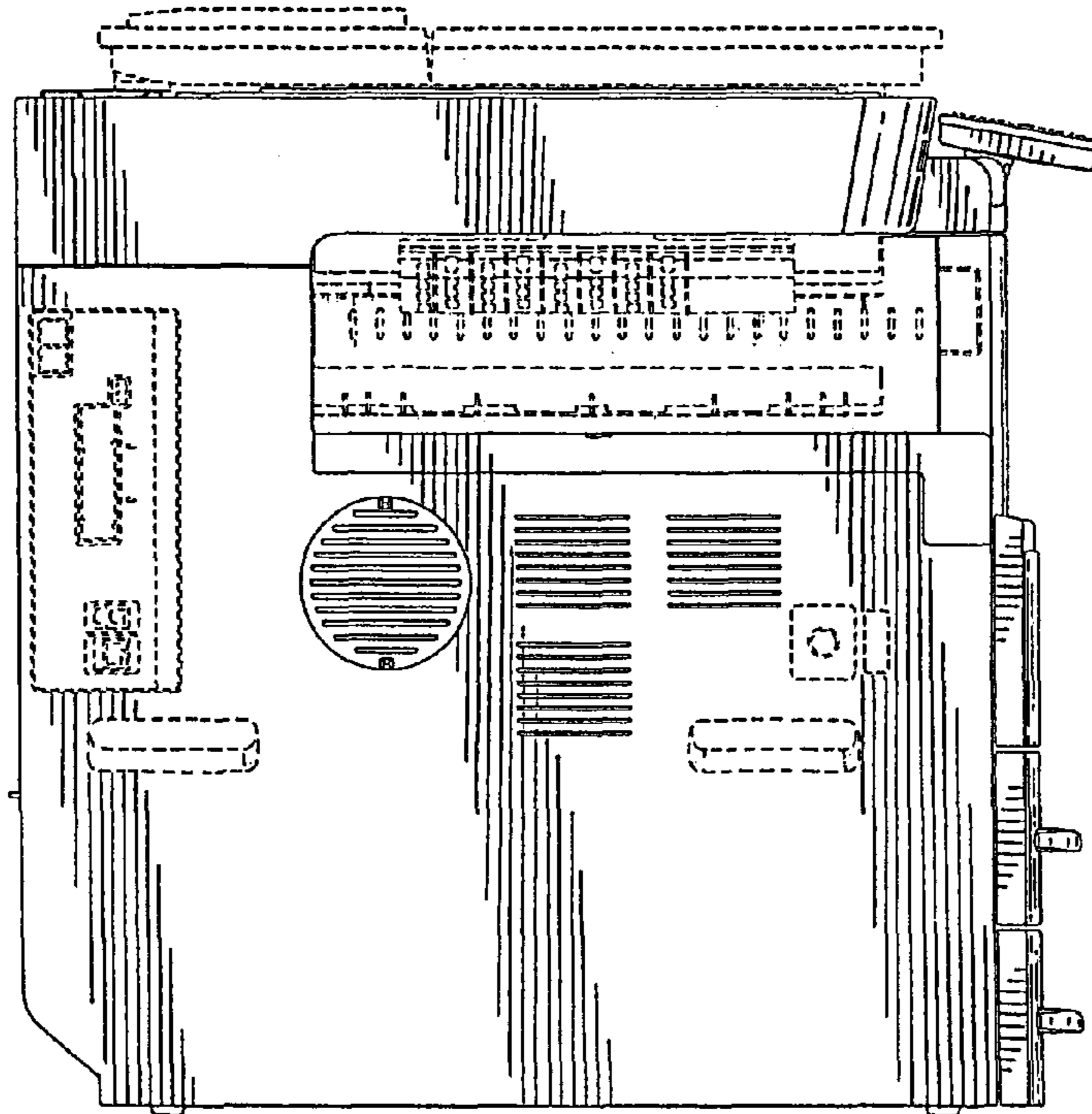


FIG.4

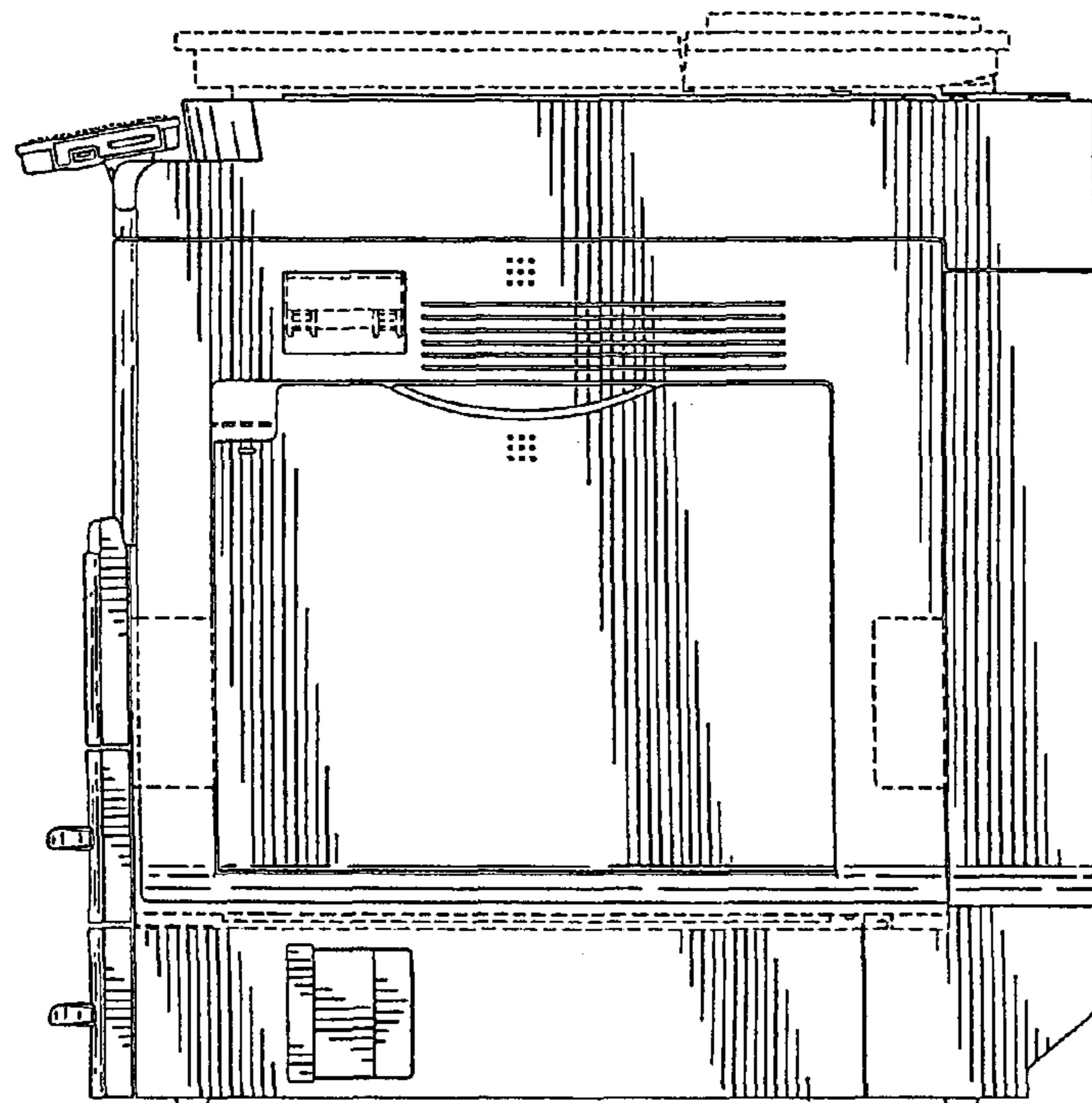


FIG.5

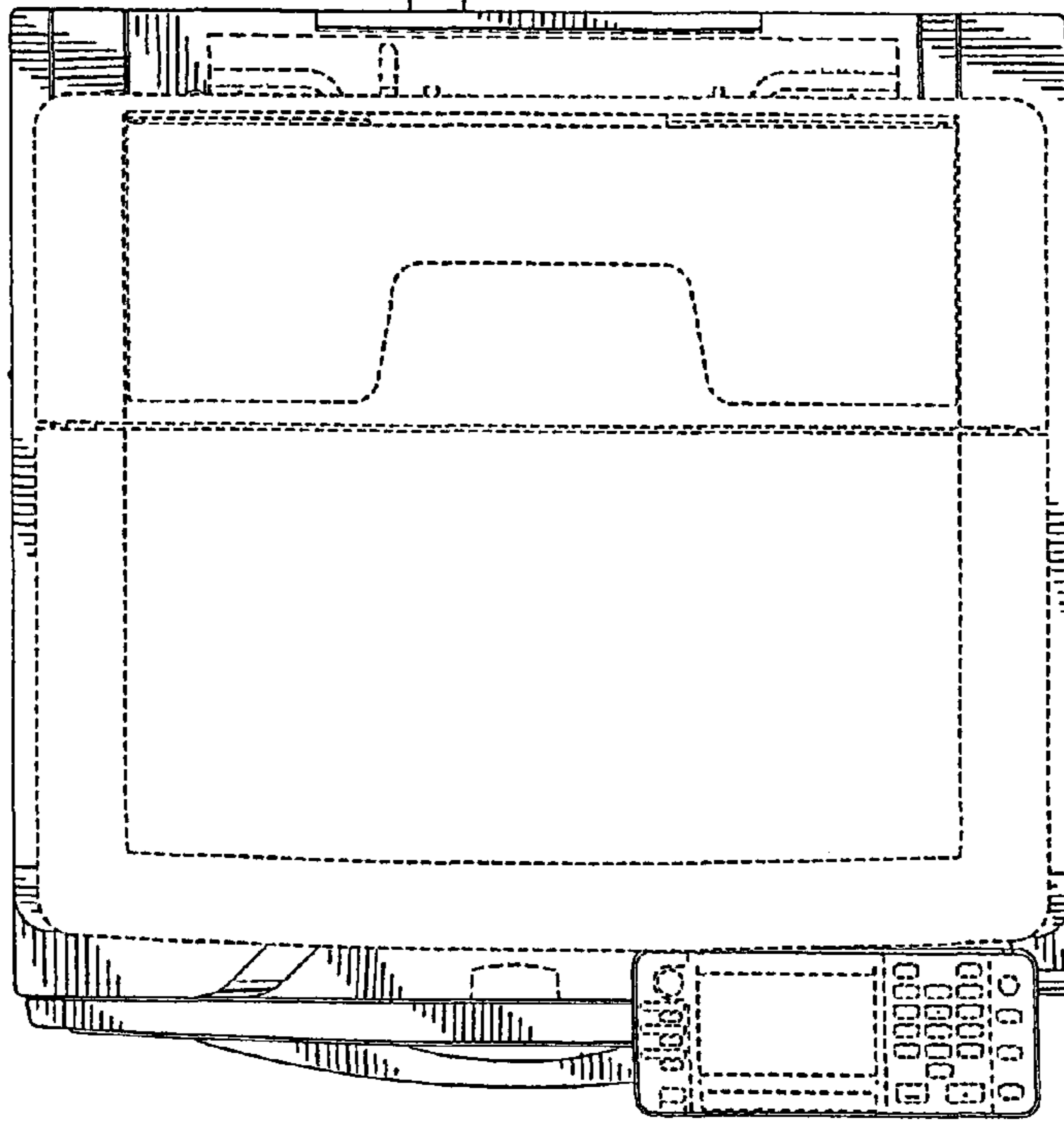


FIG.6

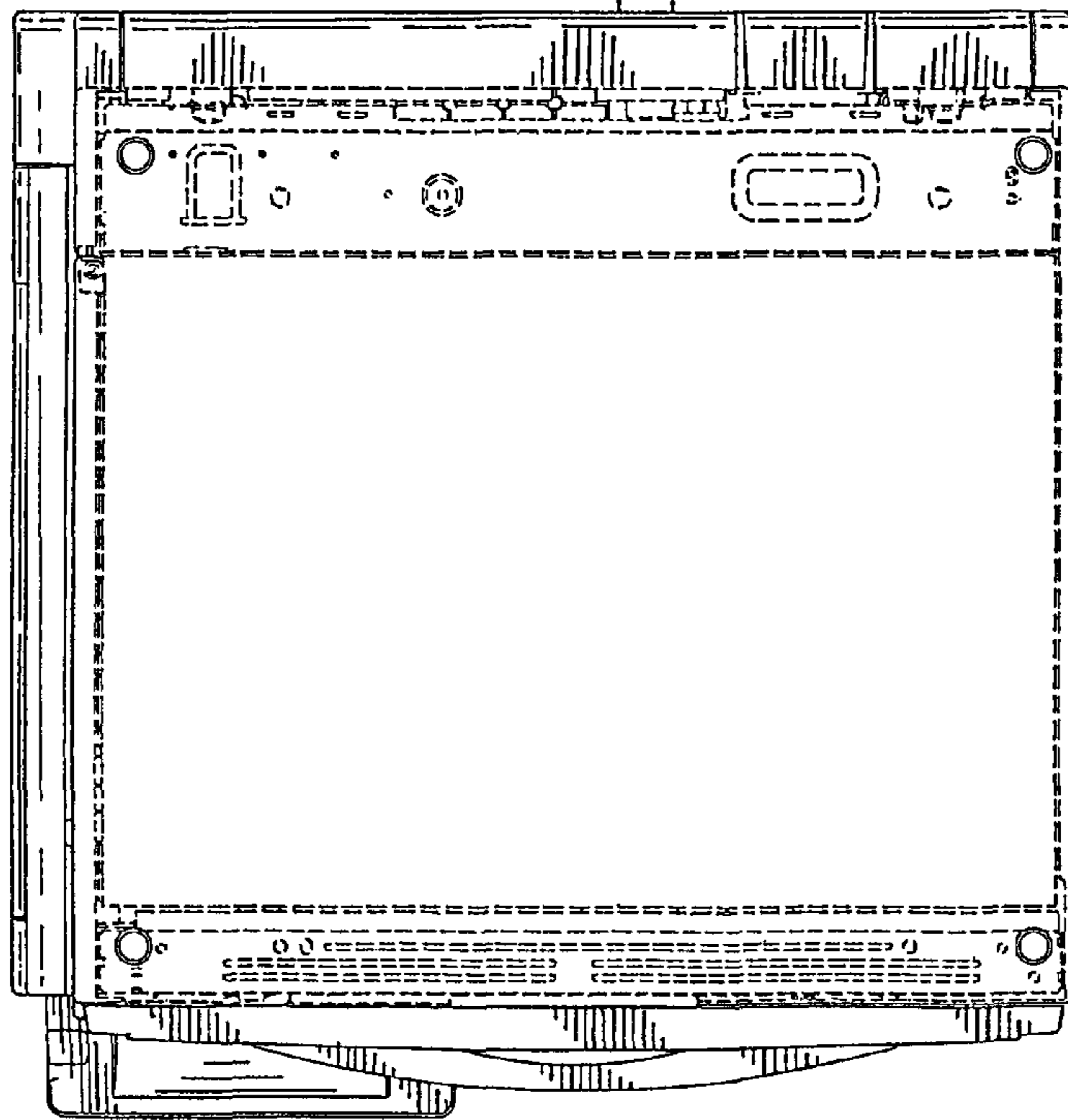


FIG.7

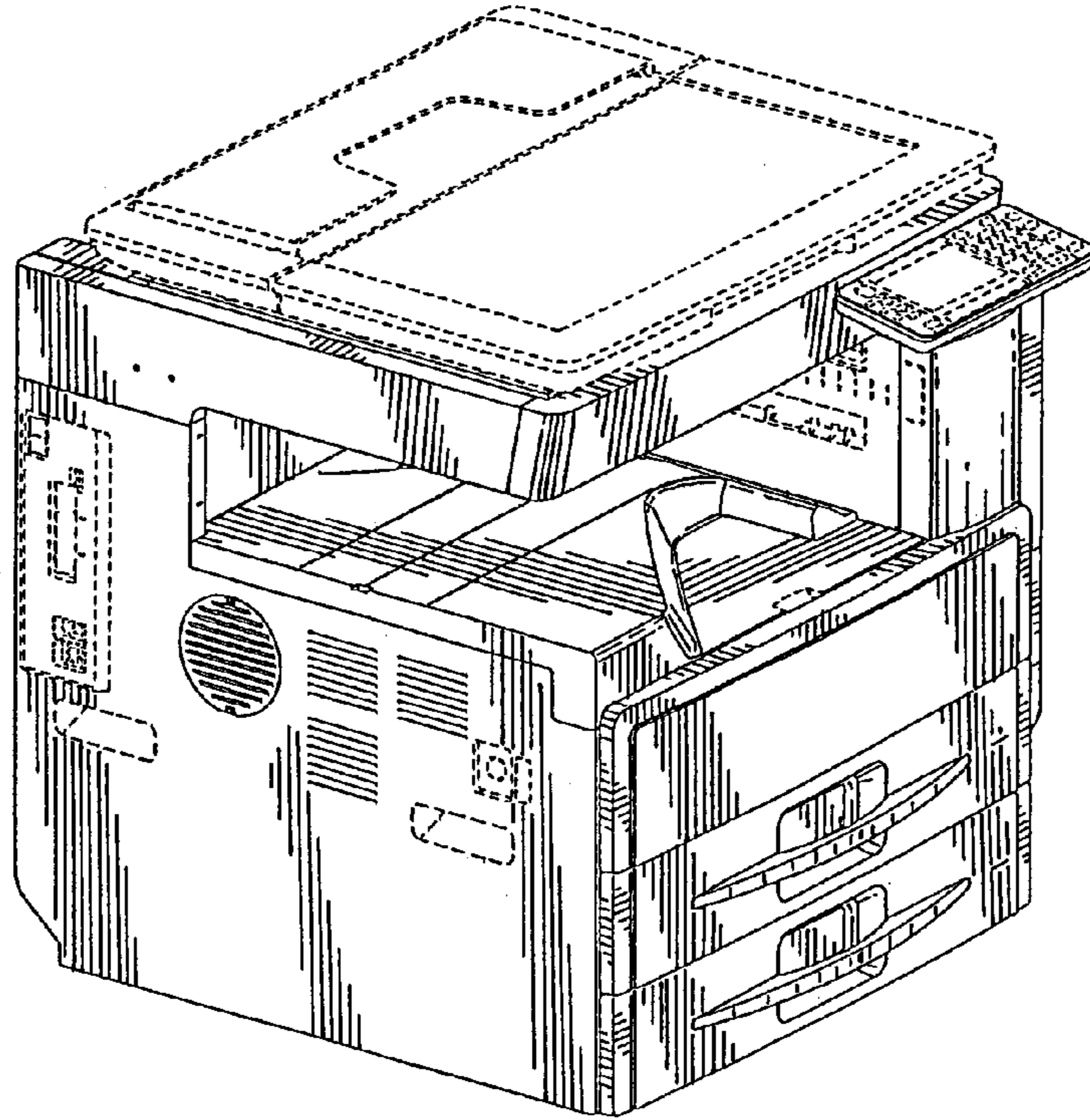


FIG.8

