



US00D727415S

(12) **United States Design Patent**
Takeda

(10) **Patent No.:** **US D727,415 S**

(45) **Date of Patent:** **** Apr. 21, 2015**

(54) **PRINTER**

(71) Applicant: **Shuuichi Takeda**, Ohta-ku (JP)

(72) Inventor: **Shuuichi Takeda**, Ohta-ku (JP)

(73) Assignee: **Ricoh Company, Ltd.**, Tokyo (JP)

(**) Term: **14 Years**

(21) Appl. No.: **29/465,601**

(22) Filed: **Aug. 29, 2013**

(30) **Foreign Application Priority Data**

Mar. 6, 2013 (JP) 2013-004852

(51) **LOC (10) Cl.** **18-02**

(52) **U.S. Cl.**
USPC **D18/53**

(58) **Field of Classification Search**
CPC ... G06K 15/12; G06K 15/14; H04N 1/00204;
H04N 1/00249; H04N 1/00278
USPC D18/53, 56, 59, 36, 38, 39, 40, 41, 45;
D14/301, 307; 399/16, 75, 81, 131,
399/151, 361, 365, 367, 381-385, 388
See application file for complete search history.

(56) **References Cited**

U.S. PATENT DOCUMENTS

D502,210 S * 2/2005 Katori et al. D18/39
6,865,353 B2 * 3/2005 Fujita et al. 399/81

D537,109 S * 2/2007 Mizusugi et al. D18/39
D537,866 S * 3/2007 Matsuda et al. D18/39
D549,770 S * 8/2007 Clark, III D18/39
D577,763 S * 9/2008 Hidaka et al. D18/39
D580,483 S * 11/2008 Park et al. D18/39
D626,588 S * 11/2010 Kim et al. D18/39
D665,012 S * 8/2012 Saito et al. D18/39
D685,414 S * 7/2013 Jeong et al. D18/53
D692,477 S * 10/2013 Kim et al. D18/53
D695,339 S * 12/2013 Fukasawa et al. D18/55
2003/0228168 A1 * 12/2003 Okuda 399/81

* cited by examiner

Primary Examiner — Bridget L Eland

(74) *Attorney, Agent, or Firm* — Oblon, McClelland, Maier & Neustadt, L.L.P.

(57) **CLAIM**

The ornamental design for a printer, as shown and described.

DESCRIPTION

FIG. 1 is a front elevational view of a printer;
FIG. 2 is a rear elevational view thereof;
FIG. 3 is a left side elevational view thereof;
FIG. 4 is a right side elevational view thereof;
FIG. 5 is a top plan view thereof;
FIG. 6 is a bottom plan view thereof;
FIG. 7 is a front, top, and right side perspective view thereof;
and,
FIG. 8 is a front, top, and left side perspective view thereof.
The broken lines in the drawings depict environmental subject matter only and form no part of the claimed design.

1 Claim, 8 Drawing Sheets

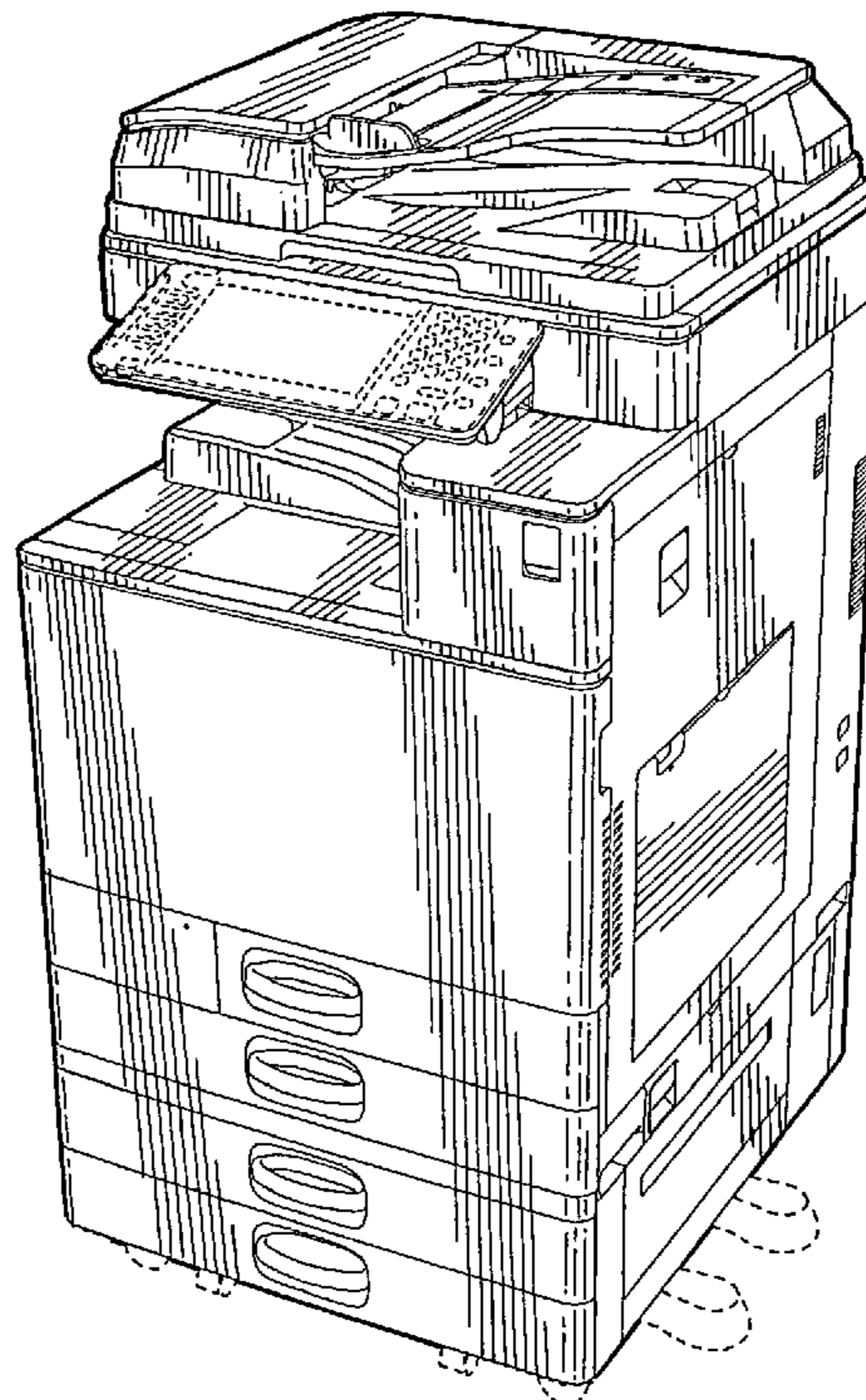
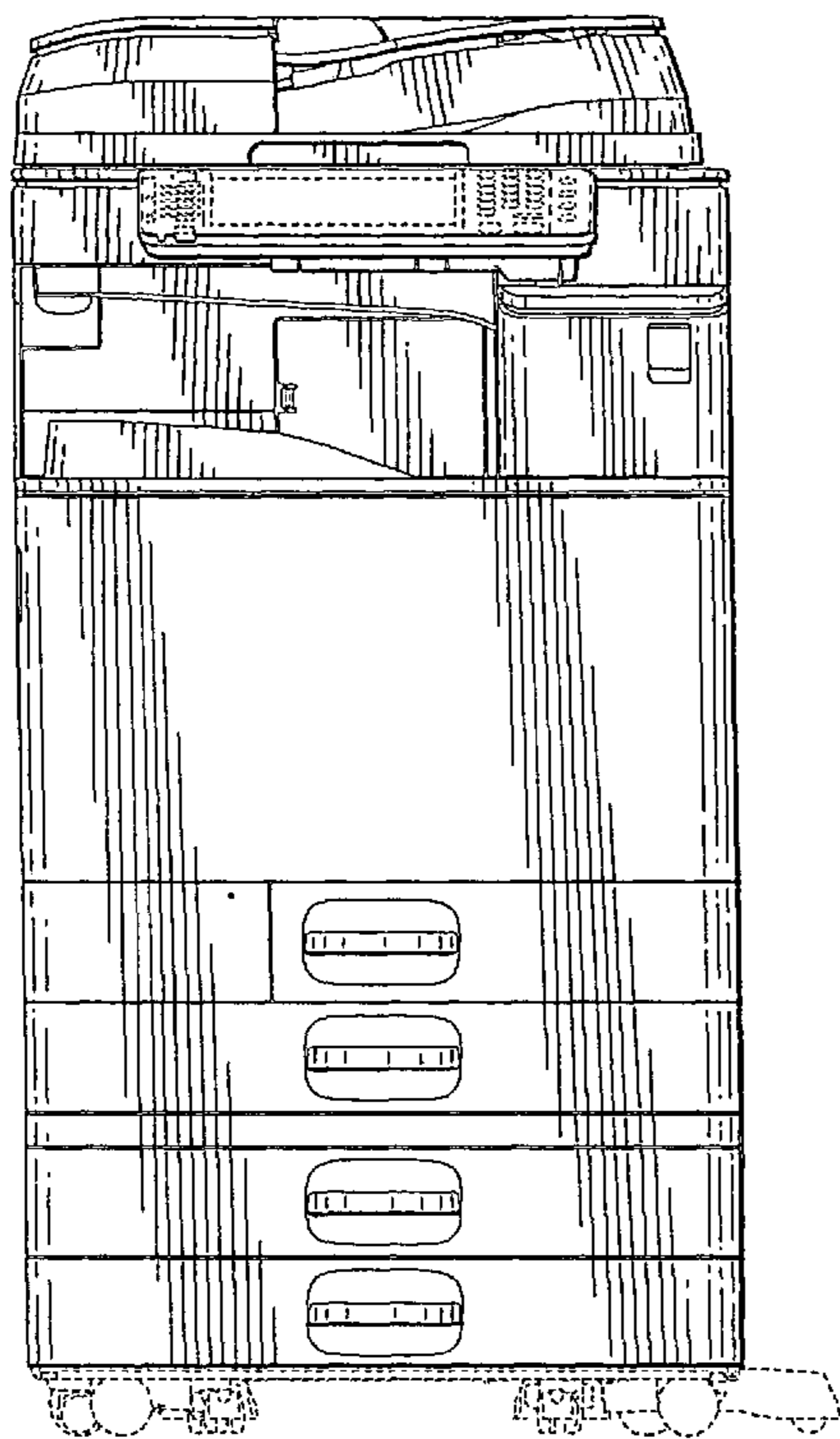


FIG. 1

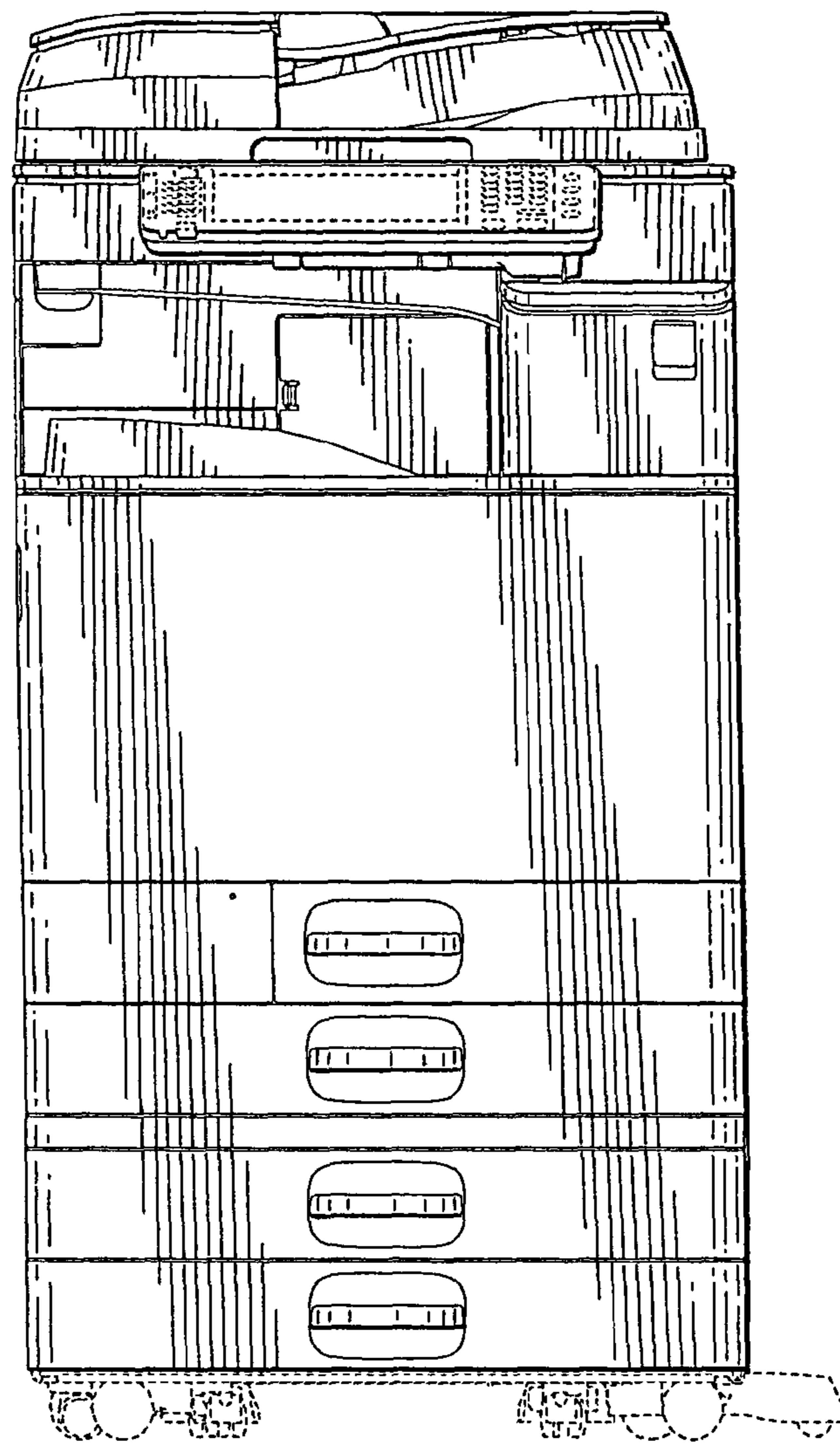


FIG.2

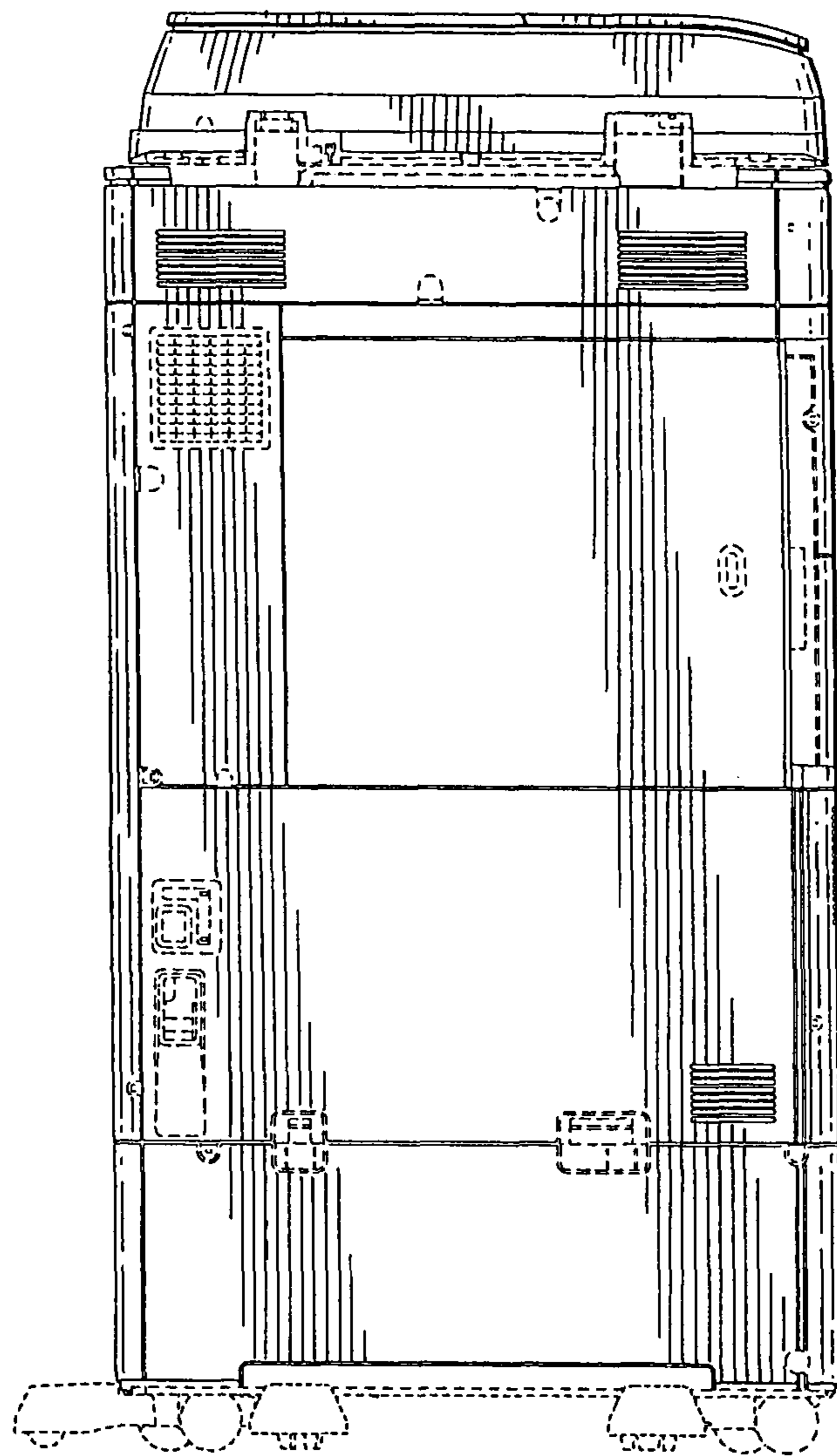


FIG.3

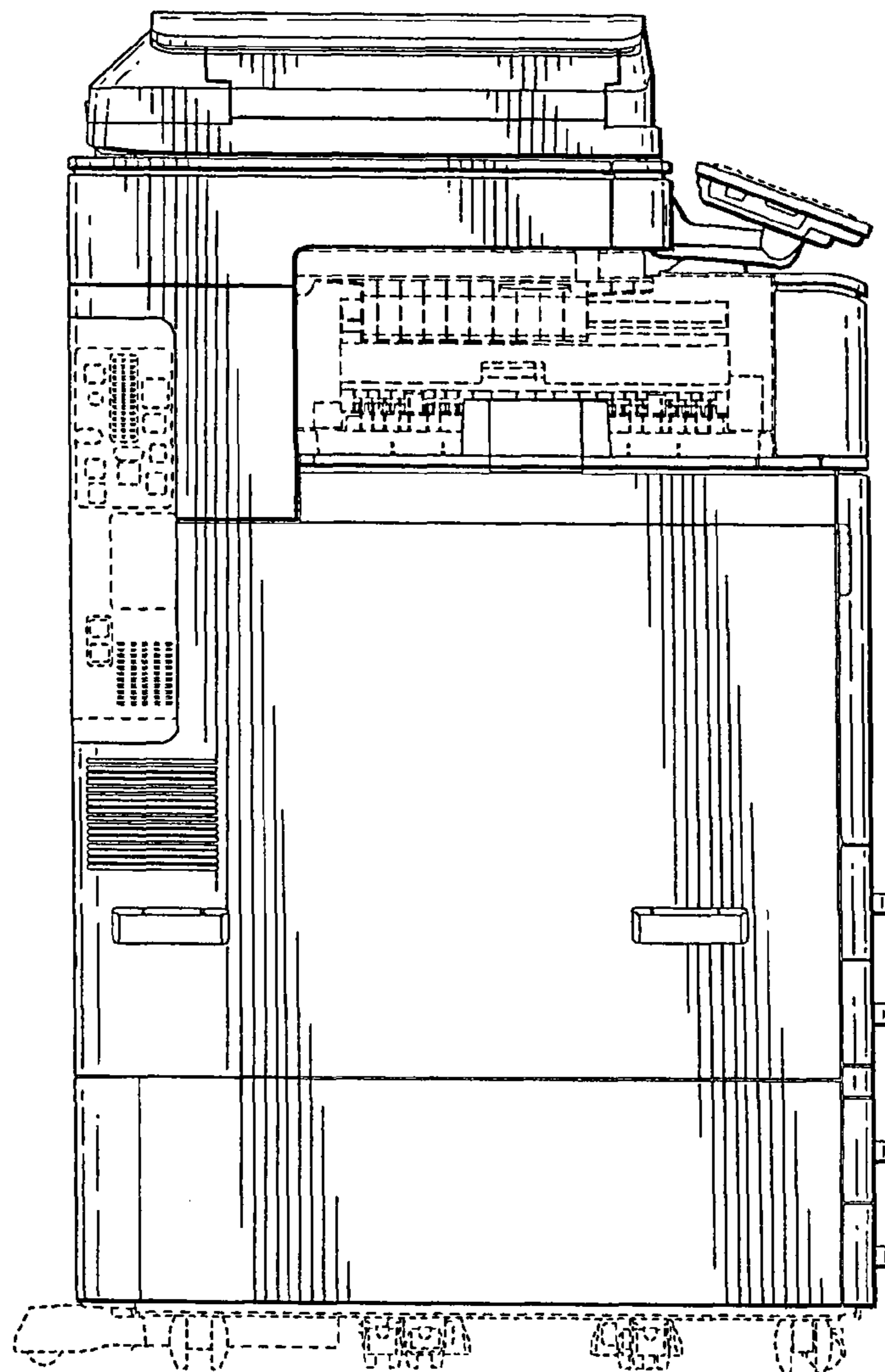


FIG. 4

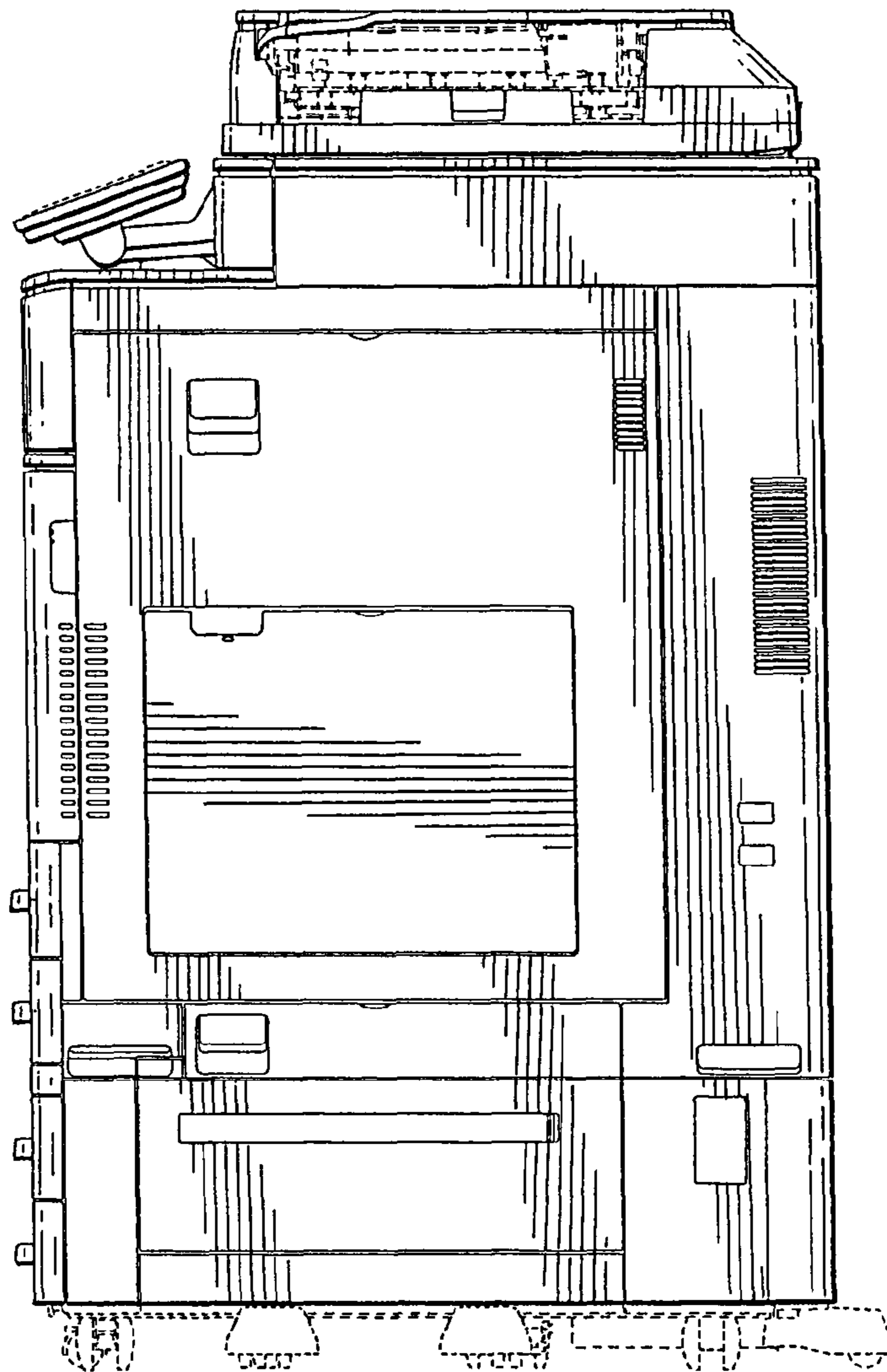


FIG. 5

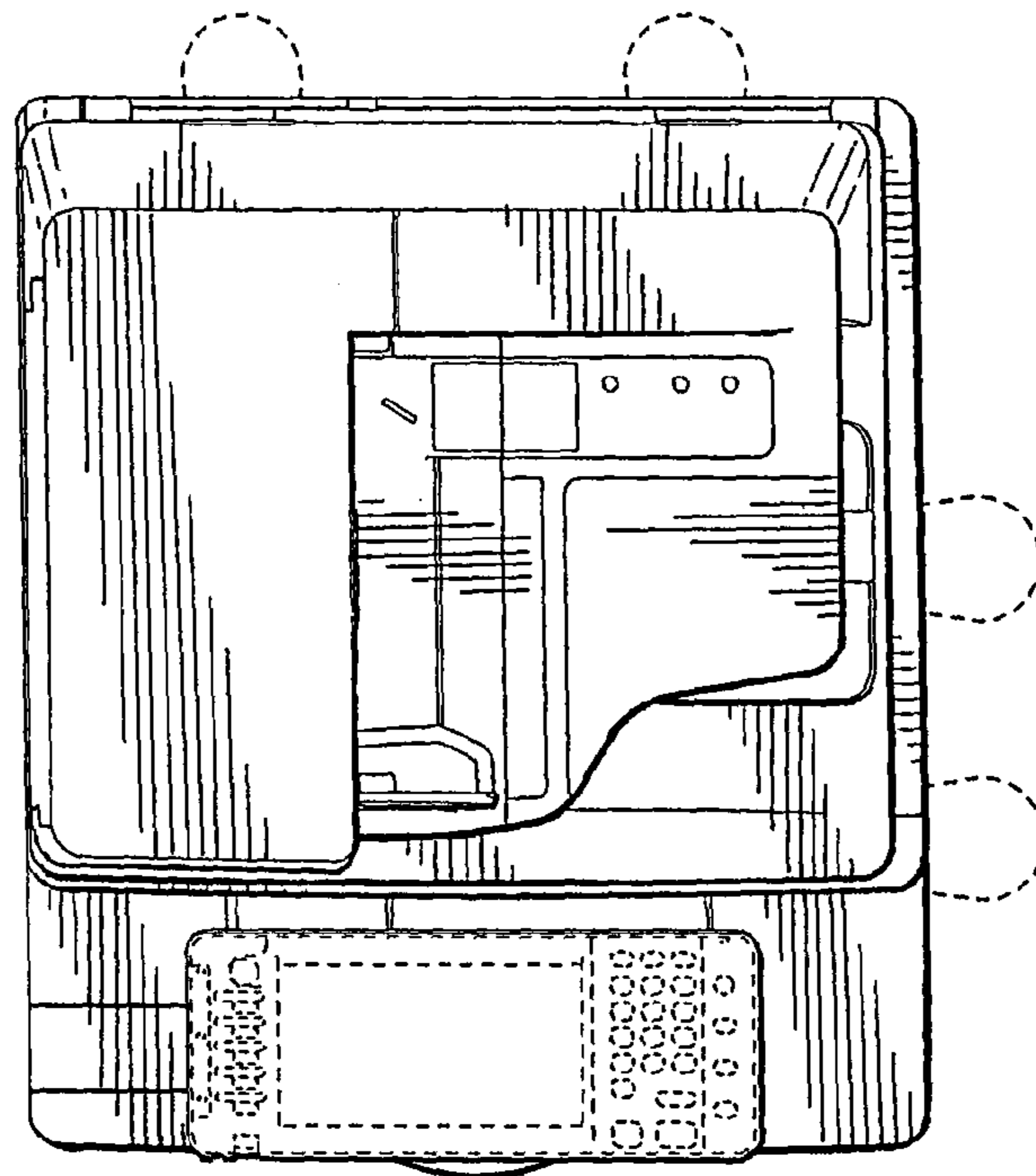


FIG.6

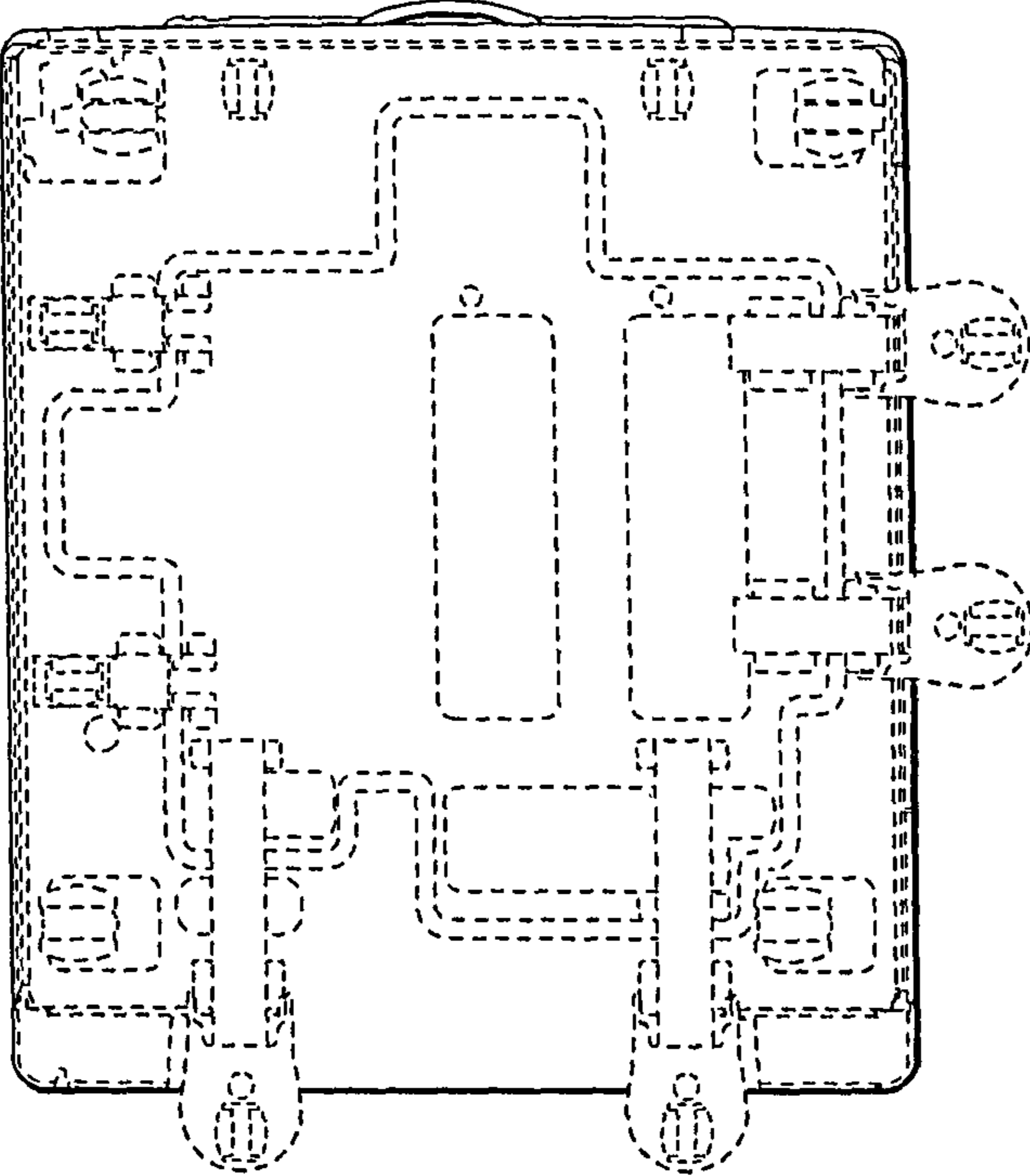


FIG. 7

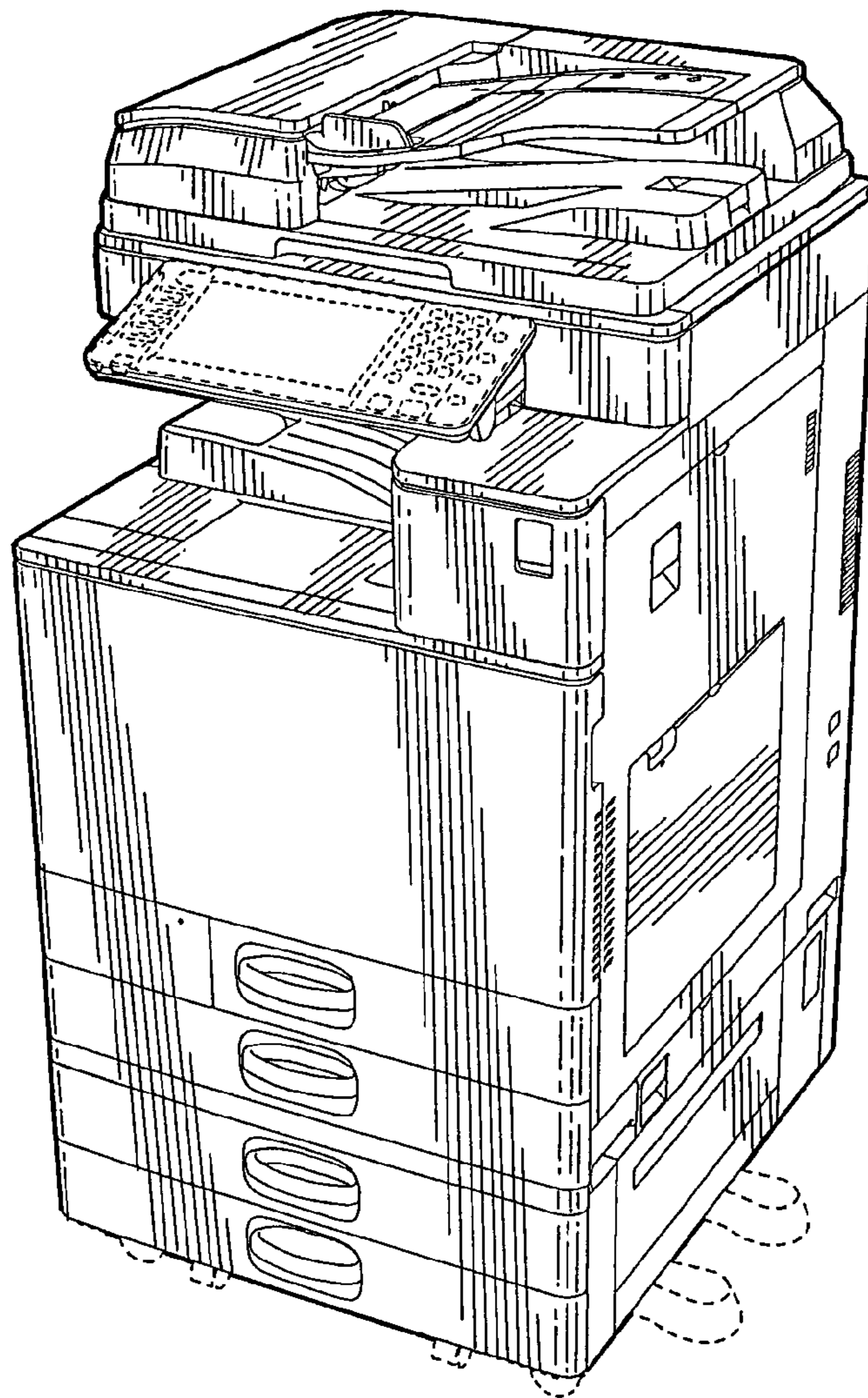


FIG.8

