



US00D727411S

(12) **United States Design Patent**
Moon et al.

(10) **Patent No.:** **US D727,411 S**

(45) **Date of Patent:** **** Apr. 21, 2015**

(54) **TONER CARTRIDGE FOR PRINTER**

(56) **References Cited**

(71) Applicant: **Samsung Electronics Co., Ltd.**,
Suwon-si, Gyeonggi-do (KR)

U.S. PATENT DOCUMENTS

(72) Inventors: **Ji-Won Moon**, Anyang (KR);
Seung-Chan Park, Hwaseong (KR);
Dong-Cheol Ahn, Yongin (KR)

| | | | | | | |
|----------|---|---|---------|---------------|-------|--------|
| D397,140 | S | * | 8/1998 | Oshida | | D18/40 |
| D531,661 | S | * | 11/2006 | Ishii et al. | | D18/43 |
| D533,215 | S | * | 12/2006 | Ishii et al. | | D18/43 |
| D539,335 | S | * | 3/2007 | Jeon et al. | | D18/43 |
| D577,061 | S | * | 9/2008 | Kim | | D18/43 |
| D622,309 | S | * | 8/2010 | Kubota et al. | | D18/43 |
| D652,072 | S | * | 1/2012 | Han | | D18/43 |
| D652,862 | S | * | 1/2012 | Mori et al. | | D18/43 |

(73) Assignee: **Samsung Electronics Co., Ltd.** (KR)

* cited by examiner

(**) Term: **14 Years**

Primary Examiner — Barbara Fox

Assistant Examiner — Chelsea Sealey

(21) Appl. No.: **29/468,400**

(74) *Attorney, Agent, or Firm* — Cantor Colburn LLP

(22) Filed: **Sep. 30, 2013**

(57) **CLAIM**

The ornamental design for a toner cartridge for printer, as shown and described.

(30) **Foreign Application Priority Data**

DESCRIPTION

Apr. 1, 2013 (KR) 30-2013-0016515

(51) **LOC (10) Cl.** **16-03**

FIG. 1 is a top front perspective view of a toner cartridge for printer showing our new design;

(52) **U.S. Cl.**
USPC **D18/43**

FIG. 2 is a front view thereof;

(58) **Field of Classification Search**

CPC G03G 15/0832; G03G 15/5016; G03G 15/50; G03G 2215/0668; B41J 29/393

FIG. 3 is a rear view thereof;

USPC D18/12, 36, 40, 43, 44, 56; D14/471; 347/49, 50, 197, 222; 399/11, 106, 399/119, 120, 230, 258, 262; 222/DIG. 1

FIG. 4 is a left side view thereof;

FIG. 5 is a right side view thereof;

FIG. 6 is a top view thereof; and,

FIG. 7 is a bottom view thereof.

The broken lines indicate portions of the toner cartridge for printer that form no part of the claimed design.

See application file for complete search history.

1 Claim, 5 Drawing Sheets

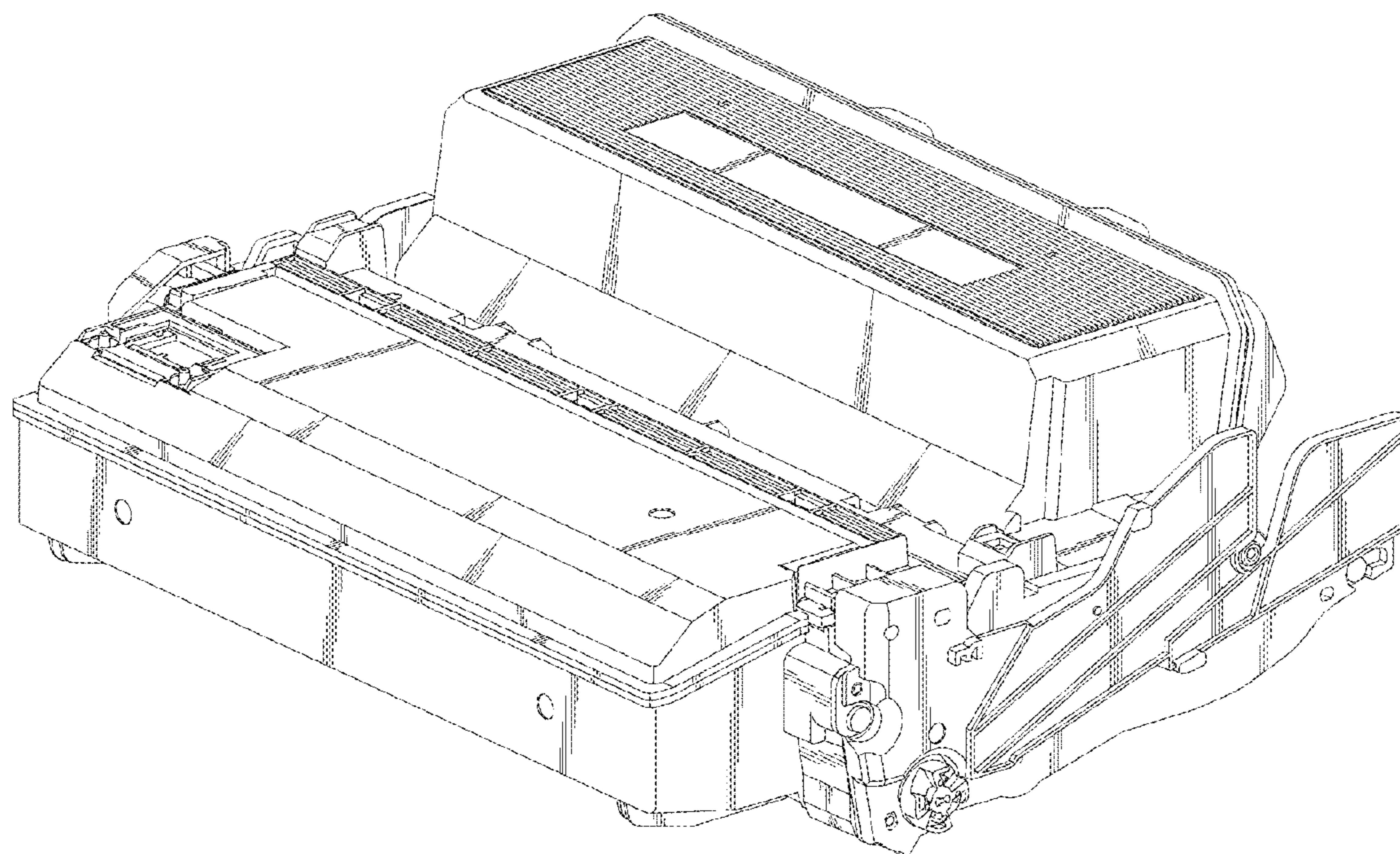


FIG.1

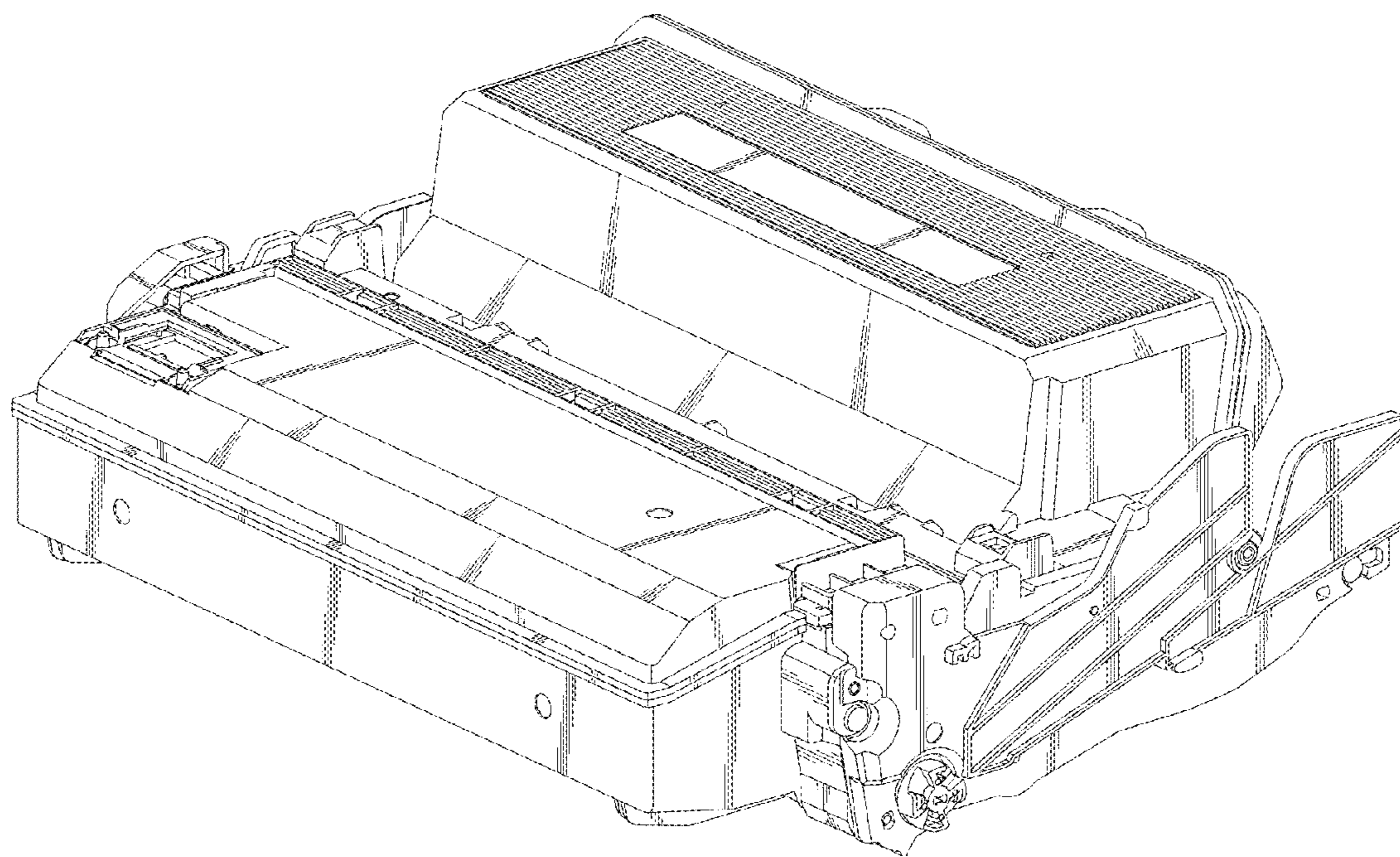


FIG.2

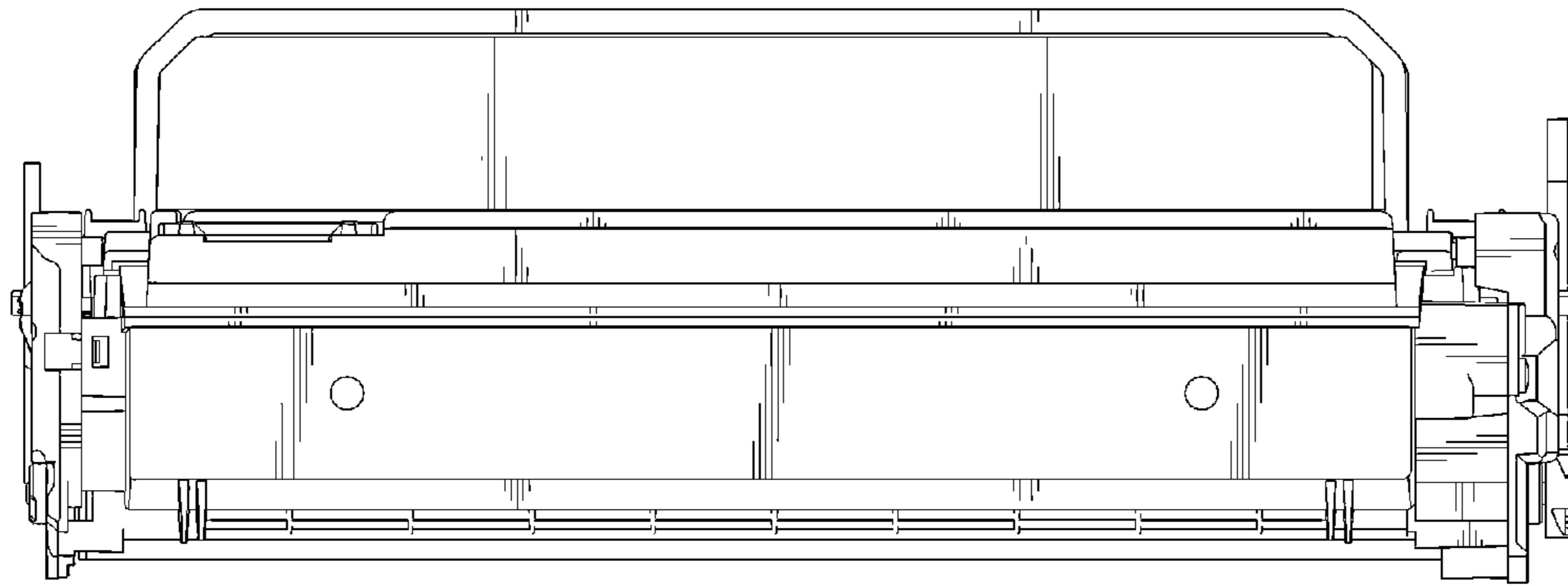


FIG.3

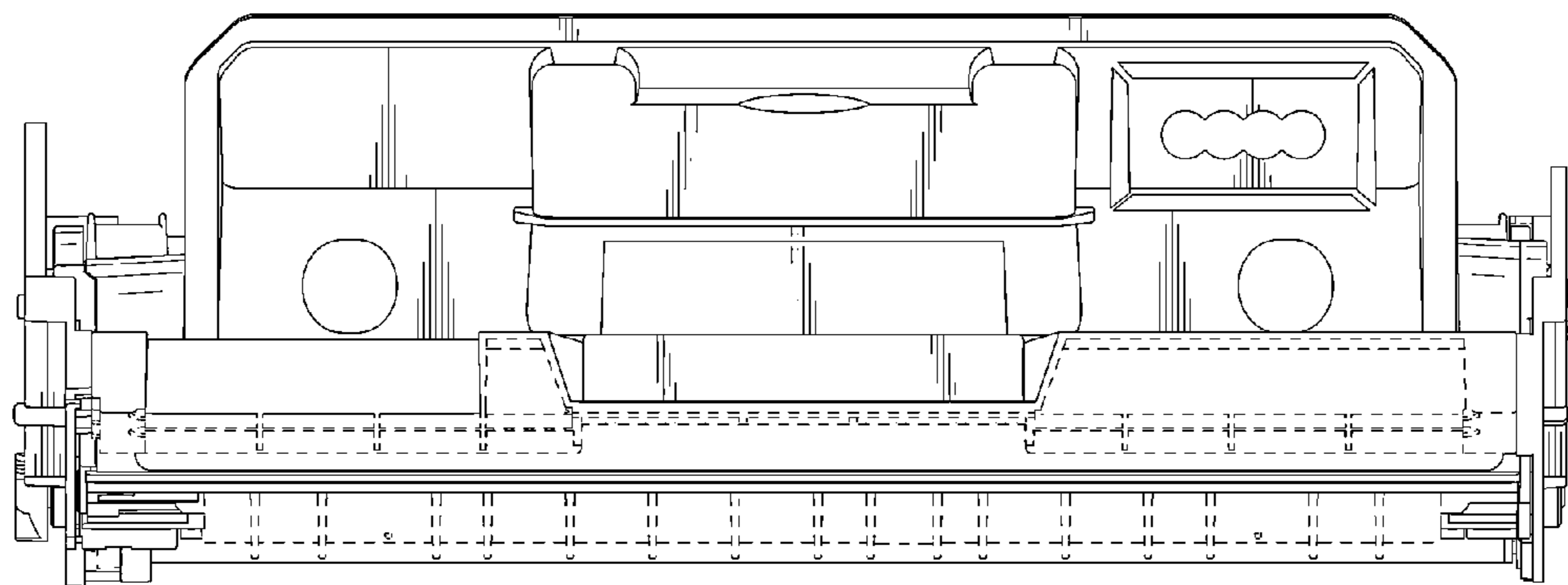


FIG.4

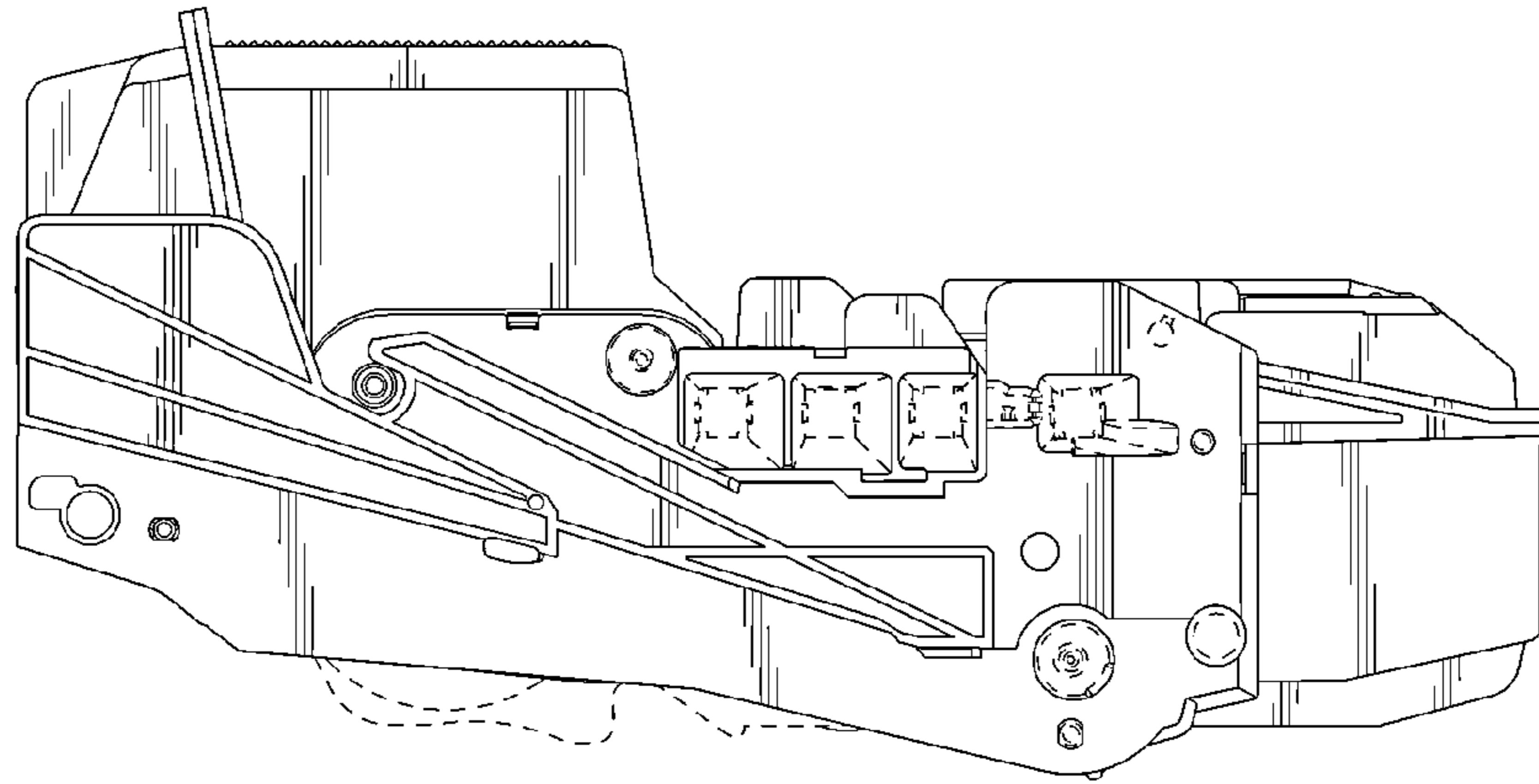


FIG.5

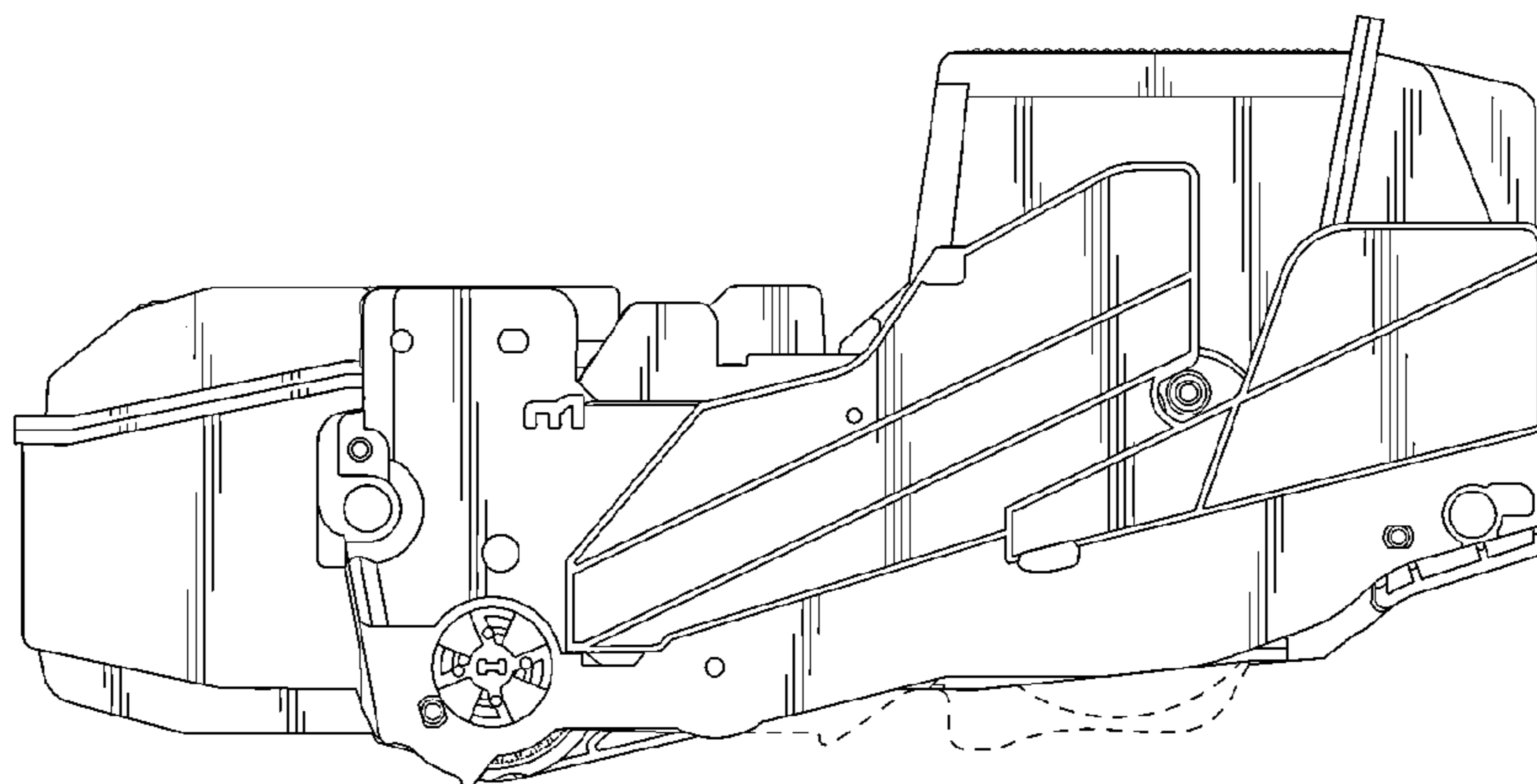


FIG.6

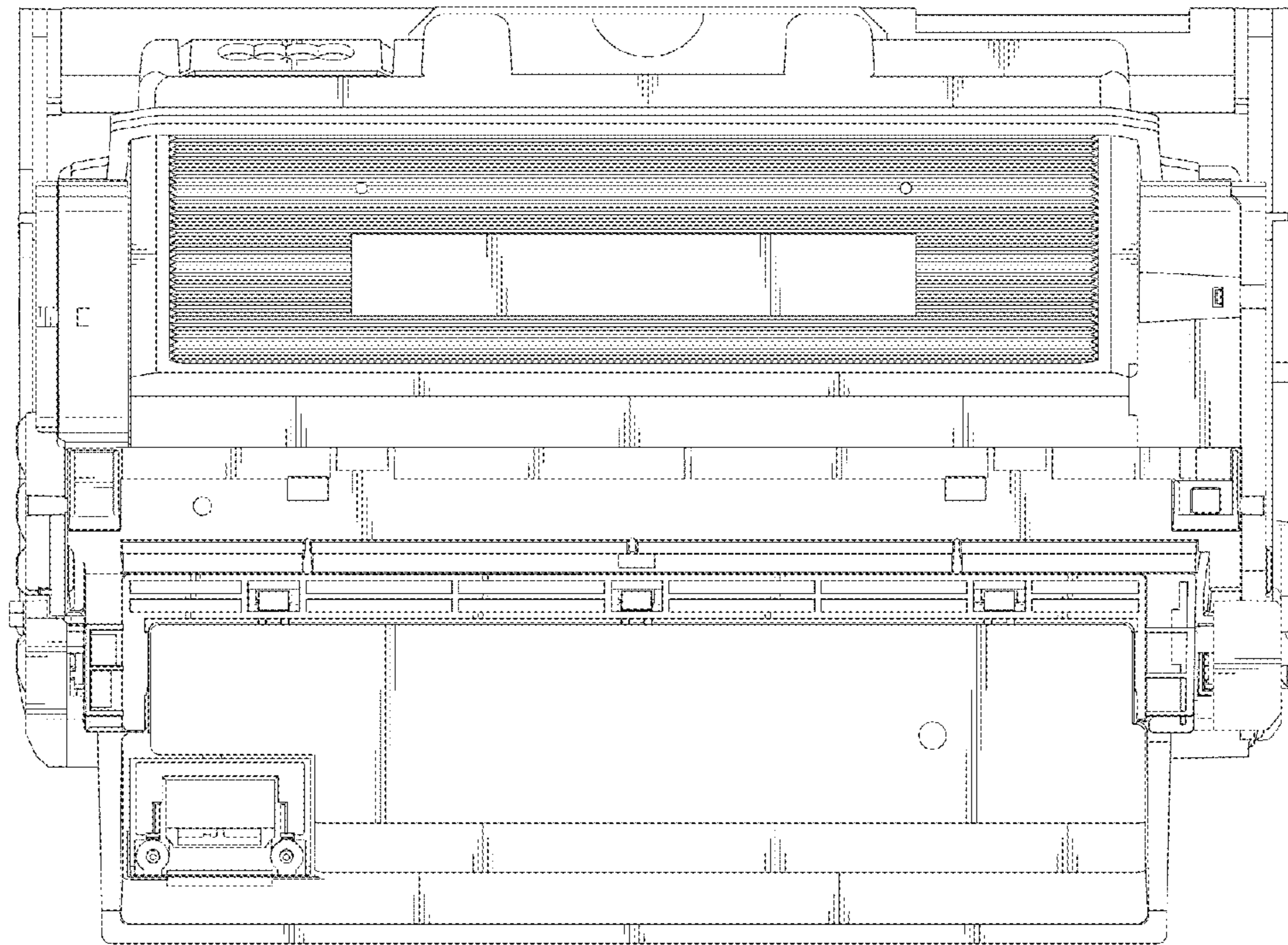


FIG.7

