



US00D727398S

(12) **United States Design Patent**  
**Blanchard et al.**

(10) **Patent No.:** **US D727,398 S**

(45) **Date of Patent:** **\*\* Apr. 21, 2015**

(54) **GOGGLE ASSEMBLY**

(71) Applicant: **100% Speedlab, LLC**, San Diego, CA  
(US)

(72) Inventors: **Marc Guy Blanchard**, San Diego, CA  
(US); **Ludovic Francis Boinnard**, San  
Diego, CA (US); **Kevin Michael**  
**Sigismondo**, San Diego, CA (US);  
**Jonathan Knight**, Lisburn (IE)

(73) Assignee: **100% Speedlab, LLC**, San Diego, CA  
(US)

(\*\*) Term: **14 Years**

(21) Appl. No.: **29/492,117**

(22) Filed: **May 28, 2014**

(51) **LOC (10) Cl.** ..... **16-06**

(52) **U.S. Cl.**  
USPC ..... **D16/312**

(58) **Field of Classification Search**  
CPC ..... G02C 2200/08; G02C 1/06; G02C 11/08;  
A63B 33/002; A44B 11/04; A61F 9/026  
USPC ..... D16/101, 300–342, 900; D29/109–110;  
351/41, 44–46, 51–52, 62, 158, 92,  
351/103–123, 140–153, 63, 59; 2/13, 15,  
2/426–432, 447–449, 441, 434–437;  
D21/483, 659–661

See application file for complete search history.

(56) **References Cited**

U.S. PATENT DOCUMENTS

5,617,588 A *	4/1997	Canavan et al.	2/428
D519,147 S *	4/2006	Moritz et al.	D16/312
D577,054 S *	9/2008	Moritz	D16/312
D616,483 S *	5/2010	Moritz	D16/312
D640,724 S *	6/2011	Goodman et al.	D16/312
D649,178 S *	11/2011	Moritz et al.	D16/312
D711,960 S *	8/2014	Mage et al.	D16/312

\* cited by examiner

*Primary Examiner* — Raphael Barkai

(74) *Attorney, Agent, or Firm* — Haynes and Boone LLP

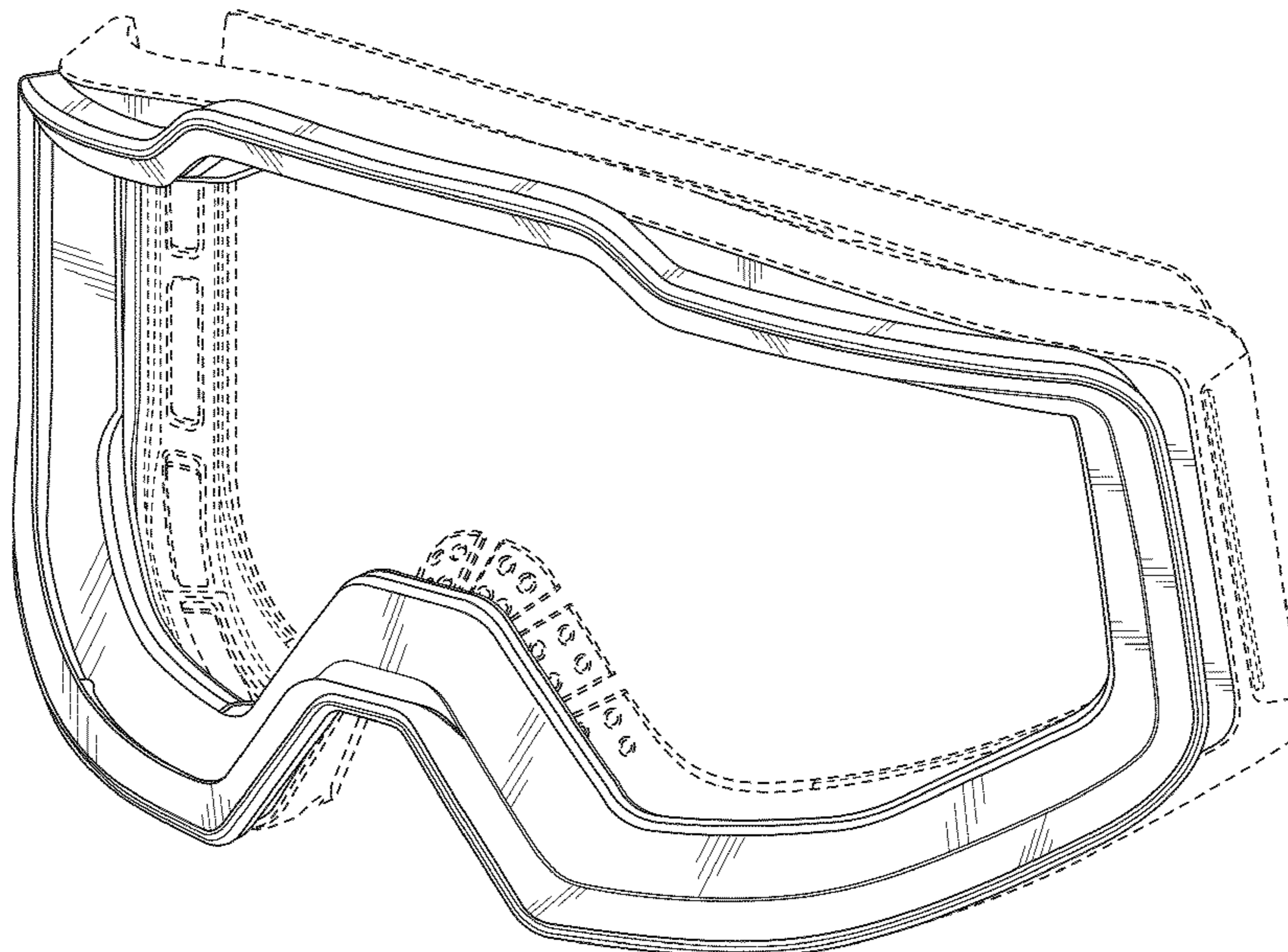
(57) **CLAIM**

The ornamental design for a goggle assembly, as shown and described.

**DESCRIPTION**

FIG. 1 is a front perspective view of a first goggle assembly embodying the new design;  
FIG. 2 is a rear perspective view thereof;  
FIG. 3 is a front side elevational view thereof;  
FIG. 4 is a rear side elevational view thereof;  
FIG. 5 is a top plan view thereof;  
FIG. 6 is a bottom plan view thereof;  
FIG. 7 is a right side elevational view thereof; and  
FIG. 8 is a left side elevational view thereof.  
FIG. 9 is a front perspective view of a second goggle assembly embodying the new design; and  
FIG. 10 is a rear perspective view thereof.  
FIG. 11 is a front perspective view of a third goggle assembly embodying the new design; and,  
FIG. 12 is a rear perspective view thereof.  
The broken lines shown in the drawings are for illustrative purposes only and form no part of the claimed design.

**1 Claim, 12 Drawing Sheets**



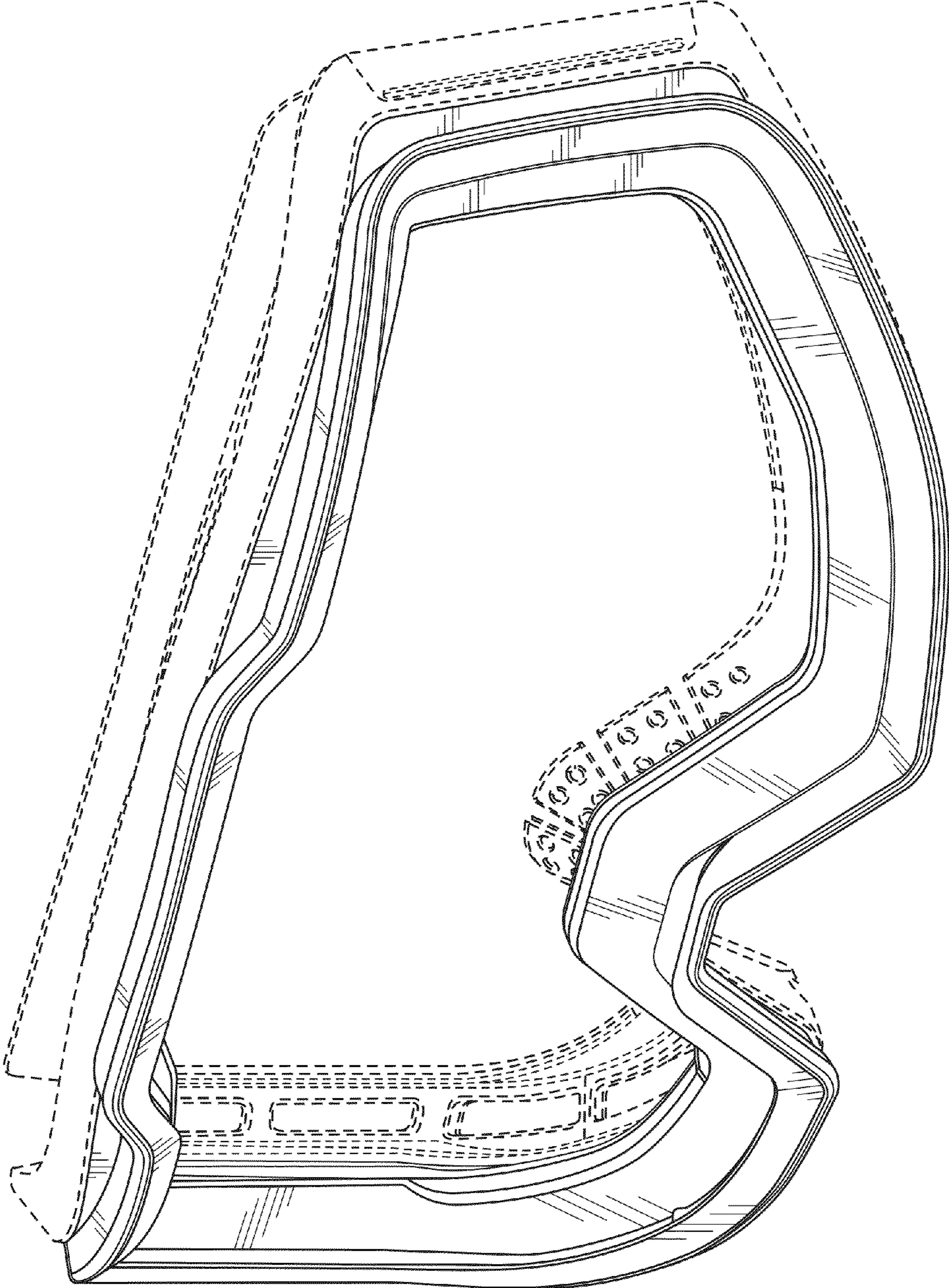


FIG. 1

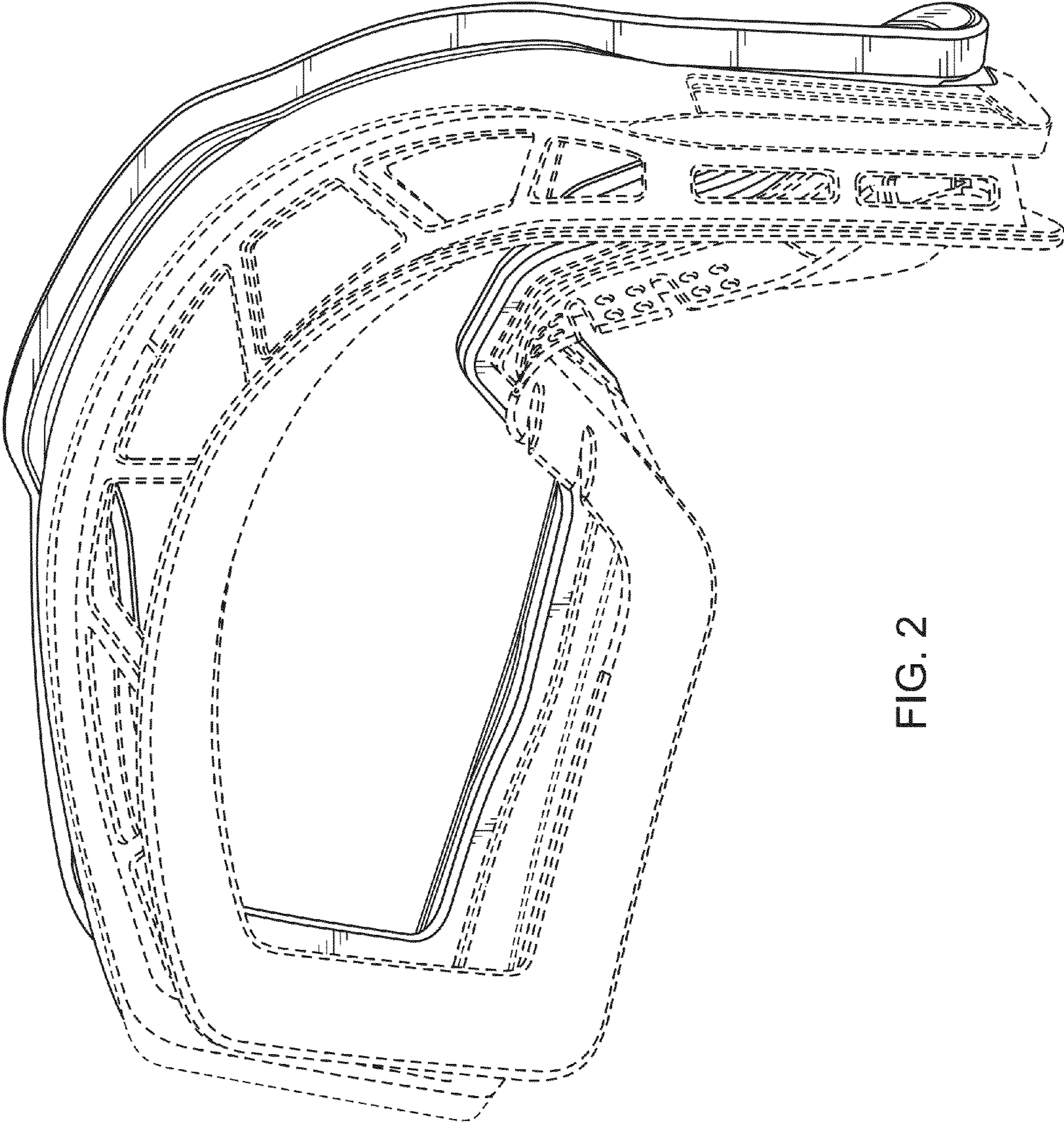


FIG. 2

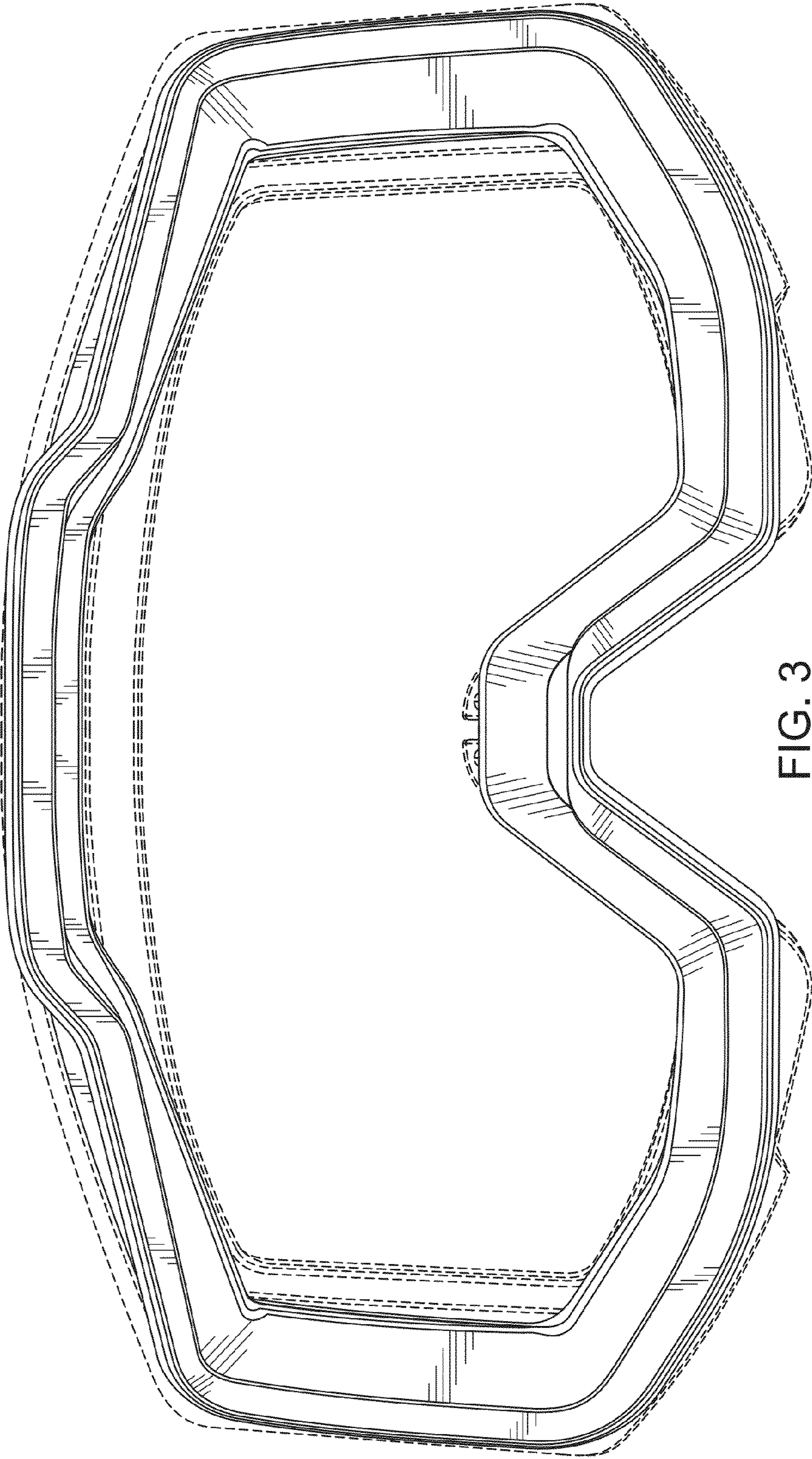


FIG. 3

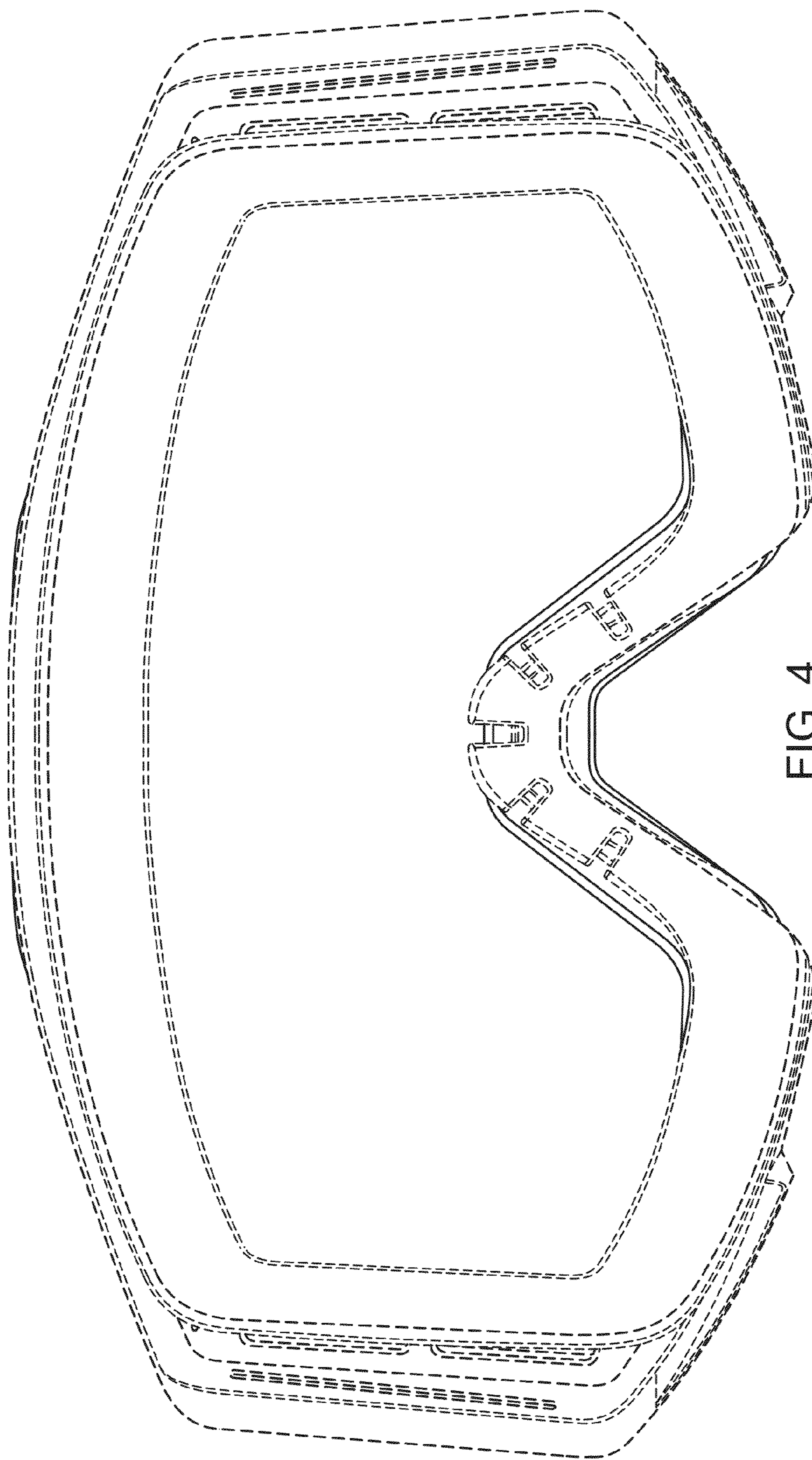


FIG. 4

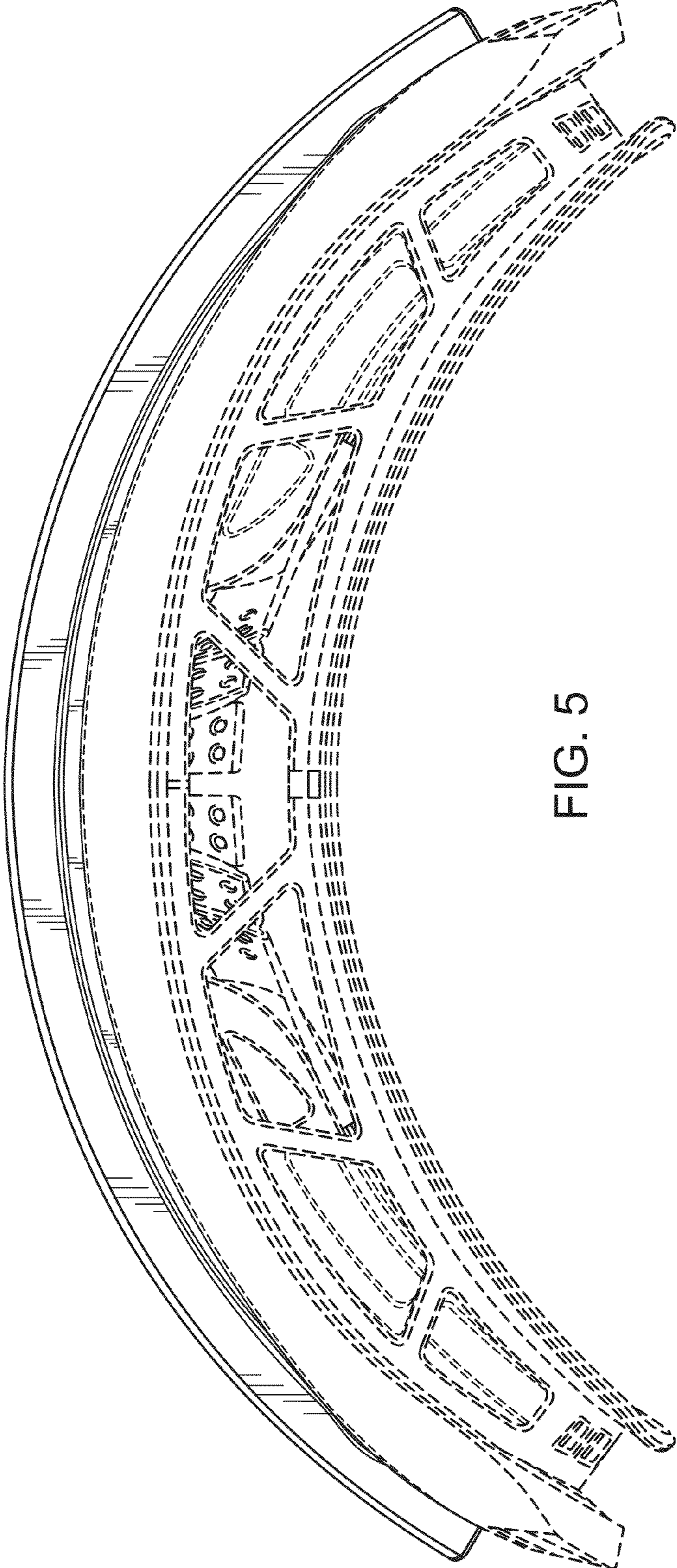


FIG. 5

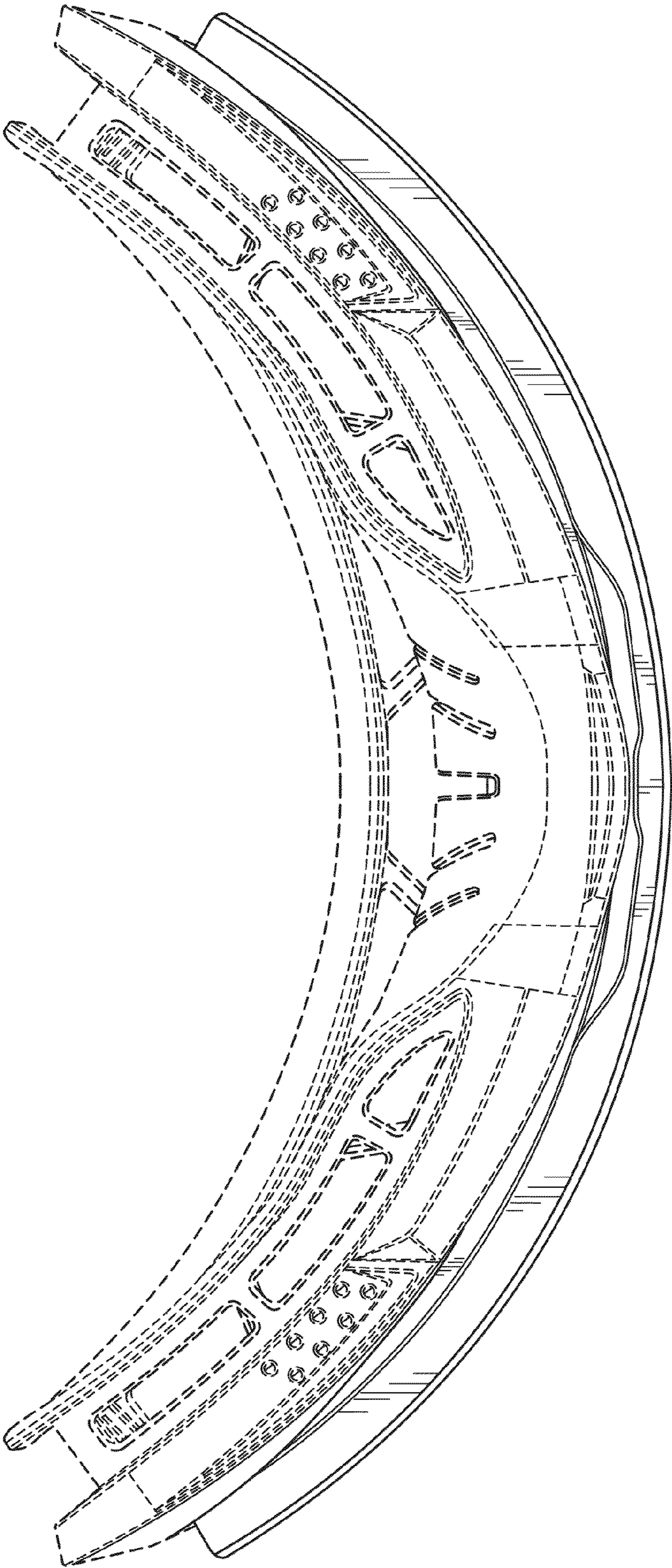


FIG. 6

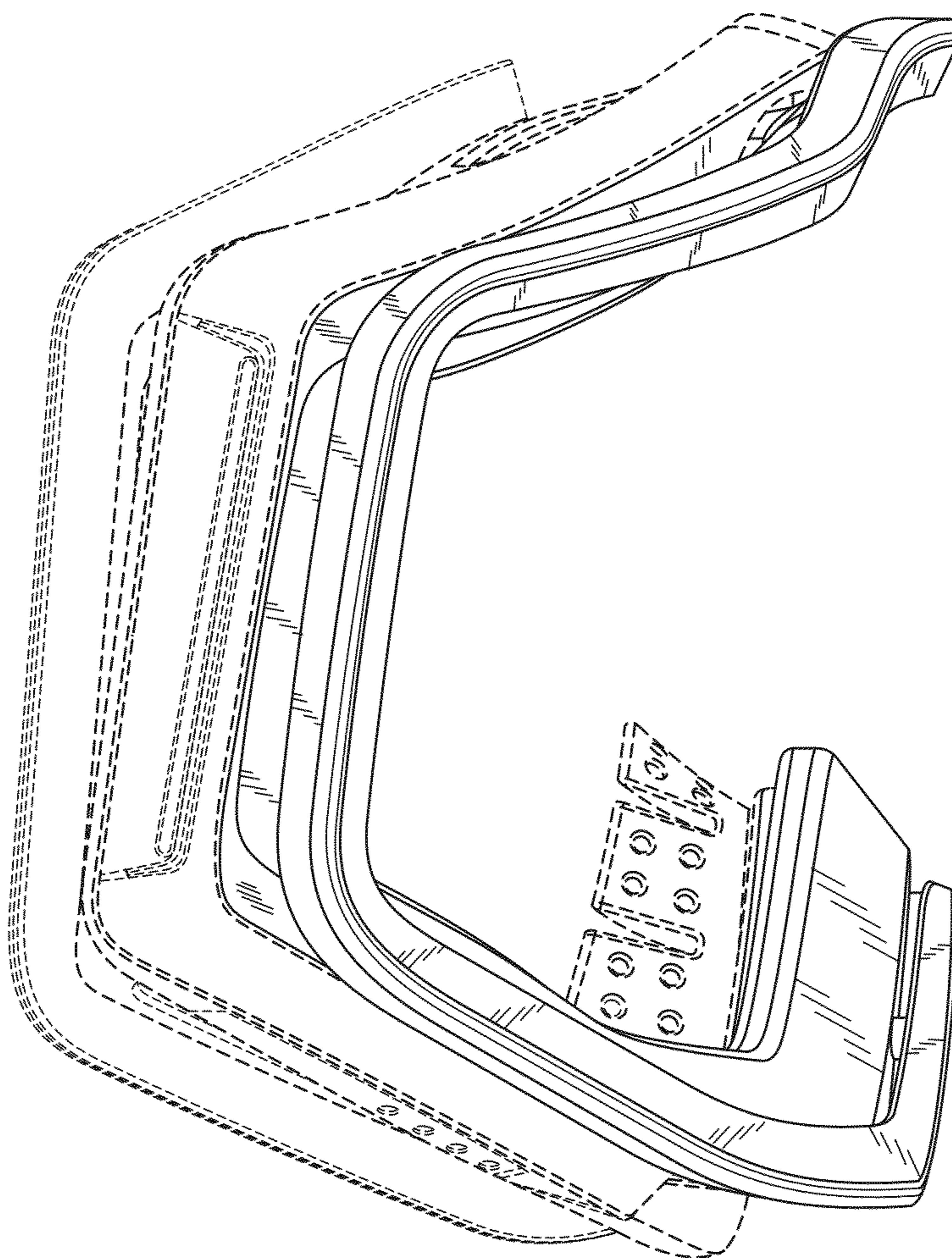


FIG. 7



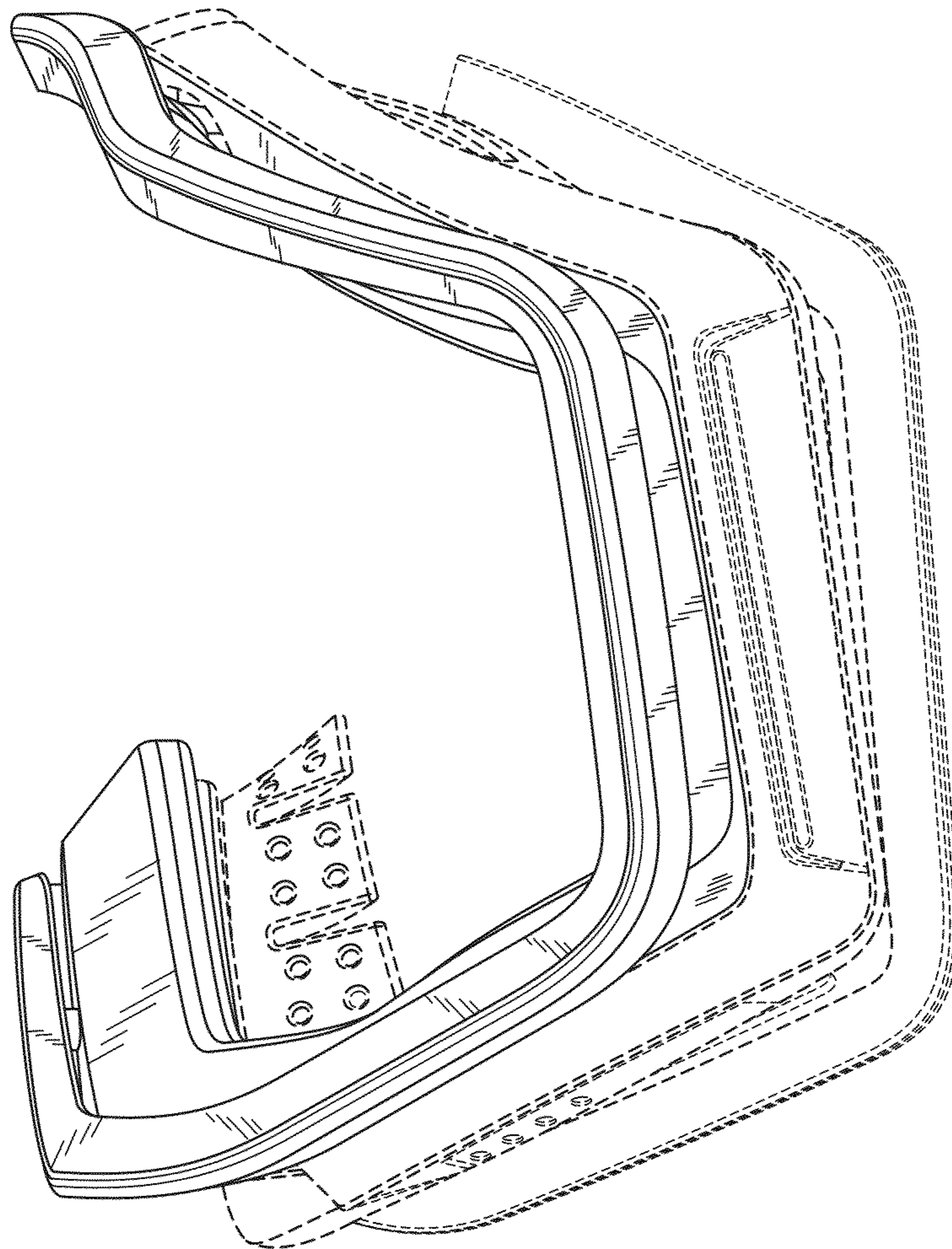


FIG. 8

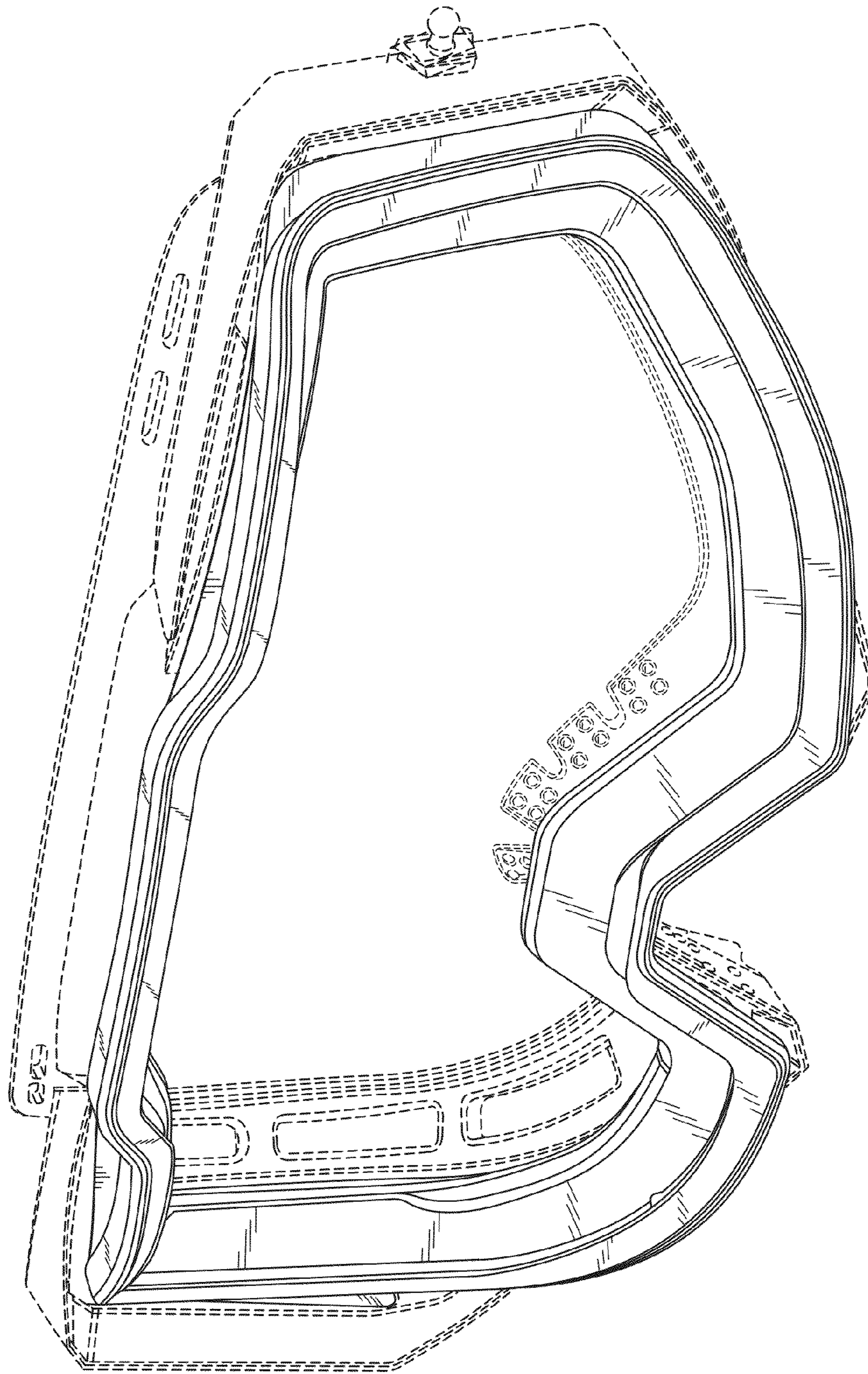


FIG. 9

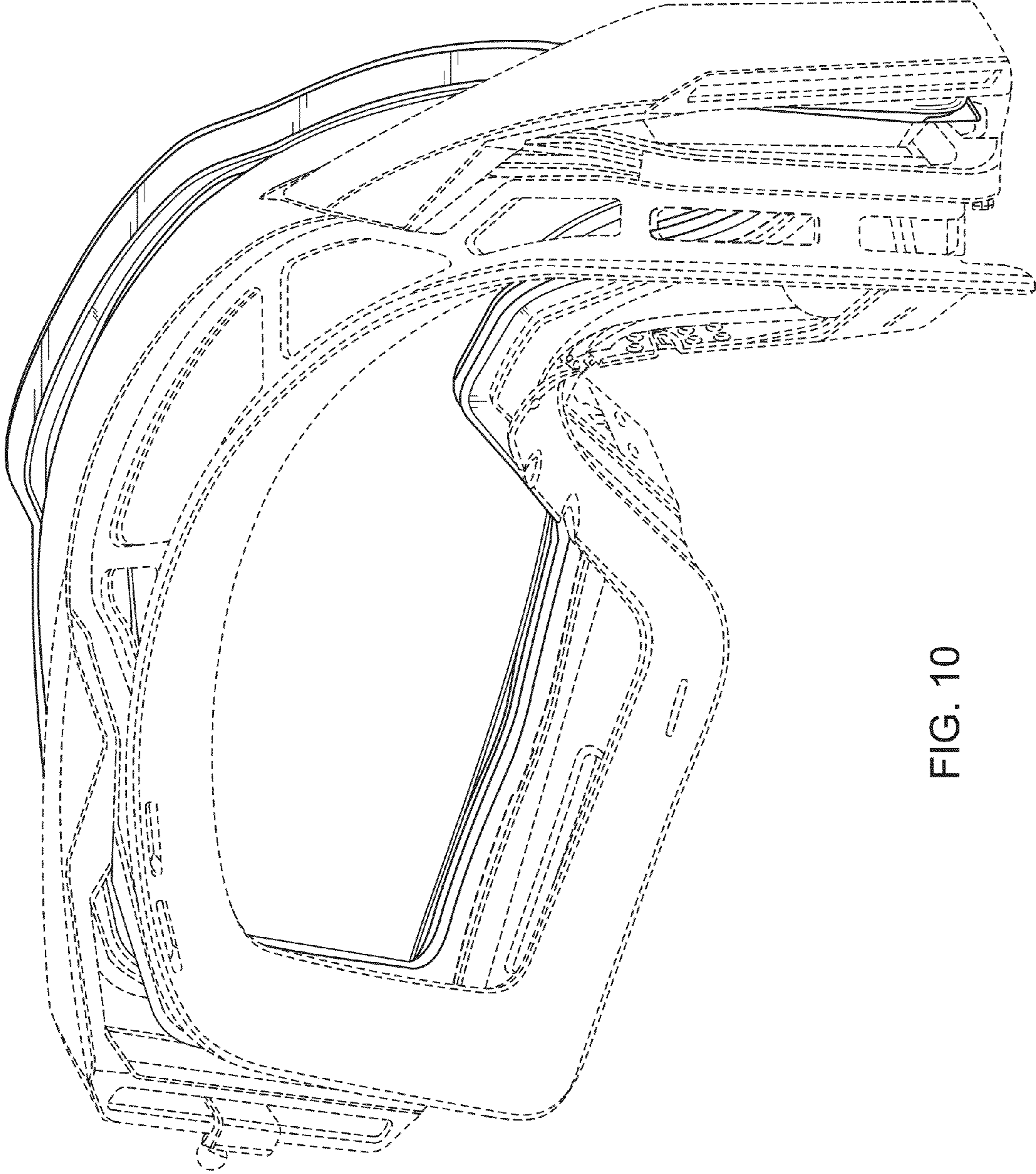


FIG. 10

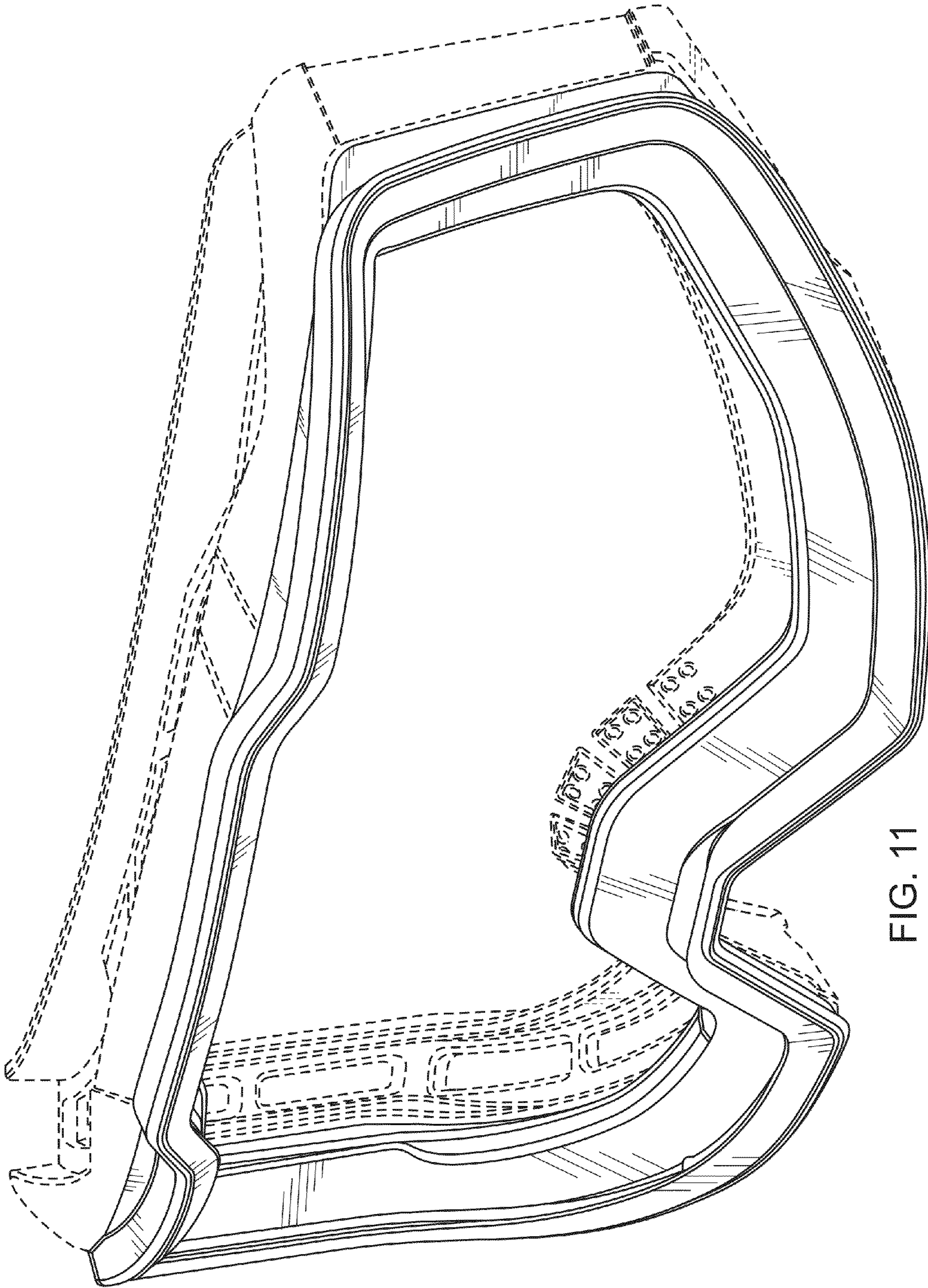


FIG. 11

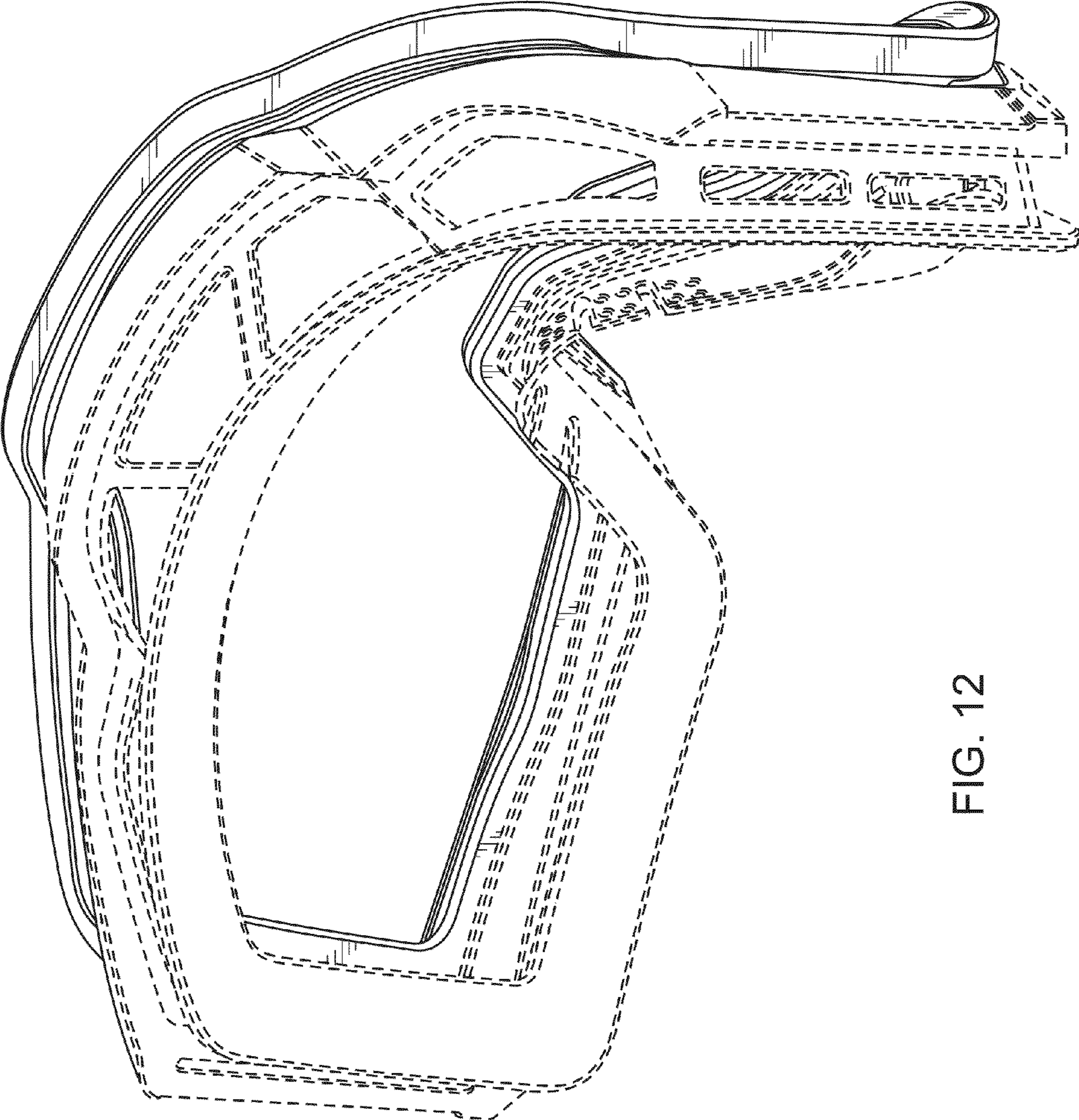


FIG. 12