



US00D727395S

(12) **United States Design Patent**
Choi et al.

(10) **Patent No.:** **US D727,395 S**
(45) **Date of Patent:** **** Apr. 21, 2015**

(54) **PANORAMIC CAMERA MOUNTING BRACKET**

6,913,232 B2 * 7/2005 Richter 248/205.8
D659,177 S * 5/2012 Chan D16/242
D666,662 S * 9/2012 Runnals D16/242
D718,295 S * 11/2014 Fan D14/251

(71) Applicant: **EyeSee360, Inc.**, Pittsburgh, PA (US)

* cited by examiner

(72) Inventors: **Minkyu Choi**, Saint-Laurent (CA);
Mladen Barbaric, Ottawa (CA);
Sungmoon Kim, Saint-Laurent (CA);
Bonggeun Kim, Westmount (CA)

Primary Examiner — Susan Bennett Hattan

Assistant Examiner — Vy Koenig

(74) *Attorney, Agent, or Firm* — Alan G. Towner, Esq.;
Pietragallo Gordon Alfano Bosick & Raspanti, LLP

(73) Assignee: **EyeSee360, Inc.**, Pittsburgh, PA (US)

(**) Term: **14 Years**

(57) **CLAIM**

The ornamental design for a panoramic camera mounting bracket, as shown and described.

(21) Appl. No.: **29/478,300**

DESCRIPTION

(22) Filed: **Jan. 3, 2014**

(51) **LOC (10) Cl.** **16-05**

(52) **U.S. Cl.**

USPC **D16/242**

(58) **Field of Classification Search**

CPC G03B 17/14; G03B 17/26; G03B 17/30;
G03B 17/56; G03B 17/561–17/568; G03B
21/54; F16M 11/14; F16M 11/26; F16M
13/04; H04N 5/2254

USPC D16/205, 208, 211, 214, 218–220, 235,
D16/237–250, 302, 303; D8/354, 363, 394,
D8/395; D14/217, 251, 253, 447, 452

See application file for complete search history.

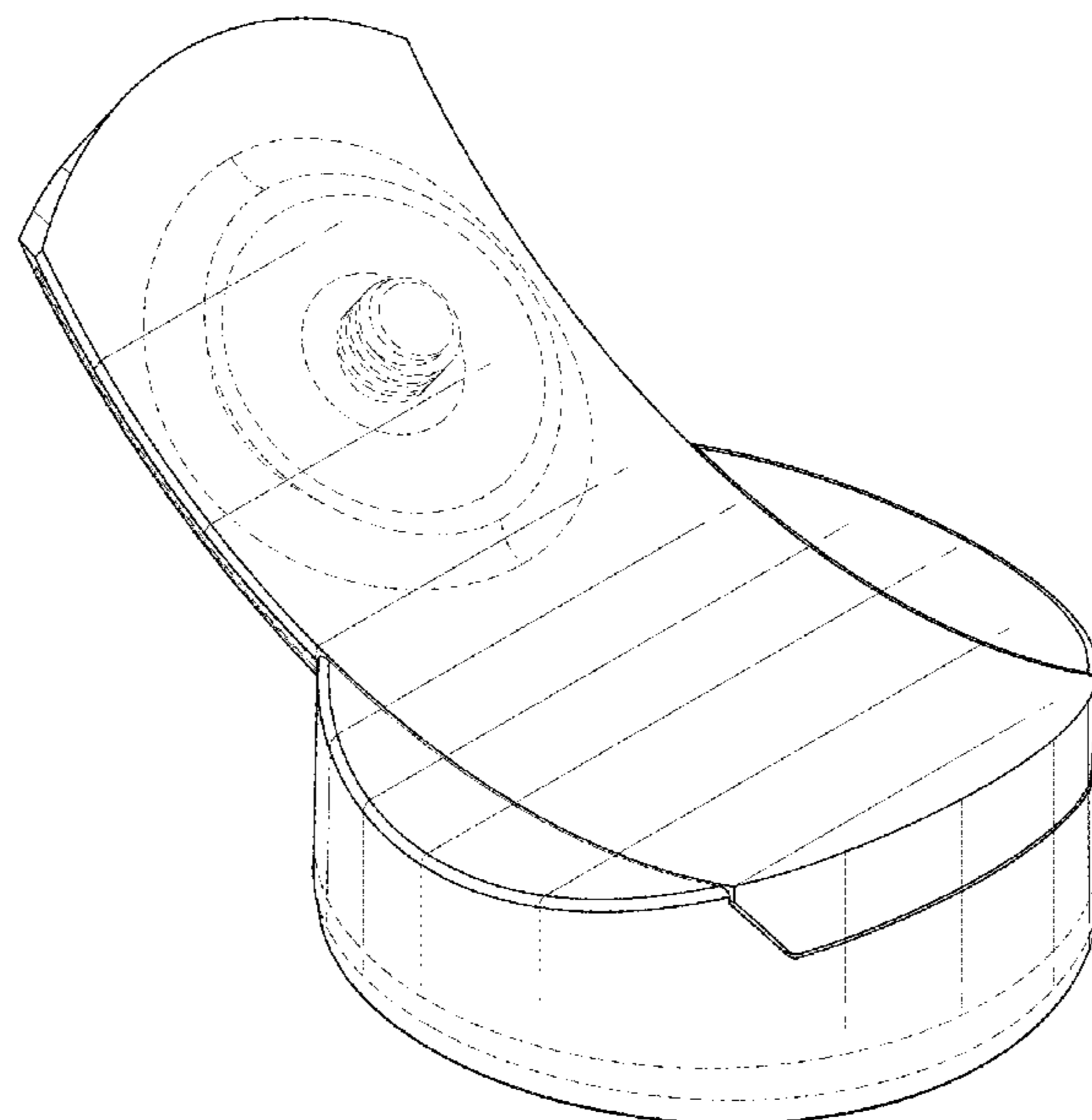
FIG. 1 is an isometric front top view of a panoramic camera mounting bracket showing our new design;
FIG. 2 is an isomeric back bottom view thereof;
FIG. 3 is a front view thereof;
FIG. 4 is a back view thereof;
FIG. 5 is a left side view thereof;
FIG. 6 is a right side view thereof;
FIG. 7 is a top view thereof;
FIG. 8 is a bottom view thereof;
FIG. 9 is a left side view thereof, showing movement of a mounting arm of the bracket from the upper left position shown in FIG. 5 to an intermediate position shown in FIG. 9; and,
FIG. 10 is a left side view thereof, showing movement of the mounting arm of the bracket from the upper left position shown in FIG. 5 to a lower right position shown in FIG. 10. The broken lines depict environmental subject matter and form no part of the claimed design.

(56) **References Cited**

U.S. PATENT DOCUMENTS

4,653,709 A * 3/1987 Paldino 248/183.2
D409,218 S * 5/1999 Fukushima D16/243
6,354,544 B1 * 3/2002 Muzila 248/187.1
D487,270 S * 3/2004 Richter D14/447

1 Claim, 10 Drawing Sheets



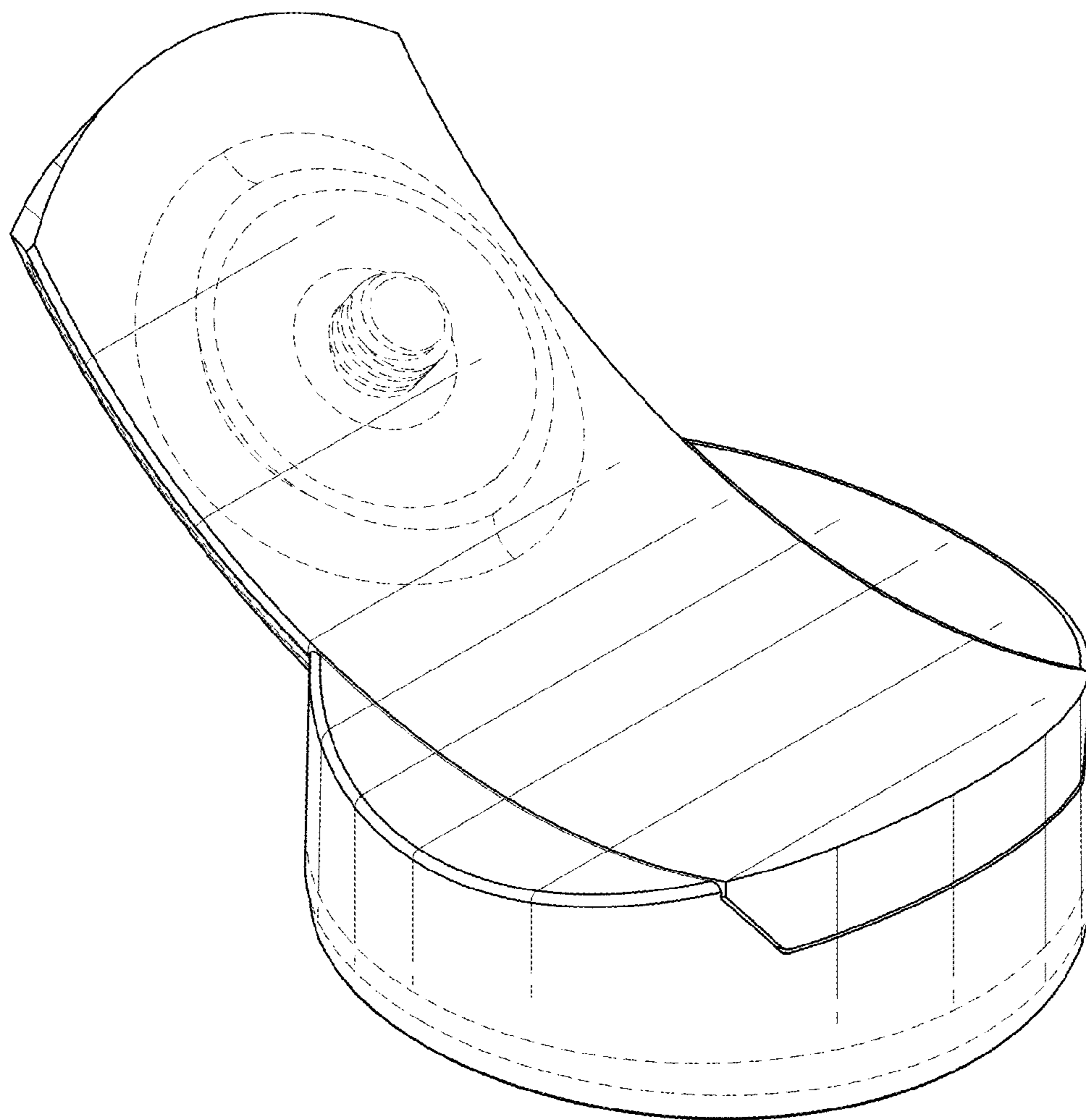


FIG. 1

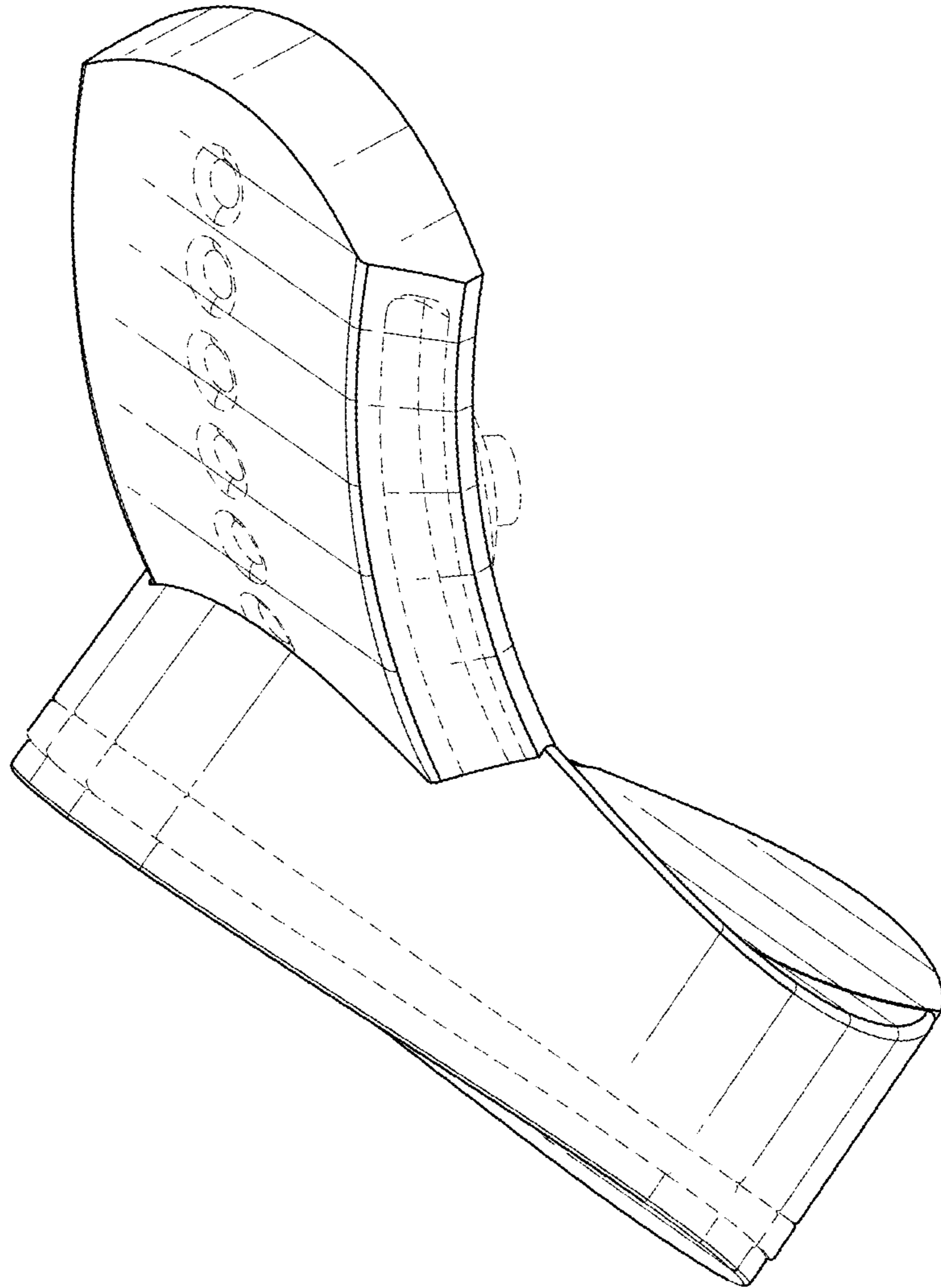


FIG. 2

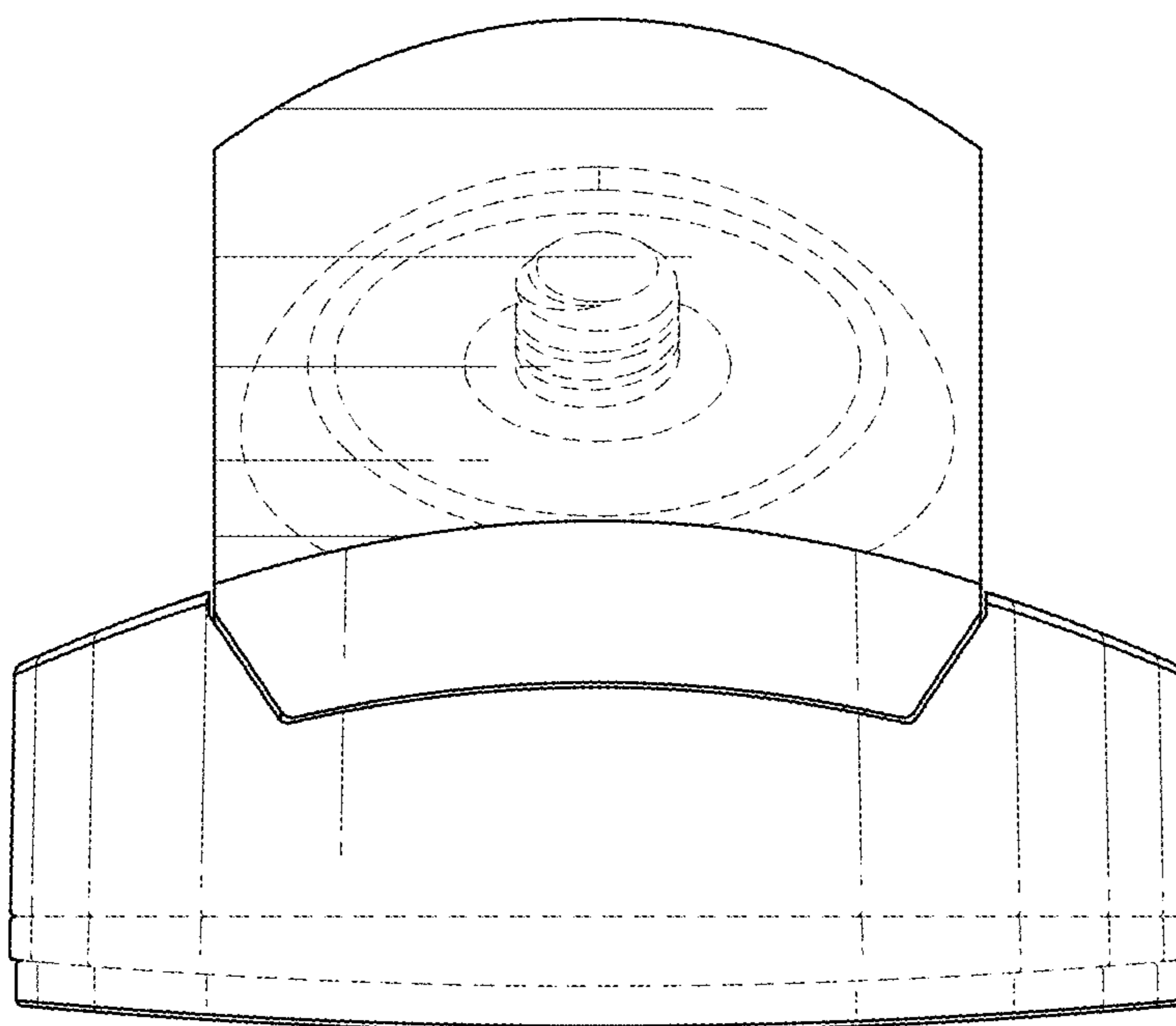


FIG. 3

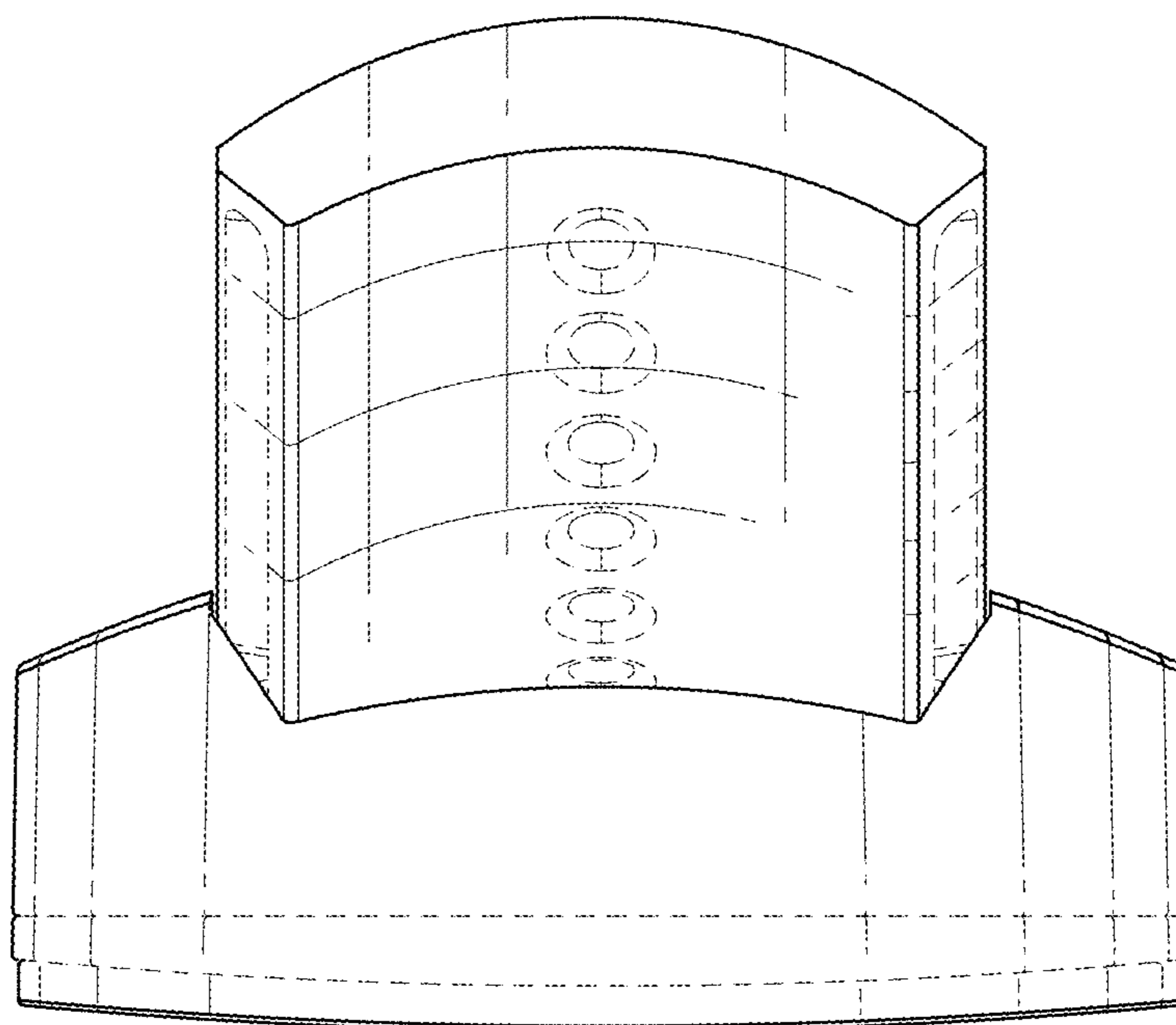


FIG. 4

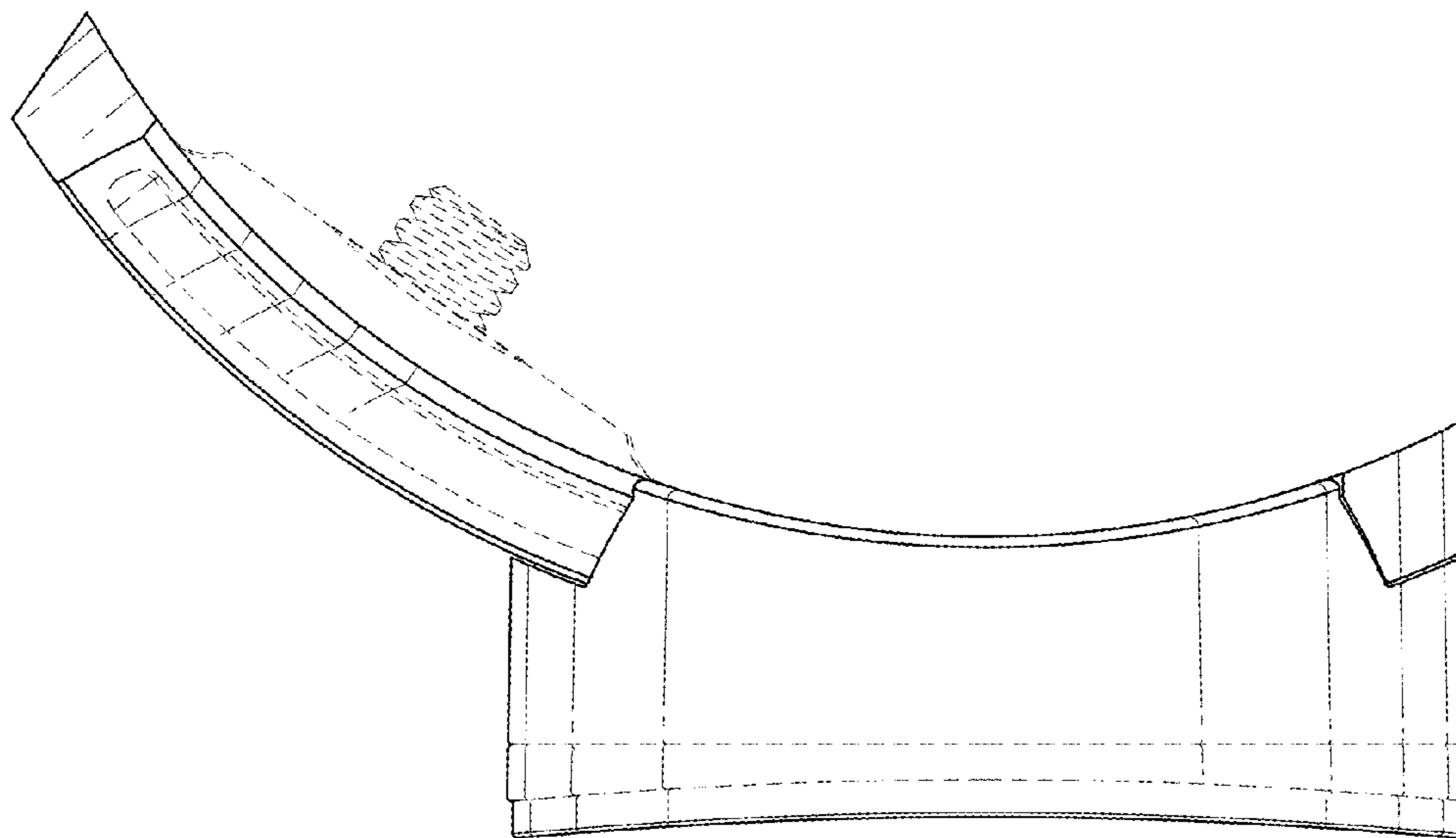


FIG. 5

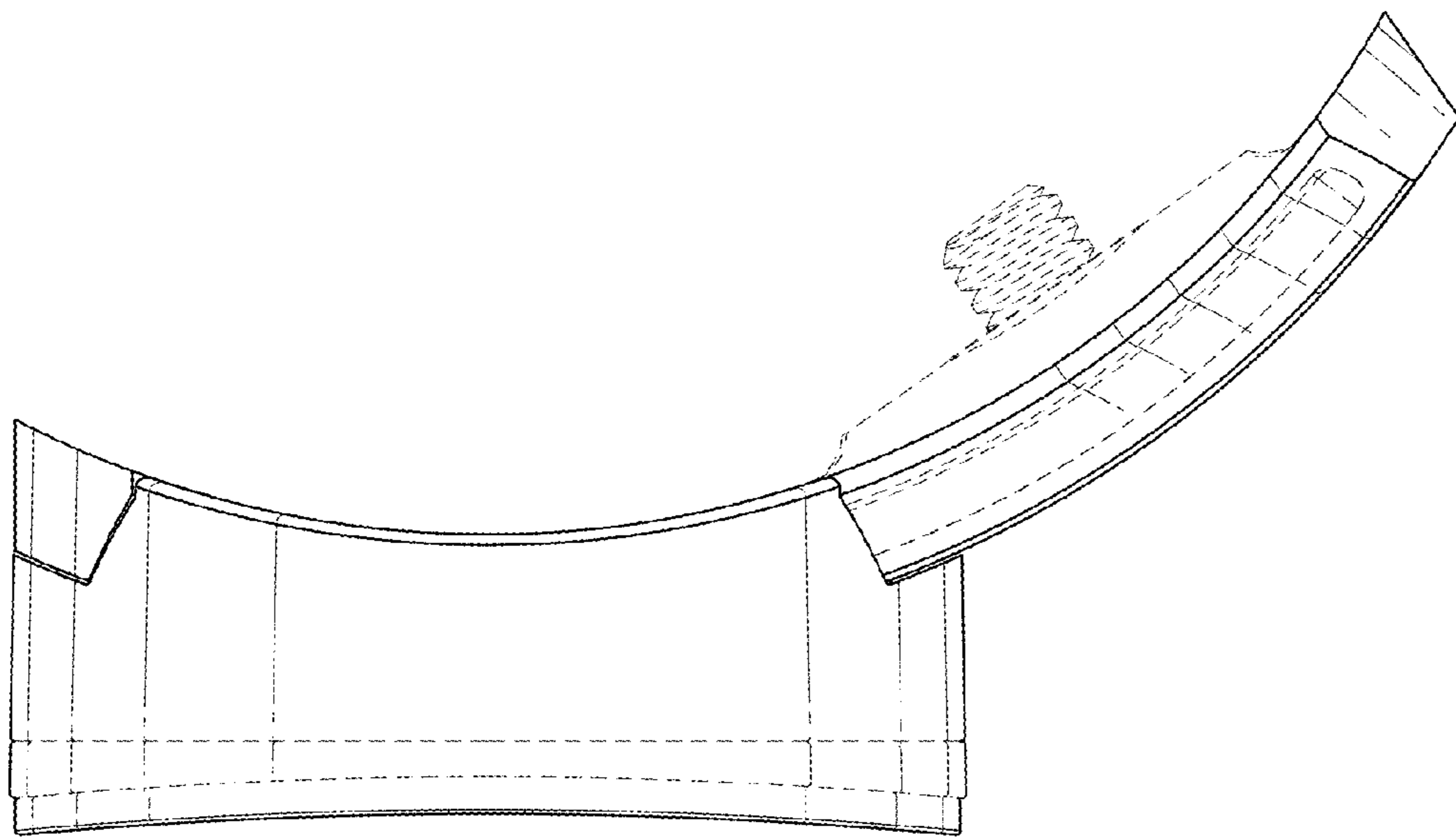


FIG. 6

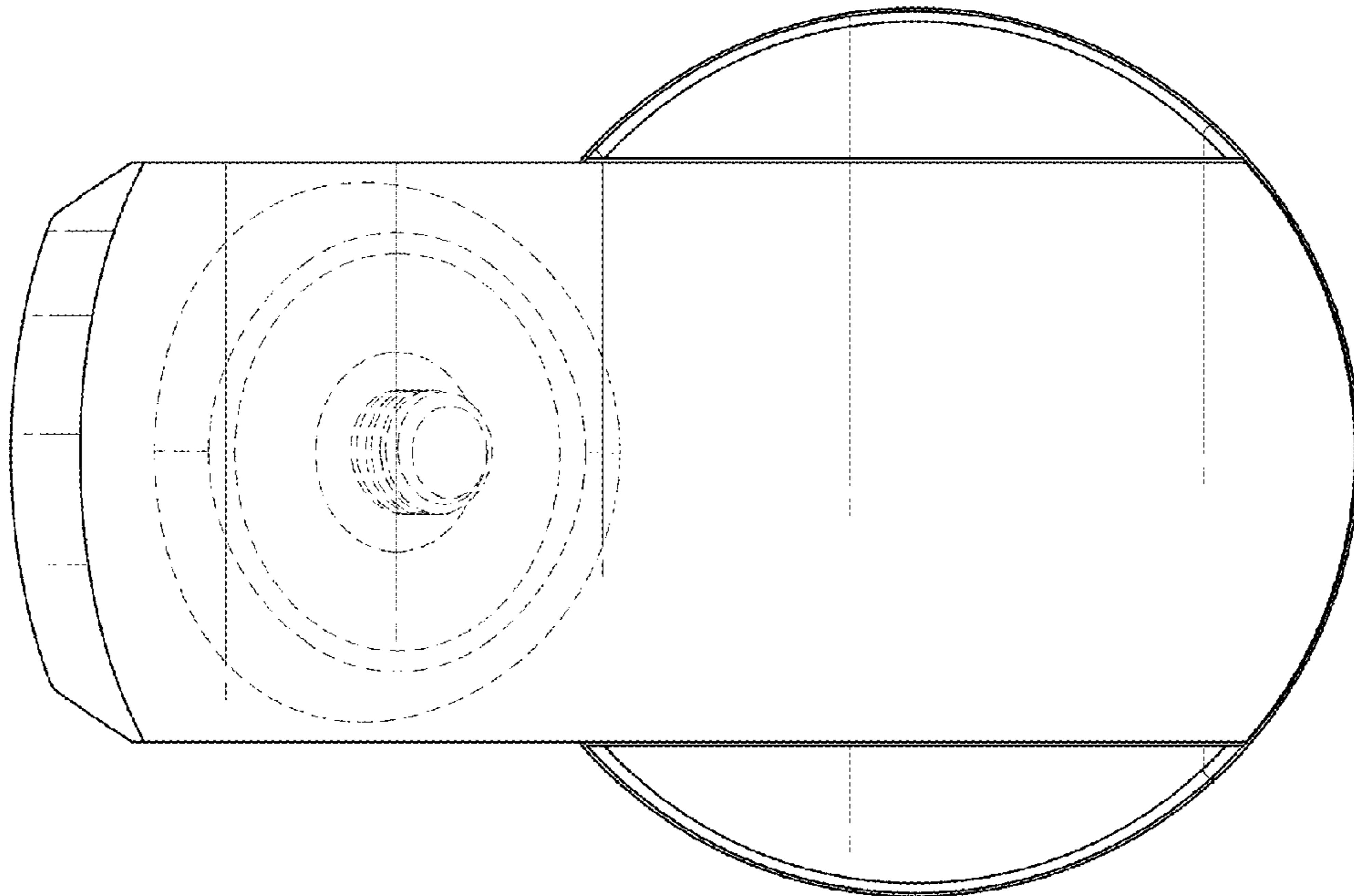


FIG. 7

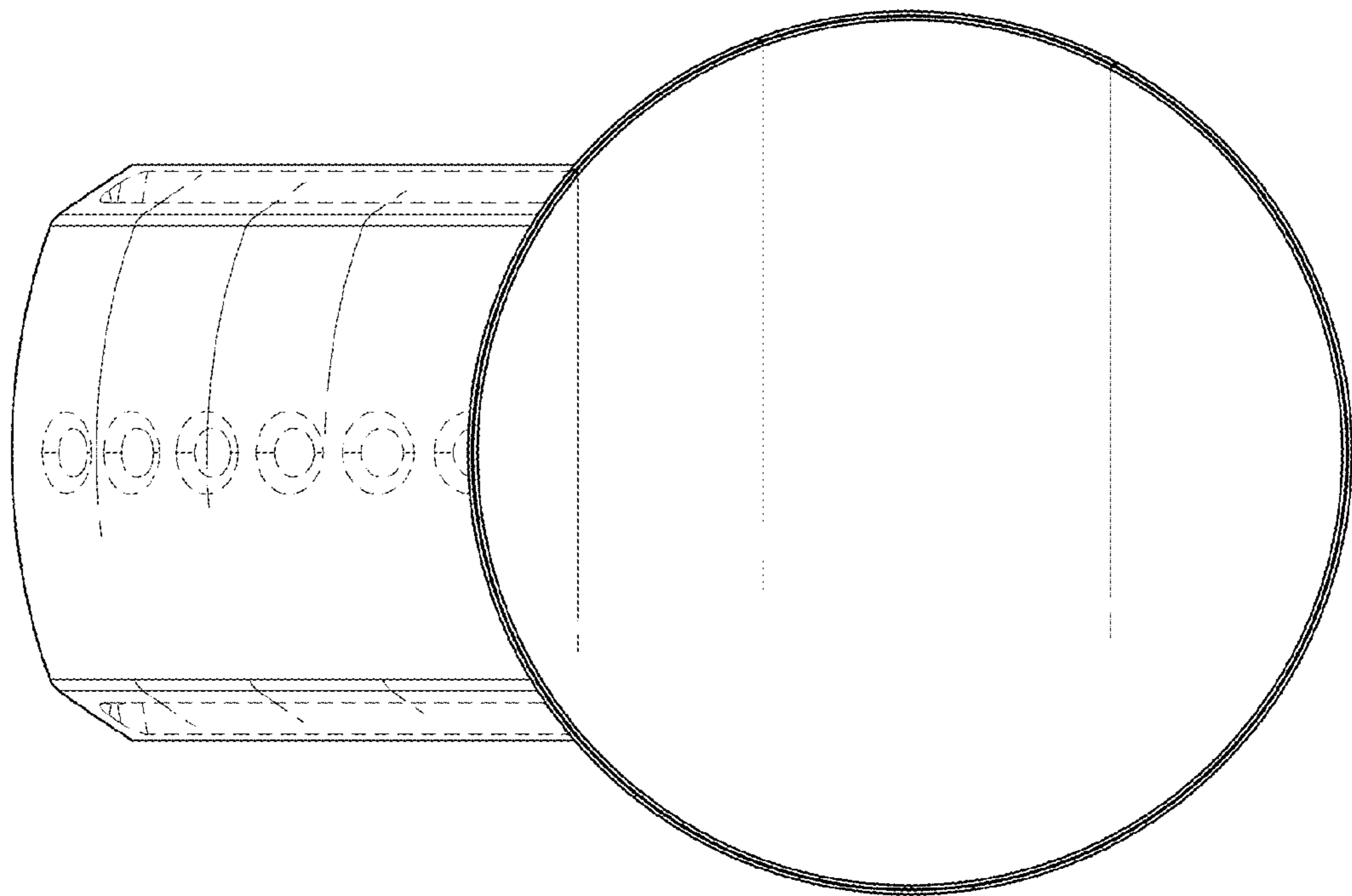


FIG. 8

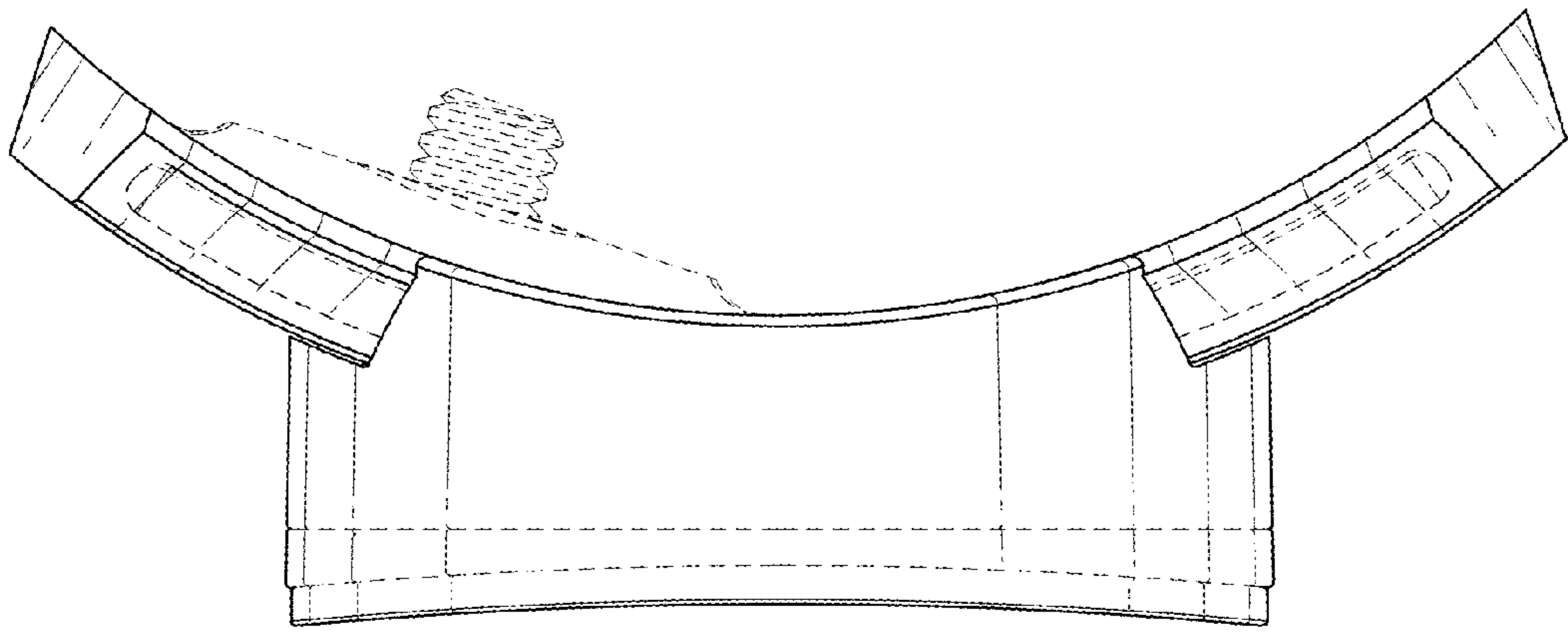


FIG. 9

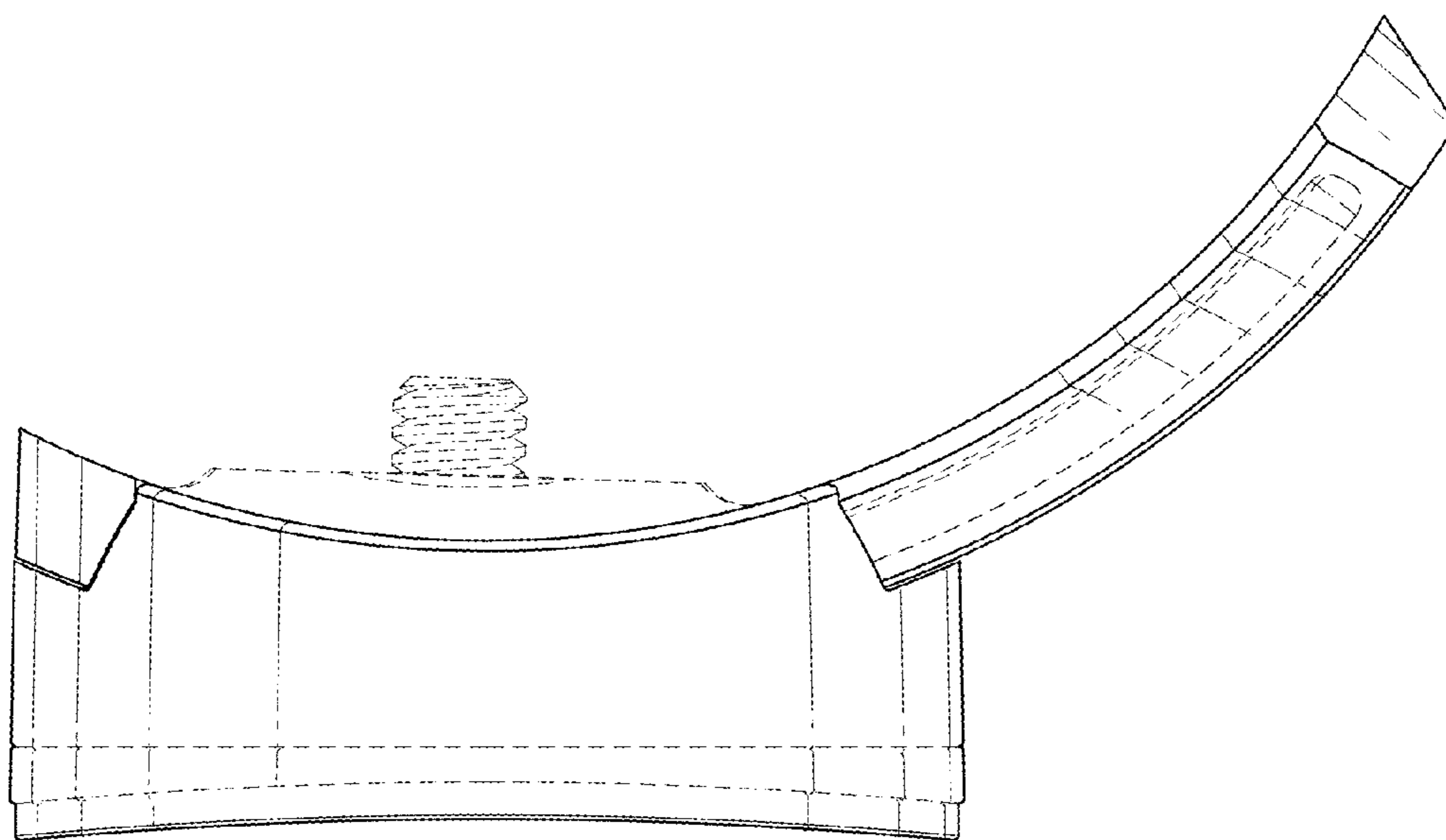


FIG. 10