



US00D727393S

(12) **United States Design Patent**  
**Elrod et al.**

(10) **Patent No.:** **US D727,393 S**

(45) **Date of Patent:** **\*\* Apr. 21, 2015**

(54) **THERMAL IMAGER**

(71) Applicant: **Fluke Corporation**, Everett, WA (US)

(72) Inventors: **Jeffrey Elrod**, Seattle, WA (US); **Justin M. Sheard**, Rogers, MN (US); **Timothy J. Kesti**, Monticello, MN (US)

(73) Assignee: **Fluke Corporation**, Everett, WA (US)

(\*\*) Term: **14 Years**

(21) Appl. No.: **29/456,351**

(22) Filed: **May 30, 2013**

(51) **LOC (10) Cl.** ..... **16-05**

(52) **U.S. Cl.**  
USPC ..... **D16/219**; D16/206

(58) **Field of Classification Search**  
CPC ..... G03B 15/03; G03B 17/02; G03B 17/04;  
G03B 17/56; G03B 19/04; H04N 5/2251;  
H04N 5/2252; H04N 5/2253; H04N 5/2254;  
H04N 2101/00; H04N 5/33; H04N 5/332  
USPC ..... D16/130, 200, 202–206, 208, 218, 219;  
348/164, 373–376; 396/535, 539–541  
See application file for complete search history.

(56) **References Cited**

**U.S. PATENT DOCUMENTS**

D466,540	S	*	12/2002	Lannestedt et al.	.....	D16/218
D472,911	S	*	4/2003	Bielefeld	.....	D16/130
D487,577	S		3/2004	Sheard		
D525,640	S		7/2006	Bloch		
D540,838	S	*	4/2007	Aronsson et al.	.....	D16/206
D585,927	S	*	2/2009	Sheard et al.	.....	D16/206
D599,392	S	*	9/2009	Hamrelius	.....	D16/206
D652,440	S	*	1/2012	Davidson et al.	.....	D16/203
8,102,424	B2	*	1/2012	Sheard et al.	.....	348/164
D658,222	S	*	4/2012	Elrod et al.	.....	D16/206
D665,440	S	*	8/2012	Sigward	.....	D16/206
D666,928	S		9/2012	Elrod		

D667,040	S	*	9/2012	Holmes	.....	D16/206
D677,298	S	*	3/2013	Hallgren	.....	D16/206
D710,424	S	*	8/2014	Hallgren	.....	D16/206
2014/0002668	A1	*	1/2014	Nguyen et al.	.....	348/164

**OTHER PUBLICATIONS**

Fluke Brochure, "Fluke TiS Building Diagnostic Thermal Imaging Scanner", in US and Canada, Printed in U.S.A. Jun. 2010, (3804542A D-EN-N).  
Fluke Brochure, "New! Fluke Ti25 and Ti10 Thermal Imagers", Printed in U.S.A. Jun. 2008, (2674264 B-EN-N Rev D).  
Fluke Brochure, "Ti125, Ti110, Ti105, Industrial-Commercial and the Ti100 General Use Thermal Imagers", Printed in U.S.A. Mar. 2013, (4026524D\_EN).

\* cited by examiner

*Primary Examiner* — Adir Aronovich

*Assistant Examiner* — Ramzi Almatrahi

(74) *Attorney, Agent, or Firm* — Fredrikson & Byron, P.A.

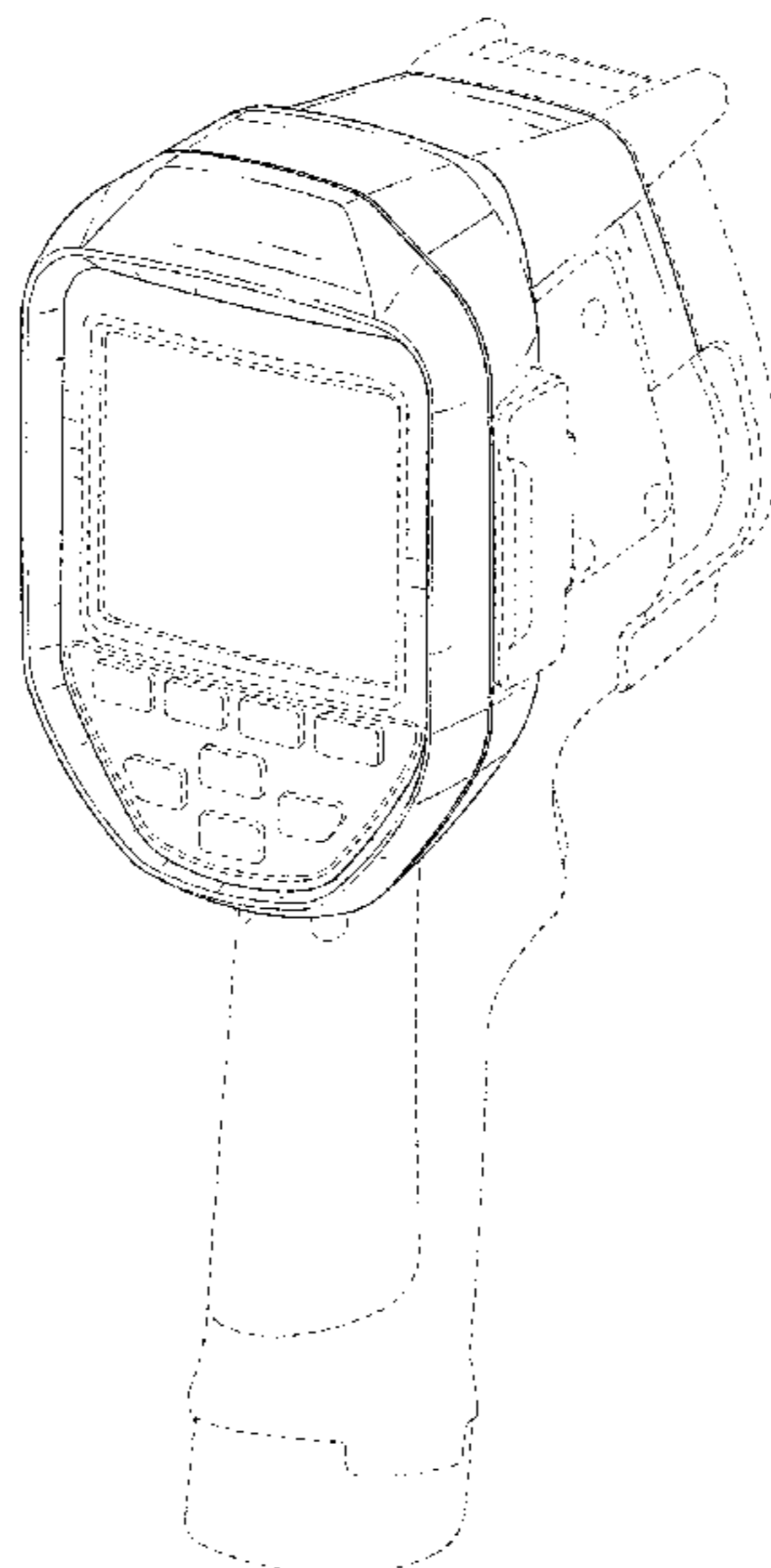
(57) **CLAIM**

We claim the ornamental design for a thermal imager, as shown and described.

**DESCRIPTION**

FIG. 1 is a rear perspective view of a thermal imager showing our new design;  
FIG. 2 is a rear elevational view thereof;  
FIG. 3 is a front elevational view thereof;  
FIG. 4 is a left side elevational view thereof;  
FIG. 5 is a right side elevational view thereof;  
FIG. 6 is a top plan view thereof; and,  
FIG. 7 is a bottom plan view thereof.  
The broken lines depict portions of a thermal imager in which the design is embodied and form no part of the claimed design.

**1 Claim, 7 Drawing Sheets**



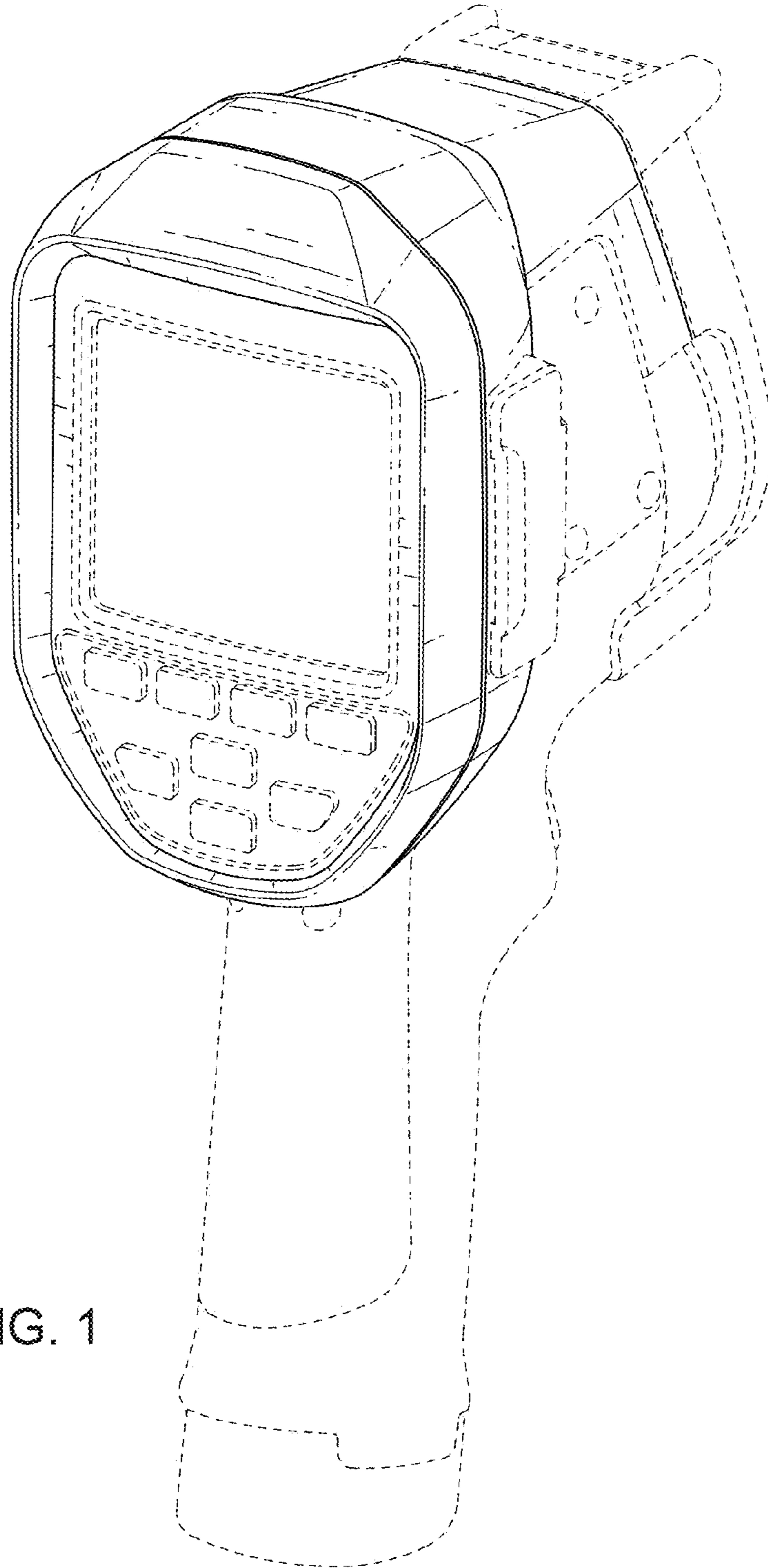


FIG. 1

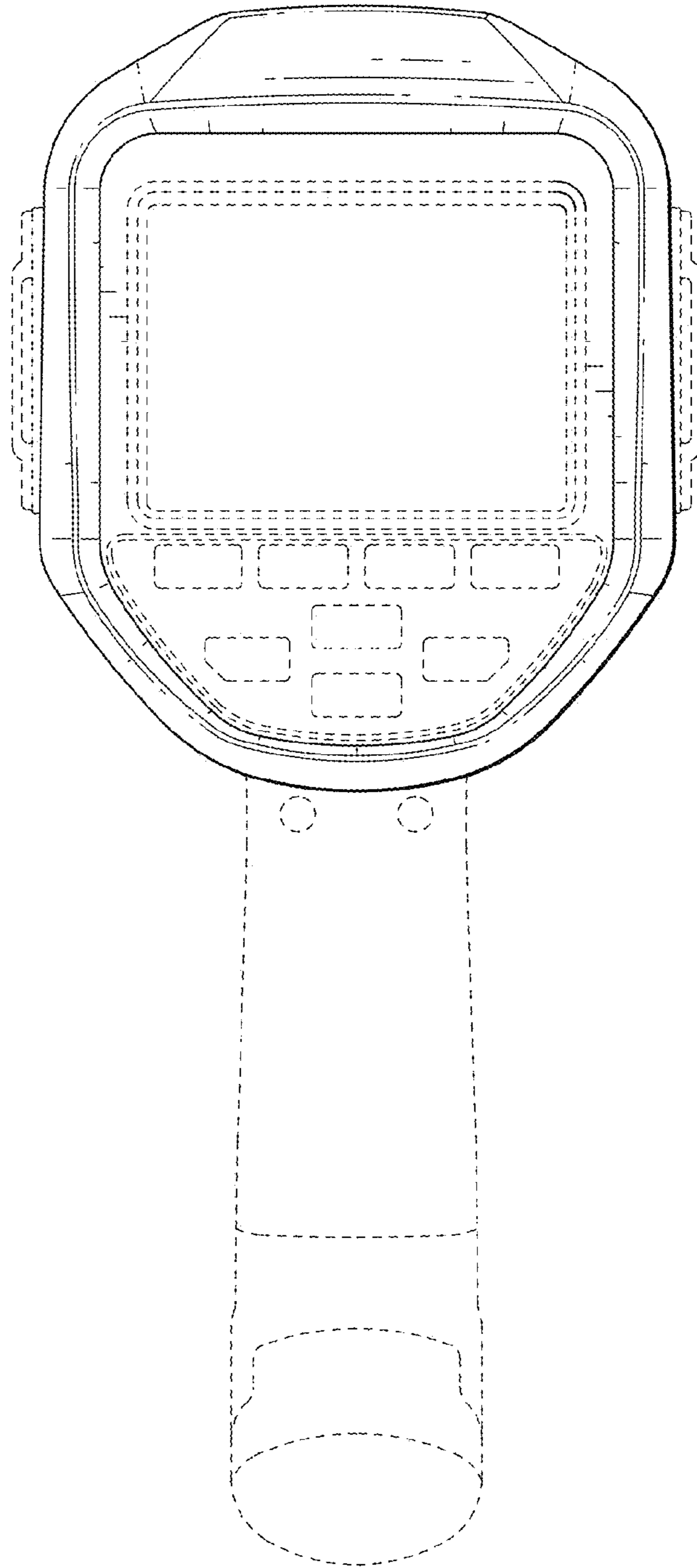


FIG. 2

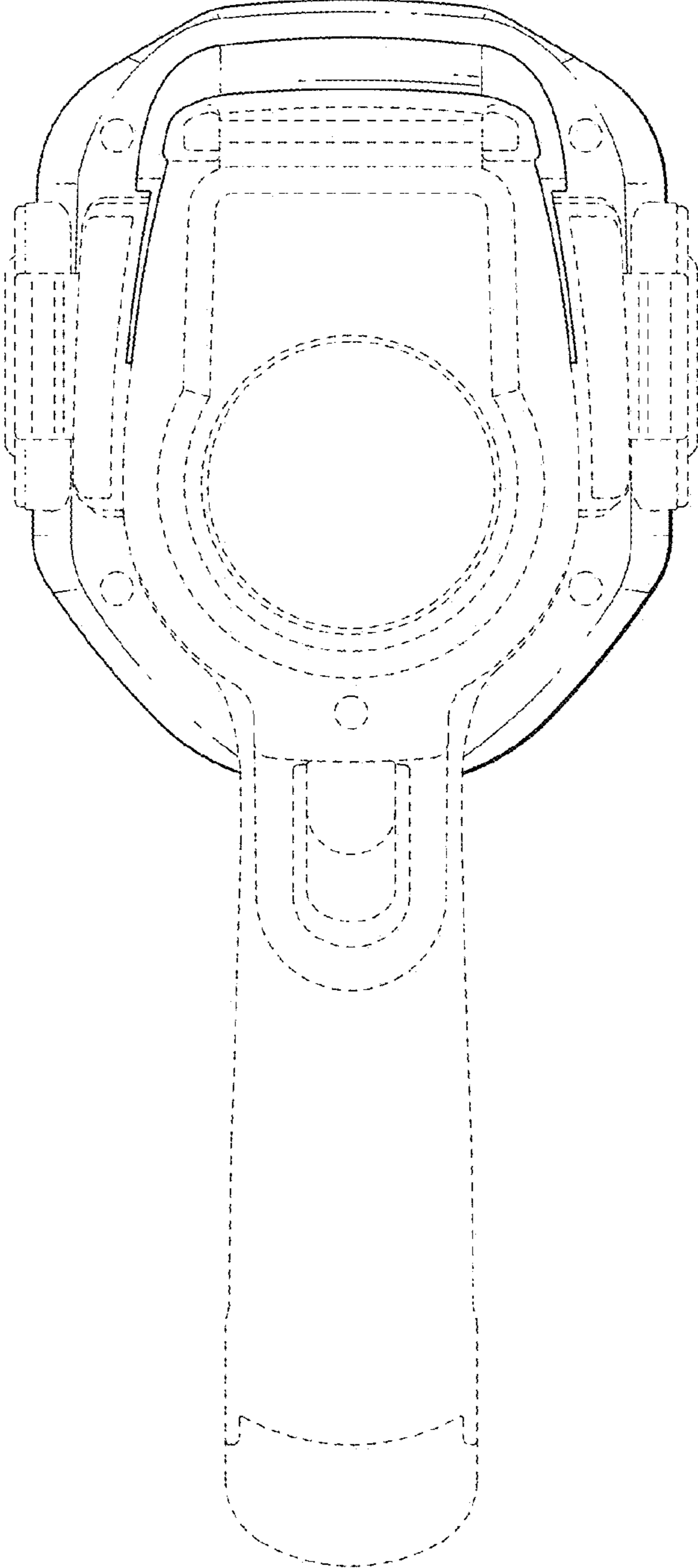


FIG. 3

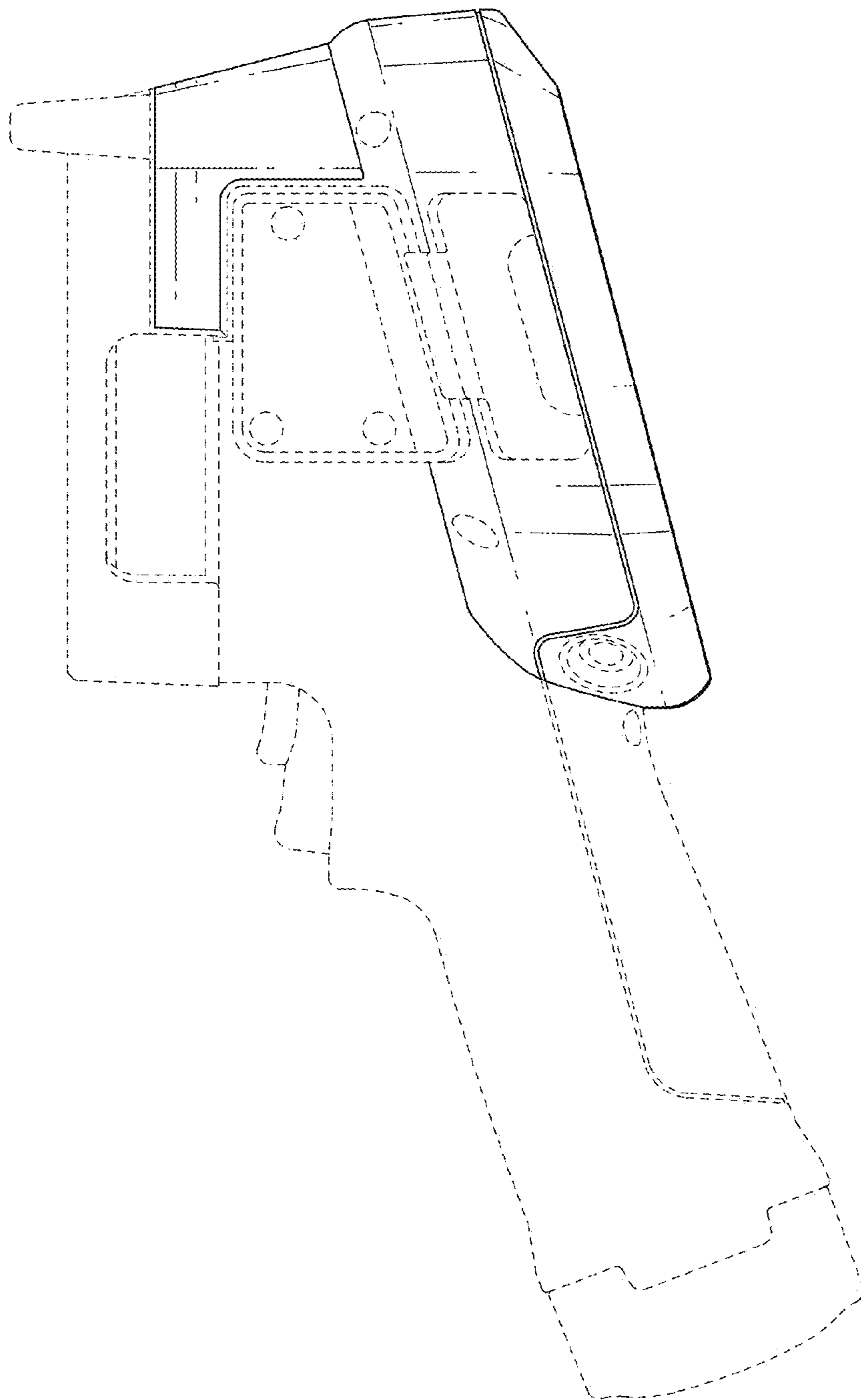


FIG. 4

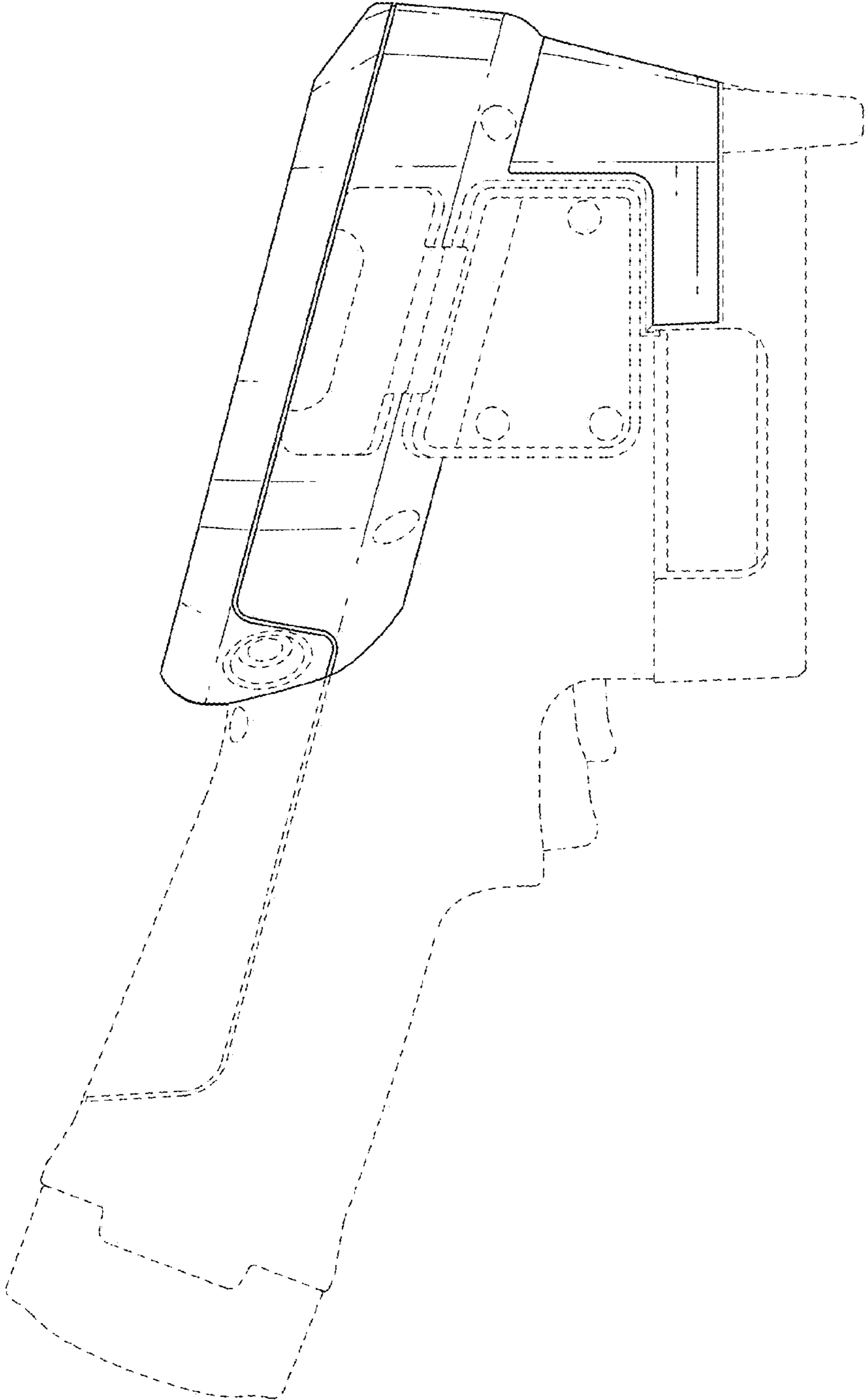


FIG. 5

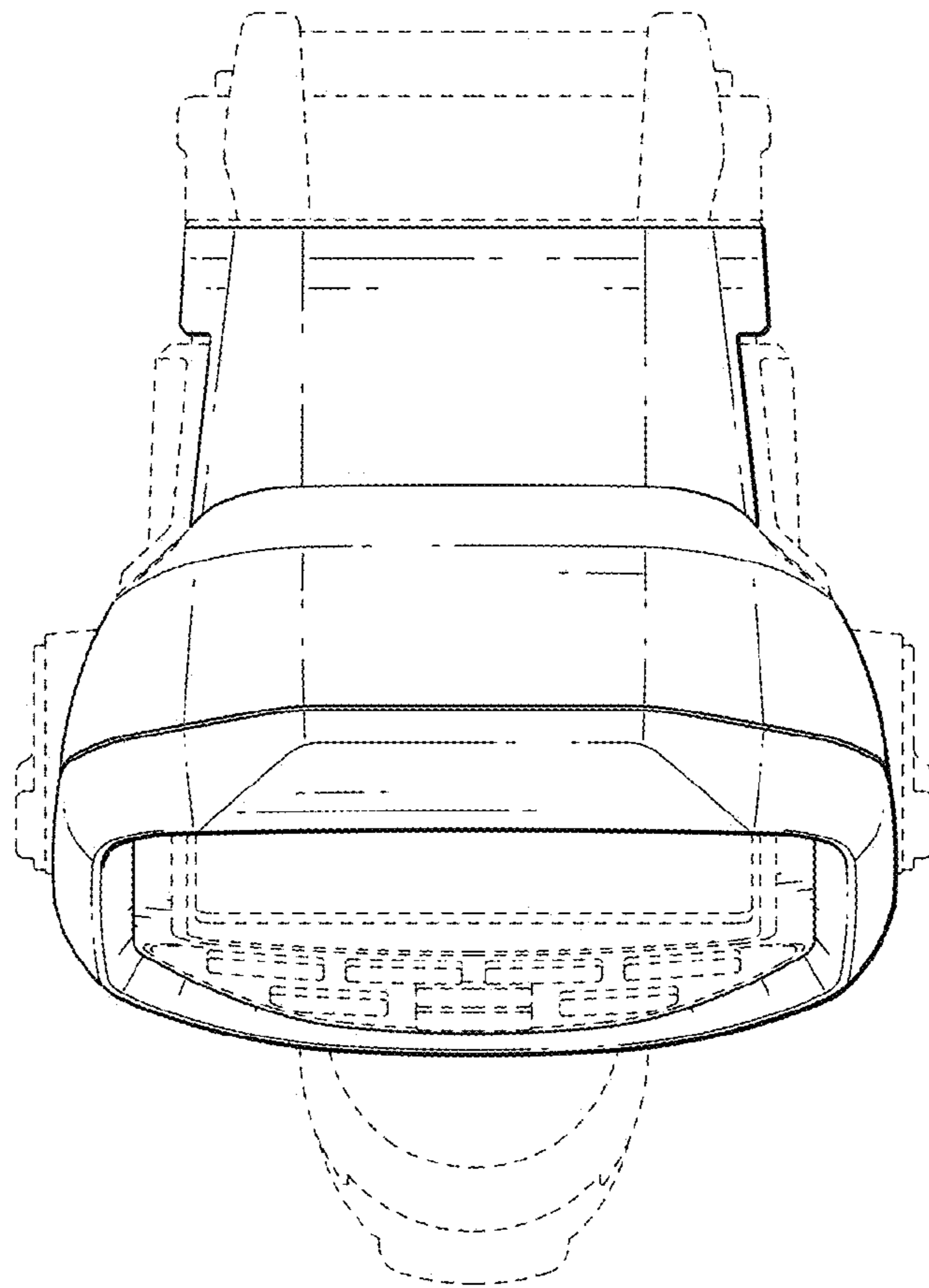


FIG. 6

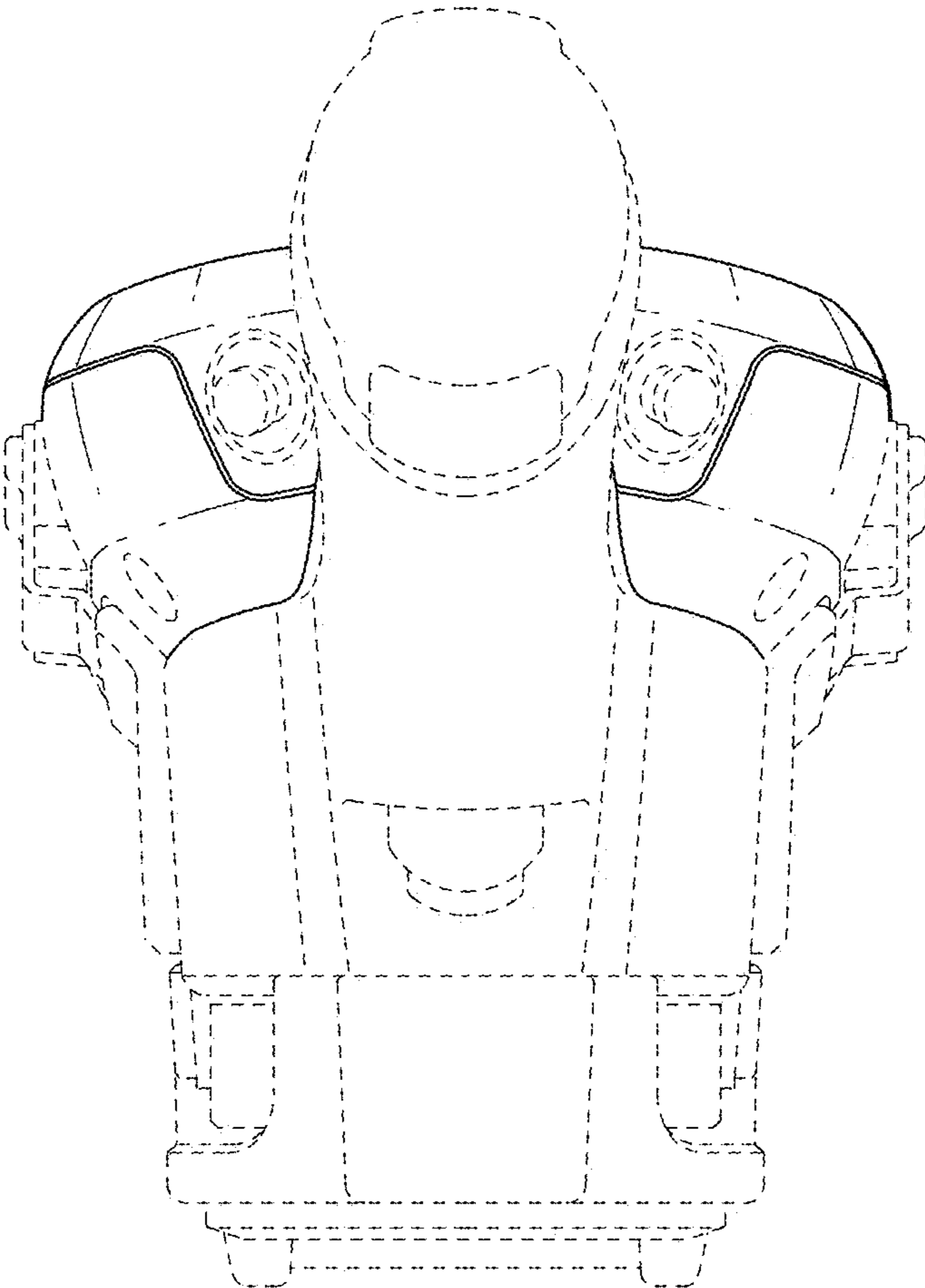


FIG. 7