



US00D727392S

(12) **United States Design Patent**
Fujita et al.

(10) **Patent No.:** **US D727,392 S**
(45) **Date of Patent:** **** Apr. 21, 2015**

(54) **DIGITAL CAMERA**

FOREIGN PATENT DOCUMENTS

(75) Inventors: **Chikara Fujita**, Tokyo (JP); **Tatsuya Kobayashi**, Tokyo (JP)

JP 1448095 8/2012

* cited by examiner

(73) Assignee: **Nikon Corporation**, Tokyo (JP)

Primary Examiner — Adir Aronovich

(**) Term: **14 Years**

Assistant Examiner — Ramzi Almatrahi

(21) Appl. No.: **29/428,053**

(74) *Attorney, Agent, or Firm* — Wolf, Greenfield & Sacks, P.C.

(22) Filed: **Jul. 25, 2012**

(30) **Foreign Application Priority Data**

Jan. 31, 2012 (JP) 2012-001928

Jan. 31, 2012 (JP) 2012-001935

(51) **LOC (10) Cl.** **16-05**

(52) **U.S. Cl.**
USPC **D16/219**

(58) **Field of Classification Search**
CPC G03B 15/03; G03B 17/02; G03B 17/04;
G03B 17/56; G03B 19/04; H04N 5/2251;
H04N 5/2252; H04N 5/2253; H04N 5/2254;
H04N 2101/00
USPC D16/200, 202–206, 208, 212, 218, 219;
D3/267; 348/373–376; 396/535,
396/539–541

See application file for complete search history.

(56) **References Cited**

U.S. PATENT DOCUMENTS

D568,362 S *	5/2008	Horikiri et al.	D16/212
7,929,859 B2 *	4/2011	Saiki	396/543
D669,110 S *	10/2012	Noh	D16/202
D669,928 S *	10/2012	Noh	D16/202
D677,296 S *	3/2013	Fujita et al.	D16/202
D684,203 S *	6/2013	Uemachi	D16/202
D684,204 S *	6/2013	Uemachi	D16/202
D689,111 S *	9/2013	Kobayashi	D16/202
D689,535 S *	9/2013	Nojima	D16/202
D695,329 S *	12/2013	Fujita et al.	D16/202
D702,748 S *	4/2014	Muraki et al.	D16/202

(57) **CLAIM**

The ornamental design for a digital camera, as shown and described.

DESCRIPTION

FIG. 1 is a front perspective view of a digital camera showing our new design;
FIG. 2 is a rear perspective view thereof;
FIG. 3 is a front elevational view thereof;
FIG. 4 is a rear elevational view thereof;
FIG. 5 is a top plan view thereof;
FIG. 6 is a bottom plan view thereof;
FIG. 7 is a right side elevational view thereof; and
FIG. 8 is a left side elevational view thereof;
FIG. 9 is a front perspective view of a second embodiment of a digital camera showing our new design;
FIG. 10 is a rear perspective view thereof;
FIG. 11 is a front elevational view thereof;
FIG. 12 is a rear elevational view thereof;
FIG. 13 is a top plan view thereof;
FIG. 14 is a bottom plan view thereof;
FIG. 15 is a right side elevational view thereof; and
FIG. 16 is a left side elevational view thereof.

The features shown in broken lines in the drawings depict environmental subject matter only and form no part of the claimed design. The dot-dashed lines denote the boundary of the claim, and form no part of the claimed design.

1 Claim, 16 Drawing Sheets

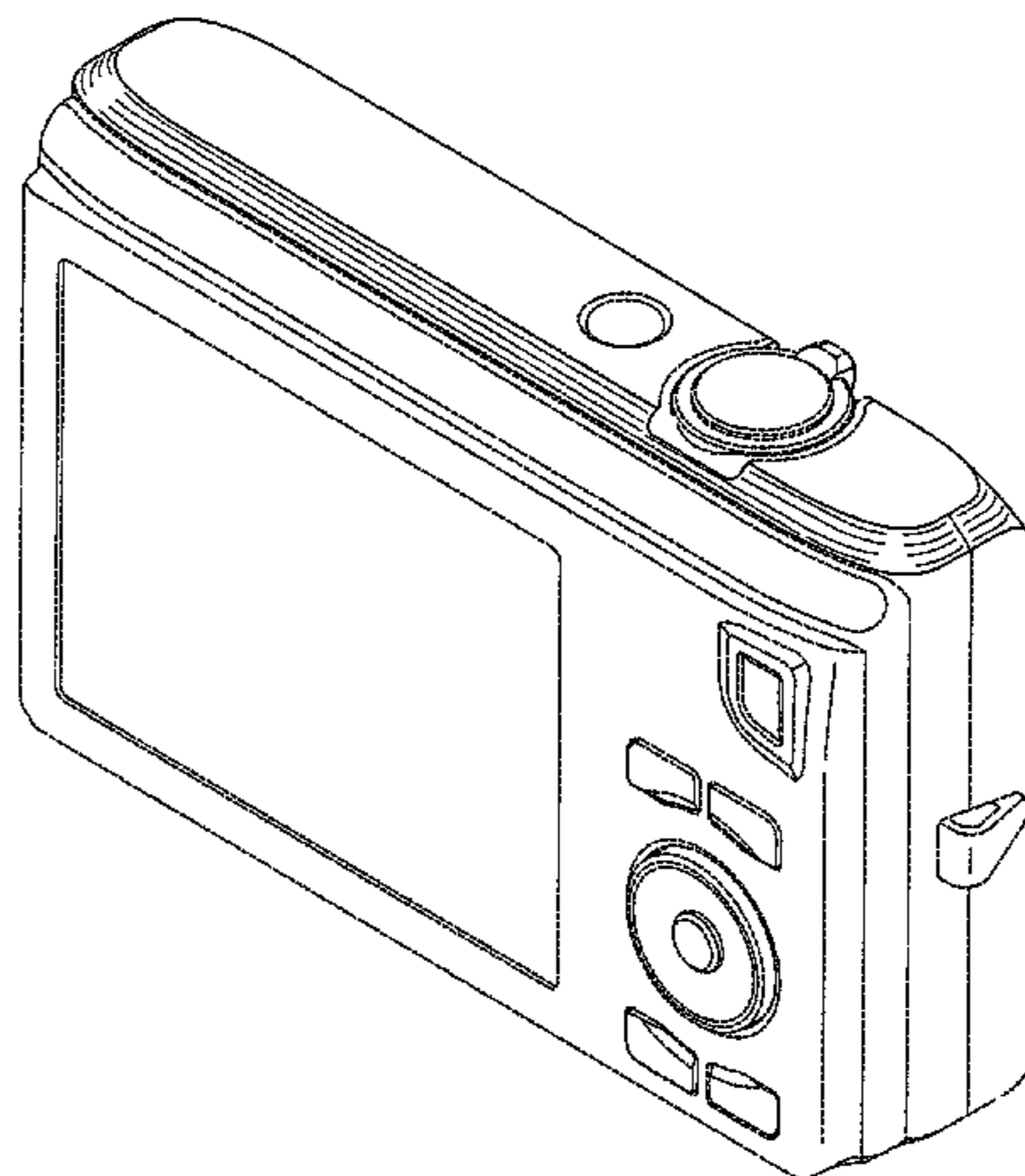
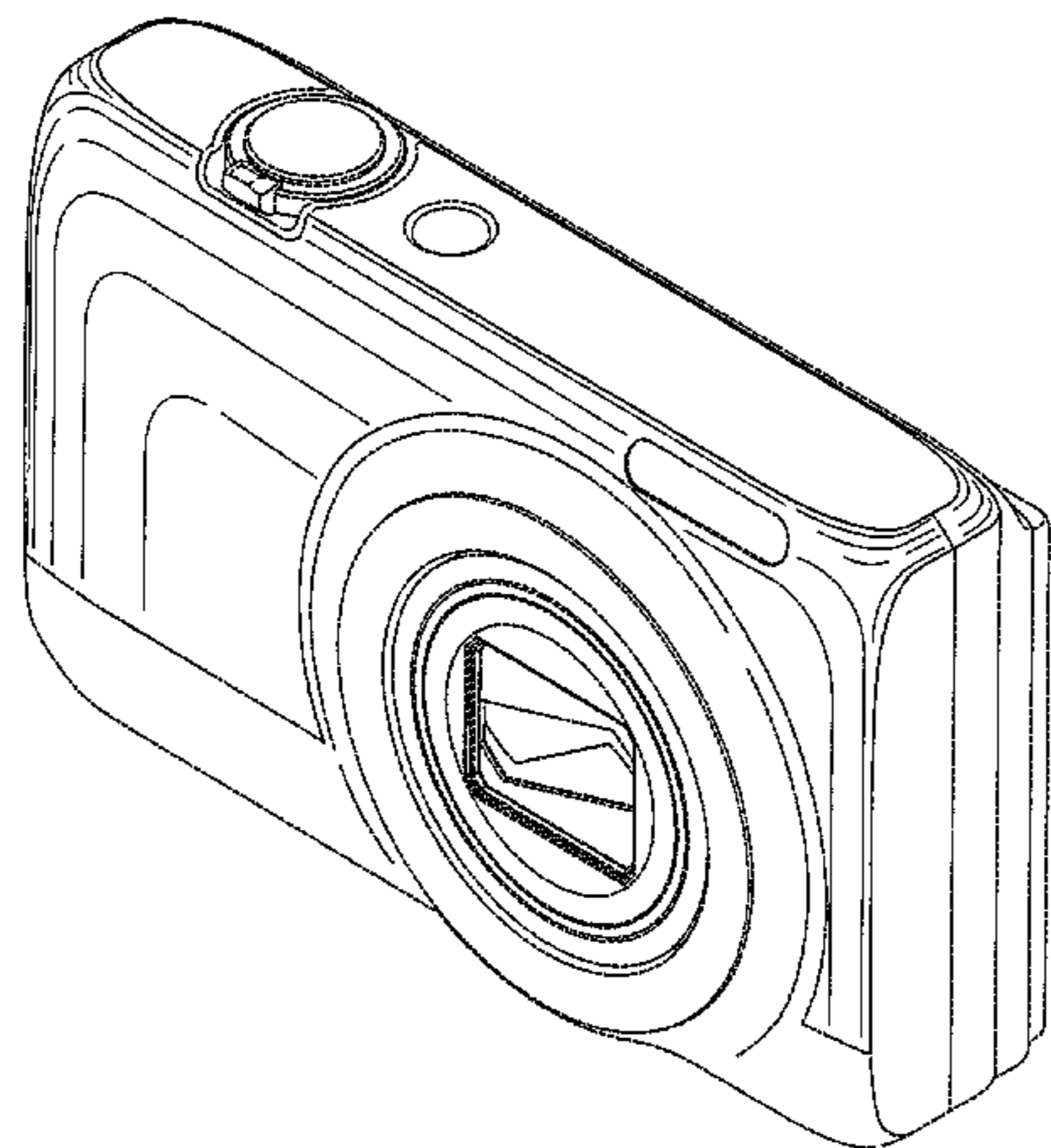


FIG. 1

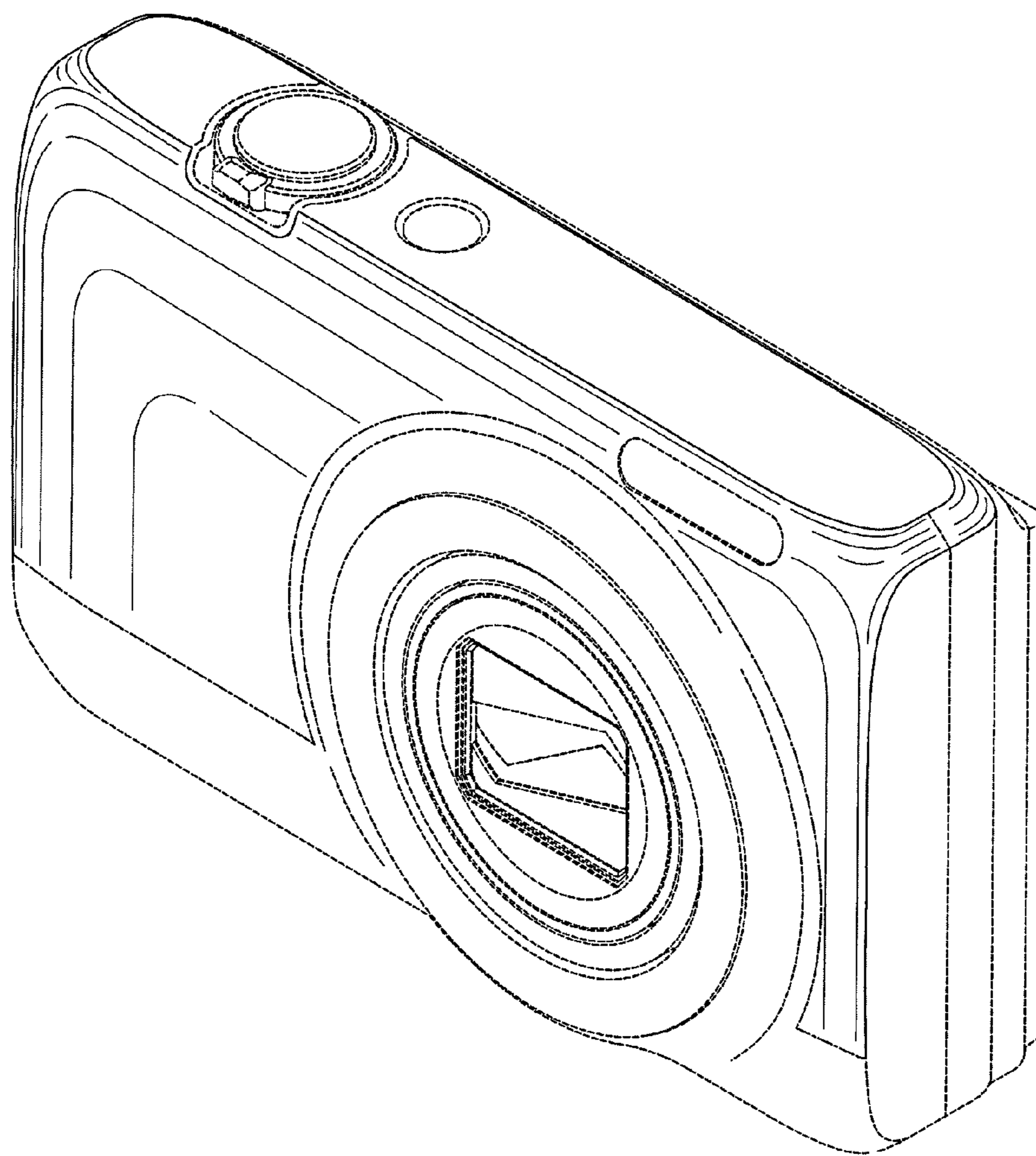


FIG. 2

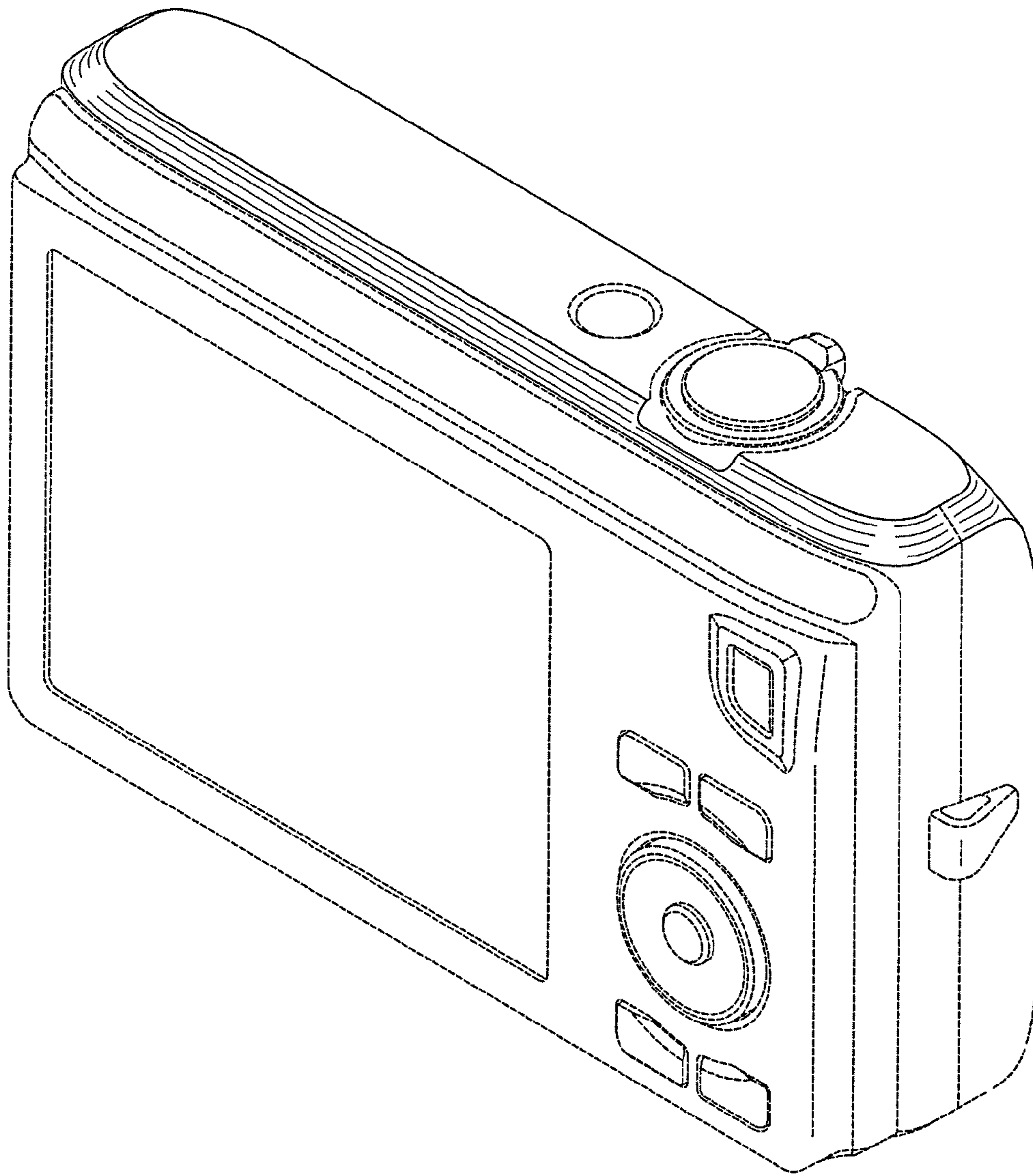


FIG. 3

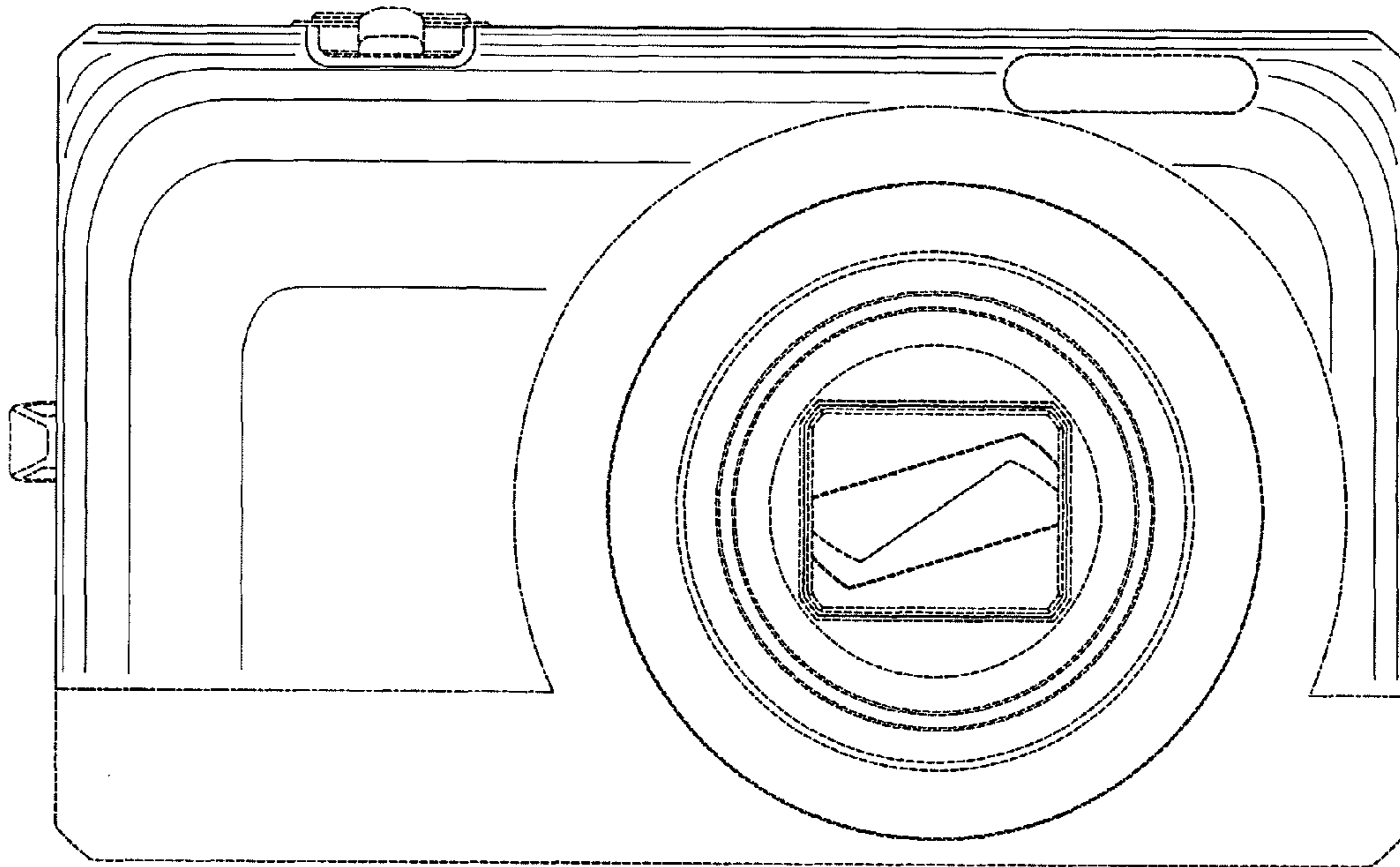


FIG. 4

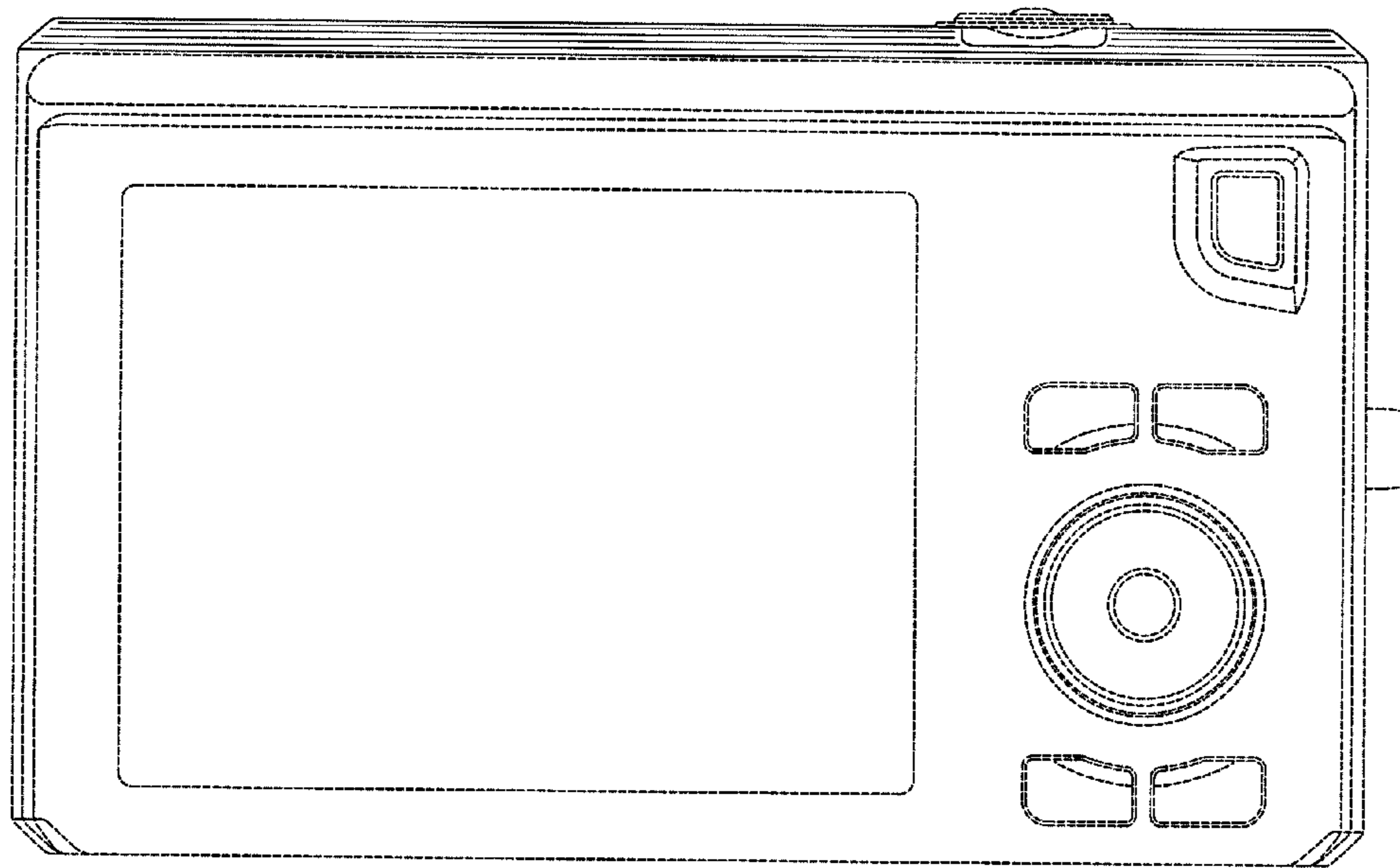


FIG. 5

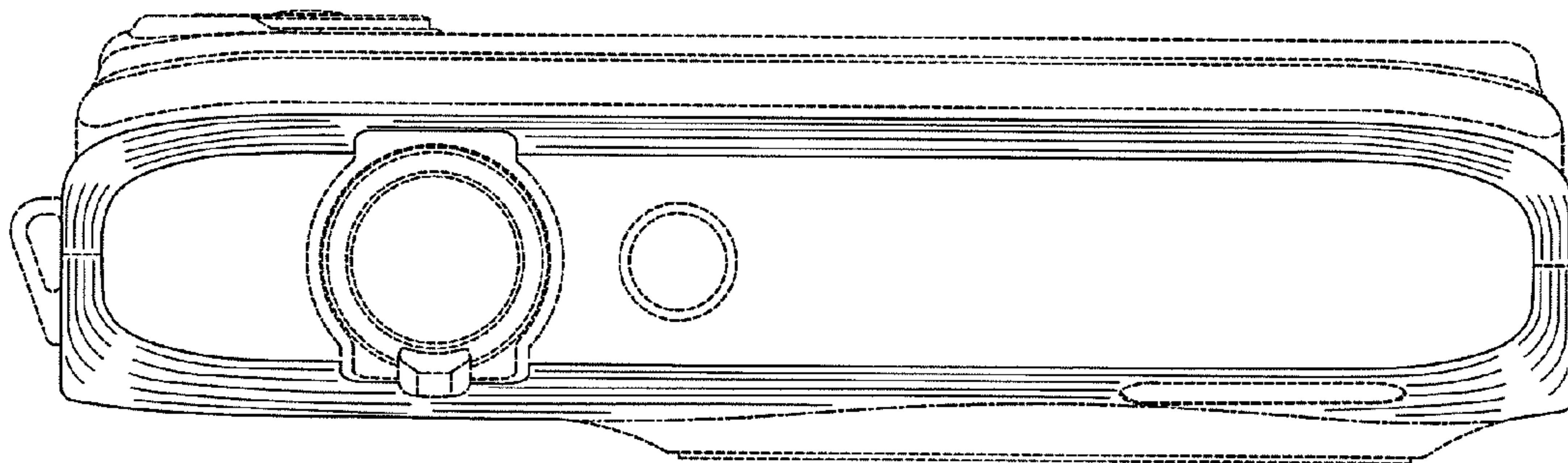


FIG. 6

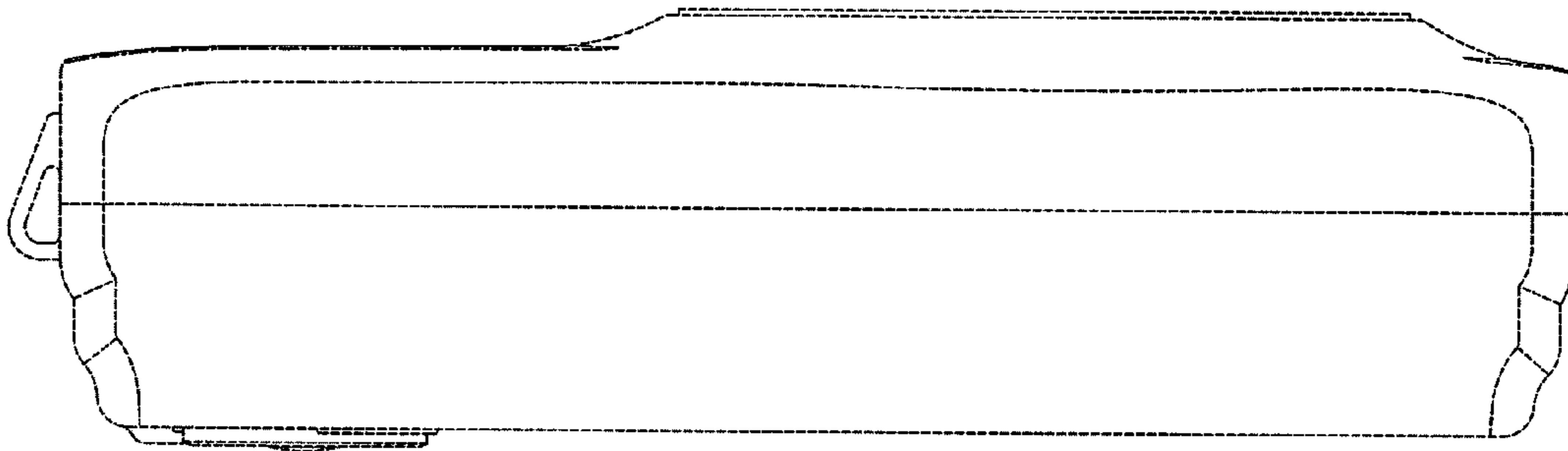


FIG. 7

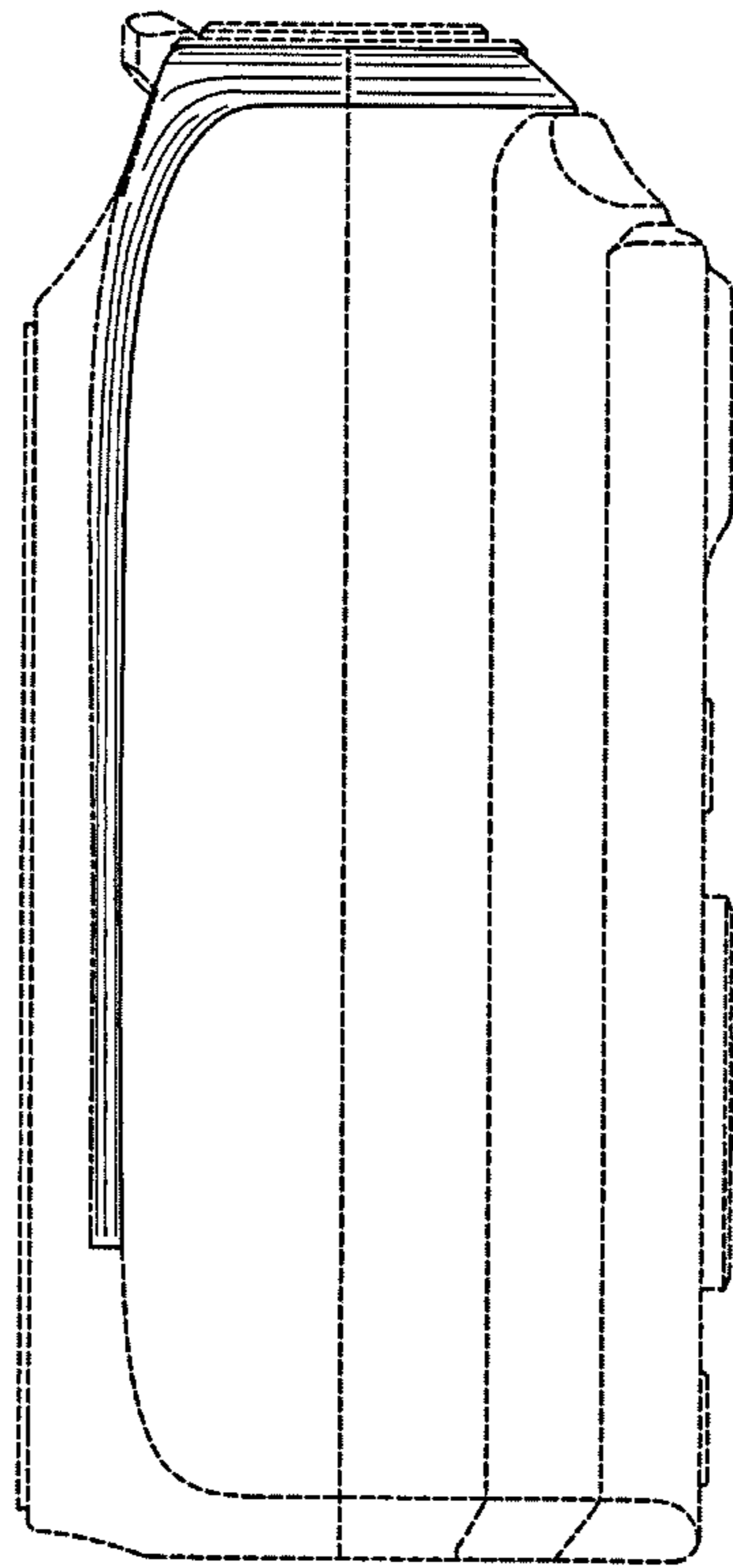


FIG. 8

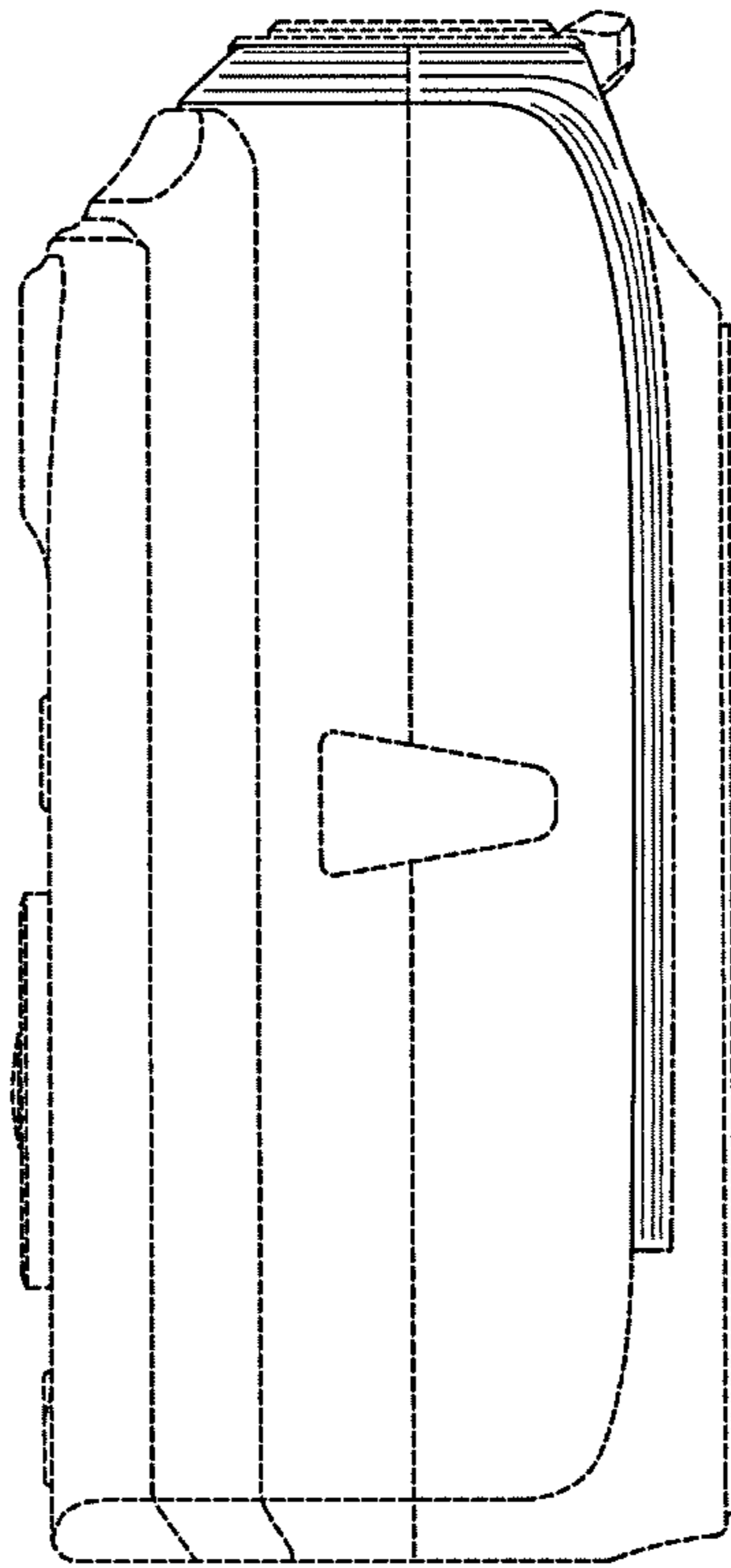


FIG. 9

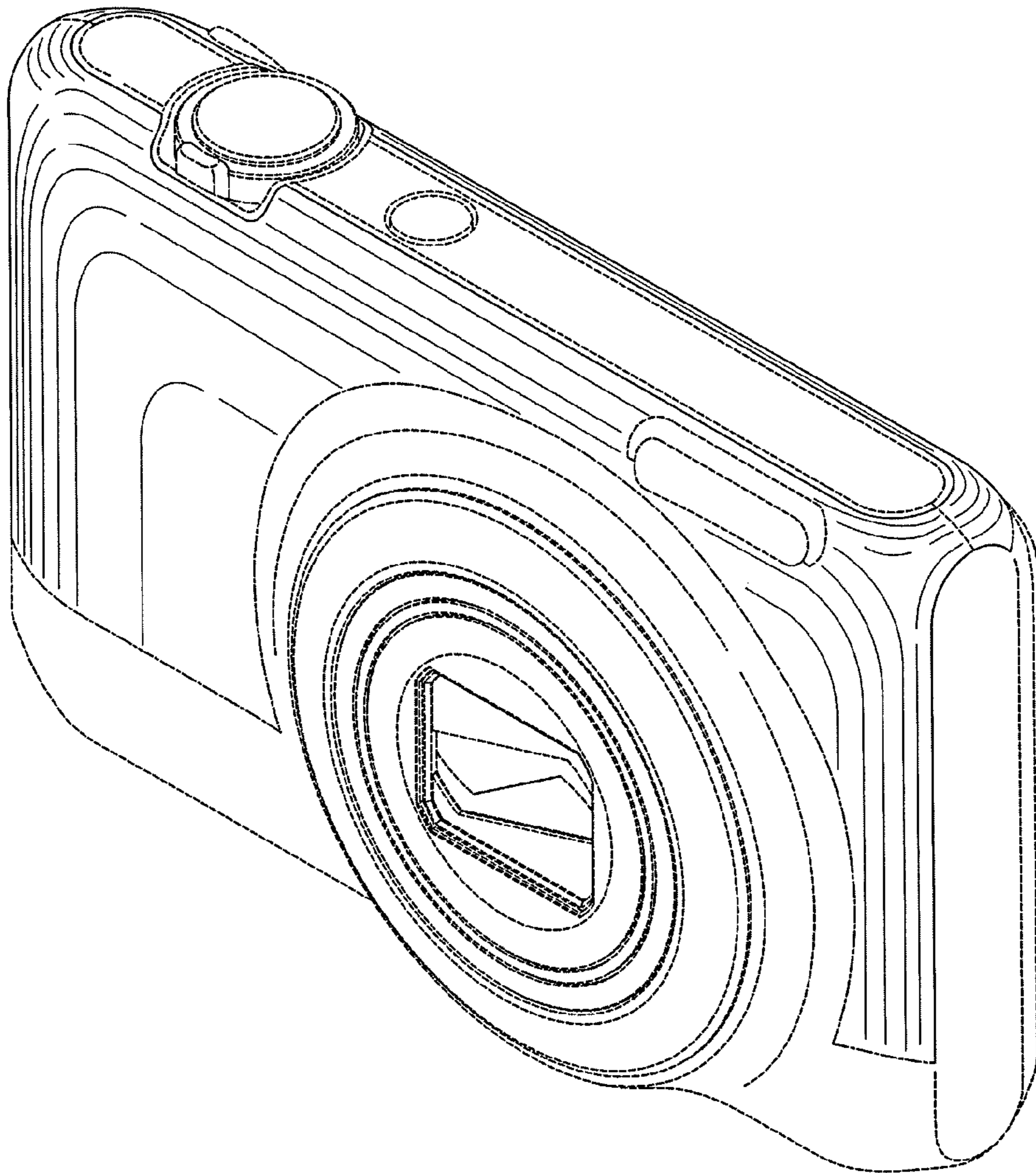


FIG. 10

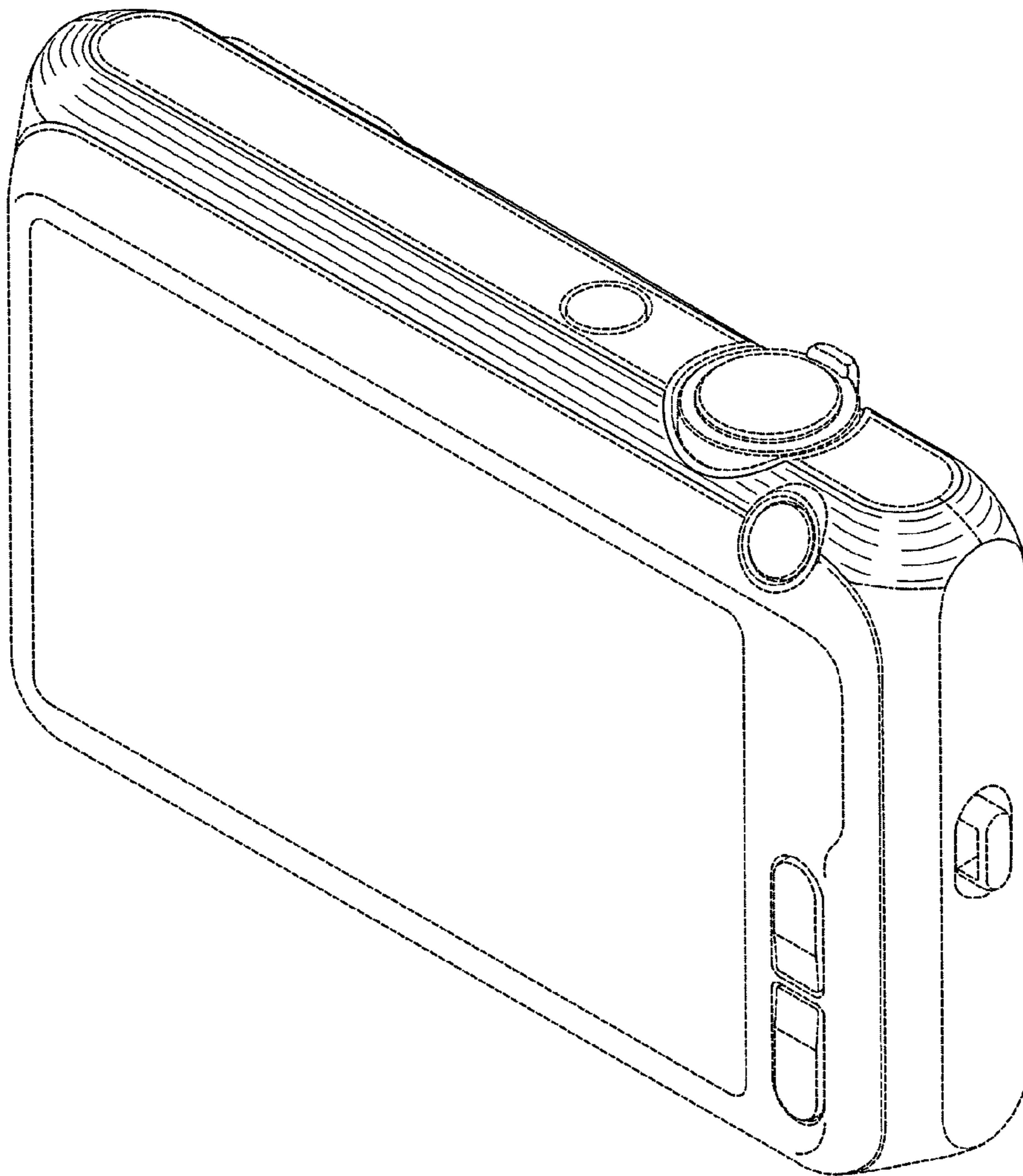


FIG. 11

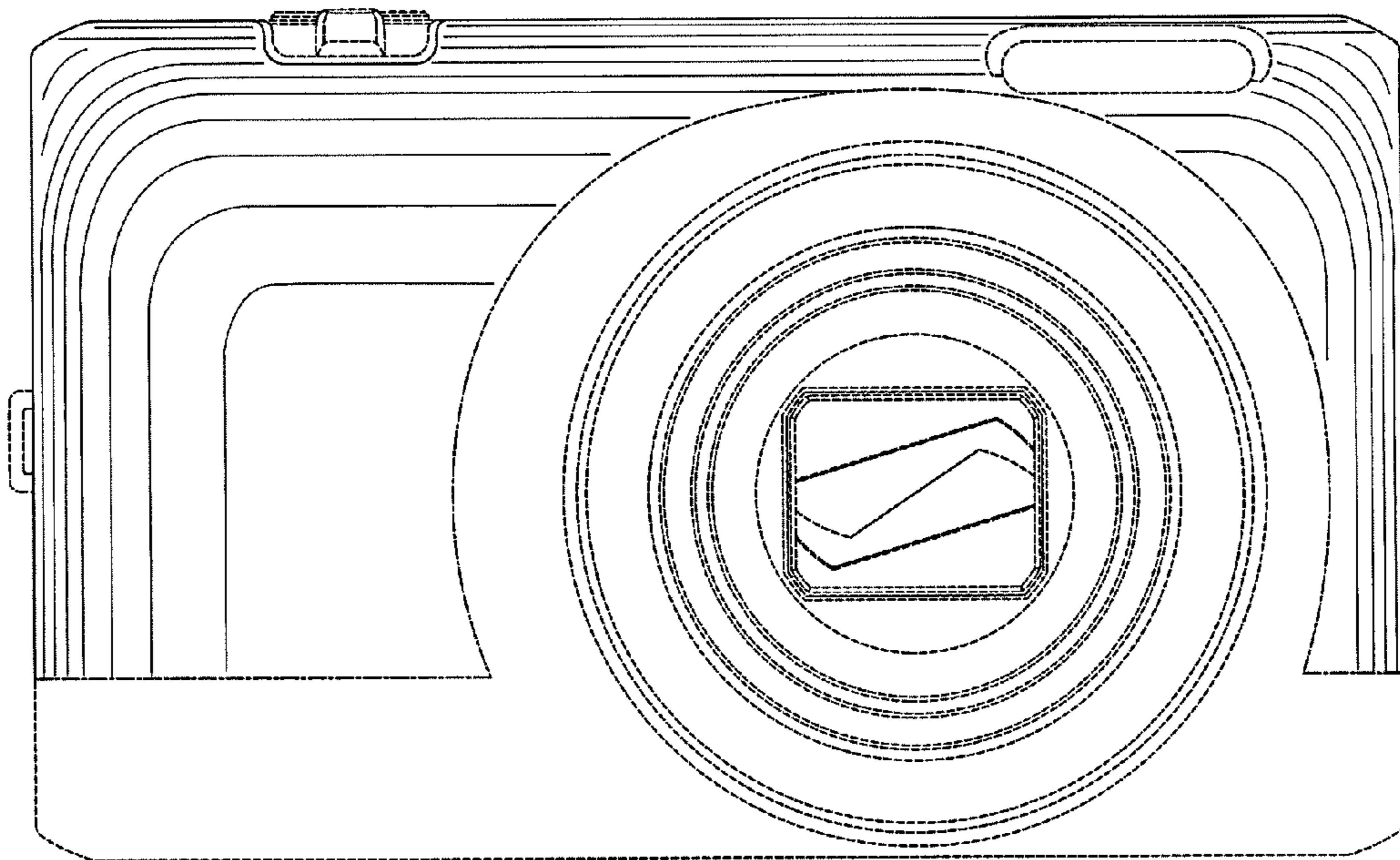


FIG. 12

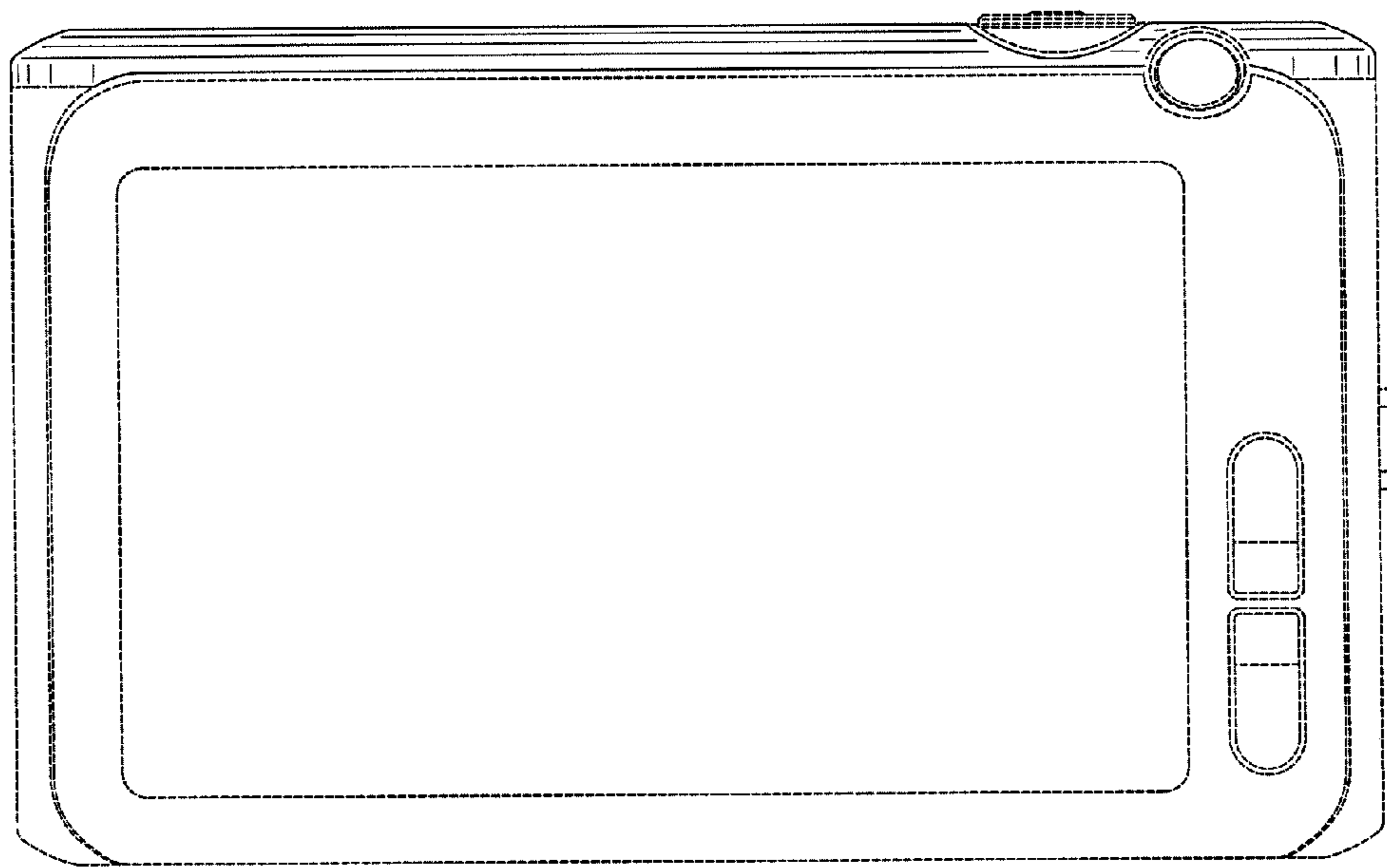


FIG. 13

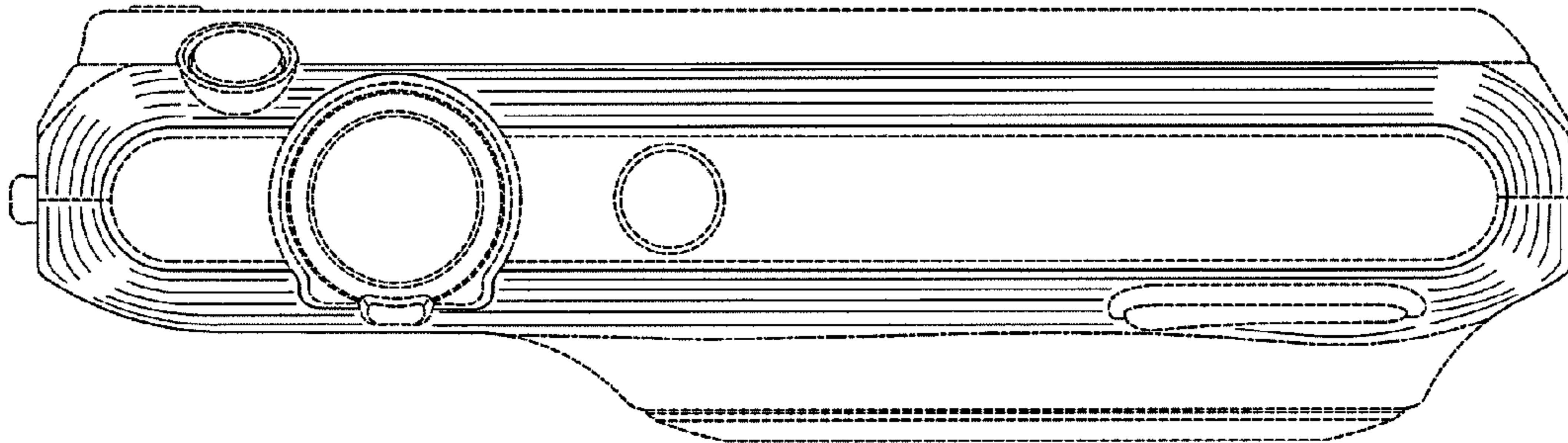


FIG. 14

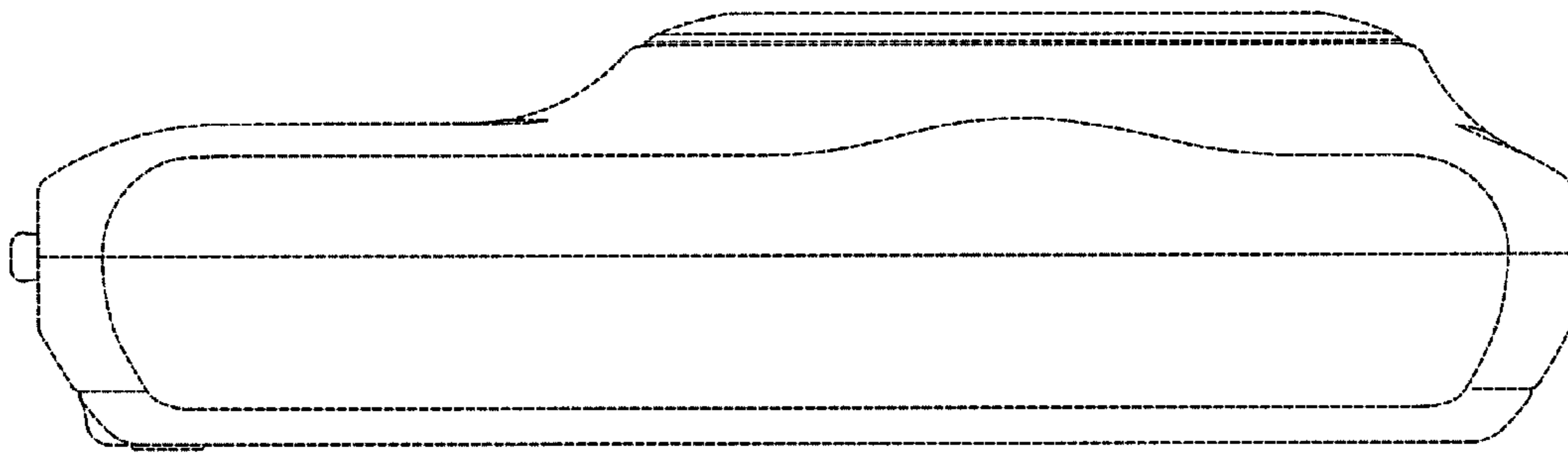


FIG. 15

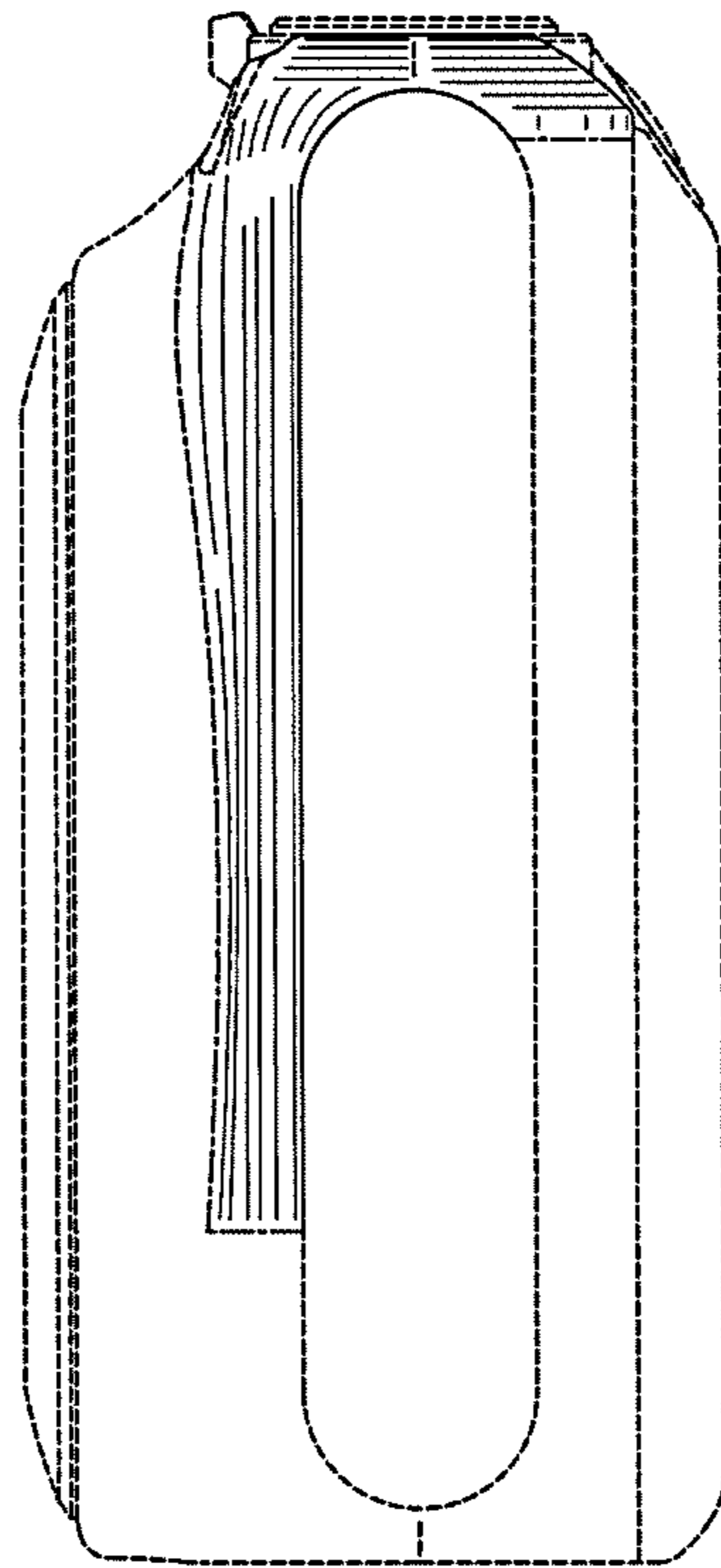


FIG. 16

