

US00D727391S

(12) **United States Design Patent**
Schmidt et al.

(10) **Patent No.:** **US D727,391 S**

(45) **Date of Patent:** **** Apr. 21, 2015**

(54) **CAMERA**

(71) Applicant: **Lyve Minds, Inc.**, Cupertino, CA (US)

(72) Inventors: **Peter O. Schmidt**, San Jose, CA (US);
Mihnea Calin Pacurariu, Los Gatos,
CA (US); **David Hoenig**, Cupertino, CA
(US); **Andreas von Sneidern**, San Jose,
CA (US); **Jeanette Marie Numbers**,
Providence, RI (US); **Gregor**
Mittersinker, Warwick, RI (US)

(73) Assignee: **Lyve Minds, Inc.**, Cupertino, CA (US)

(**) Term: **14 Years**

(21) Appl. No.: **29/478,370**

(22) Filed: **Jan. 3, 2014**

(51) **LOC (10) Cl.** **16-01**

(52) **U.S. Cl.**
USPC **D16/218**

(58) **Field of Classification Search**

CPC G03B 15/03; G03B 17/02; G03B 17/04;
G03B 17/56; G03B 19/04; H04N 5/2251;
H04N 5/2252; H04N 5/2254; H04N 2101/00
USPC D16/200, 202–208, 210, 218, 219;
348/143, 148, 151, 373–376; 396/419,
396/427, 535–541

See application file for complete search history.

(56) **References Cited**

U.S. PATENT DOCUMENTS

D460,773 S * 7/2002 Arbuckle et al. D16/203
6,637,952 B2 * 10/2003 Arbuckle et al. 396/427

D484,159 S *	12/2003	Cheng	D16/203
D528,576 S *	9/2006	Chung et al.	D16/202
D529,528 S *	10/2006	Ross et al.	D16/200
D551,275 S *	9/2007	Kim	D16/203
D556,234 S *	11/2007	Pena Angarita	D16/203
D582,460 S *	12/2008	Yoo et al.	D16/203
D600,731 S *	9/2009	Lee et al.	D16/203
D621,435 S *	8/2010	Green et al.	D16/219
D629,435 S *	12/2010	Barley et al.	D16/202
D631,495 S *	1/2011	Lee et al.	D16/202
D638,870 S *	5/2011	Kim et al.	D16/202
D640,721 S *	6/2011	Satine	D16/204
D687,875 S *	8/2013	Sasaki	D16/202
D694,797 S *	12/2013	Parker	D16/203
2007/0223915 A1 *	9/2007	Yi	396/535

* cited by examiner

Primary Examiner — Adir Aronovich

Assistant Examiner — Ramzi Almatrahi

(74) *Attorney, Agent, or Firm* — Maschoff Brennan

(57) **CLAIM**

The ornamental design for a camera, as shown and described.

DESCRIPTION

FIG. 1 is a front perspective view of a camera showing our new design;

FIG. 2 is a rear perspective view thereof;

FIG. 3 is a left side elevation view thereof;

FIG. 4 is a front elevation view thereof;

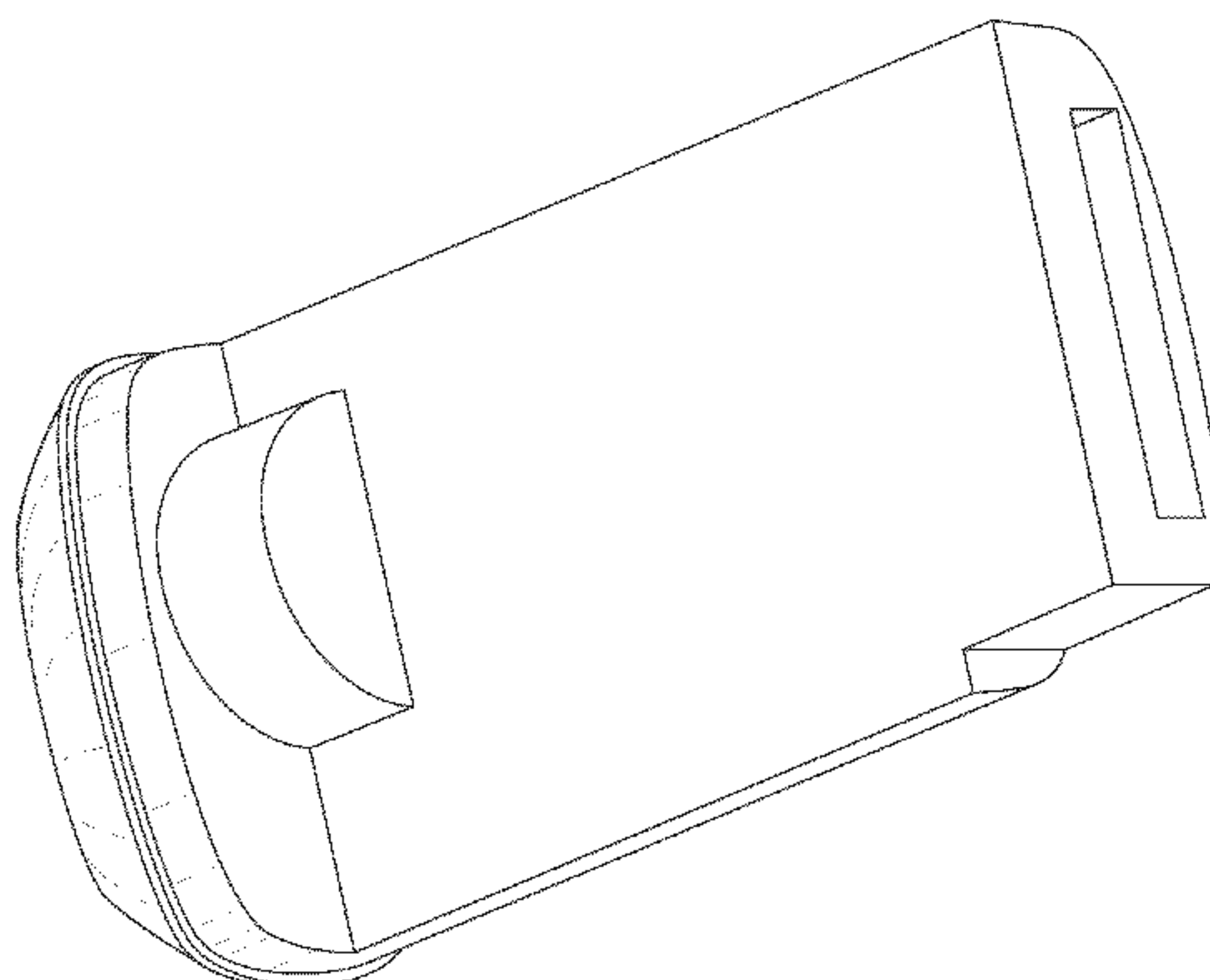
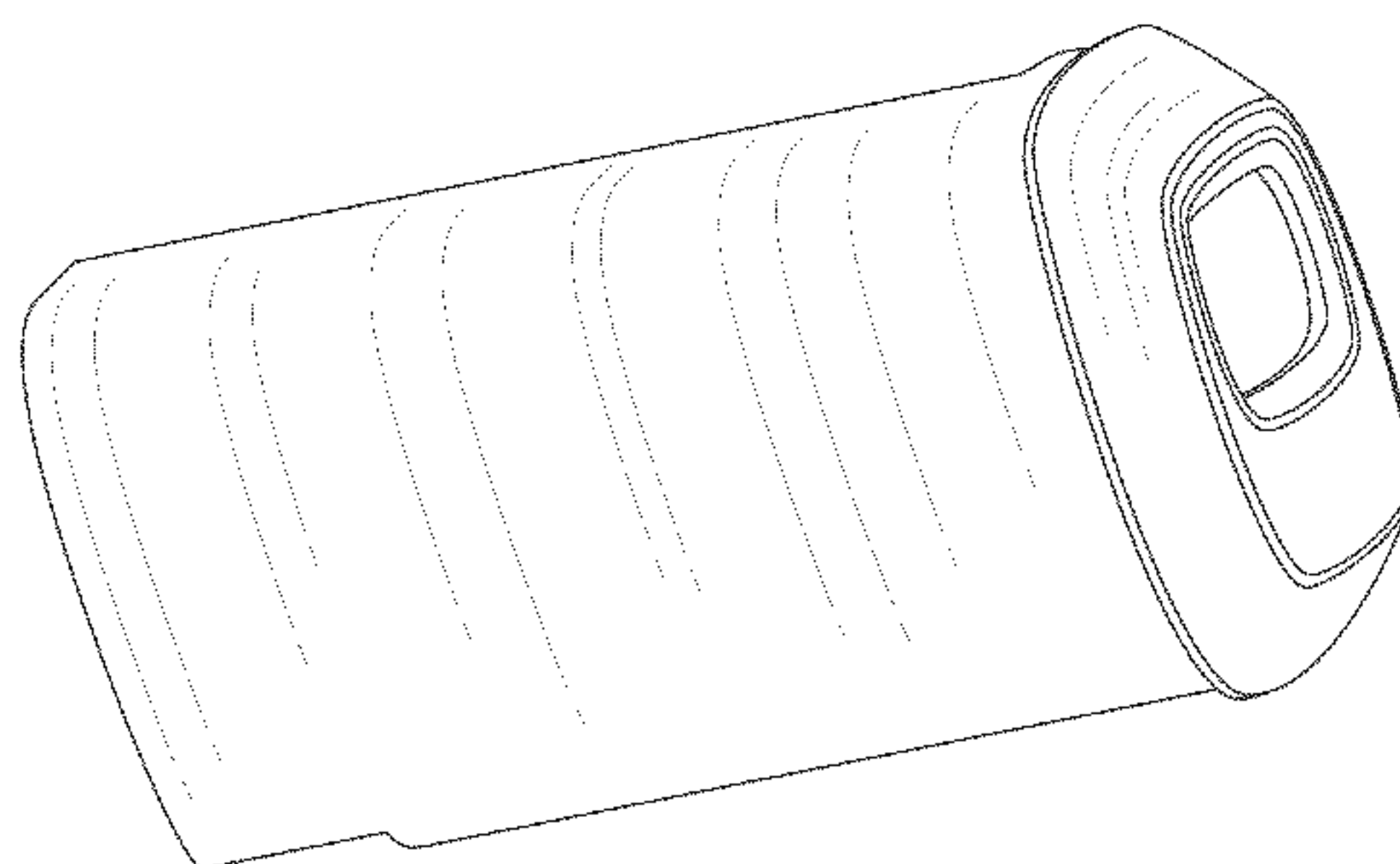
FIG. 5 is a right side elevation view thereof;

FIG. 6 is a rear elevation view thereof;

FIG. 7 is a top plan view thereof; and,

FIG. 8 is a bottom plan view thereof.

1 Claim, 5 Drawing Sheets



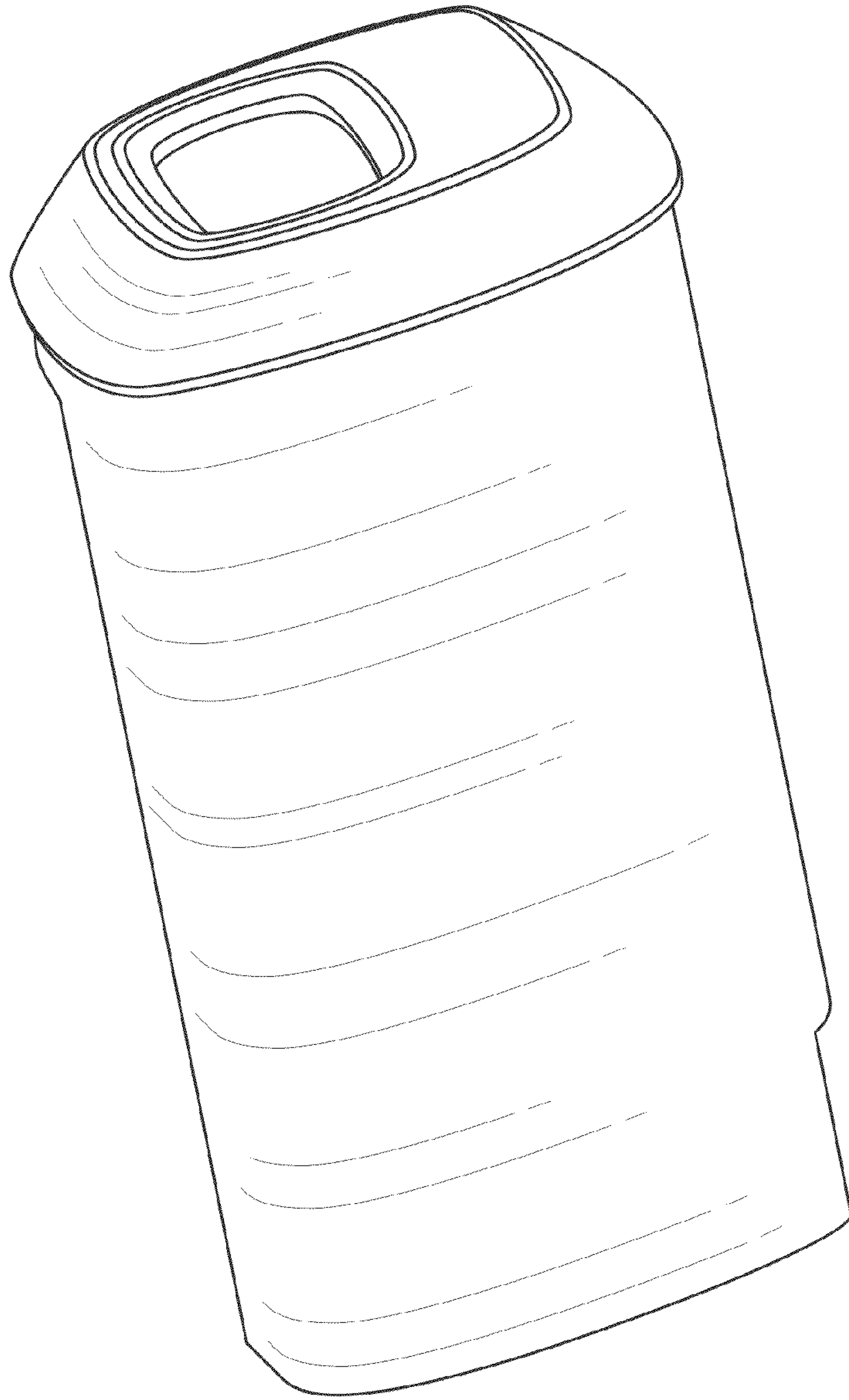


Fig. 1

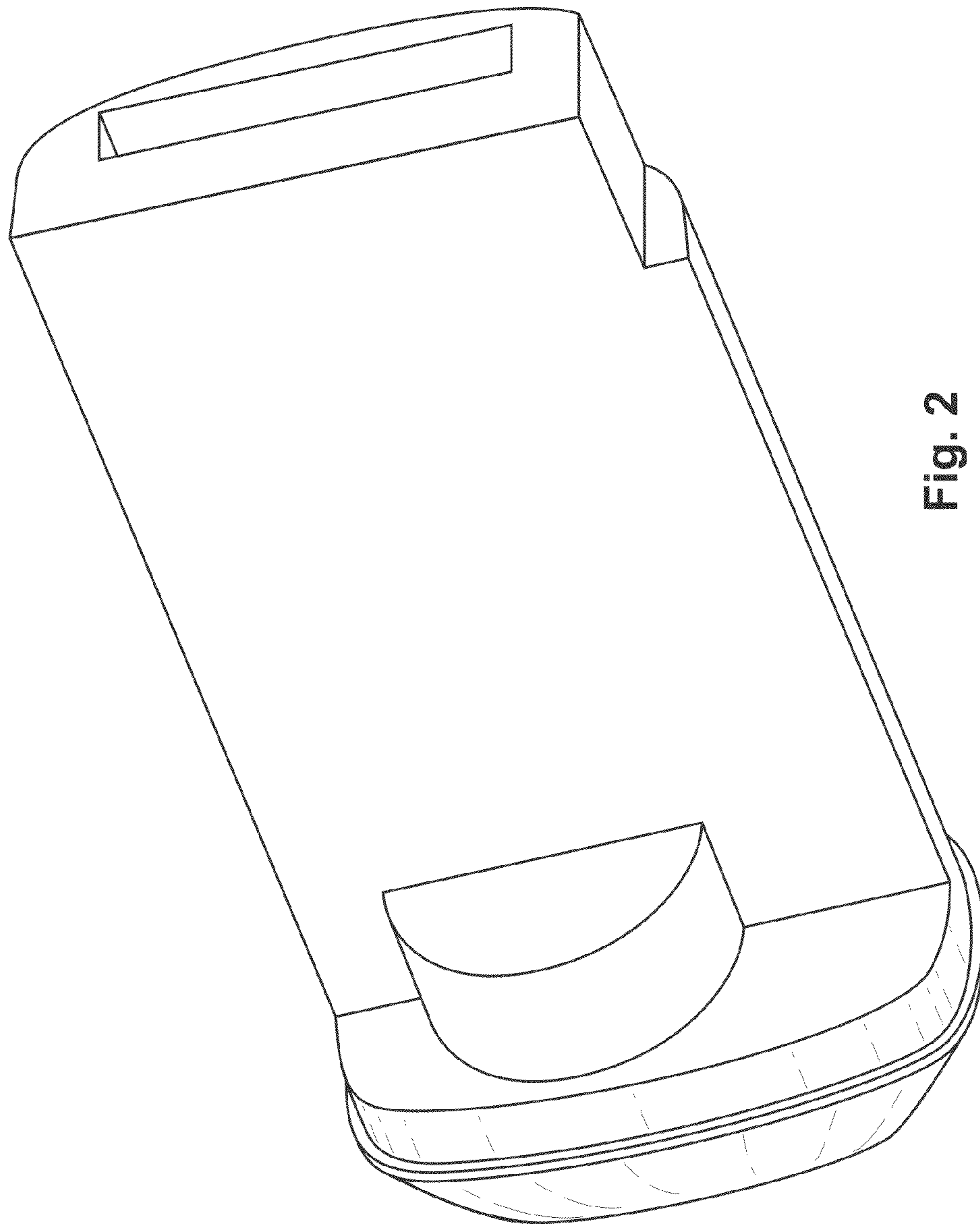


Fig. 2

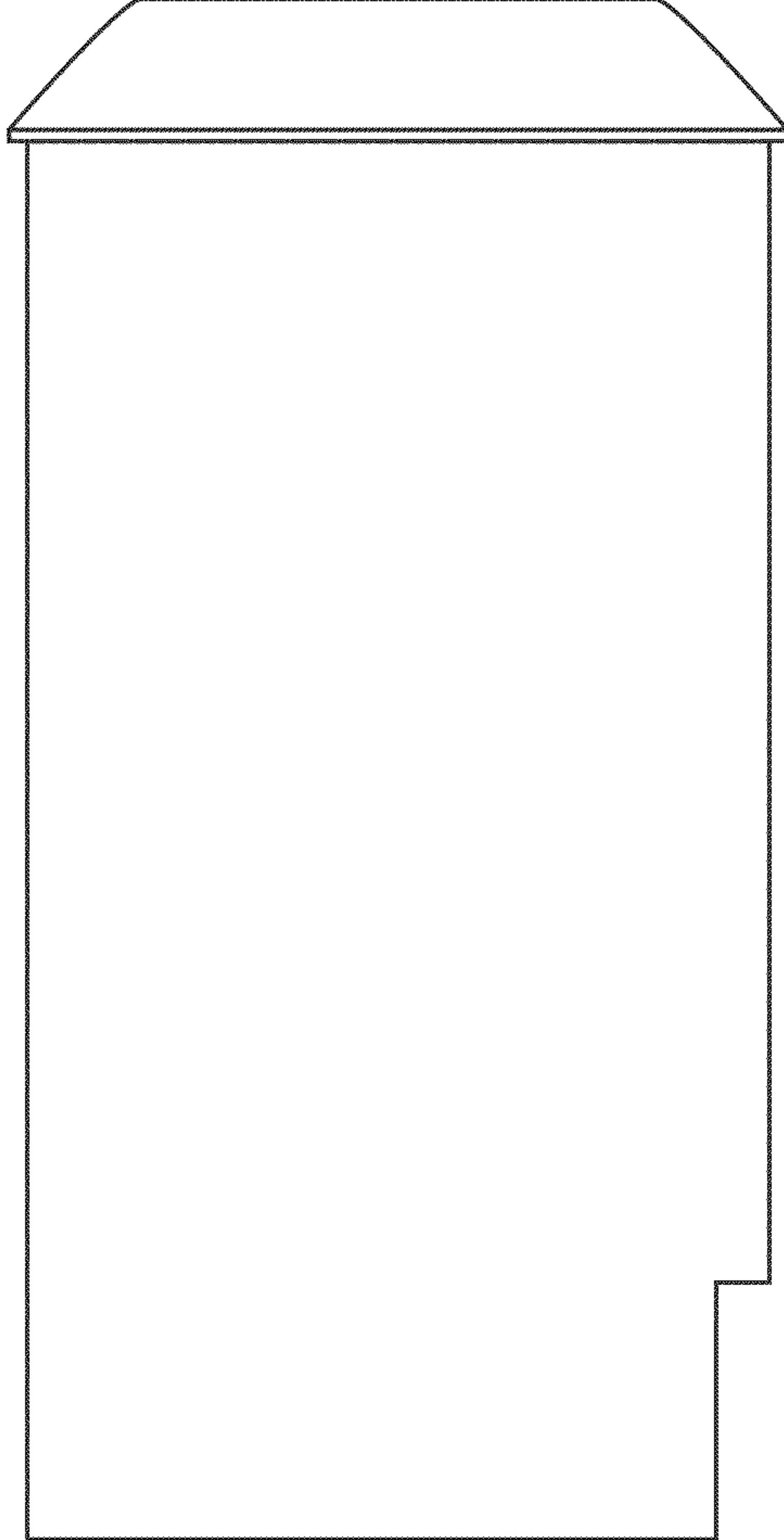


Fig. 4

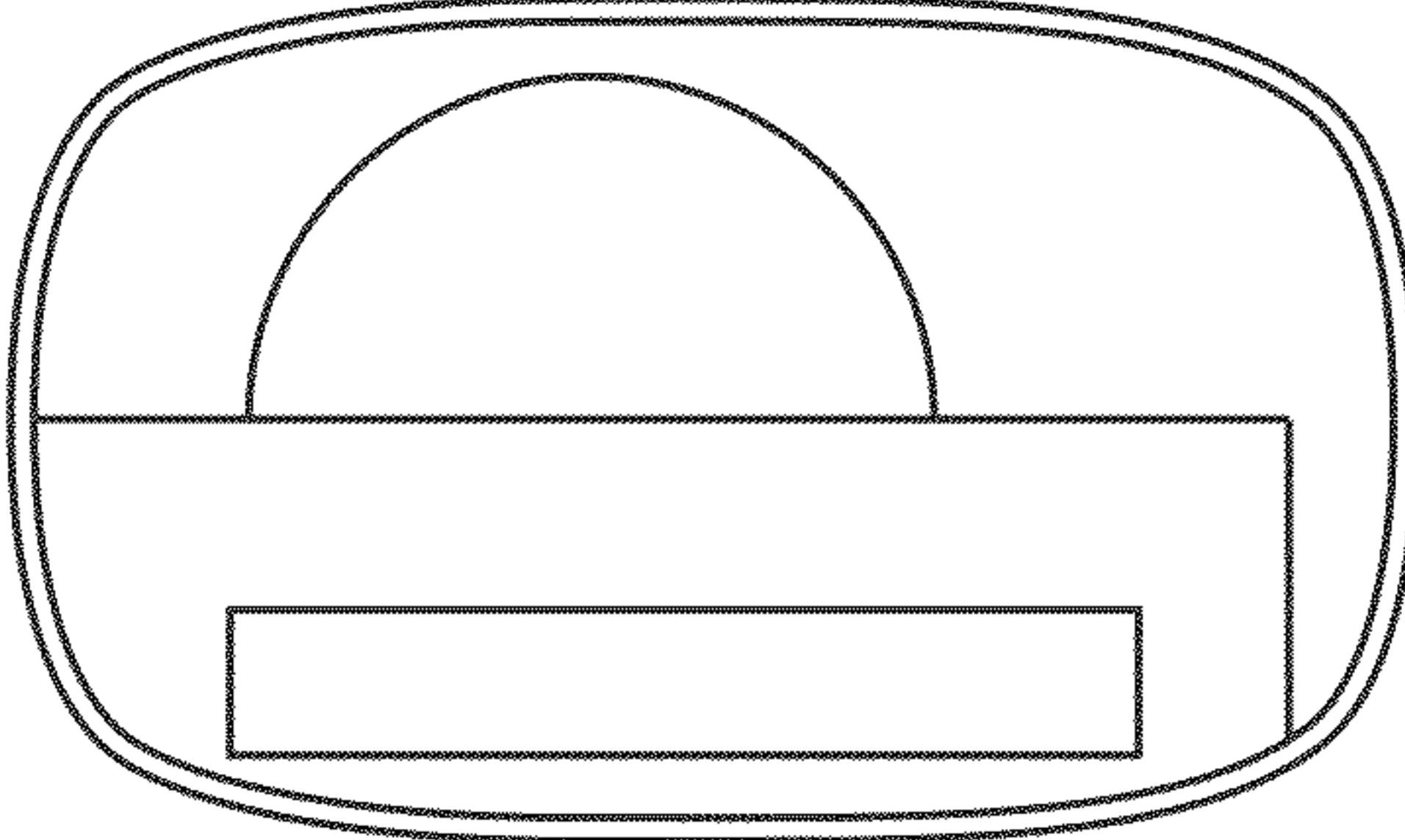


Fig. 3

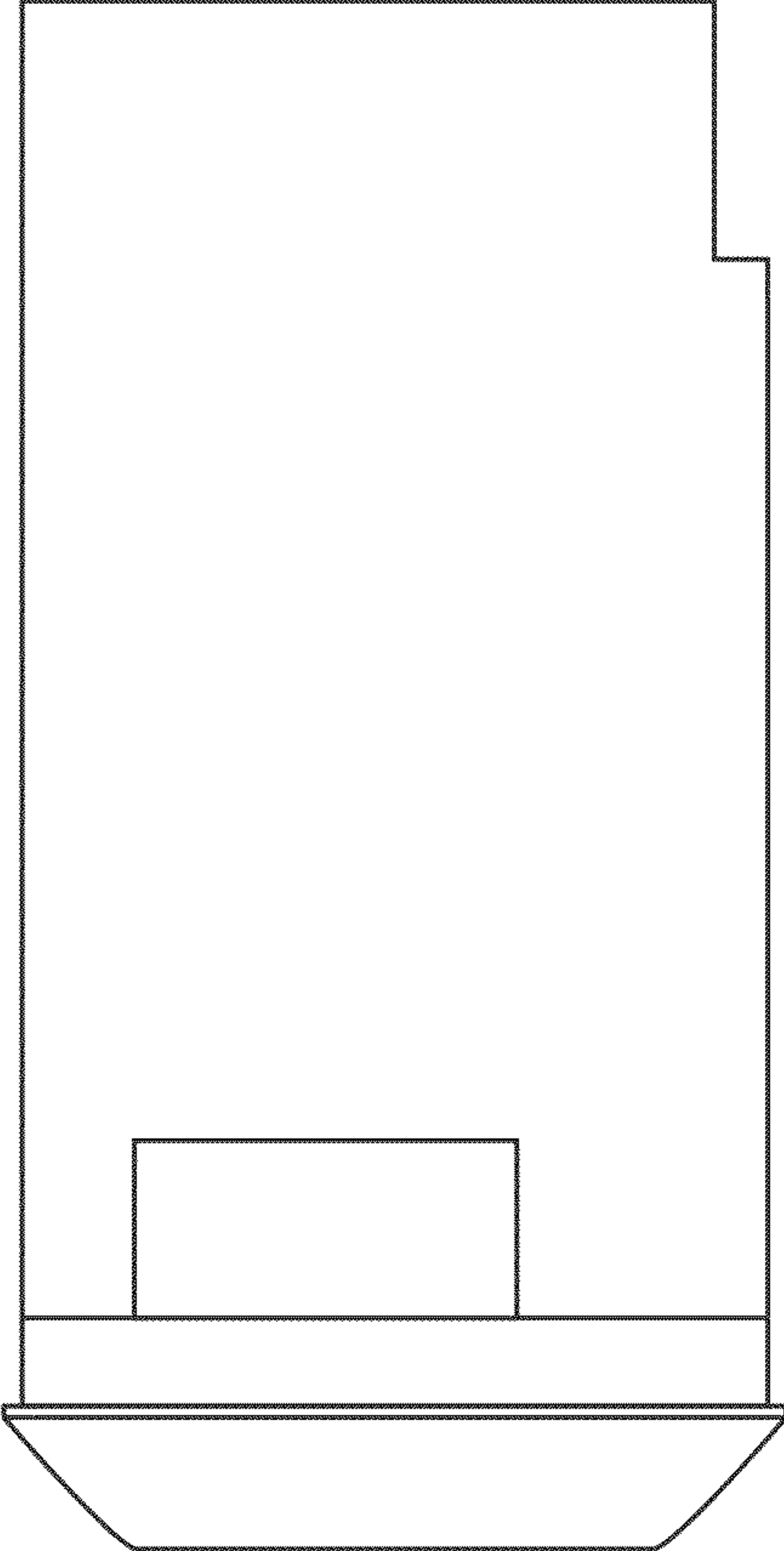


Fig. 5

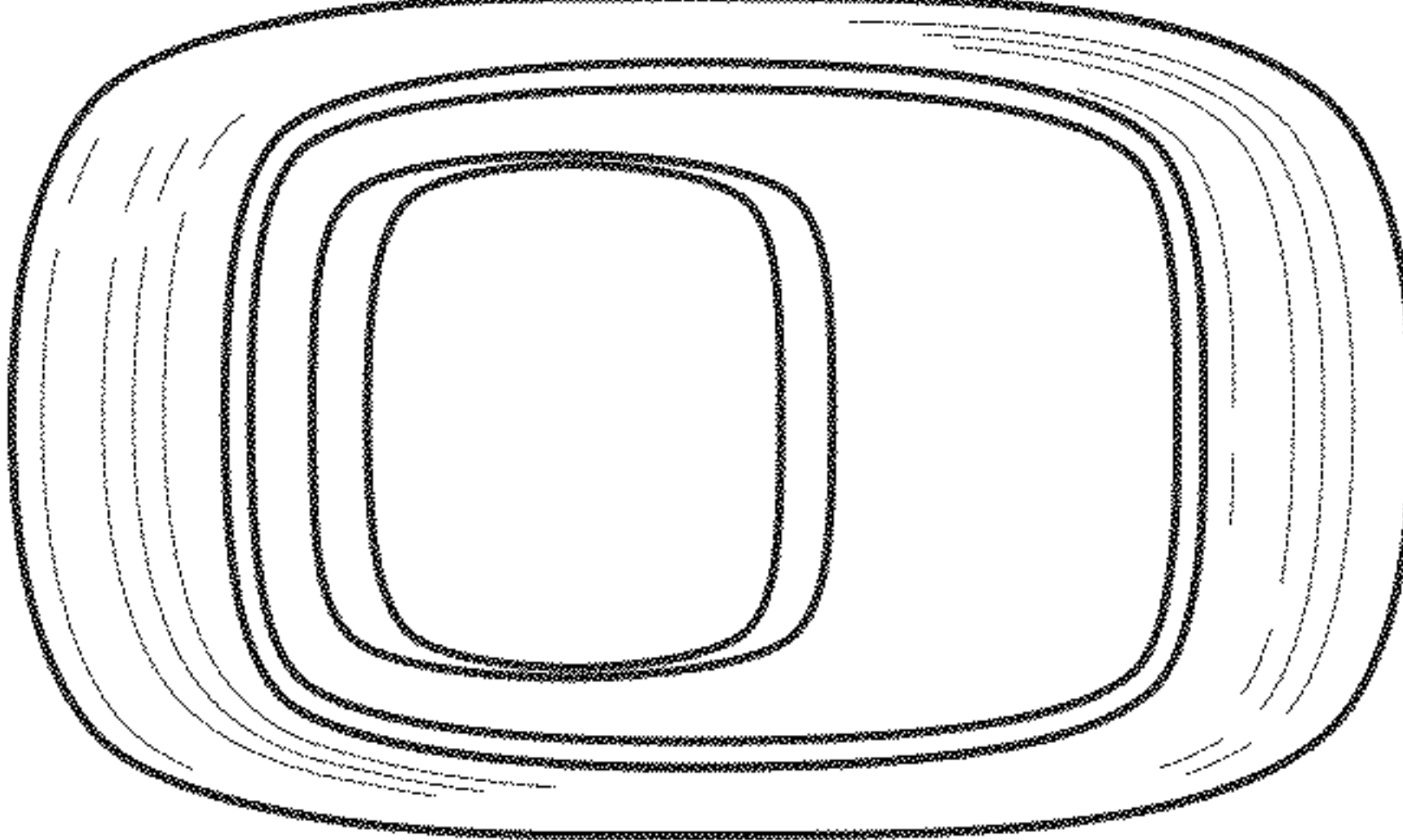


Fig. 6

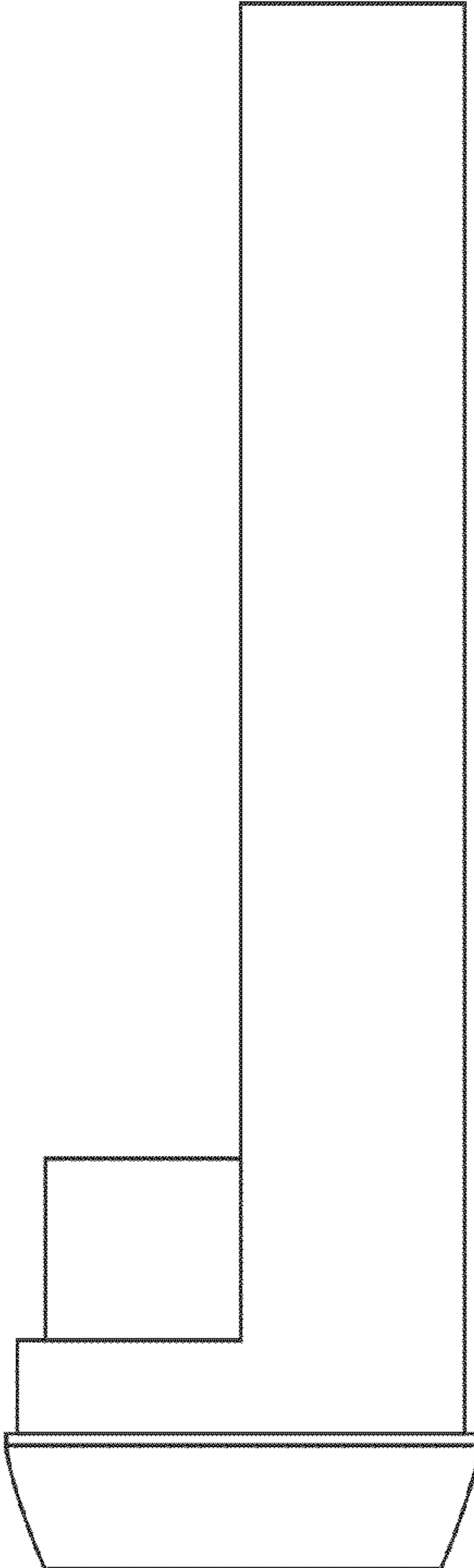


Fig. 7

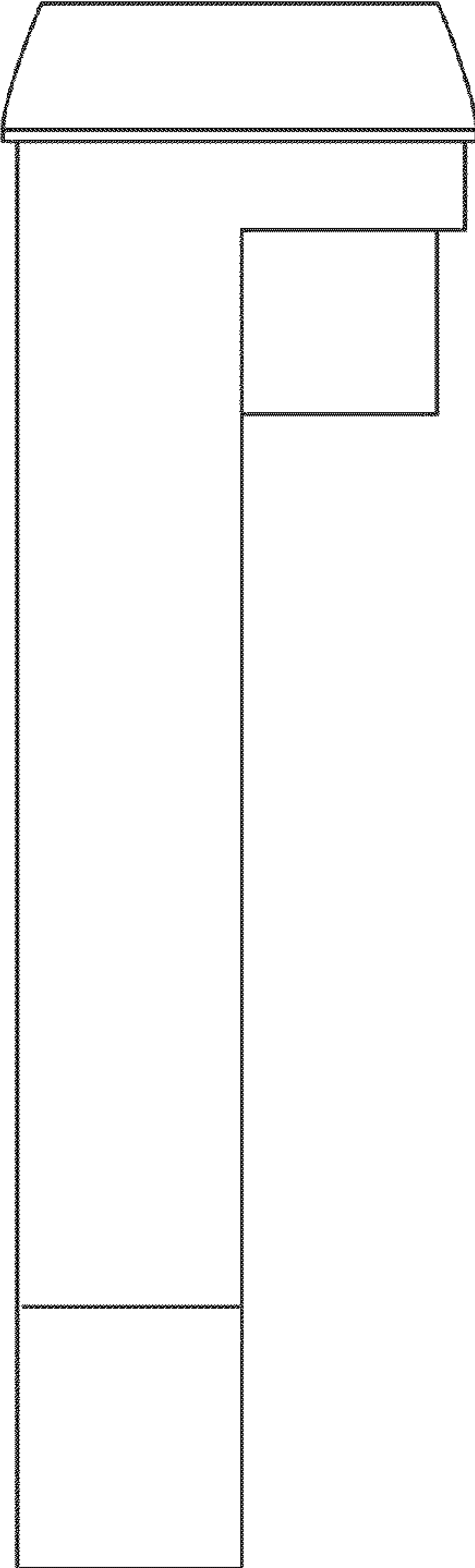


Fig. 8