



US00D727388S

(12) **United States Design Patent**
Huang et al.

(10) **Patent No.:** **US D727,388 S**
(45) **Date of Patent:** **** Apr. 21, 2015**

(54) **CAMERA**

(71) Applicant: **Chicony Electronics Co., Ltd.**, New Taipei (TW)

(72) Inventors: **Wei-Cheng Huang**, New Taipei (TW);
Mei-Yi Tsai, New Taipei (TW)

(73) Assignee: **Chicony Electronics Co., Ltd.**, New Taipei (TW)

(**) Term: **14 Years**

(21) Appl. No.: **29/481,946**

(22) Filed: **Feb. 12, 2014**

(51) **LOC (10) Cl.** **16-01**

(52) **U.S. Cl.**
USPC **D16/214**

(58) **Field of Classification Search**
USPC D16/200, 202, 203, 208, 214, 218, 235,
D16/242; 348/373–376; 396/535–541
See application file for complete search history.

(56) **References Cited**

U.S. PATENT DOCUMENTS

D181,162 S * 10/1957 Nassour et al. D16/214
D228,578 S * 10/1973 Glaros D16/214

D365,834 S * 1/1996 Dozier D16/203
D565,081 S * 3/2008 Ishikawa D16/235
7,480,005 B2 * 1/2009 Jeon 348/373
D586,837 S * 2/2009 McCoin D16/218
D680,143 S * 4/2013 Henssler et al. D16/200
D689,112 S * 9/2013 Henssler et al. D16/214
D701,893 S * 4/2014 Bart et al. D16/203

* cited by examiner

Primary Examiner — Adir Aronovich

(74) *Attorney, Agent, or Firm* — Chun-Ming Shih; HDLS IPR Services

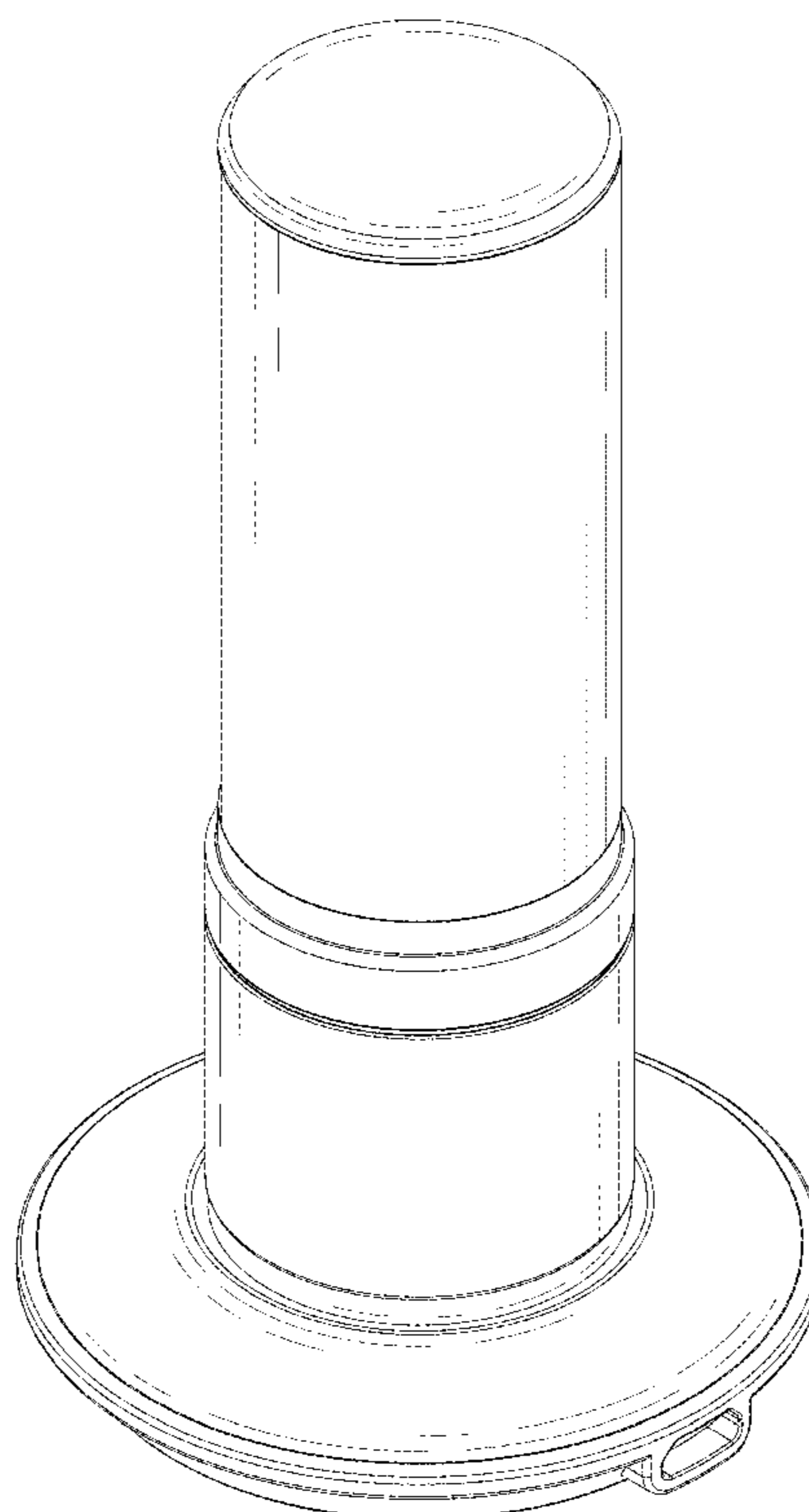
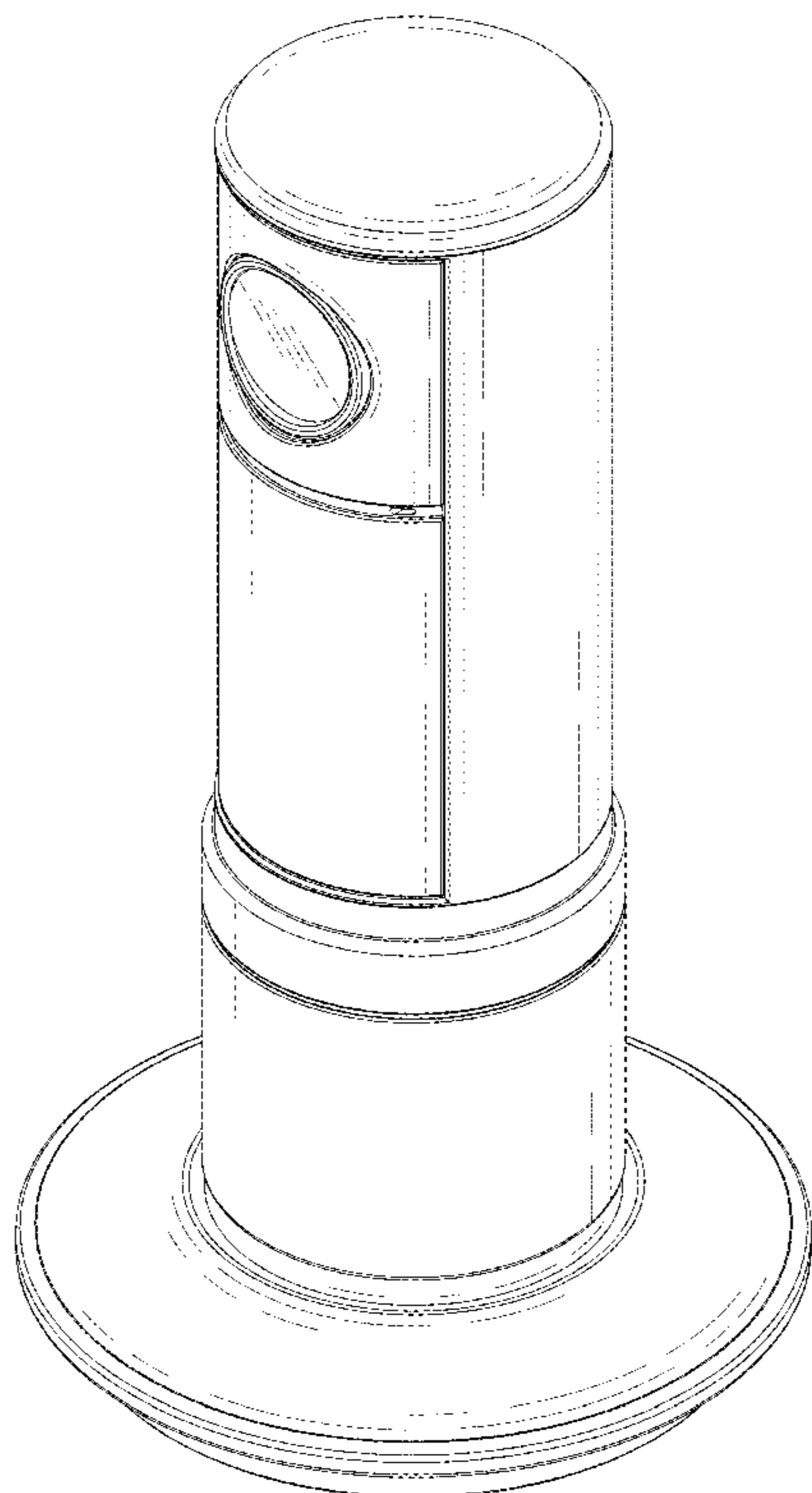
(57) **CLAIM**

The ornamental design for a camera, as shown and described.

DESCRIPTION

FIG. 1 is a top, front and right side perspective view of a camera showing our new design;
FIG. 2 is a front elevational view thereof;
FIG. 3 is a rear elevational view thereof;
FIG. 4 is a left side elevational view thereof;
FIG. 5 is a right side elevational view thereof;
FIG. 6 is a top plan view thereof;
FIG. 7 is a bottom plan view thereof; and,
FIG. 8 is a rear perspective view thereof.

1 Claim, 7 Drawing Sheets



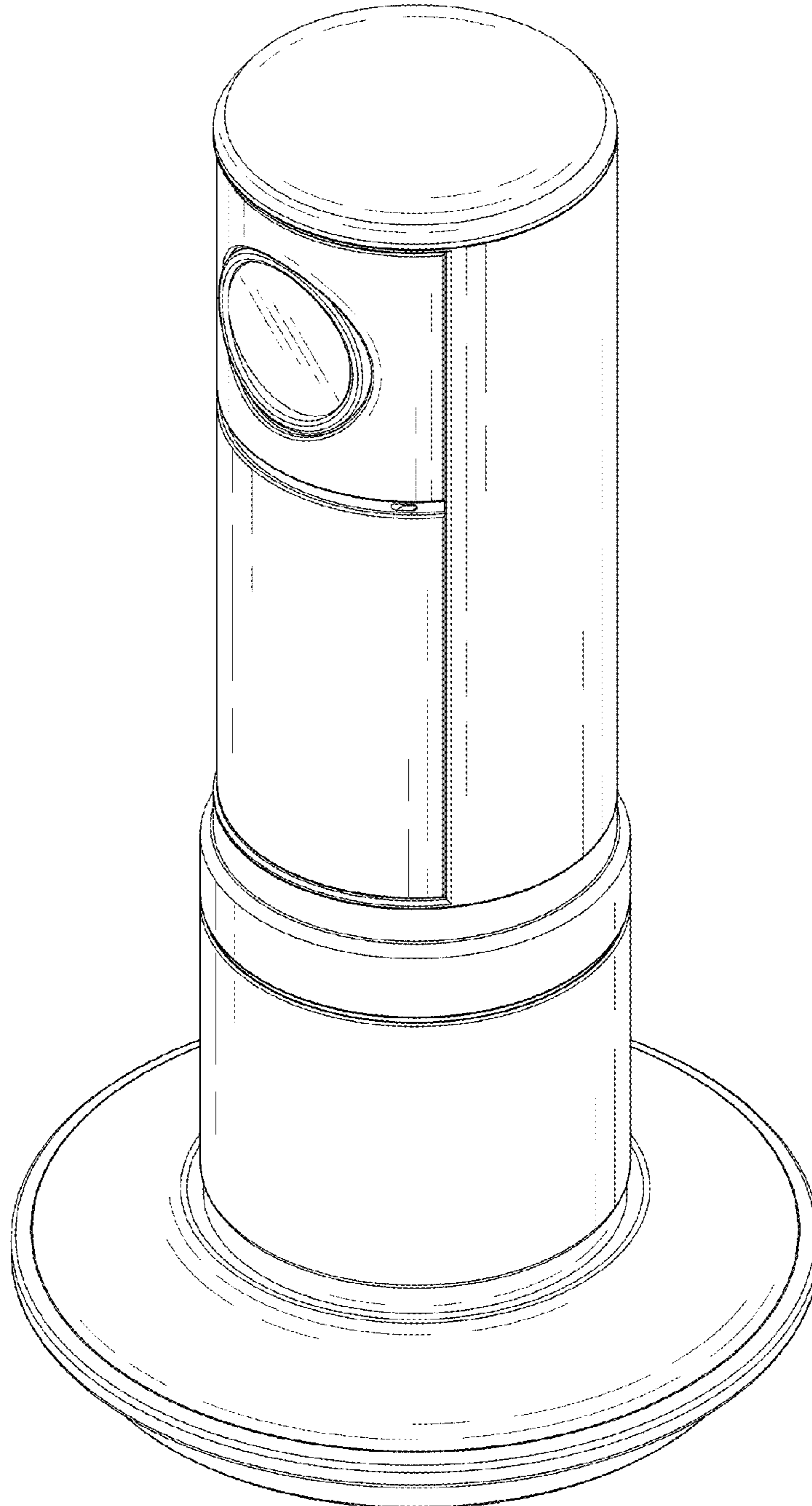


FIG.1

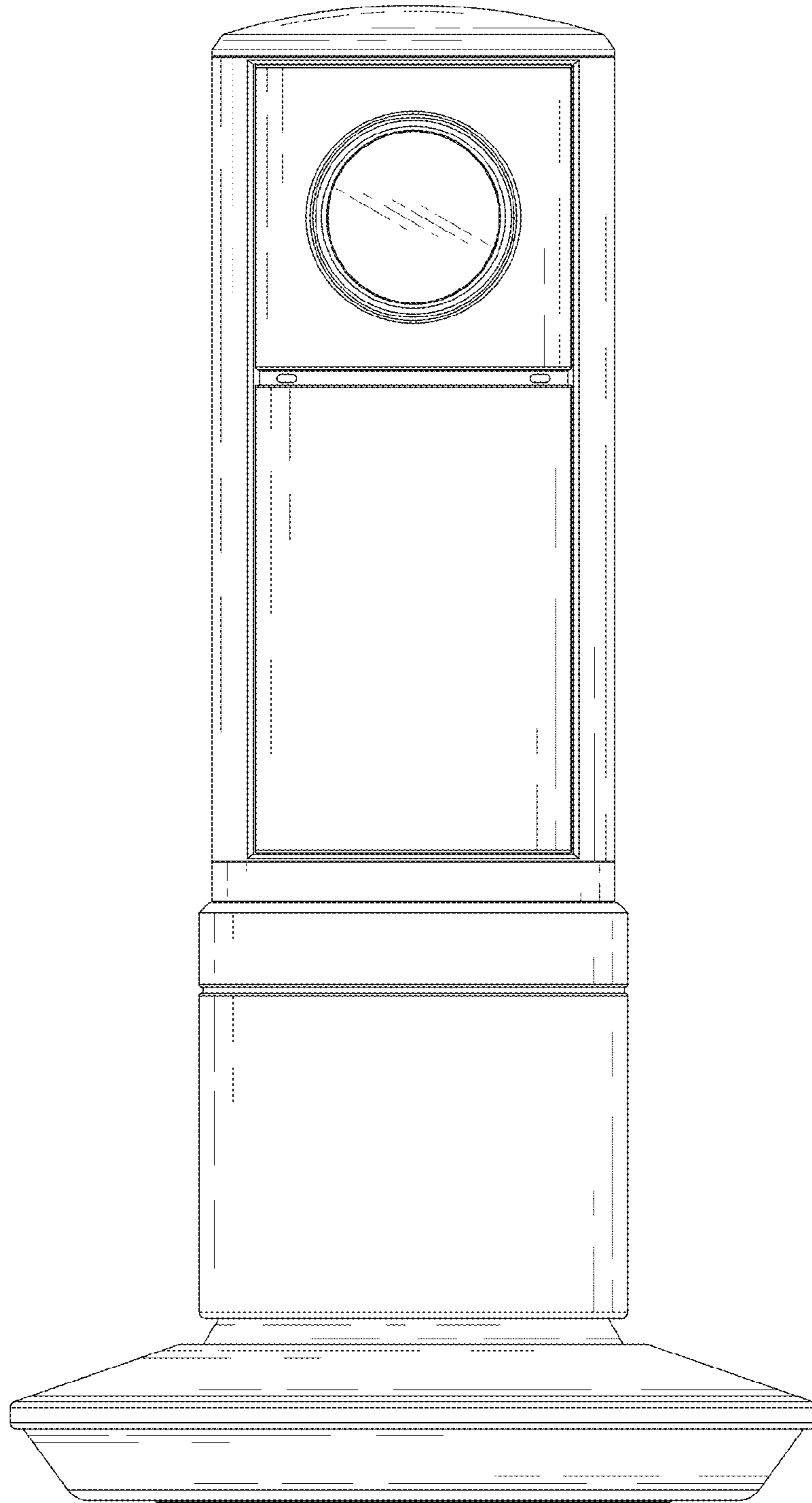


FIG.2

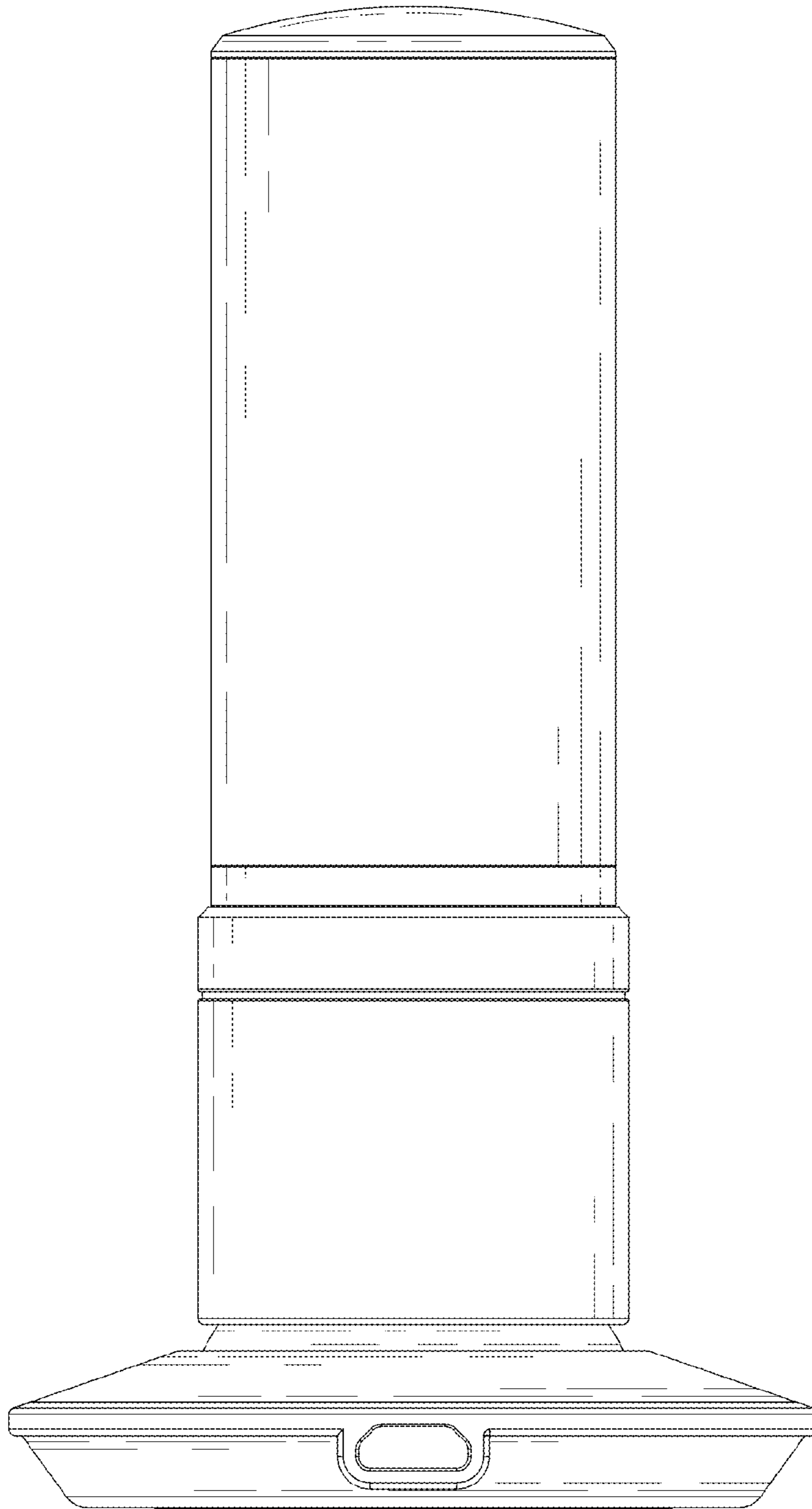


FIG. 3

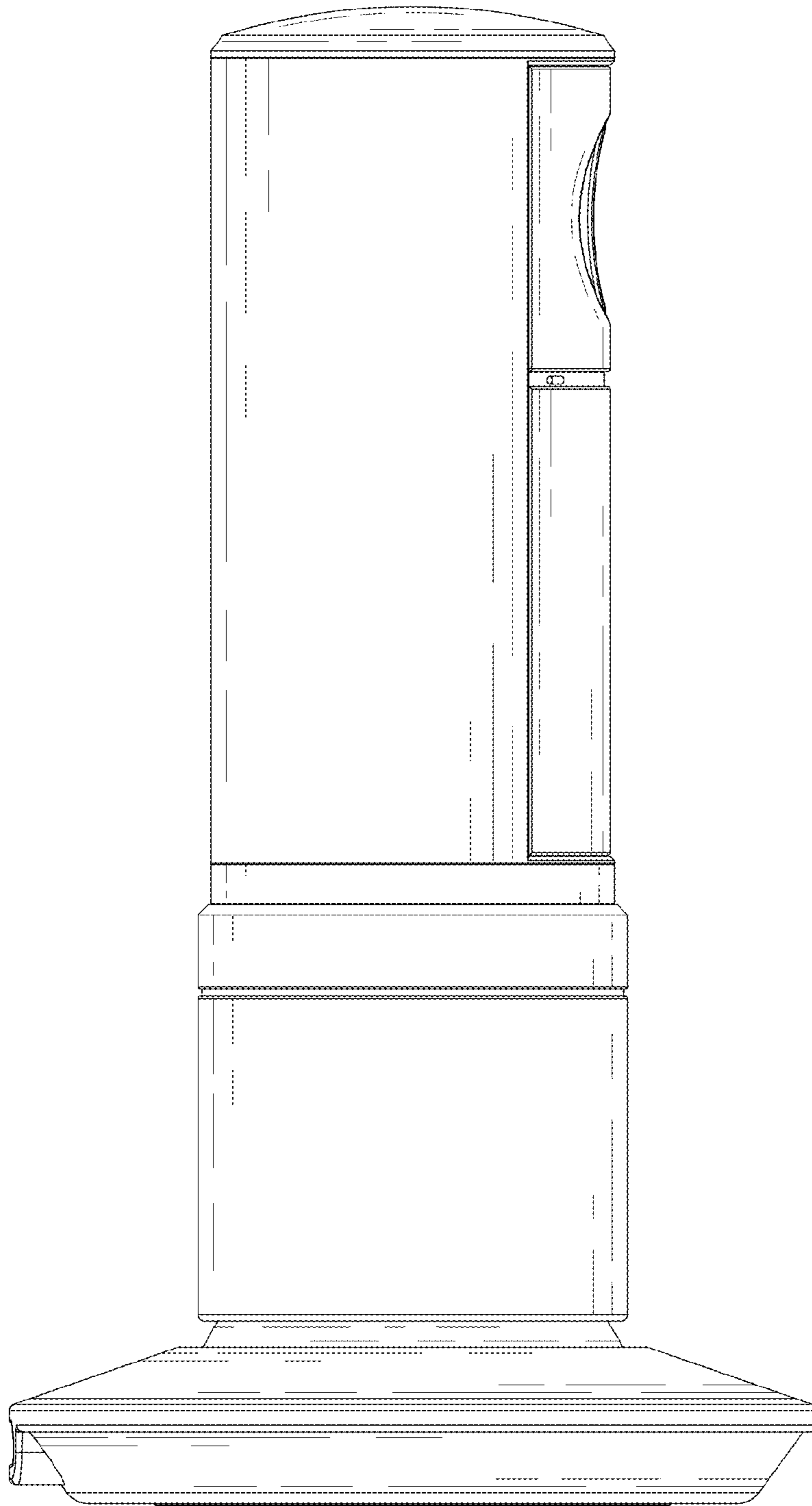


FIG.4

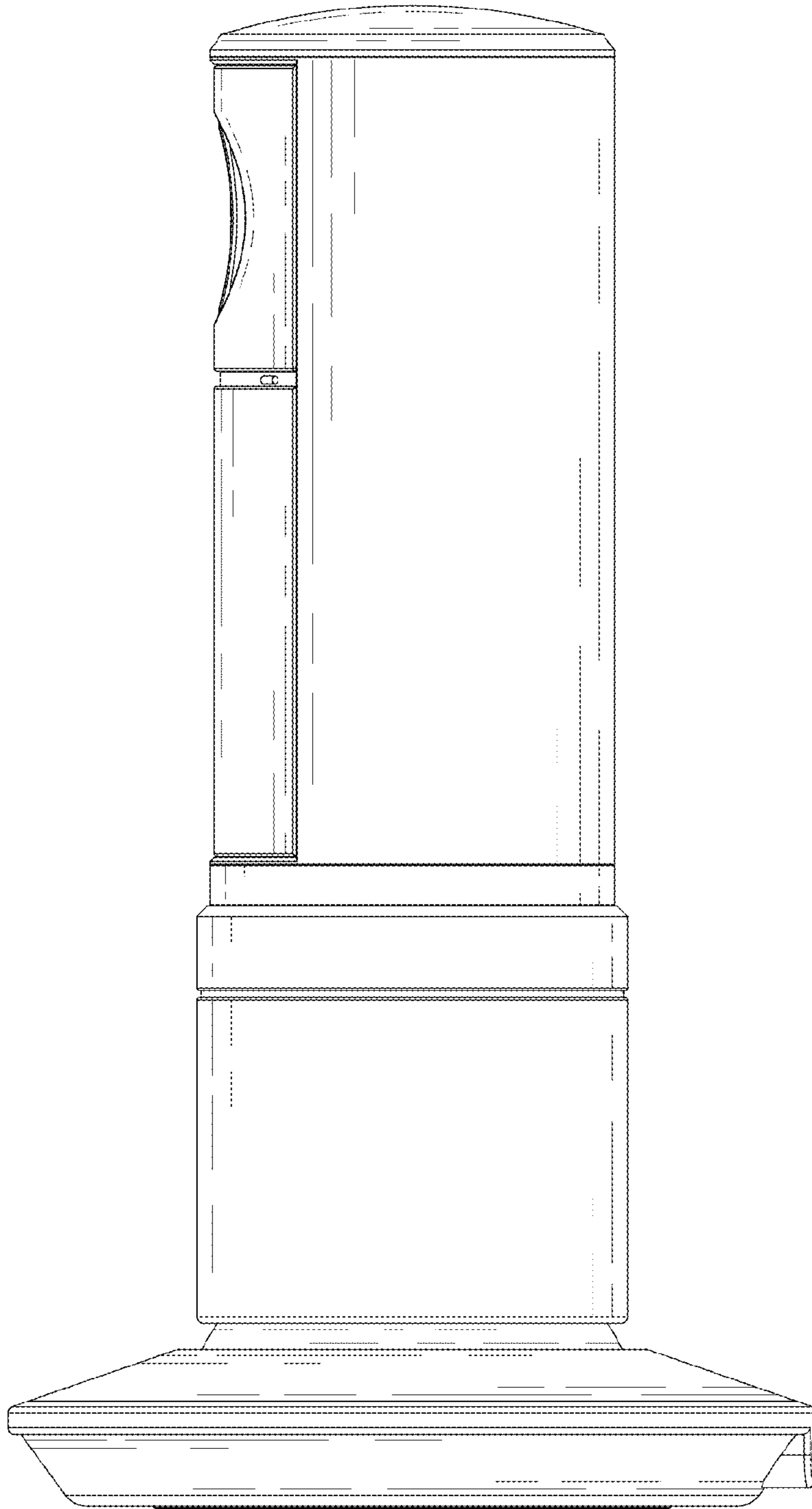


FIG. 5

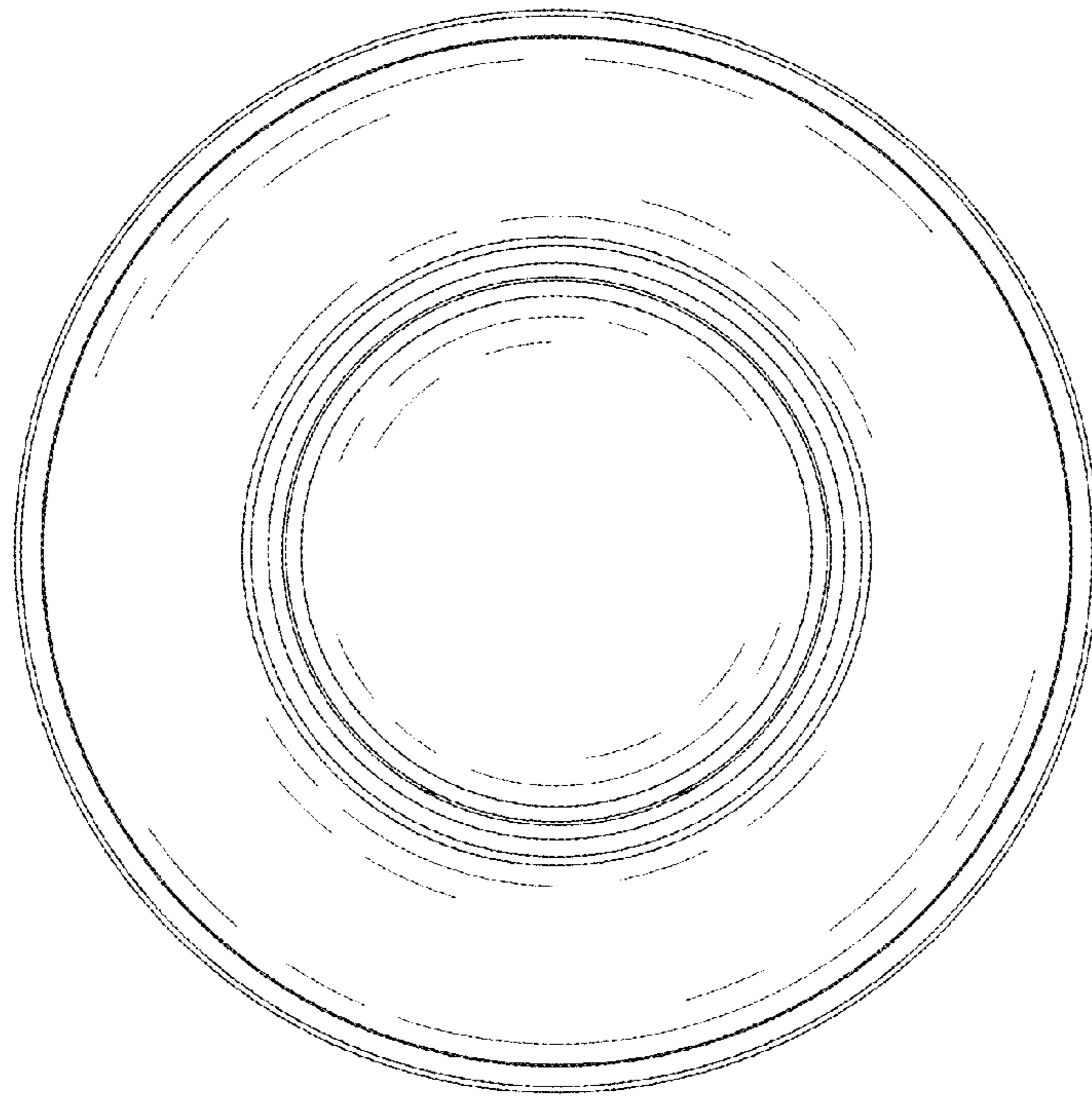


FIG. 6

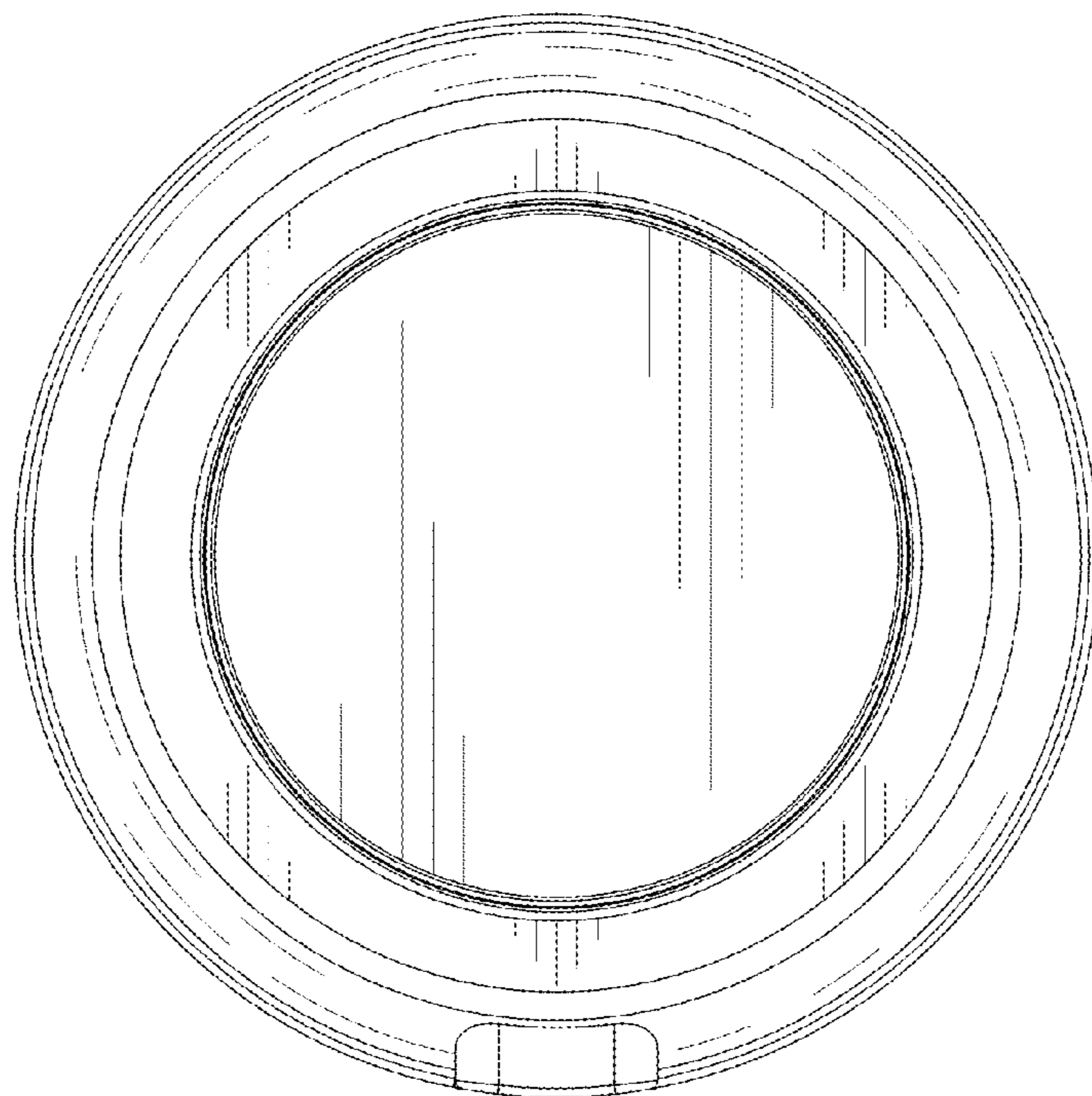


FIG. 7

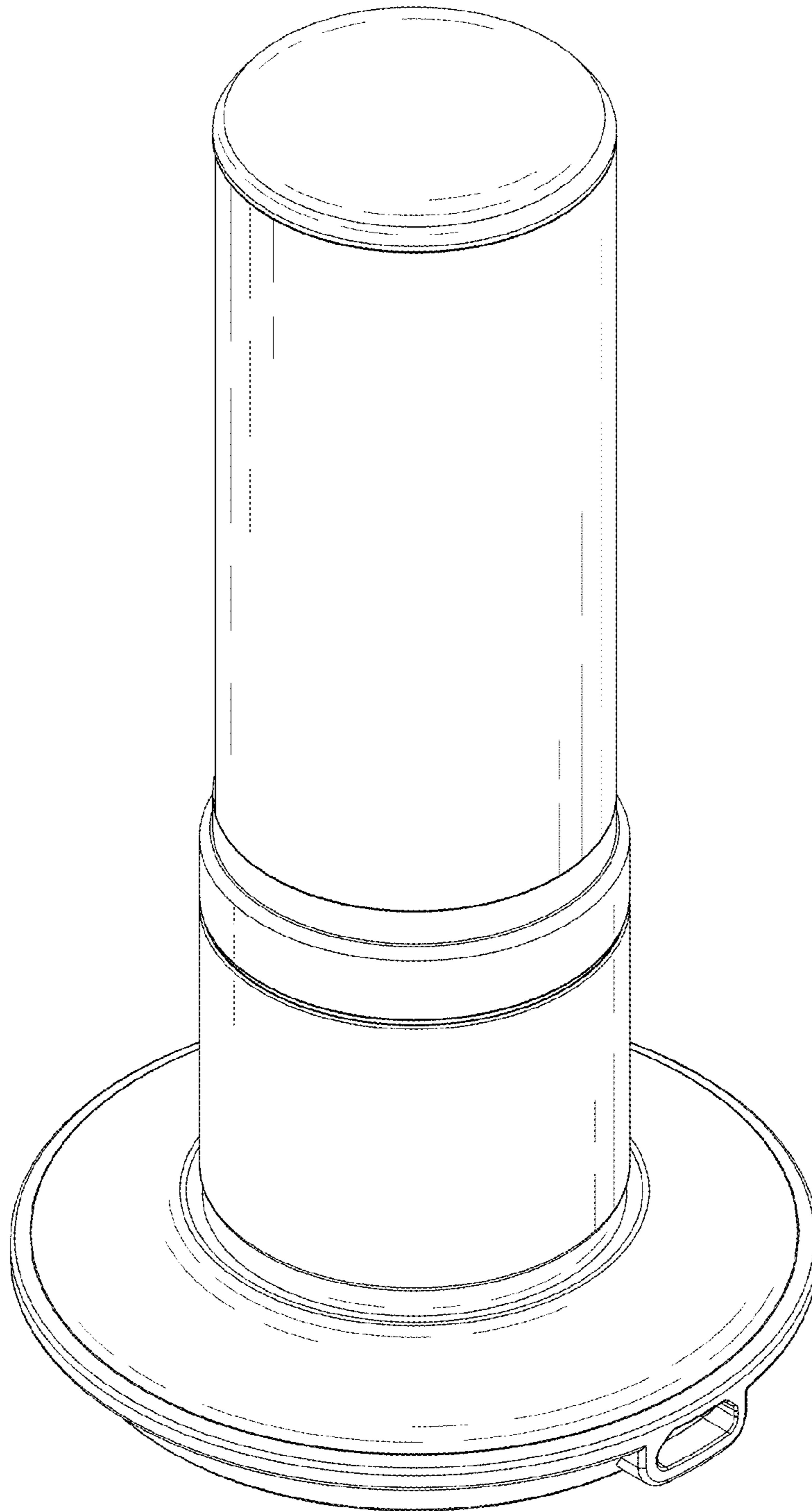


FIG. 8