



US00D727386S

(12) **United States Design Patent**  
**Kobayashi**

(10) **Patent No.:** **US D727,386 S**

(45) **Date of Patent:** **\*\* Apr. 21, 2015**

(54) **DIGITAL CAMERA**

(71) Applicant: **Nikon Corporation**, Tokyo (JP)

(72) Inventor: **Yuki Kobayashi**, Tokyo (JP)

(73) Assignee: **Nikon Corporation**, Tokyo (JP)

(\*\*) Term: **14 Years**

(21) Appl. No.: **29/480,664**

(22) Filed: **Jan. 28, 2014**

(30) **Foreign Application Priority Data**

Aug. 2, 2013 (JP) ..... 2013-017661

(51) **LOC (10) Cl.** ..... **16-01**

(52) **U.S. Cl.**  
USPC ..... **D16/202**

(58) **Field of Classification Search**  
CPC ..... G03B 15/03; G03B 17/02; G03B 17/04;  
G03B 17/56; G03B 19/04; H04N 5/2251;  
H04N 5/2252; H04N 5/2253; H04N 5/2254;  
H04N 2101/00  
USPC ..... D16/200, 202–206, 208, 218, 219;  
348/373–376; 396/535, 539–541  
See application file for complete search history.

(56) **References Cited**

**U.S. PATENT DOCUMENTS**

D669,514 S \* 10/2012 Ham ..... D16/202  
D669,928 S \* 10/2012 Noh ..... D16/202  
D682,906 S \* 5/2013 Uemachi et al. .... D16/202  
D684,203 S \* 6/2013 Uemachi ..... D16/202  
D689,111 S \* 9/2013 Kobayashi ..... D16/202

D692,044 S \* 10/2013 Uemachi et al. .... D16/219  
D695,329 S \* 12/2013 Fujita et al. .... D16/202  
D698,848 S \* 2/2014 Uemachi et al. .... D16/219  
D707,742 S \* 6/2014 Imamizu ..... D16/202  
8,810,724 B2 \* 8/2014 Ikezawa ..... 348/374  
D712,950 S \* 9/2014 Kwon et al. .... D16/202  
D717,353 S \* 11/2014 Kobayashi et al. .... D16/202  
2007/0212062 A1 \* 9/2007 Saiki et al. .... 396/535

\* cited by examiner

*Primary Examiner* — Adir Aronovich

*Assistant Examiner* — Ramzi Almatrahi

(74) *Attorney, Agent, or Firm* — Wolf, Greenfield & Sacks, P.C.; Randy J. Pritzker

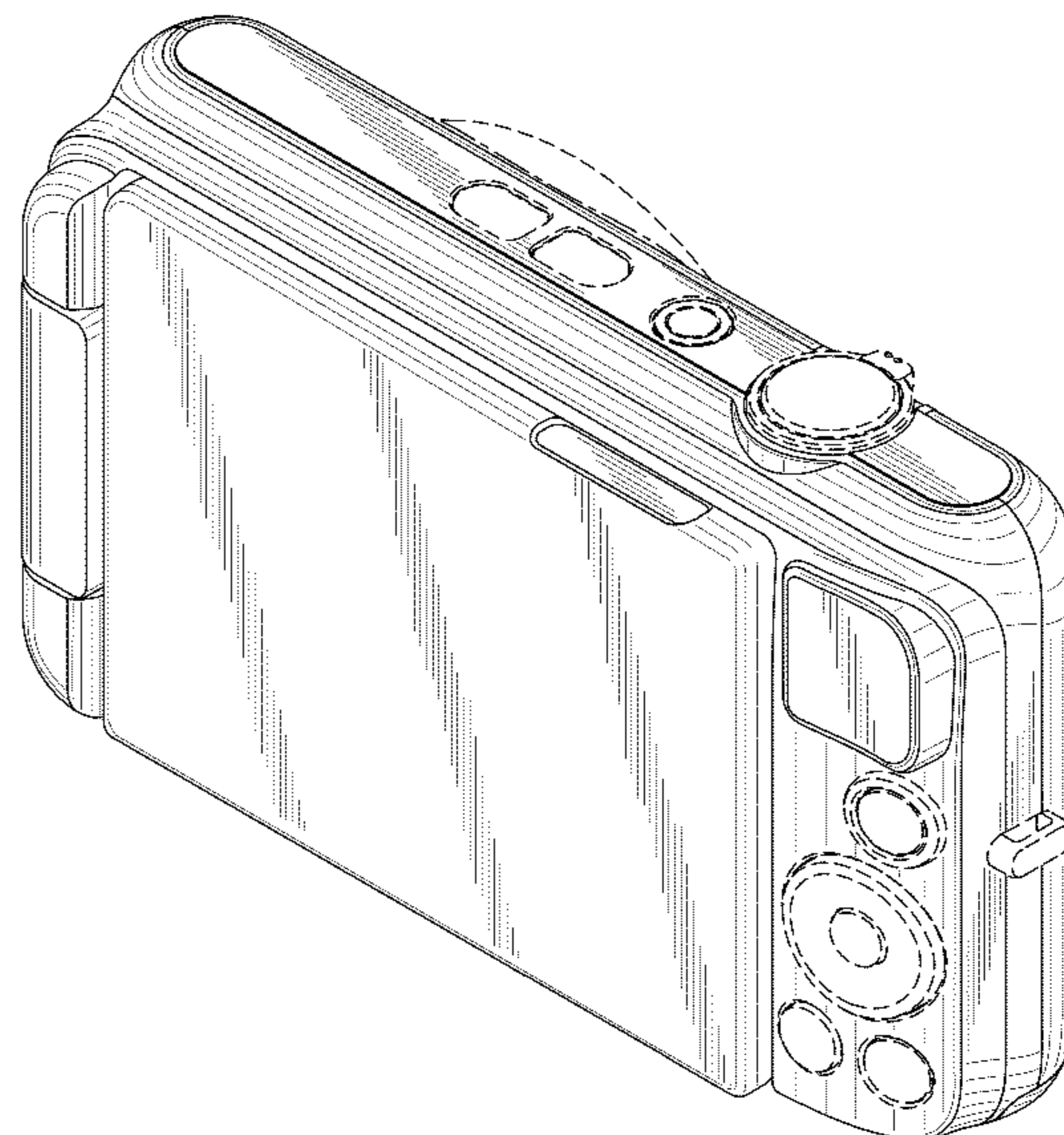
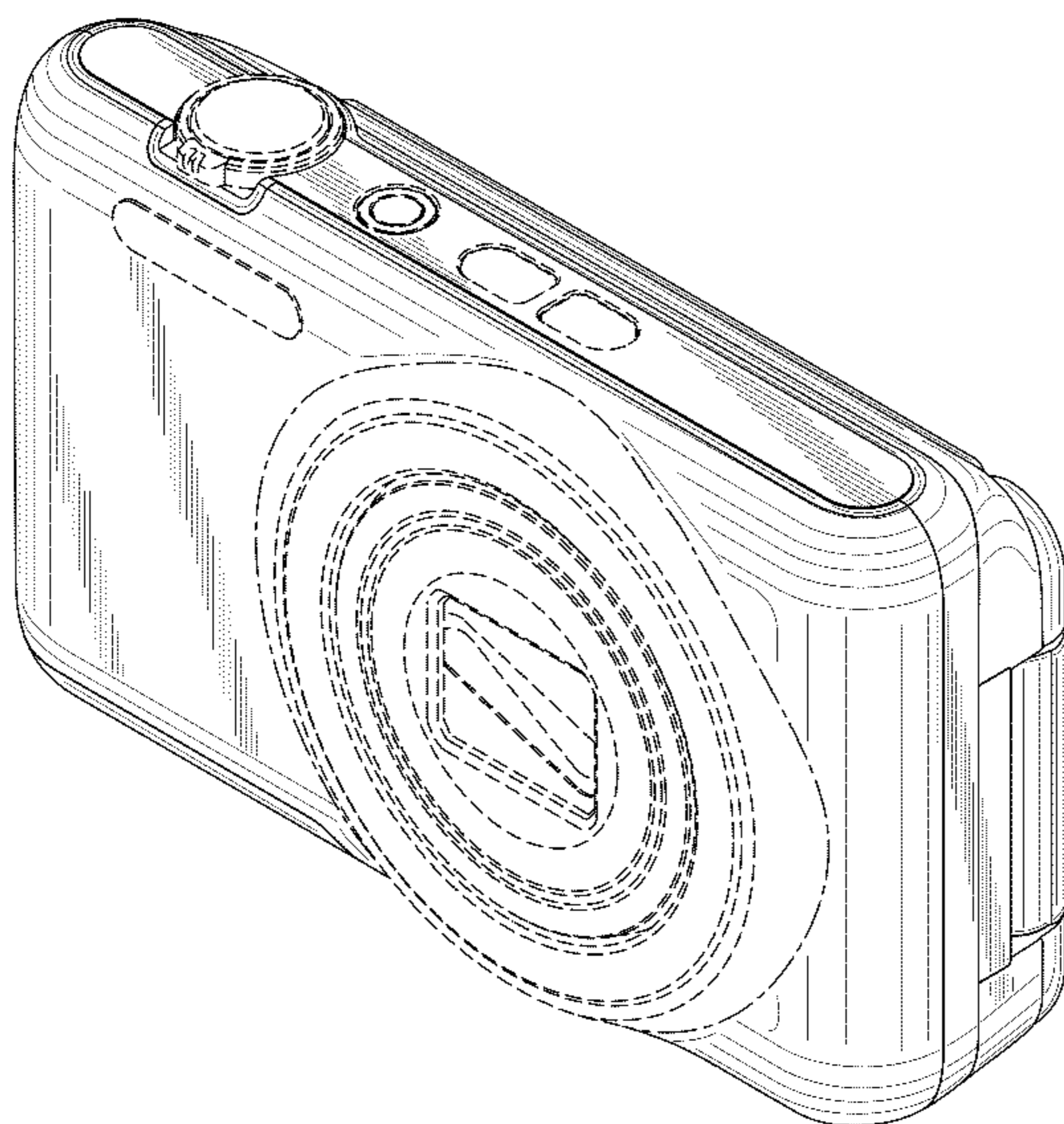
(57) **CLAIM**

The ornamental design for a digital camera, as shown and described.

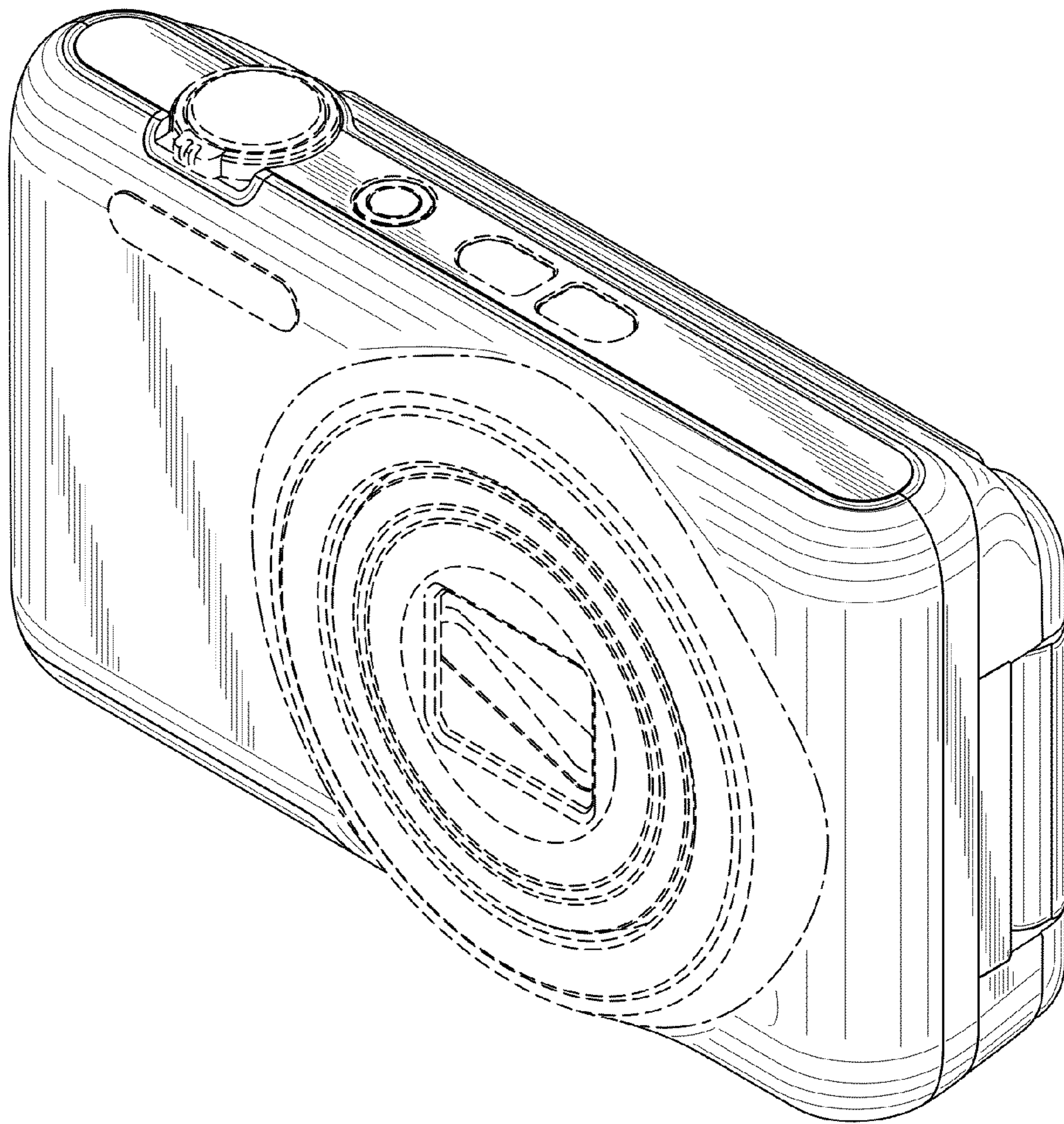
**DESCRIPTION**

FIG. 1 is a front, top and right side perspective view of a digital camera showing my new design;  
FIG. 2 is a rear, top and left side perspective view thereof;  
FIG. 3 is a front elevational view thereof;  
FIG. 4 is a rear elevational view thereof;  
FIG. 5 is a top plan view thereof;  
FIG. 6 is a bottom plan view thereof;  
FIG. 7 is a right side elevational view thereof; and,  
FIG. 8 is a left side elevational view thereof.  
The broken lines depict portions of a digital camera in which the design is embodied and form no part of the claimed design.

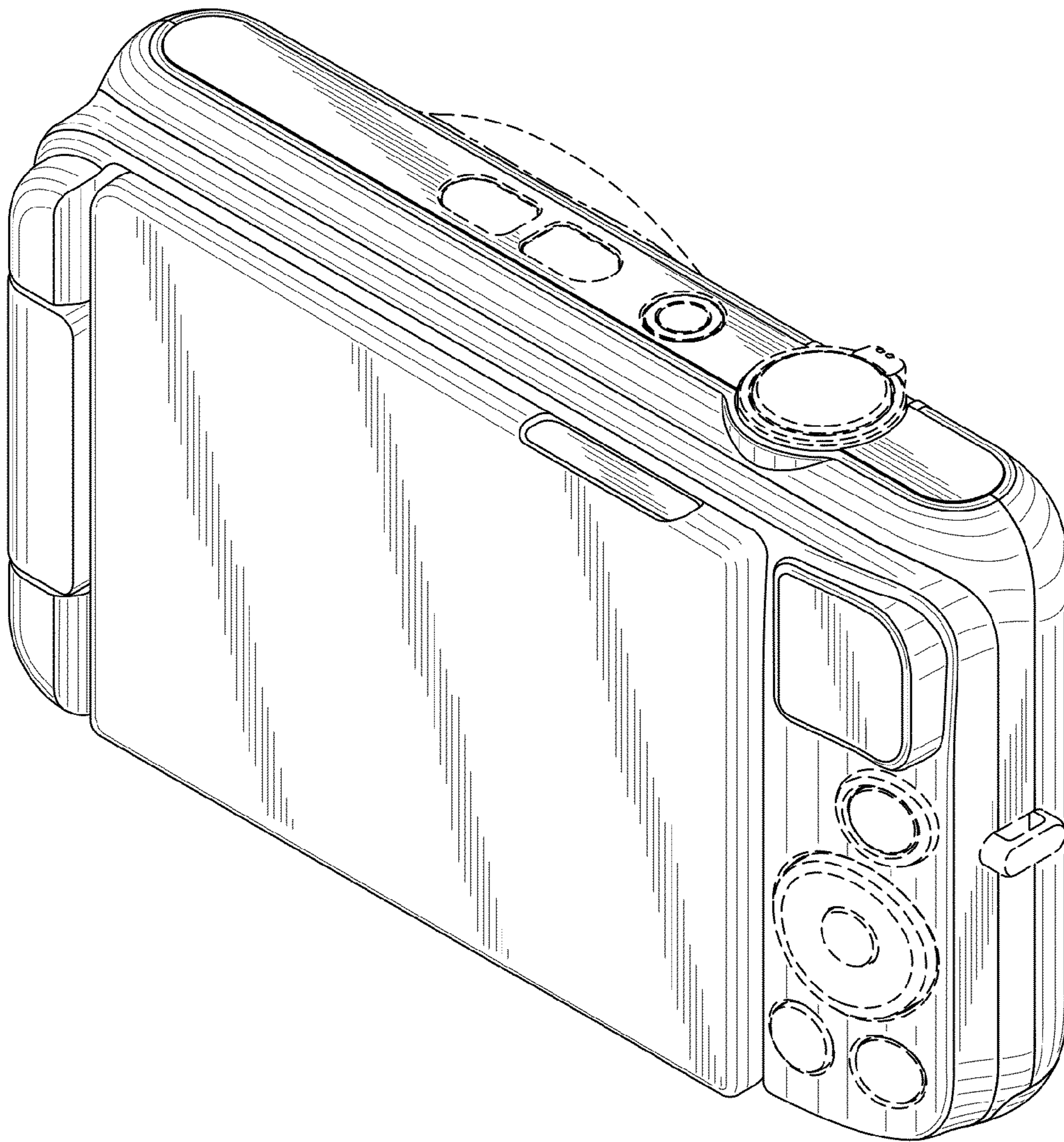
**1 Claim, 8 Drawing Sheets**



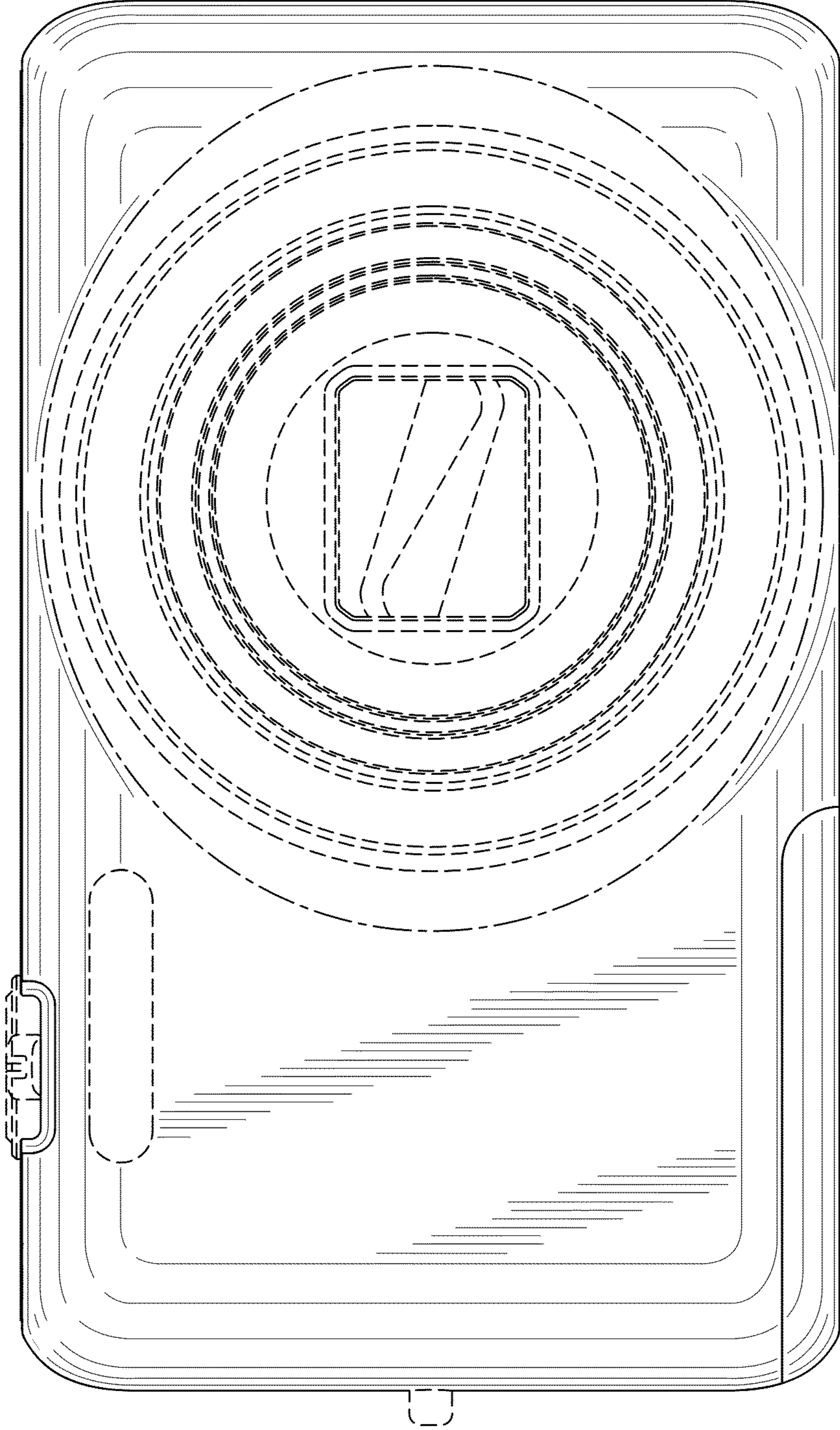
*FIG. 1*



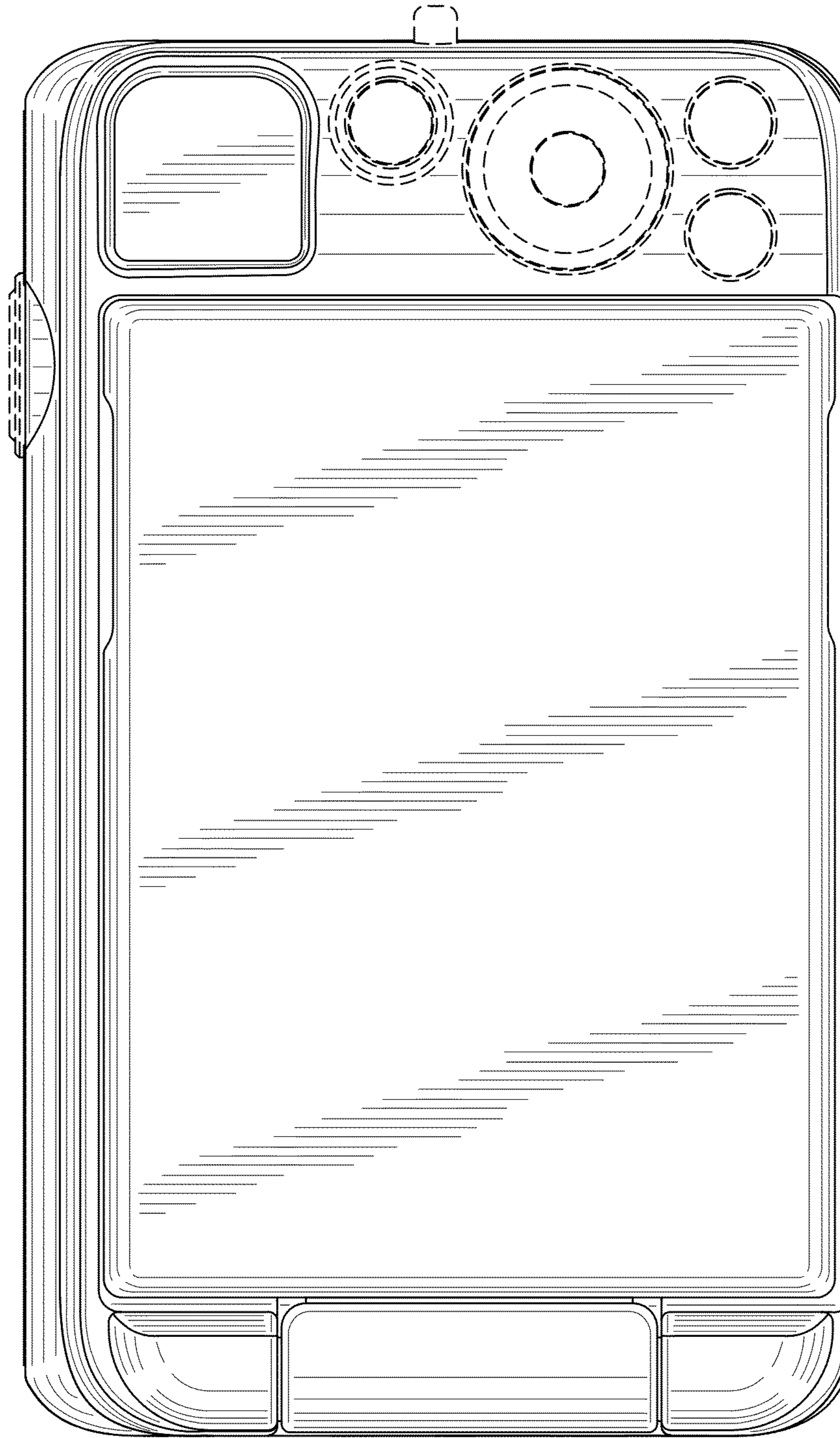
*FIG. 2*



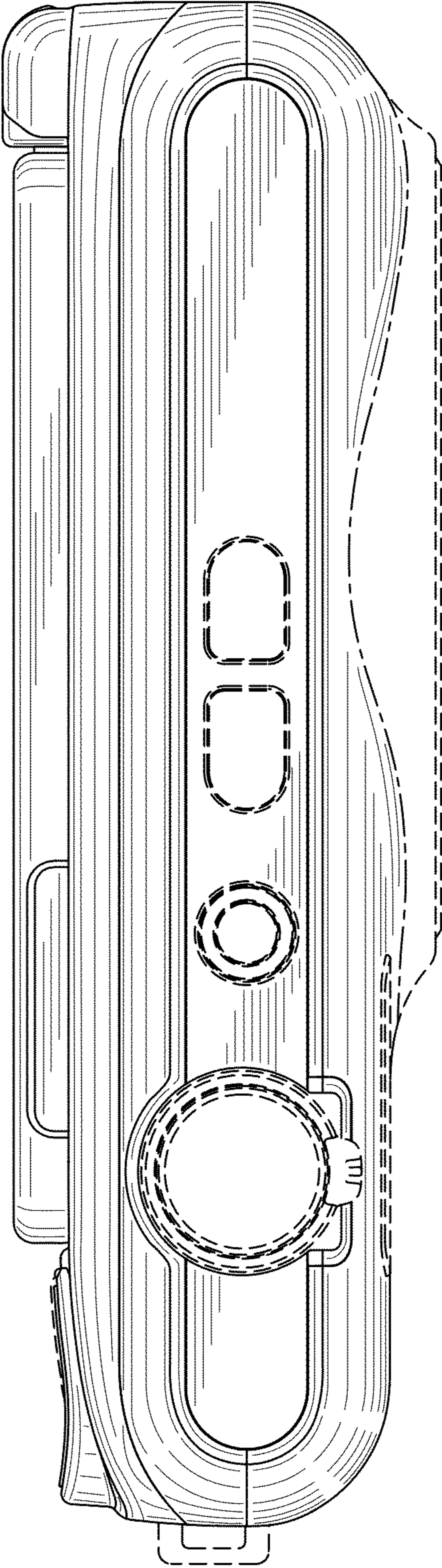
**FIG. 3**



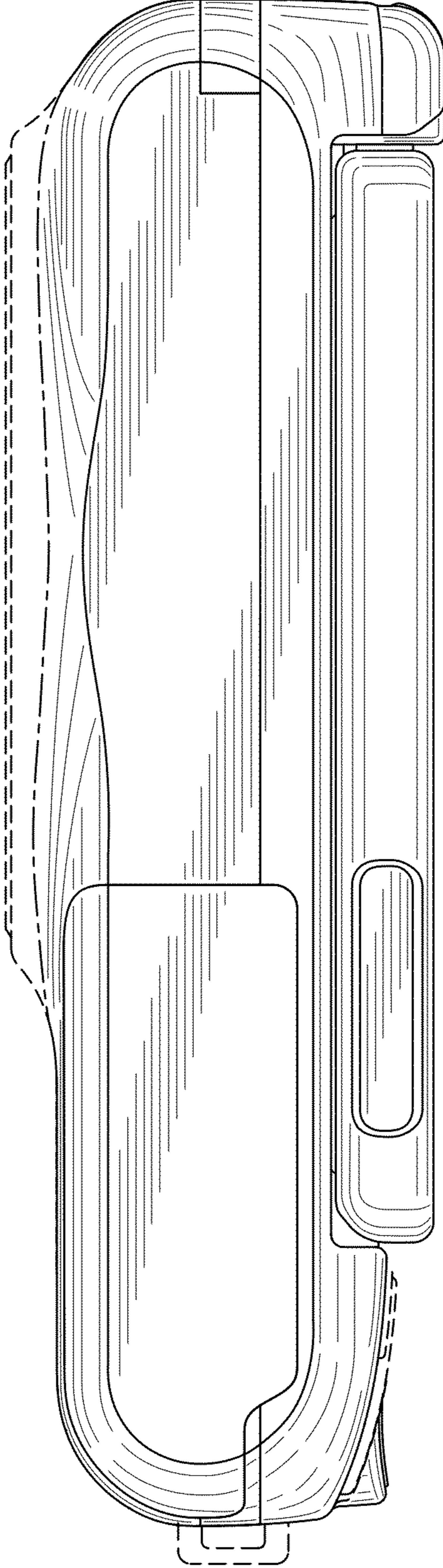
**FIG. 4**



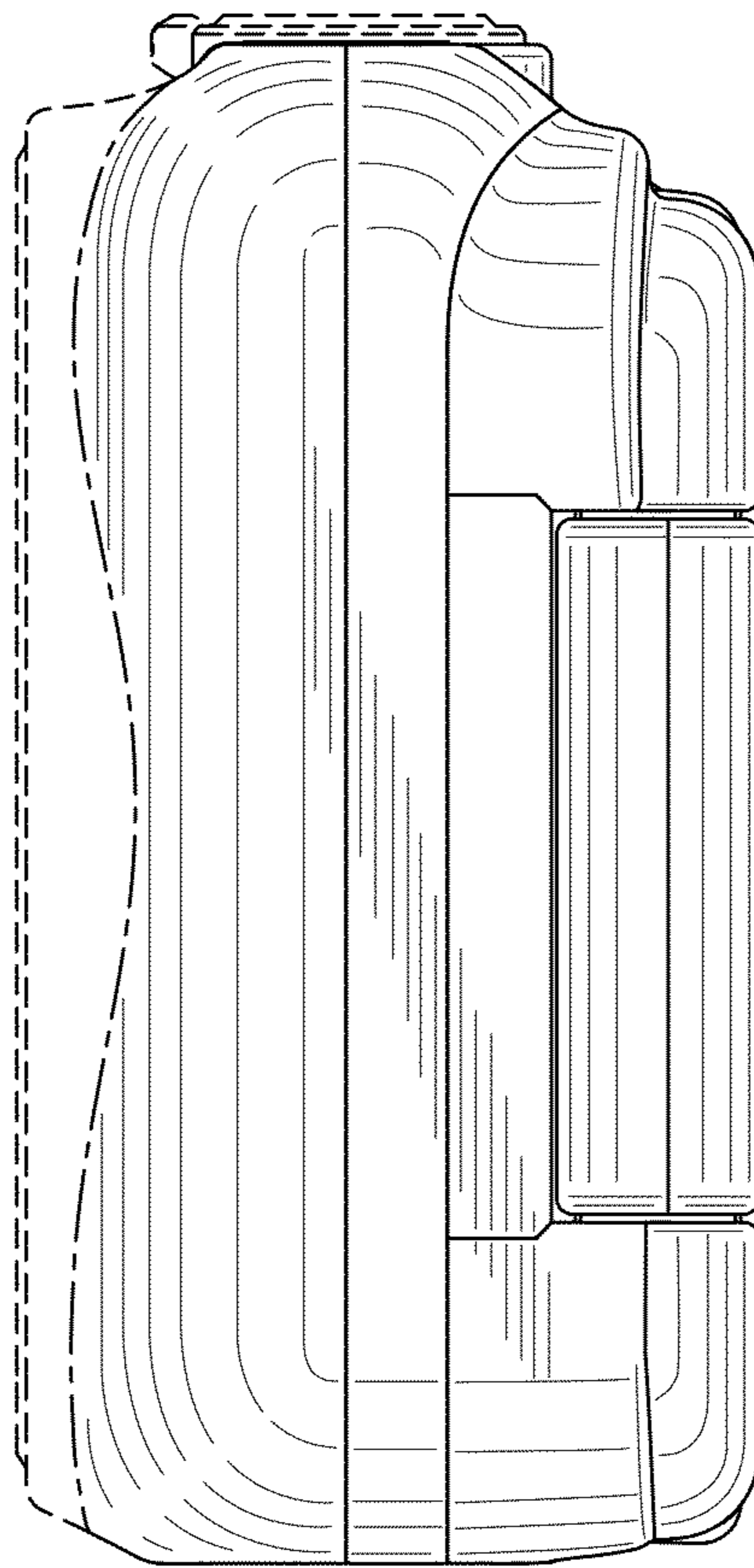
**FIG. 5**



**FIG. 6**



***FIG. 7***





***FIG. 8***

