



US00D727383S

(12) **United States Design Patent**
Jobling et al.

(10) **Patent No.:** **US D727,383 S**

(45) **Date of Patent:** **** Apr. 21, 2015**

(54) **AUTOMATED DRUM PACKING MODULE**

(71) Applicant: **Adelaide Control Engineers Pty Ltd,**
Regency Park (AU)

(72) Inventors: **Glenn Jobling,** Regency Park (AU);
Robert Smith, West Lakes Shores (AU)

(73) Assignee: **Adelaide Control Engineers Pty Ltd.,**
Regency Park, SA (AU)

(**) Term: **14 Years**

(21) Appl. No.: **29/440,512**

(22) Filed: **Dec. 21, 2012**

(30) **Foreign Application Priority Data**

Jun. 26, 2012 (AU) 12986/2012

(51) **LOC (10) Cl.** **15-99**

(52) **U.S. Cl.**
USPC **D15/146**

(58) **Field of Classification Search**
USPC D15/122, 145, 146; 53/51, 64, 167,
53/292, 293, 266.1, 279, 282, 284.5, 285,
53/329.4, 370.7, 370.9, 381.1, 426, 471,
53/558, 563, 565
See application file for complete search history.

(56) **References Cited**

U.S. PATENT DOCUMENTS

3,621,630	A *	11/1971	Bianchi	53/510
3,805,478	A *	4/1974	Stohlquist et al.	53/55
4,807,428	A *	2/1989	Boisseau	53/563
D301,890	S *	6/1989	Silbersky	D15/145
5,097,649	A *	3/1992	Ueda et al.	53/167
D372,487	S *	8/1996	Brewer et al.	D15/145
D377,496	S *	1/1997	Poole	D15/145
5,806,282	A *	9/1998	Hansen	53/432
6,378,275	B1 *	4/2002	Andersson	53/458
D567,271	S *	4/2008	Vine	D15/145
D614,211	S *	4/2010	De Vries et al.	D15/122
D671,154	S *	11/2012	Harder	D15/127

D686,261	S *	7/2013	Sunter et al.	D15/145
2002/0116895	A1 *	8/2002	Antoniazzi et al.	53/230
2006/0218881	A1 *	10/2006	Sperry et al.	53/411
2010/0205914	A1 *	8/2010	Yamamoto et al.	53/582
2010/0218792	A1 *	9/2010	Slomp et al.	134/94.1

* cited by examiner

Primary Examiner — Patricia Palasik

(74) *Attorney, Agent, or Firm* — Nixon Peabody LLP;
Jeffrey L. Costellia

(57) **CLAIM**

The ornamental design for an automated drum packing module, as shown and described.

DESCRIPTION

FIG. 1 is a front view of a automated drum packing module according to an embodiment of the invention;
 FIG. 2 is a back view of a automated drum packing module according to an embodiment of the invention;
 FIG. 3 is a left view of a automated drum packing module according to an embodiment of the invention;
 FIG. 4 is a right view of a automated drum packing module according to an embodiment of the invention;
 FIG. 5 is a top view of a automated drum packing module according to an embodiment of the invention;
 FIG. 6 is an isometric front right view of a automated drum packing module according to an embodiment of the invention;
 FIG. 7 is an isometric front left view of a automated drum packing module according to an embodiment of the invention;
 FIG. 8 is an isometric back right view of a automated drum packing module according to an embodiment of the invention; and,
 FIG. 9 is an isometric back left view of a automated drum packing module according to an embodiment of the invention.
 The broken lines showing the general outline of the container in FIGS. 1 to 9 illustrate portions of the design that form no part of the claim.

1 Claim, 7 Drawing Sheets

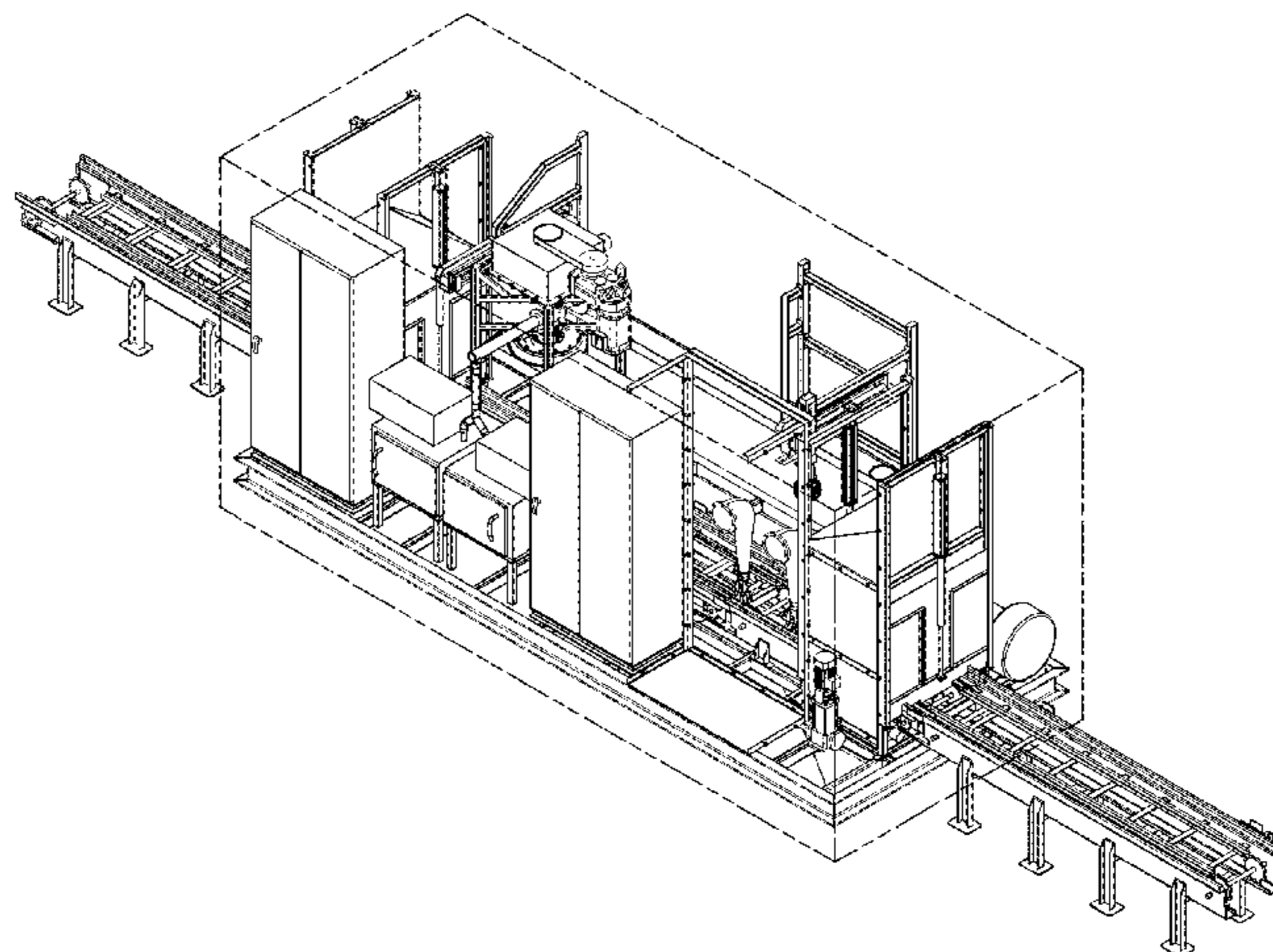


FIG. 1

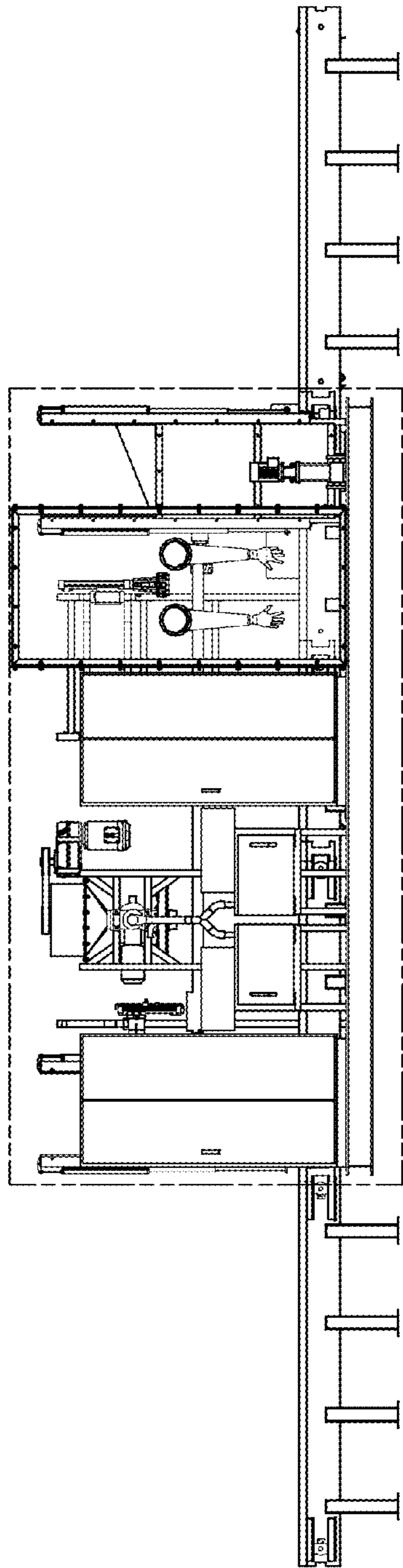


FIG. 2

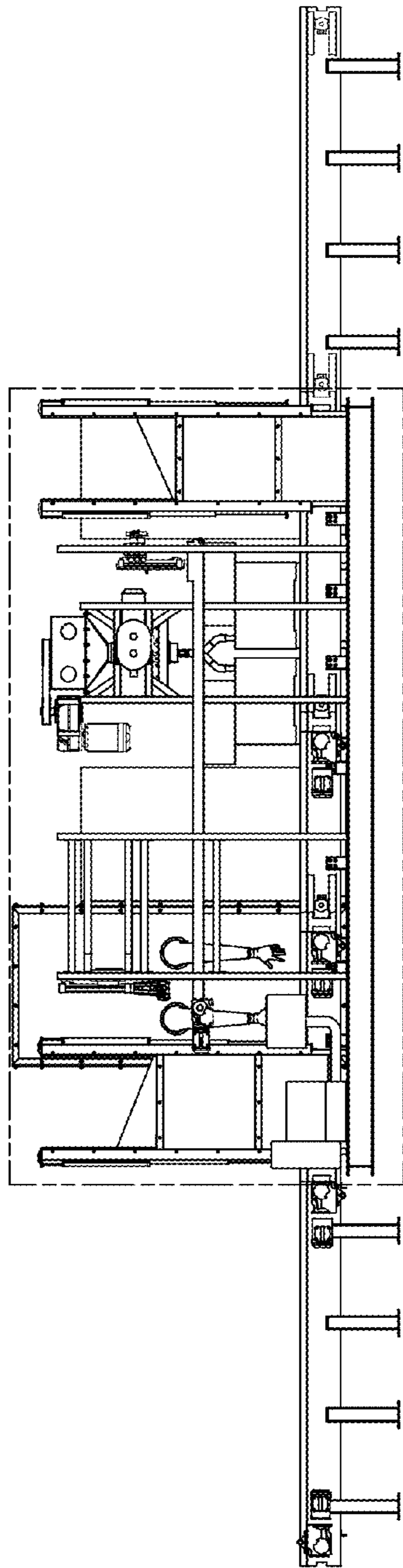


FIG. 4

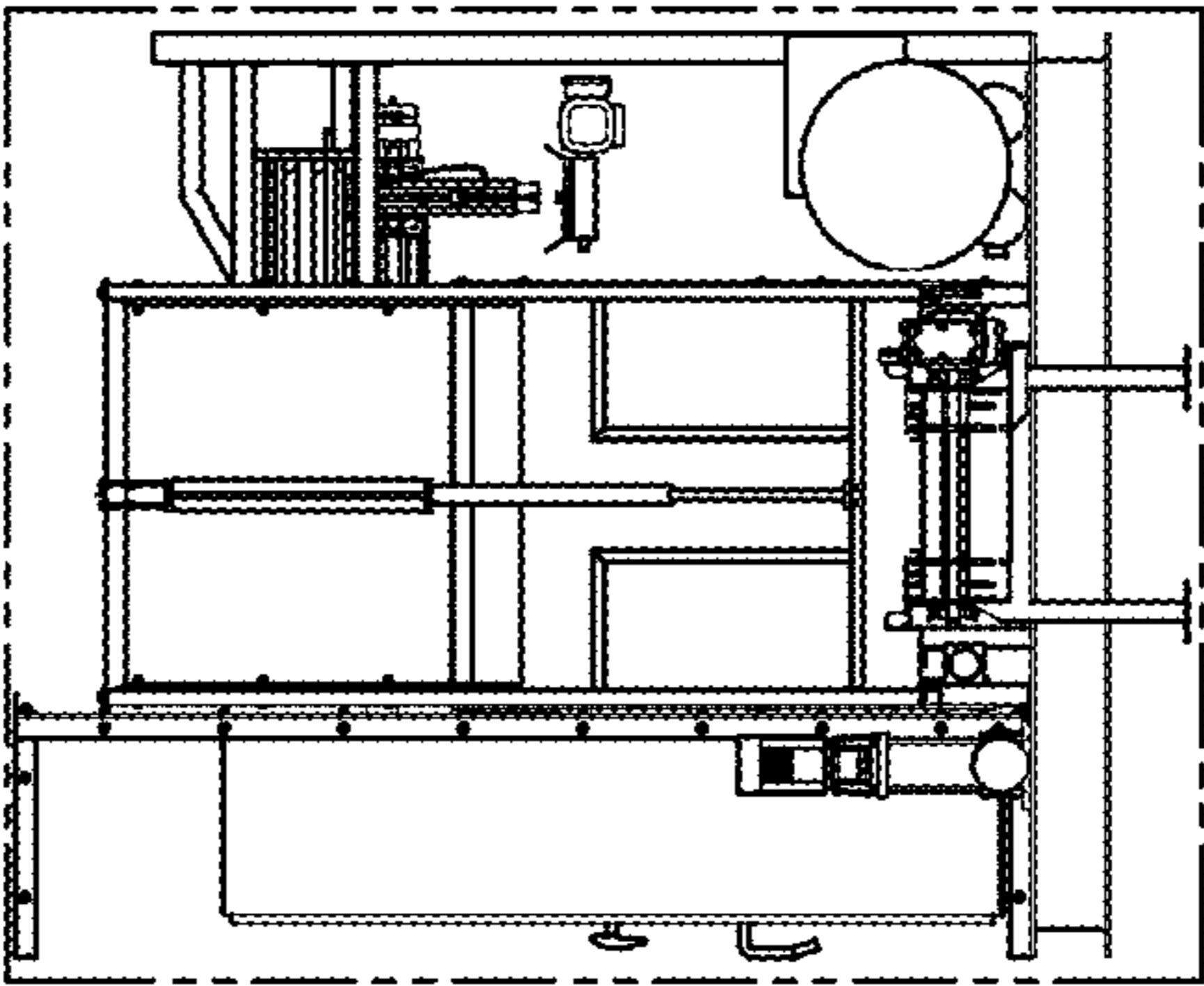


FIG. 3

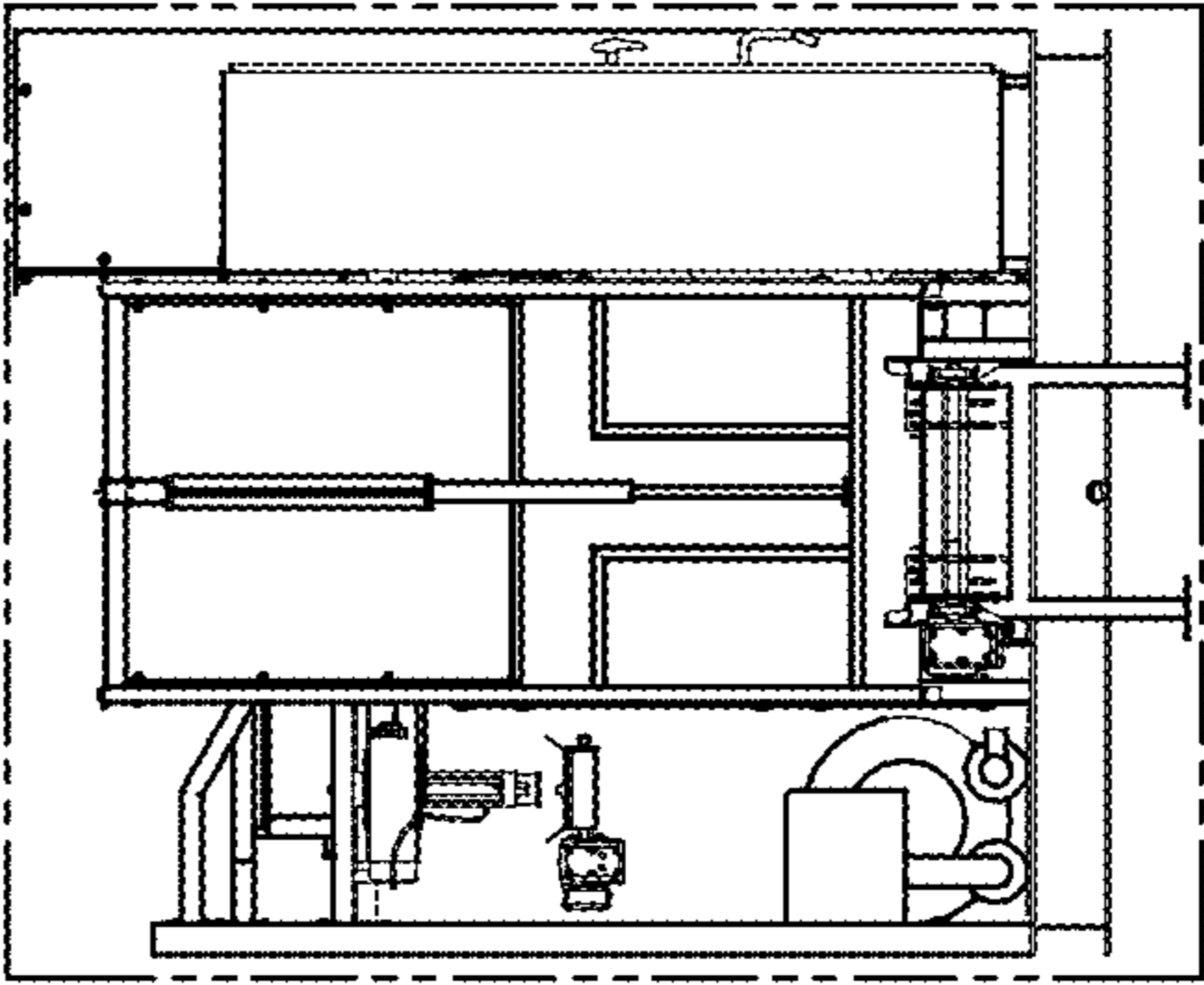


FIG. 5

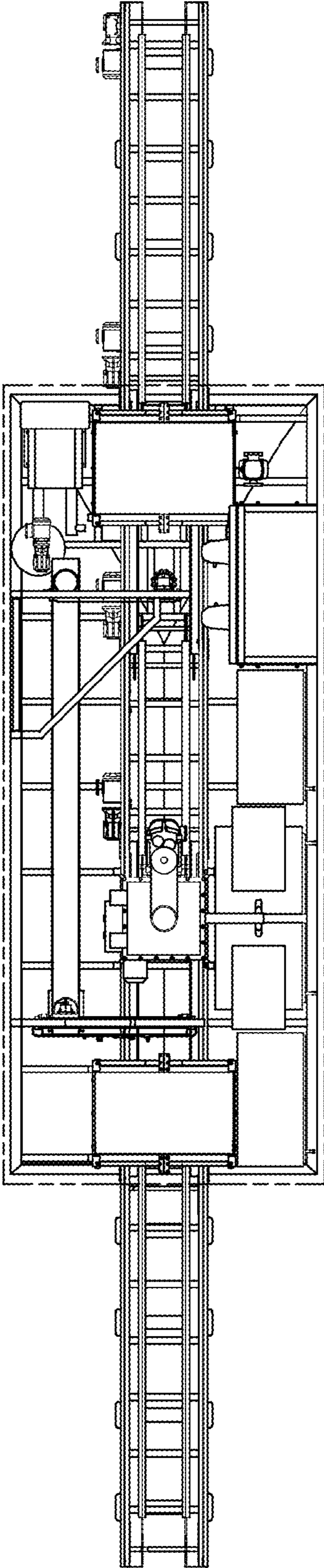
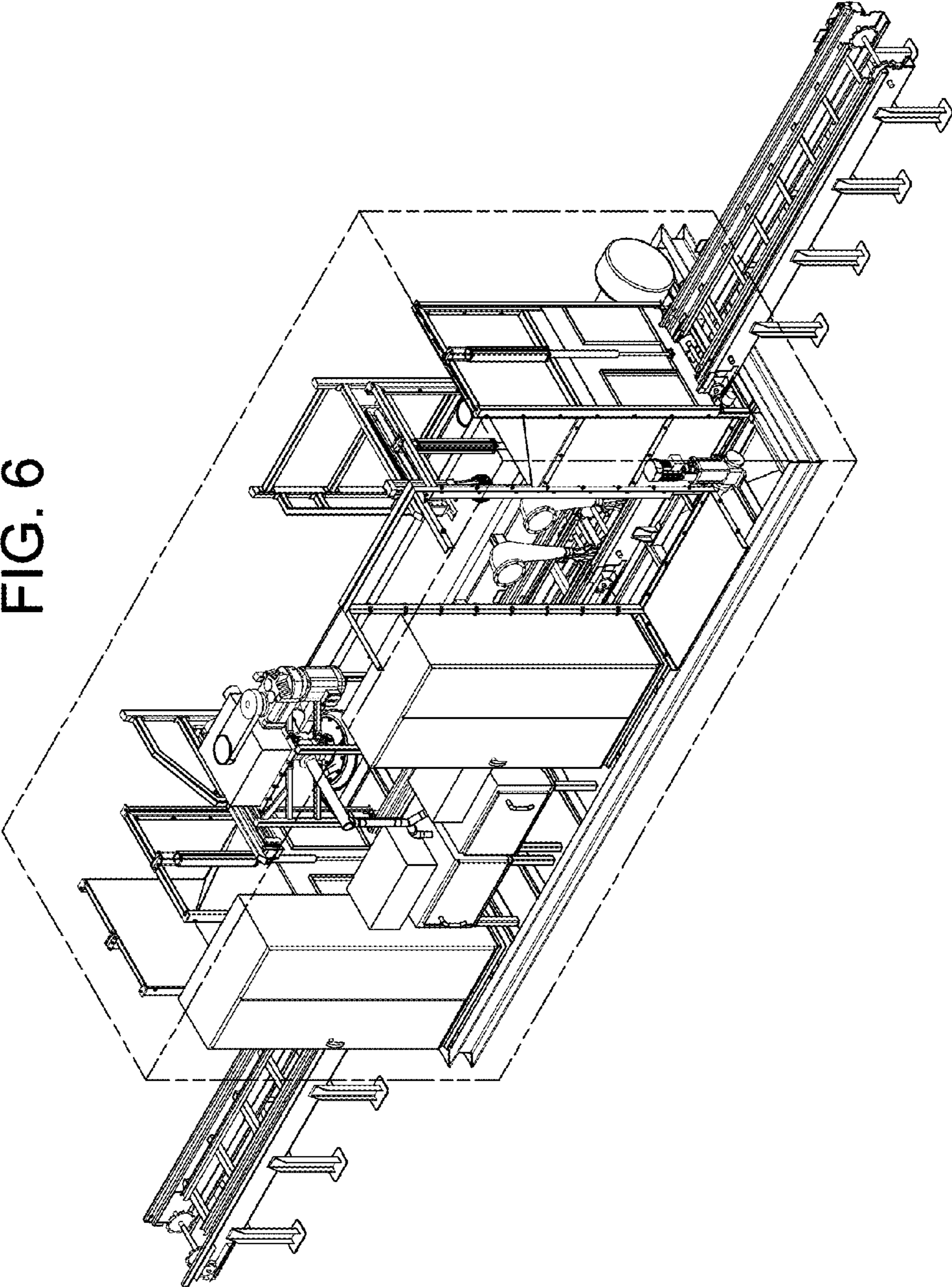


FIG. 6



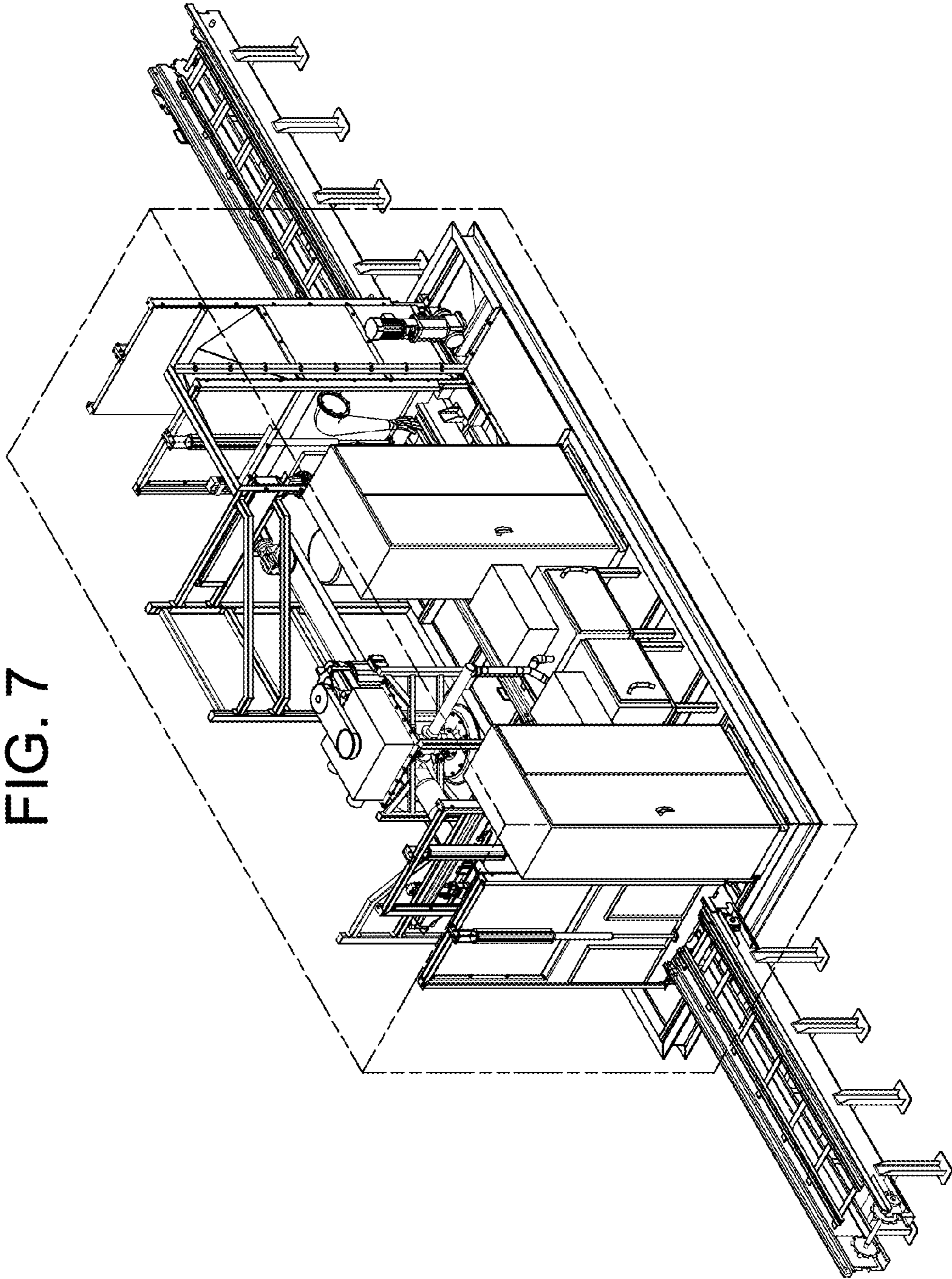


FIG. 7

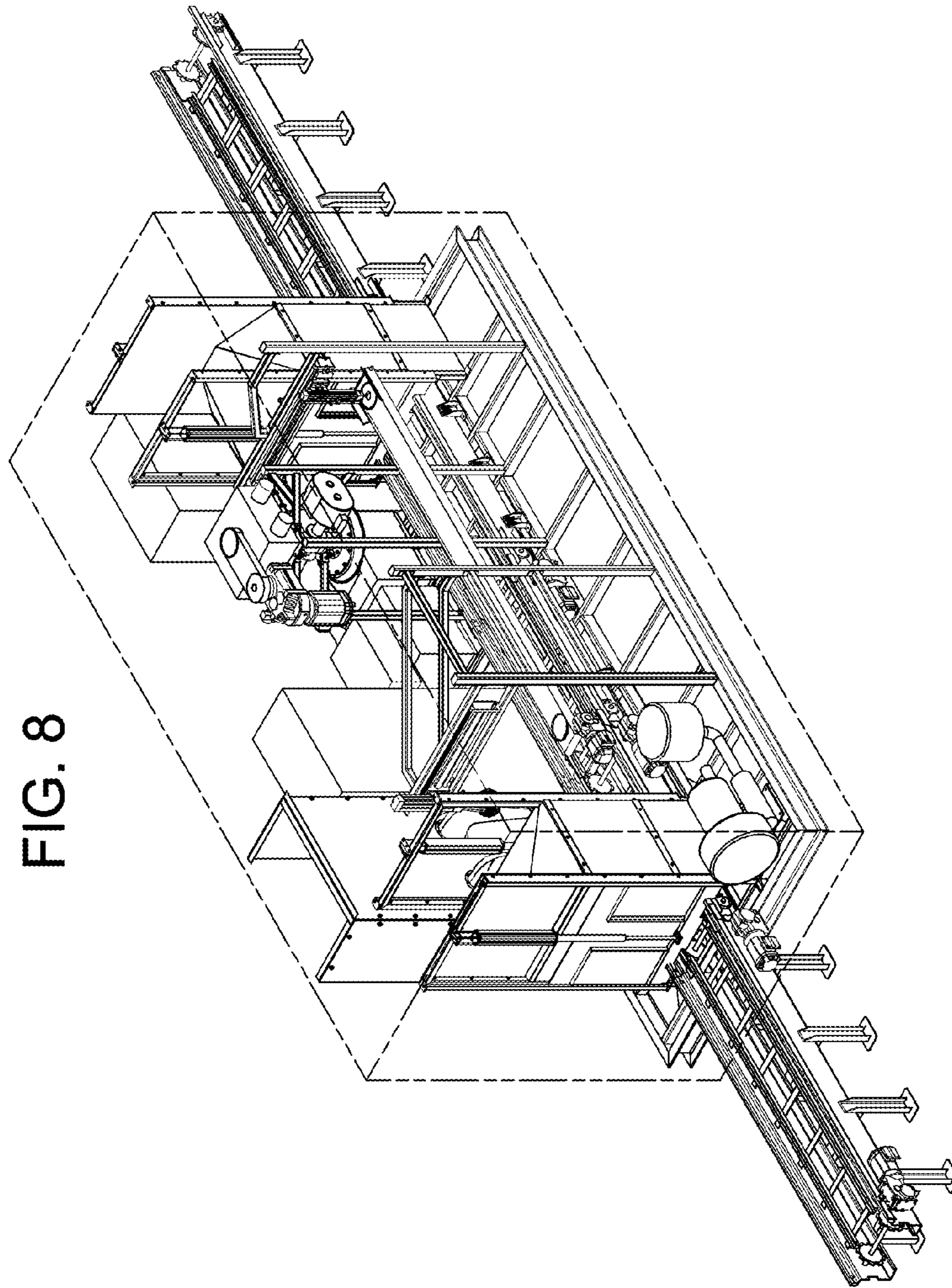


FIG. 8

FIG. 9

