



US00D727377S

(12) **United States Design Patent**
Jeon et al.

(10) **Patent No.:** **US D727,377 S**
(45) **Date of Patent:** **** Apr. 21, 2015**

(54) **ELEMENT FOR REFRIGERATOR**

(56) **References Cited**

(71) Applicant: **Samsung Electronics Co., Ltd.**,
Suwon-si (KR)
(72) Inventors: **Sang-Woon Jeon**, Namyangju-si (KR);
Sun-Min Lee, Seoul (KR); **Se-Youn**
Park, Incheon (KR); **Jae-Moon Lee**,
Seoul (KR)
(73) Assignee: **Samsung Electronics Co., Ltd.** (KR)

U.S. PATENT DOCUMENTS

4,732,301	A *	3/1988	Tobias et al.	222/203
7,942,016	B2 *	5/2011	Johnson et al.	62/340
8,511,106	B2 *	8/2013	Ducharme et al.	62/344
8,528,302	B1 *	9/2013	Shaker et al.	53/127
8,627,679	B2 *	1/2014	Anselmino et al.	62/344
8,720,221	B2 *	5/2014	Anselmino et al.	62/344

* cited by examiner

Primary Examiner — Mitchell Siegel

(74) *Attorney, Agent, or Firm* — Cantor Colburn LLP

(**) Term: **14 Years**

(57) **CLAIM**

The ornamental design for an element for refrigerator, as shown and described.

(21) Appl. No.: **29/458,681**

DESCRIPTION

(22) Filed: **Jun. 21, 2013**

FIG. 1 is a perspective view of an element for refrigerator showing our new design;
FIG. 2 is a front view thereof;
FIG. 3 is a rear view thereof;
FIG. 4 is a left side view thereof;
FIG. 5 is a right side view thereof;
FIG. 6 is a top plan view thereof;
FIG. 7 is a bottom plan view thereof;
FIG. 8 is an exploded view thereof;
FIG. 9 is a perspective view of a part thereof; and,
FIG. 10 is another perspective view of a part thereof.
The broken lines are shown for disclosure or illustrative purposes only and form no part of the claimed design.

(30) **Foreign Application Priority Data**

Jan. 8, 2013 (KR) 30-2013-0001223

(51) **LOC (10) Cl.** **15-07**

(52) **U.S. Cl.**
USPC **D15/89**

(58) **Field of Classification Search**
USPC D15/79-89; 222/203, 238; 62/340, 344
See application file for complete search history.

1 Claim, 10 Drawing Sheets

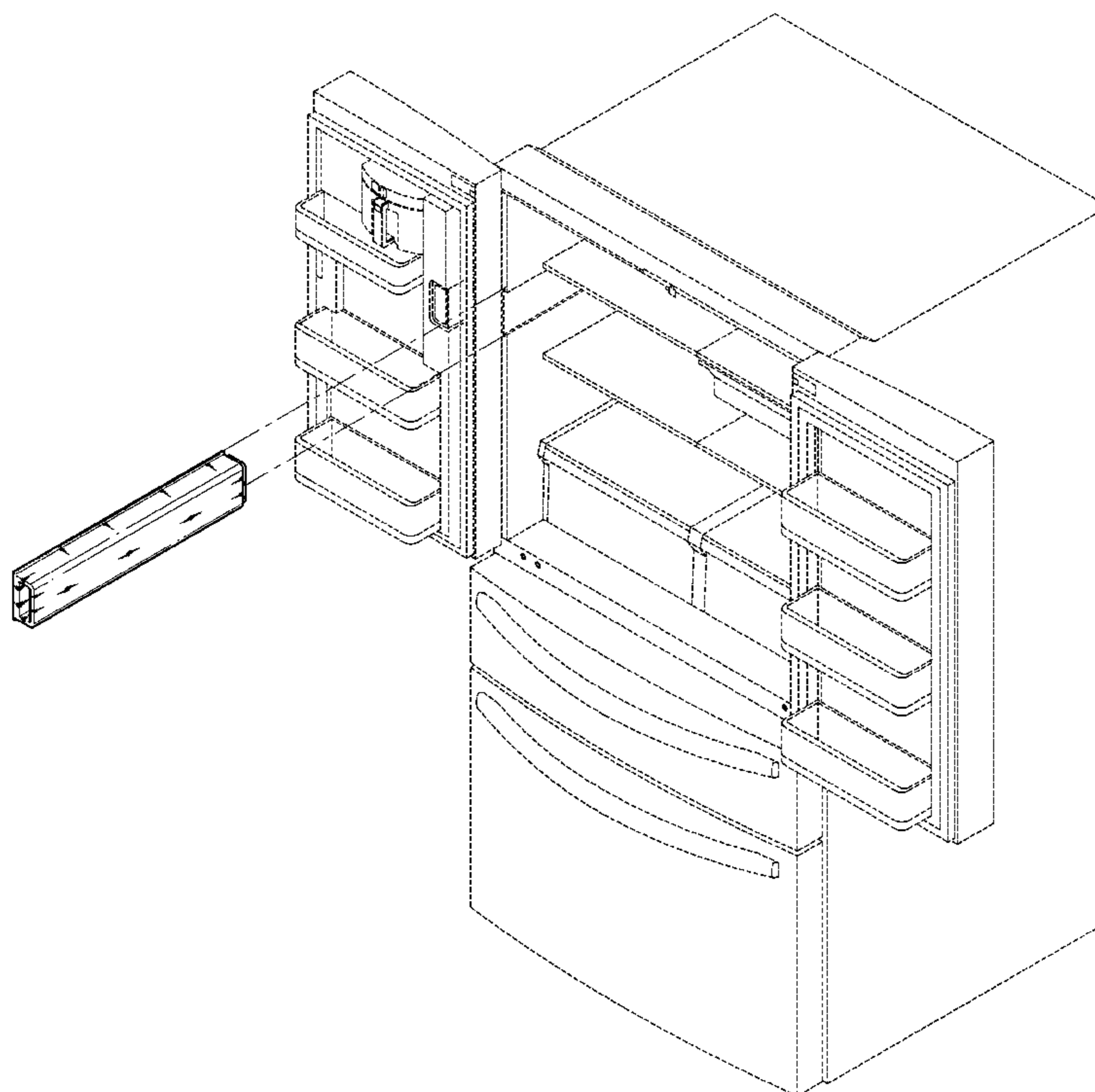


FIG. 1

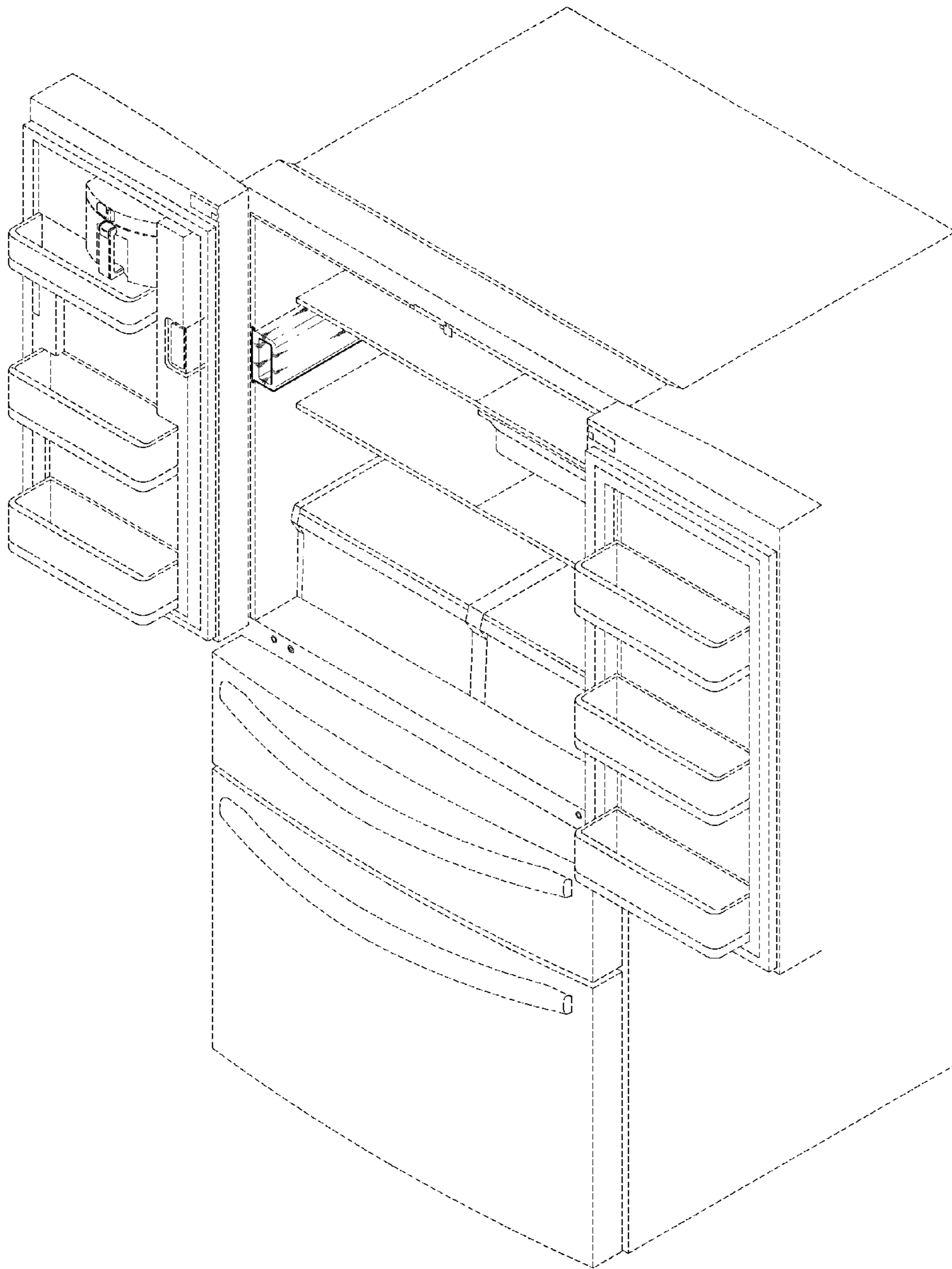


FIG. 2

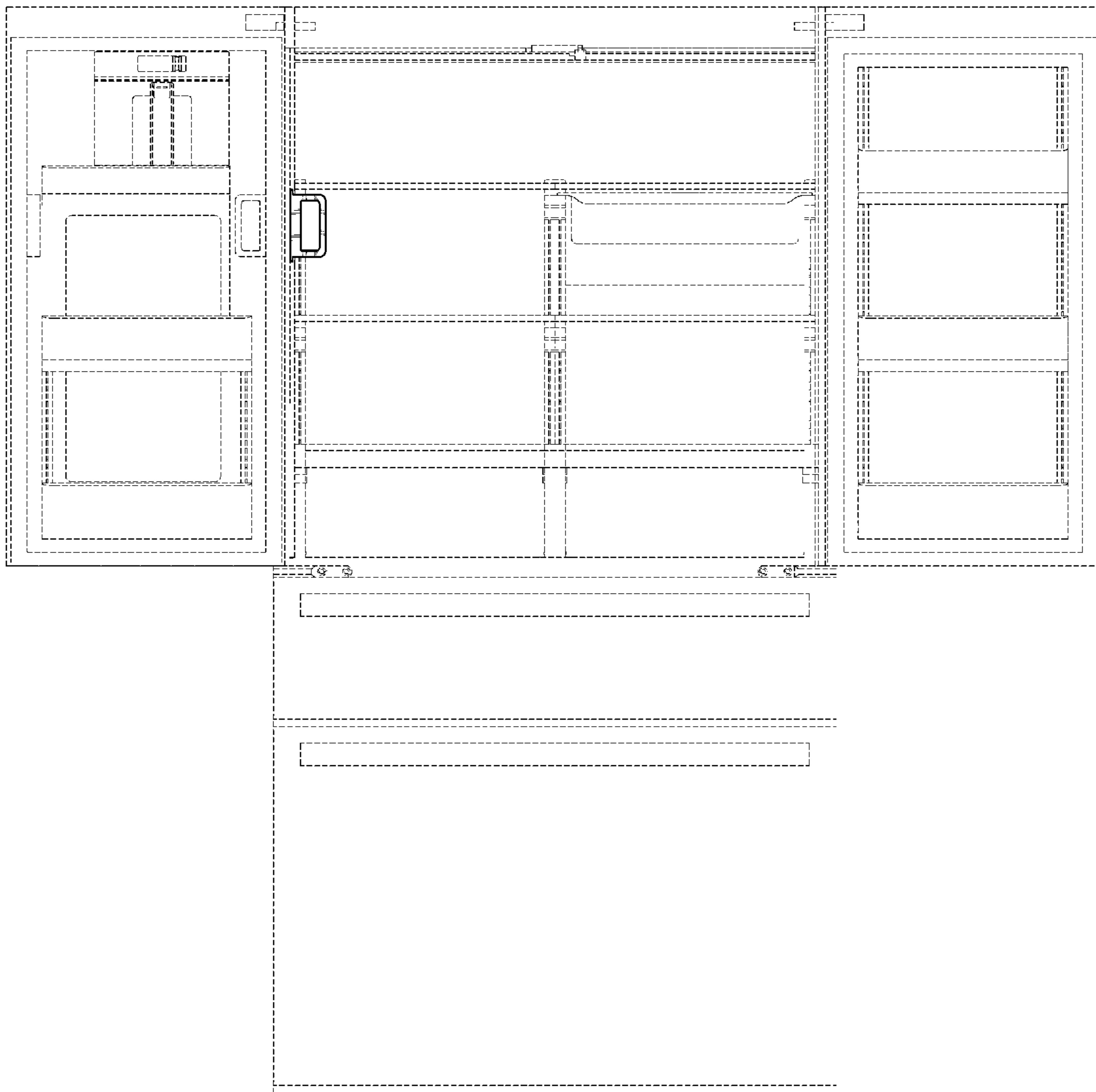


FIG. 3

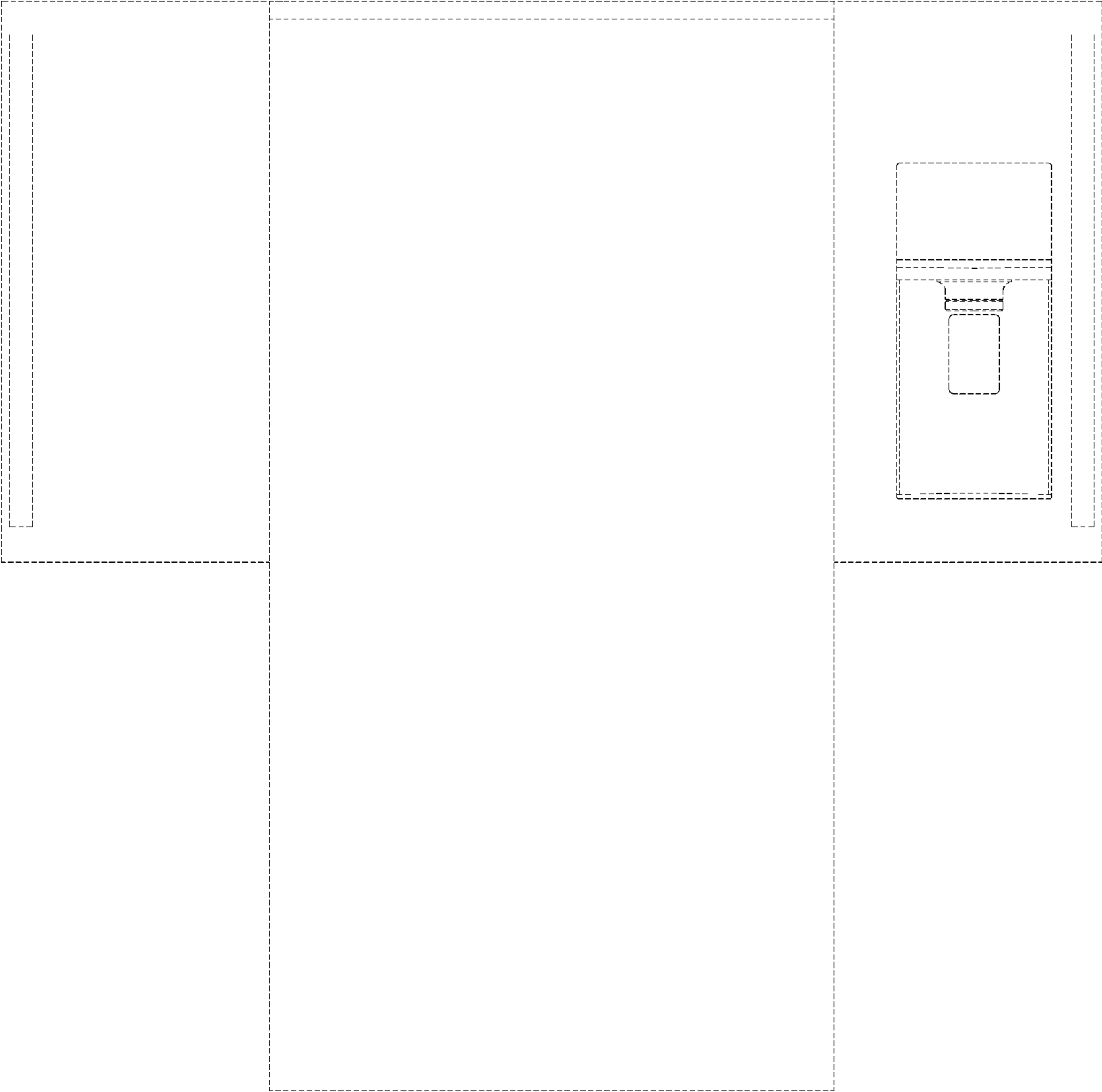


FIG. 4

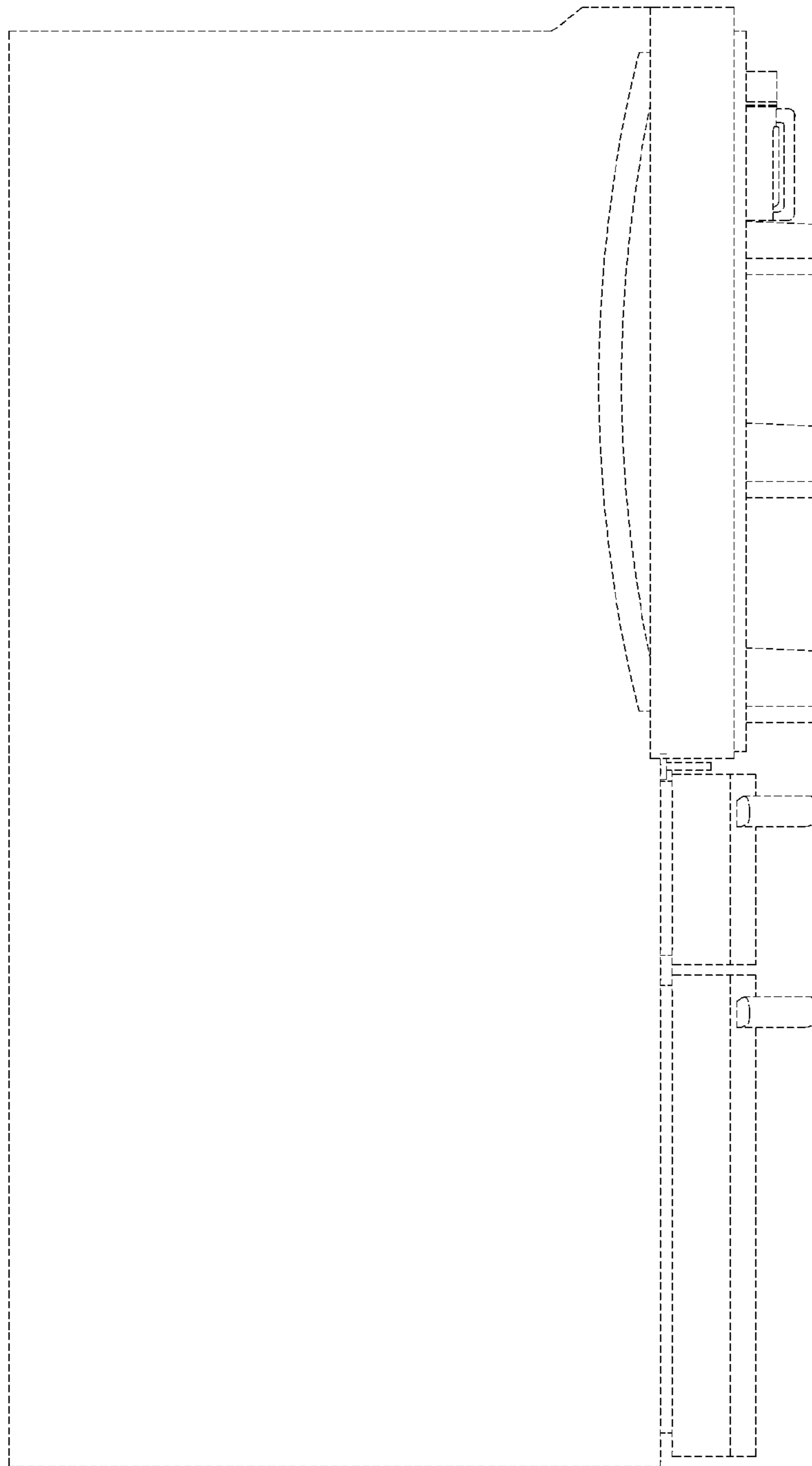


FIG. 5

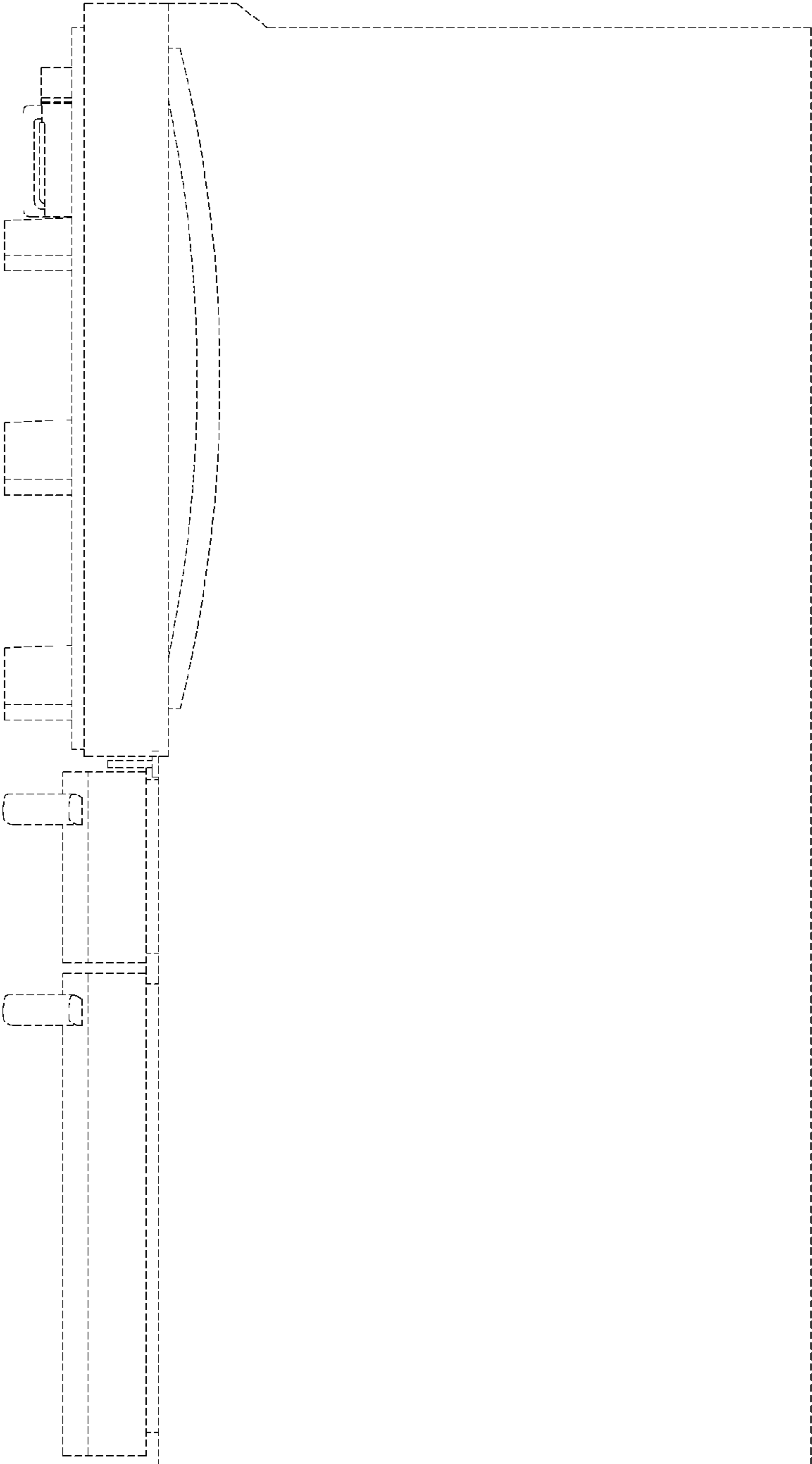


FIG. 6

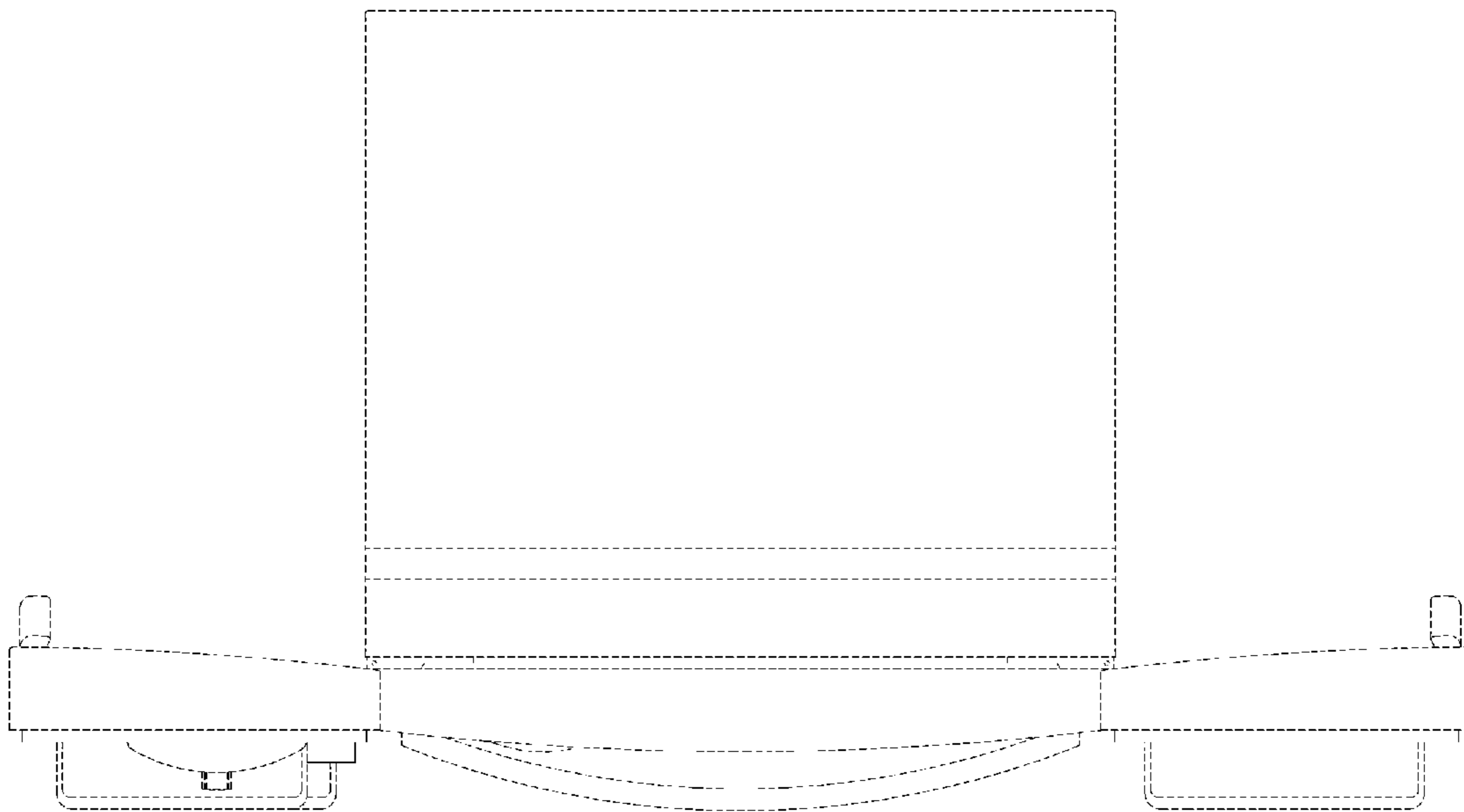


FIG. 7

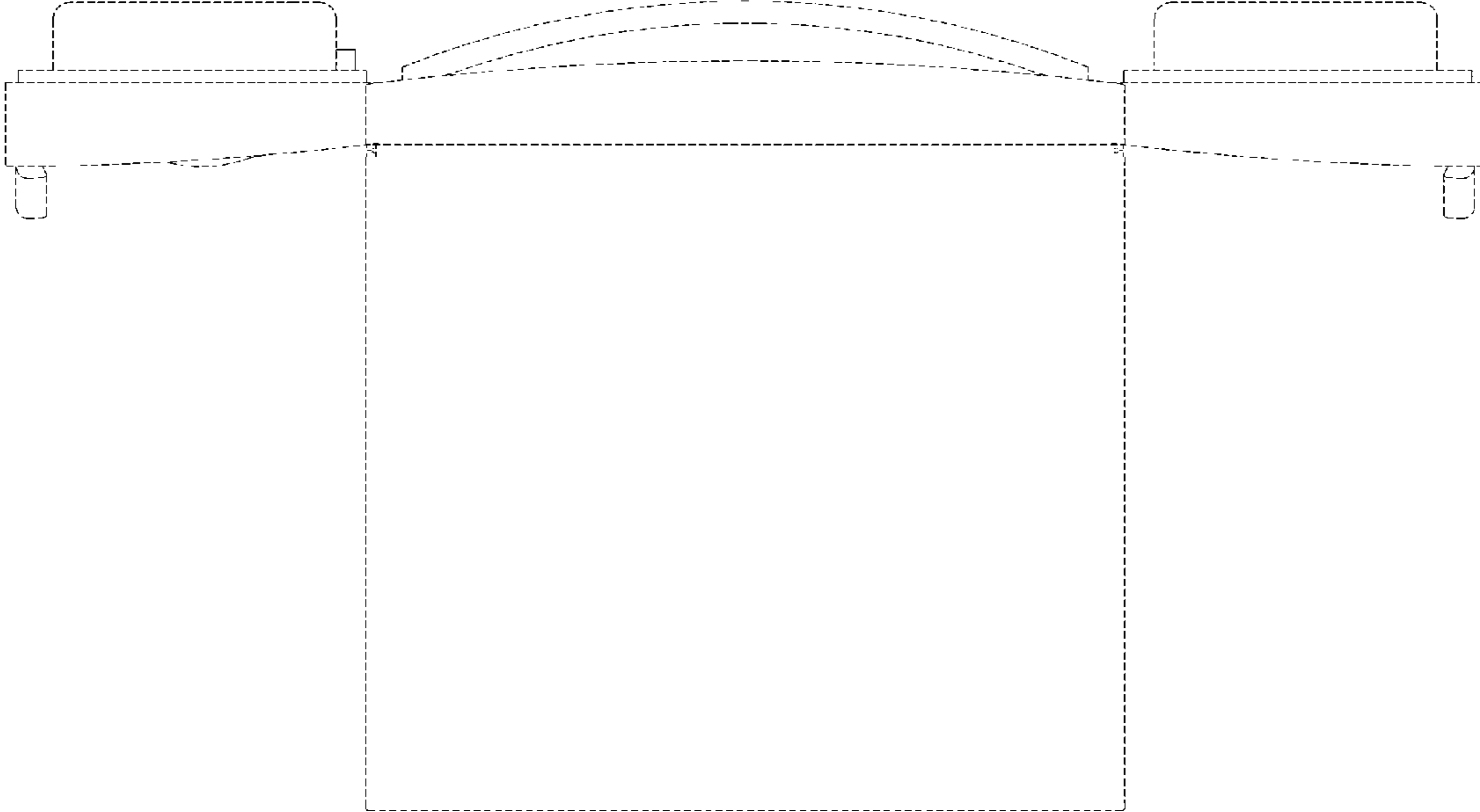


FIG. 8

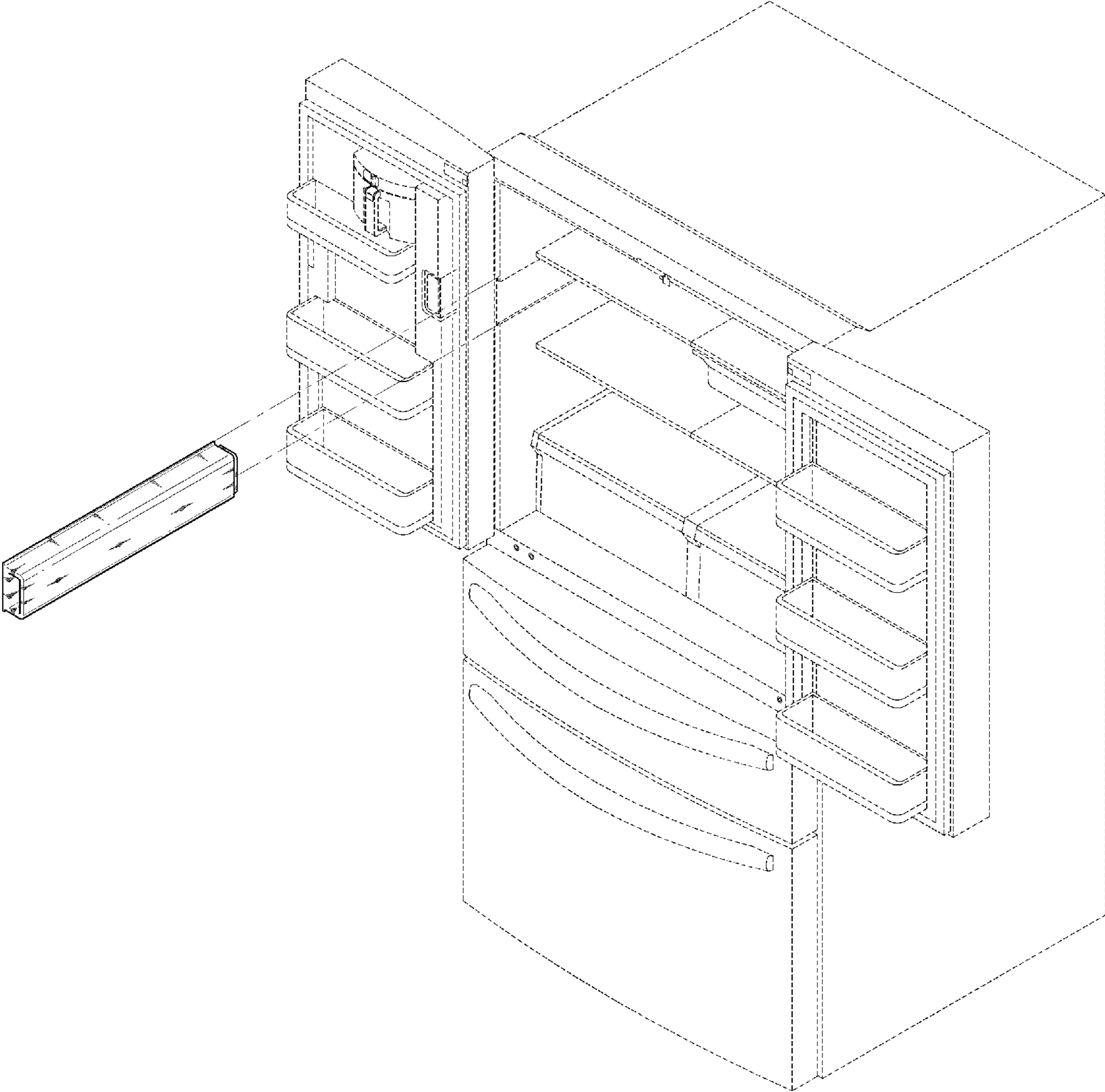


FIG. 9

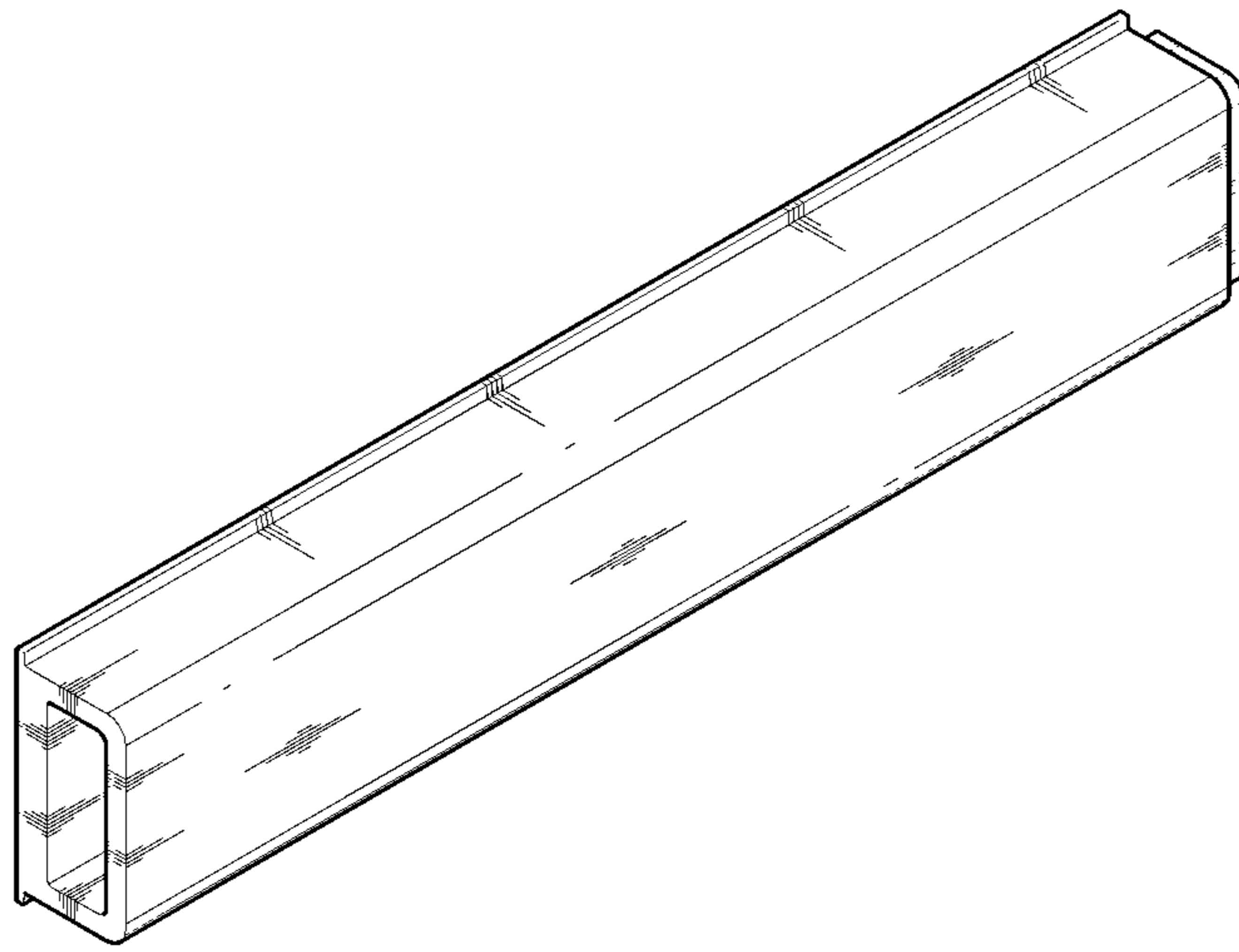


FIG. 10

