

US00D727375S

(12) **United States Design Patent**
You et al.

(10) **Patent No.:** **US D727,375 S**

(45) **Date of Patent:** **** Apr. 21, 2015**

(54) **REFRIGERATOR**

(71) Applicant: **LG Electronics Inc.**, Seoul (KR)

(72) Inventors: **Myungdong You**, Incheon (KR);
Hyungki Kim, Seoul (KR); **Junyi Heo**,
Jeollabuk-do (KR)

(73) Assignee: **LG Electronics Inc.**, Seoul (KR)

(**) Term: **14 Years**

(21) Appl. No.: **29/475,356**

(22) Filed: **Dec. 3, 2013**

(30) **Foreign Application Priority Data**

Jun. 13, 2013 (KR) 30-2013-0030702

(51) **LOC (10) Cl.** **15-07**

(52) **U.S. Cl.**
USPC **D15/86**

(58) **Field of Classification Search**
USPC D15/79-91; 312/114-119, 236, 352,
312/400-408; 62/3.1-3.64, 293, 371, 400,
62/467, 529, 531, 73, 80, 138, 246-254,
62/340, 457.1

See application file for complete search history.

(56) **References Cited**

U.S. PATENT DOCUMENTS

D578,555 S *	10/2008	Yeo et al.	D15/85
D615,109 S *	5/2010	Yang et al.	D15/86
D625,342 S *	10/2010	Seo et al.	D15/85
D633,114 S *	2/2011	Seo et al.	D15/86
D641,384 S *	7/2011	Yang et al.	D15/86
D660,325 S *	5/2012	Yang et al.	D15/86
D674,416 S *	1/2013	Seo et al.	D15/86
D690,329 S *	9/2013	Seo et al.	D15/86
D692,929 S *	11/2013	Seo et al.	D15/86
D708,234 S *	7/2014	Yunho	D15/86

* cited by examiner

Primary Examiner — Stella Reid

Assistant Examiner — Khawaja Anwar

(74) *Attorney, Agent, or Firm* — Morgan, Lewis & Bockius
LLP

(57) **CLAIM**

The ornamental design for a refrigerator, as shown and described.

DESCRIPTION

FIG. 1 is a perspective view of a refrigerator showing our new design;

FIG. 2 is a front view thereof;

FIG. 3 is a rear view thereof;

FIG. 4 is a left side view thereof;

FIG. 5 is a right side view thereof;

FIG. 6 is a top plan view thereof; and,

FIG. 7 is a bottom plan view thereof.

1 Claim, 7 Drawing Sheets

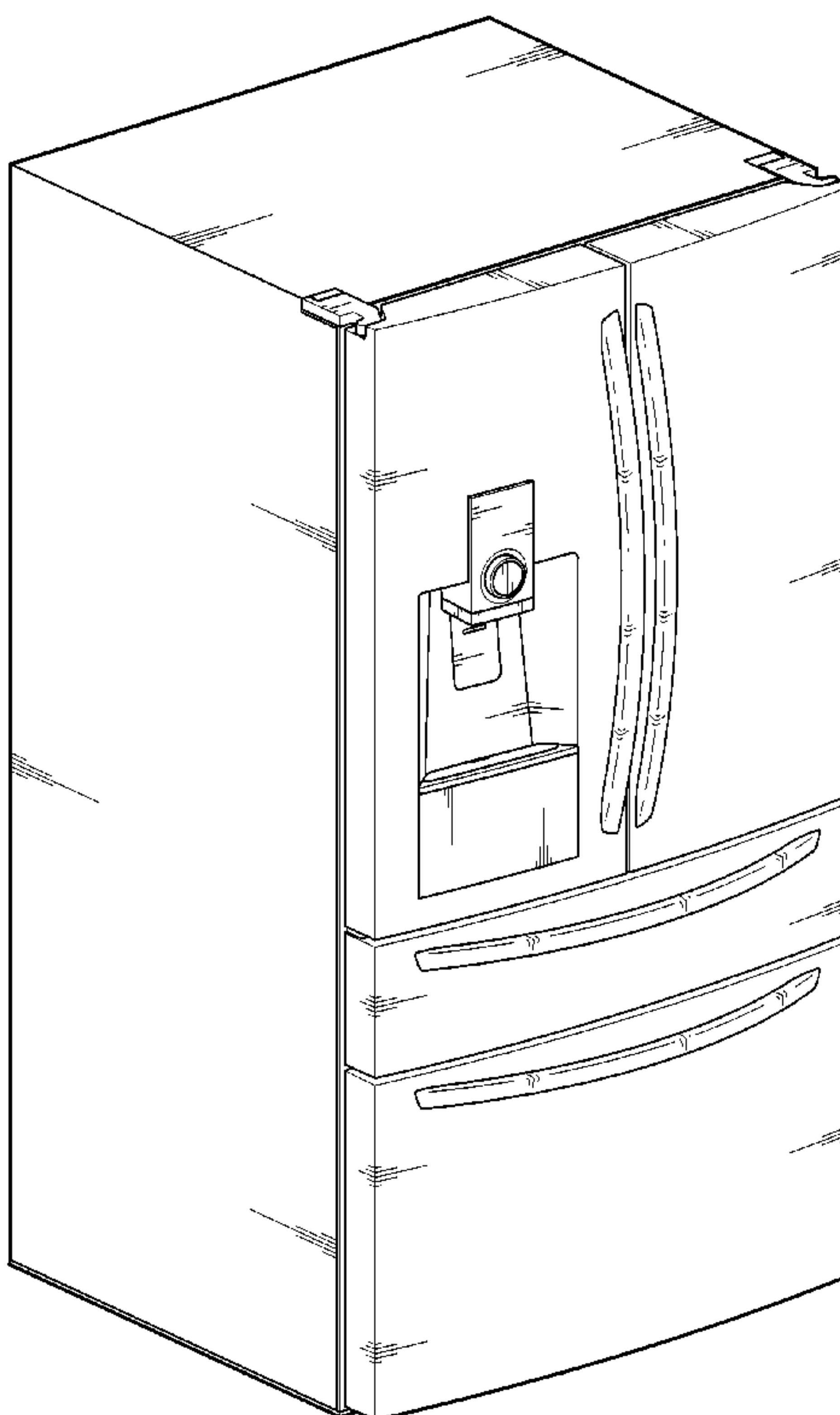


FIG. 1

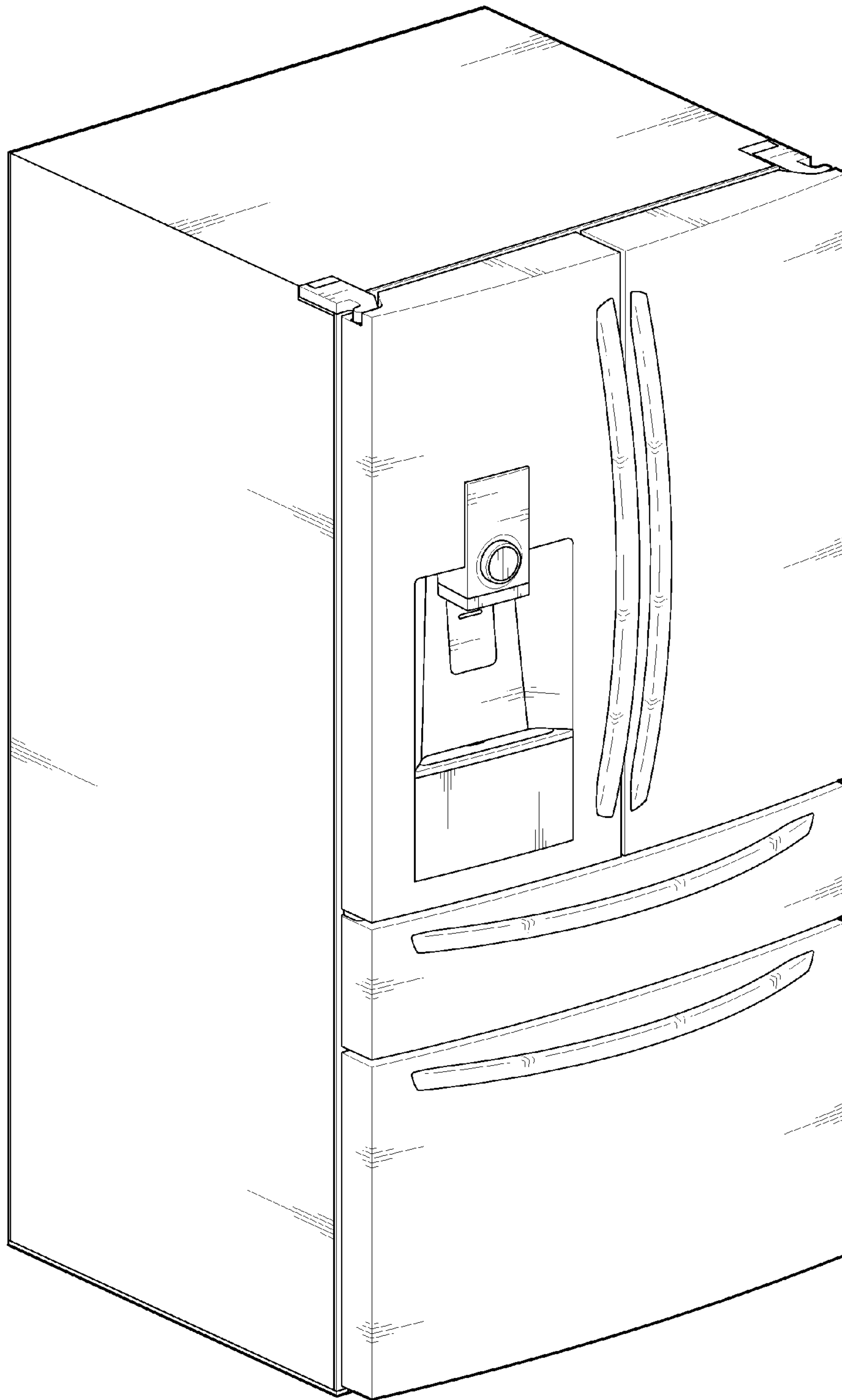


FIG. 2

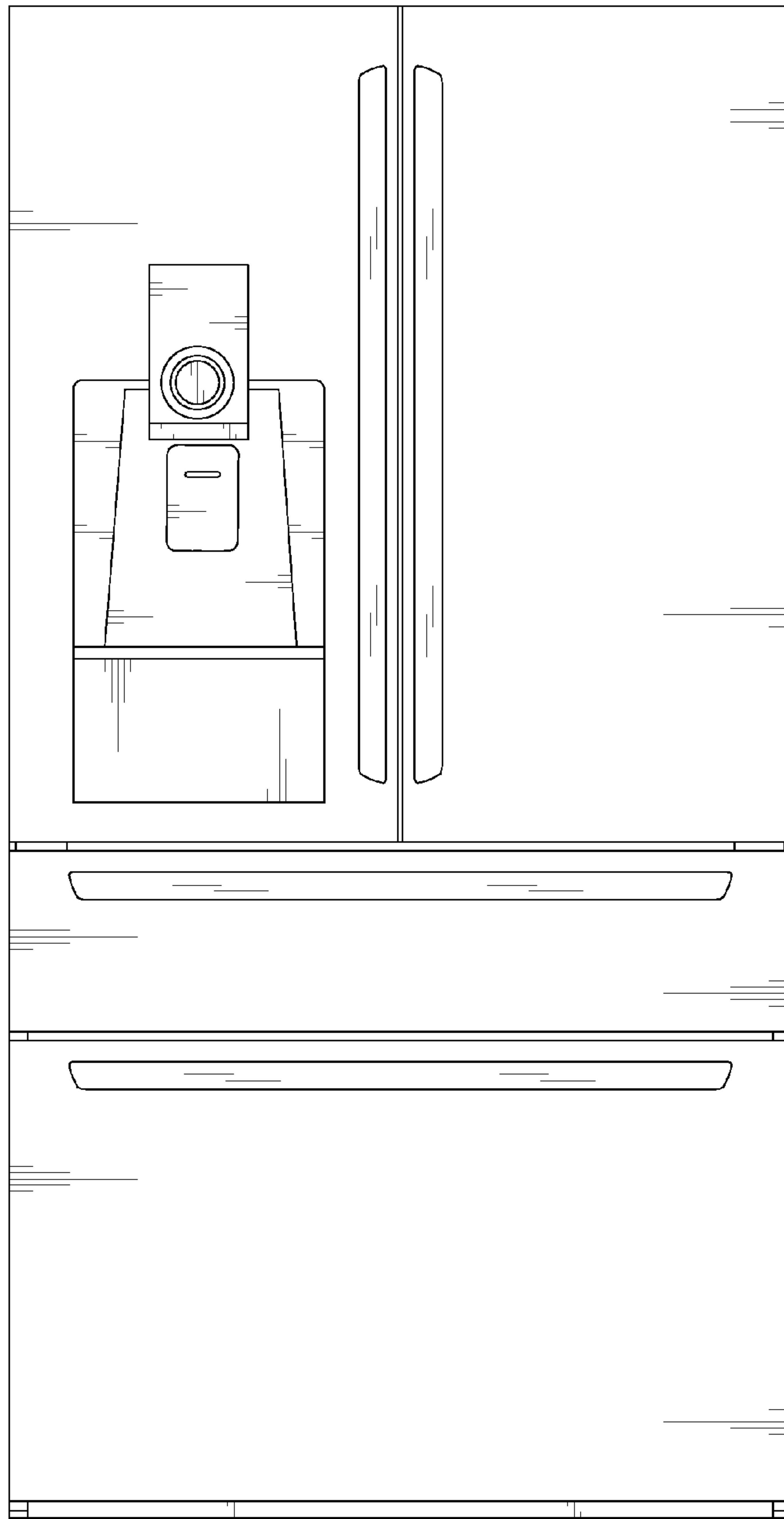


FIG. 3

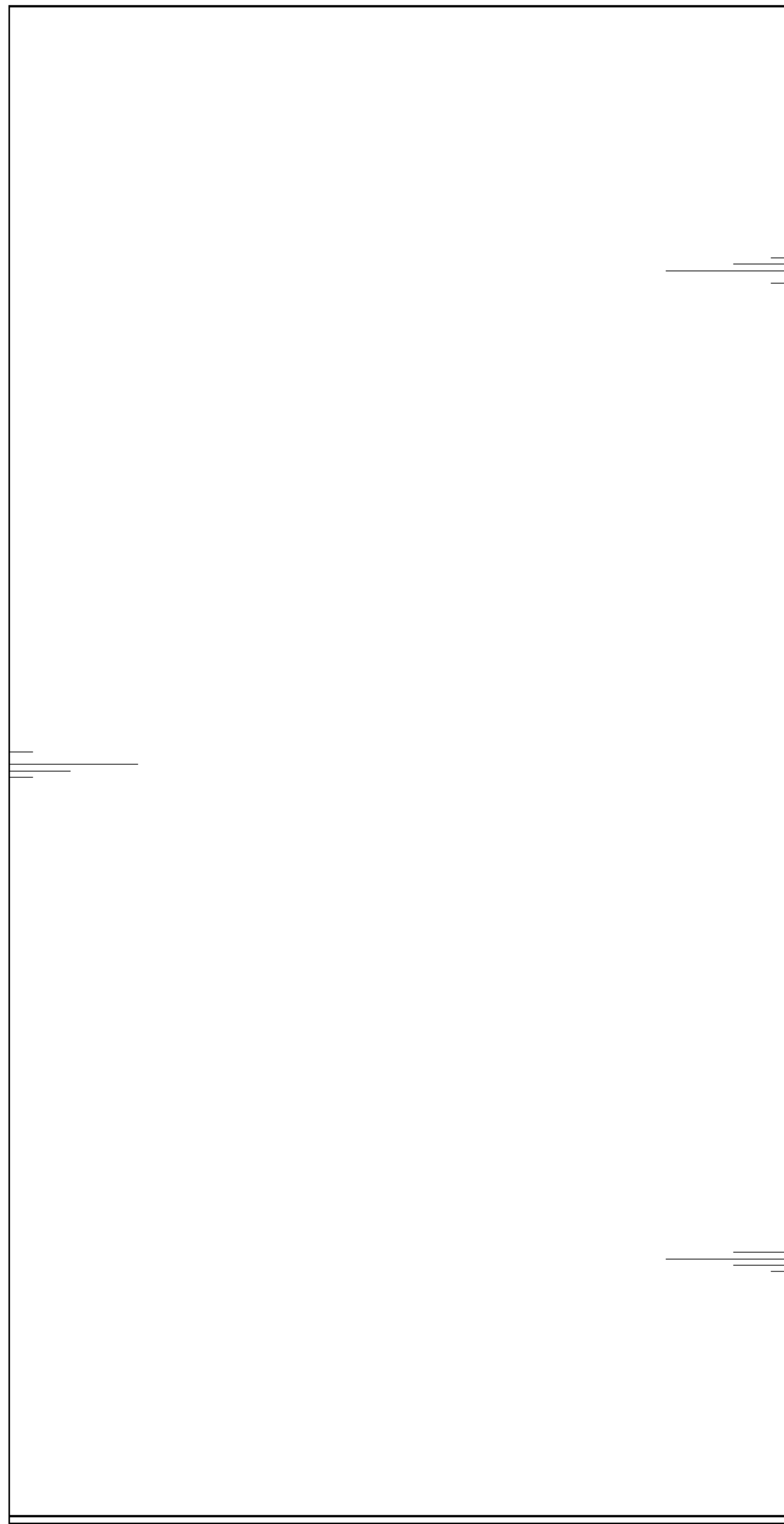


FIG. 4

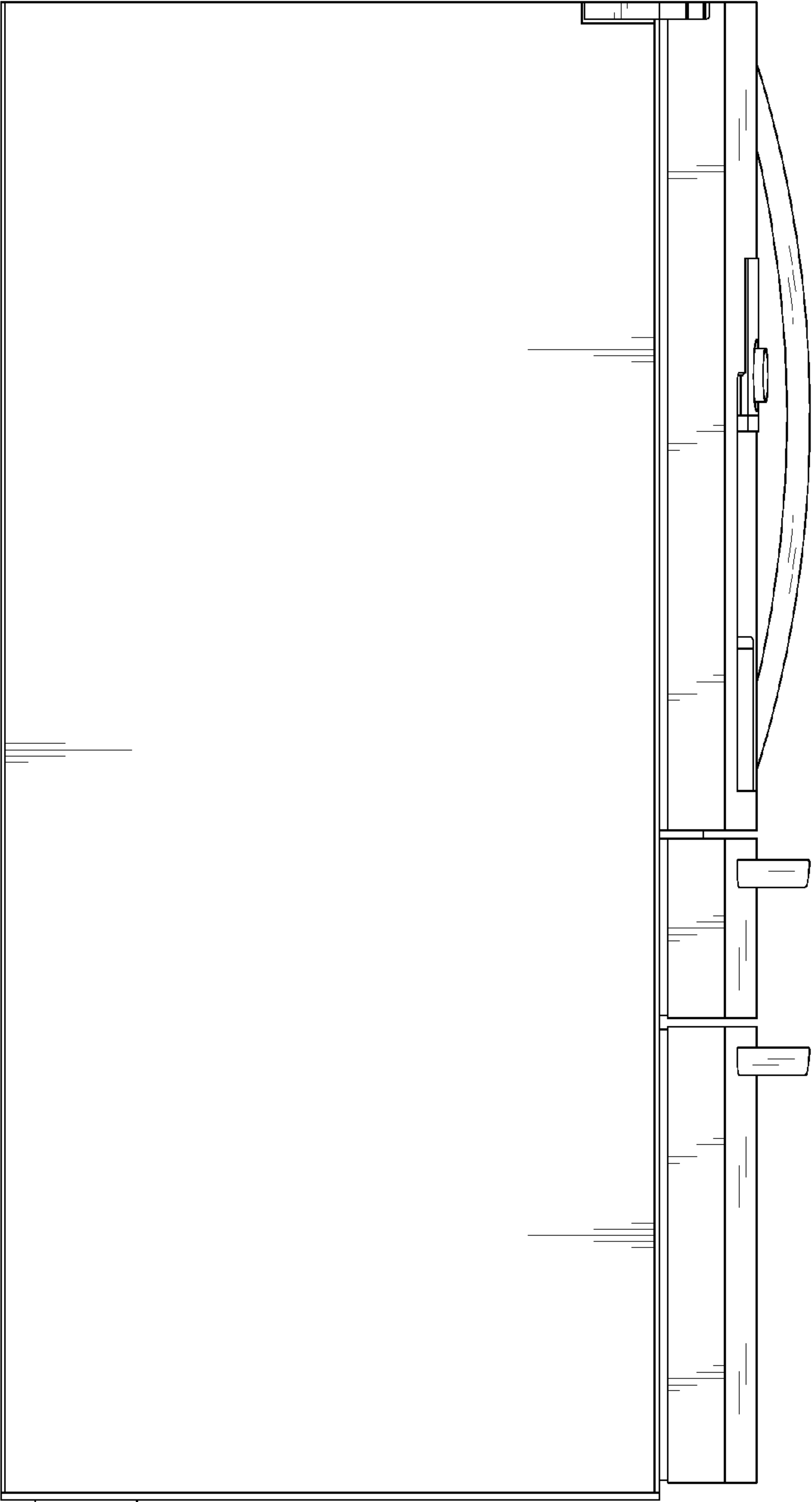


FIG. 5

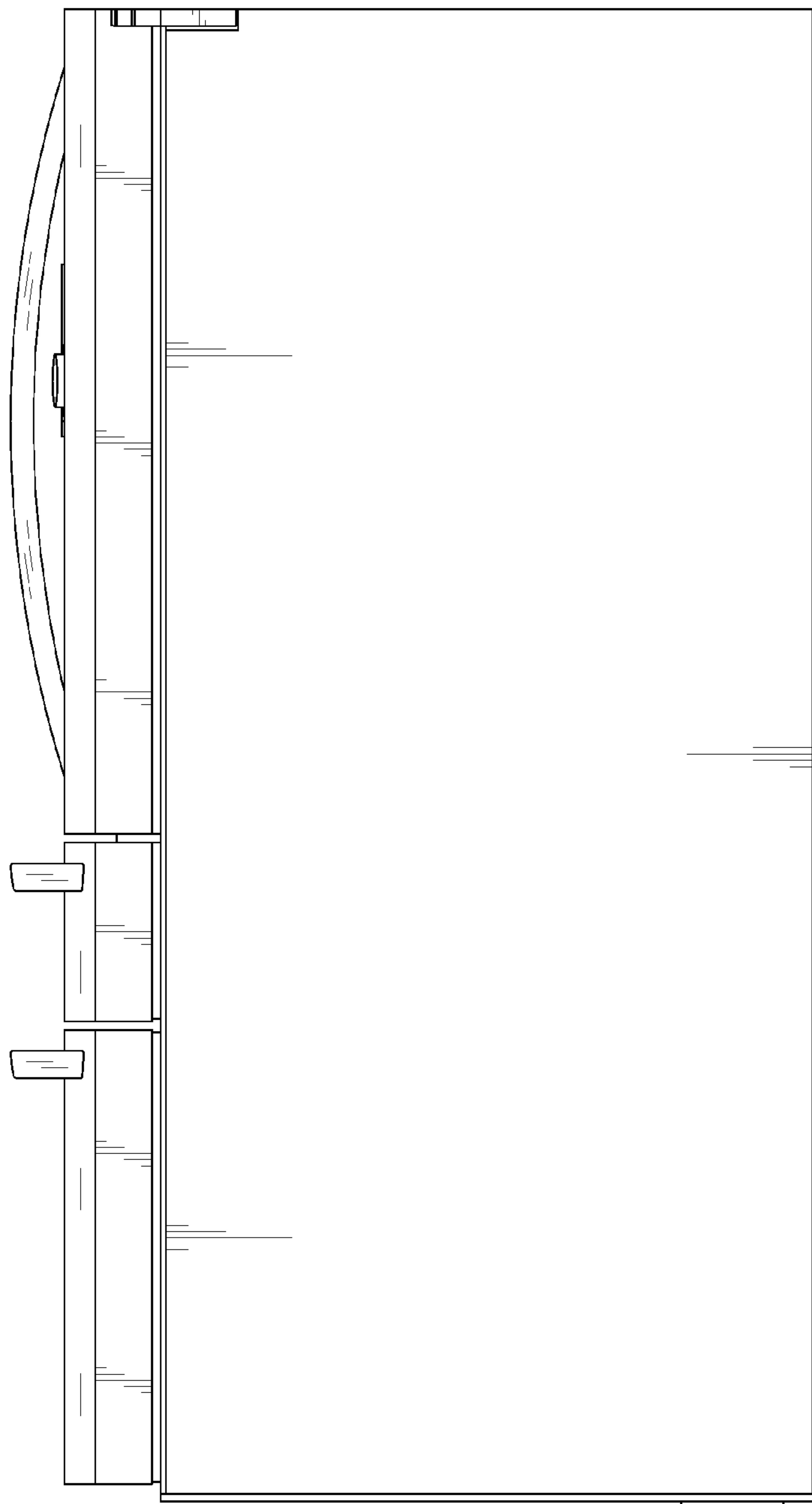


FIG. 6

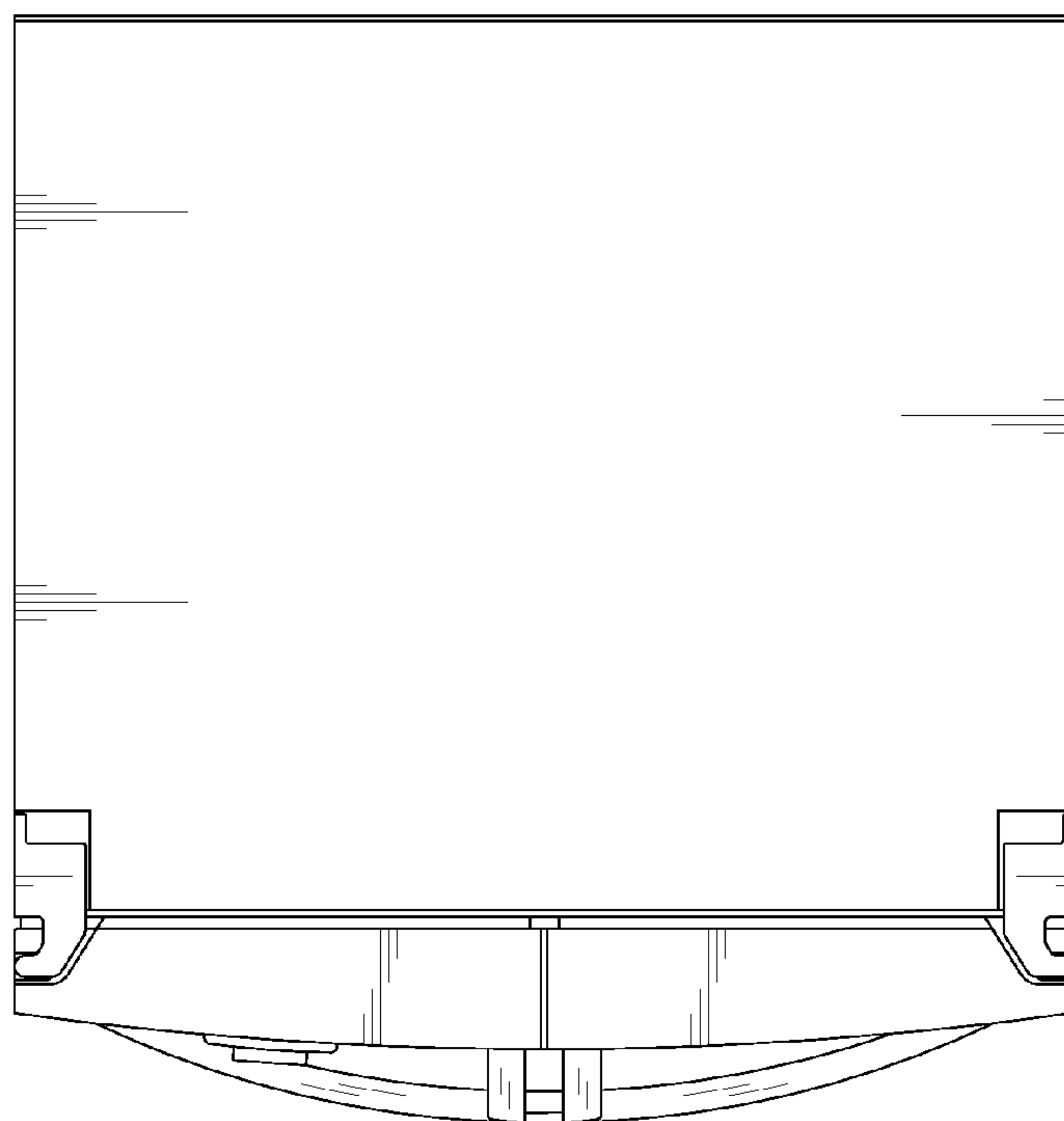


FIG. 7

