



US00D727373S

(12) **United States Design Patent**  
**Drechsel et al.**

(10) **Patent No.:** **US D727,373 S**

(45) **Date of Patent:** **\*\* Apr. 21, 2015**

(54) **SEWING MACHINE**

D465,794 S \* 11/2002 Tsai ..... D15/69  
D468,324 S \* 1/2003 Tsai ..... D15/69  
D523,031 S \* 6/2006 Muto ..... D15/69  
D693,378 S \* 11/2013 Yamamoto et al. .... D15/69

(71) Applicant: **Dürkopp Adler AG**, Bielefeld (DE)

(72) Inventors: **Gerd Steffen Drechsel**, Gotha (DE);  
**Christoph Heckner**, Enger (DE)

\* cited by examiner

(73) Assignee: **Dürkopp Adler AG**, Bielefeld (DE)

*Primary Examiner* — Stella Reid

*Assistant Examiner* — Khawaja Anwar

(\*\*) Term: **14 Years**

(74) *Attorney, Agent, or Firm* — McGlew and Tuttle, P.C.

(21) Appl. No.: **29/455,341**

(57) **CLAIM**

(22) Filed: **May 20, 2013**

The ornamental design for a sewing machine, as shown and described.

(30) **Foreign Application Priority Data**

**DESCRIPTION**

Nov. 26, 2012 (WO) ..... DM/079 619

(51) **LOC (10) Cl.** ..... **15-06**

(52) **U.S. Cl.**  
USPC ..... **D15/69**

(58) **Field of Classification Search**  
USPC ..... D15/66-78; 112/217.1-217.4,  
112/255-261, 475.01

See application file for complete search history.

FIG. 1 is a front view of a sewing machine, showing our new design;

FIG. 2 is a rear view thereof wherein the broken lines are included to show unclaimed environment only and form no part of the claimed design;

FIG. 3 is a top view thereof wherein the broken lines are included to show unclaimed environment only and form no part of the claimed design;

FIG. 4 is a bottom view thereof;

FIG. 5 is a lateral view (right side) thereof;

FIG. 6 is a lateral view (left side) thereof; and,

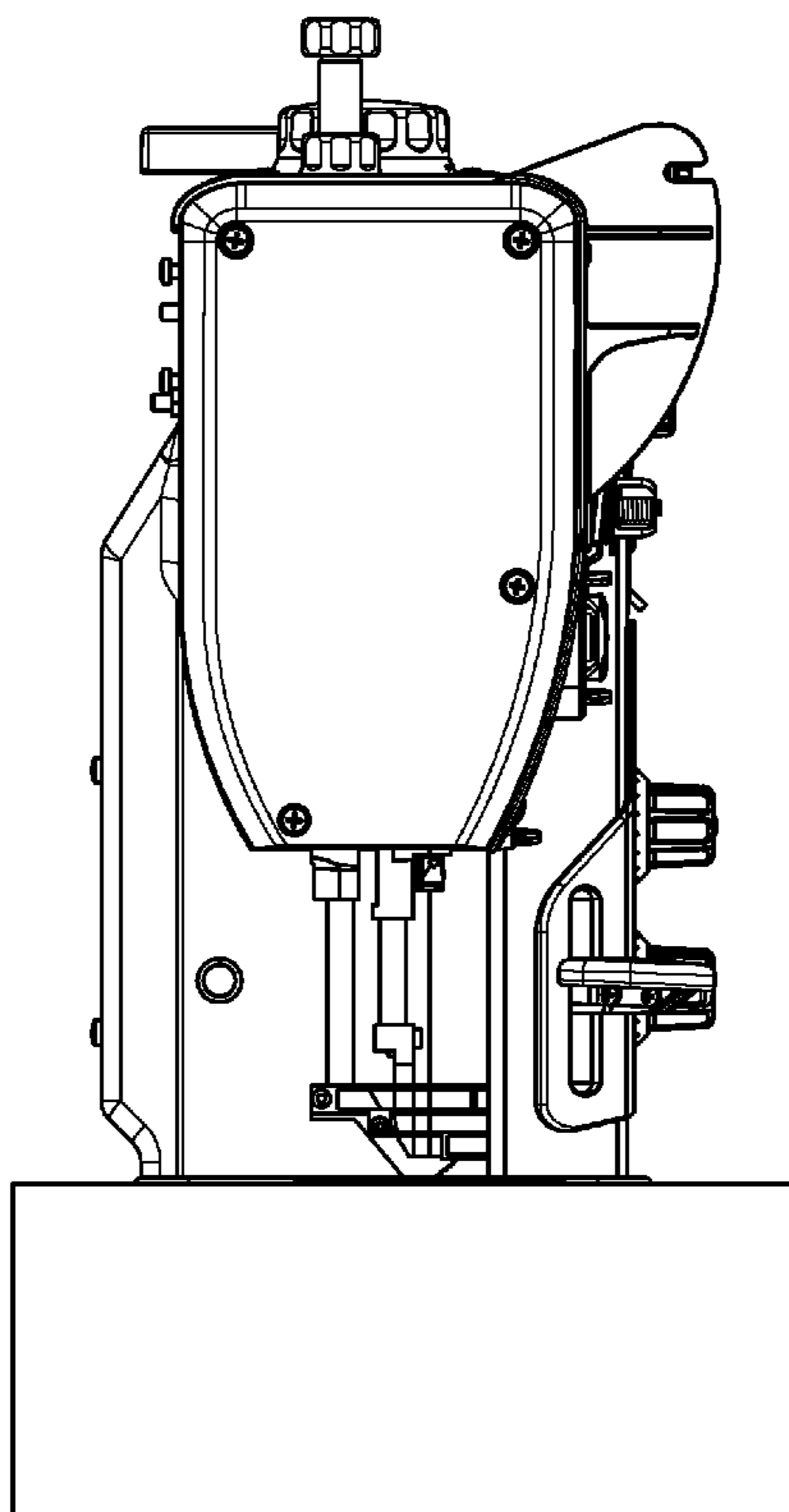
FIG. 7 is a perspective view thereof.

(56) **References Cited**

**U.S. PATENT DOCUMENTS**

D250,116 S \* 10/1978 LaPolice ..... D15/69  
D375,104 S \* 10/1996 Shibuya ..... D15/69

**1 Claim, 7 Drawing Sheets**



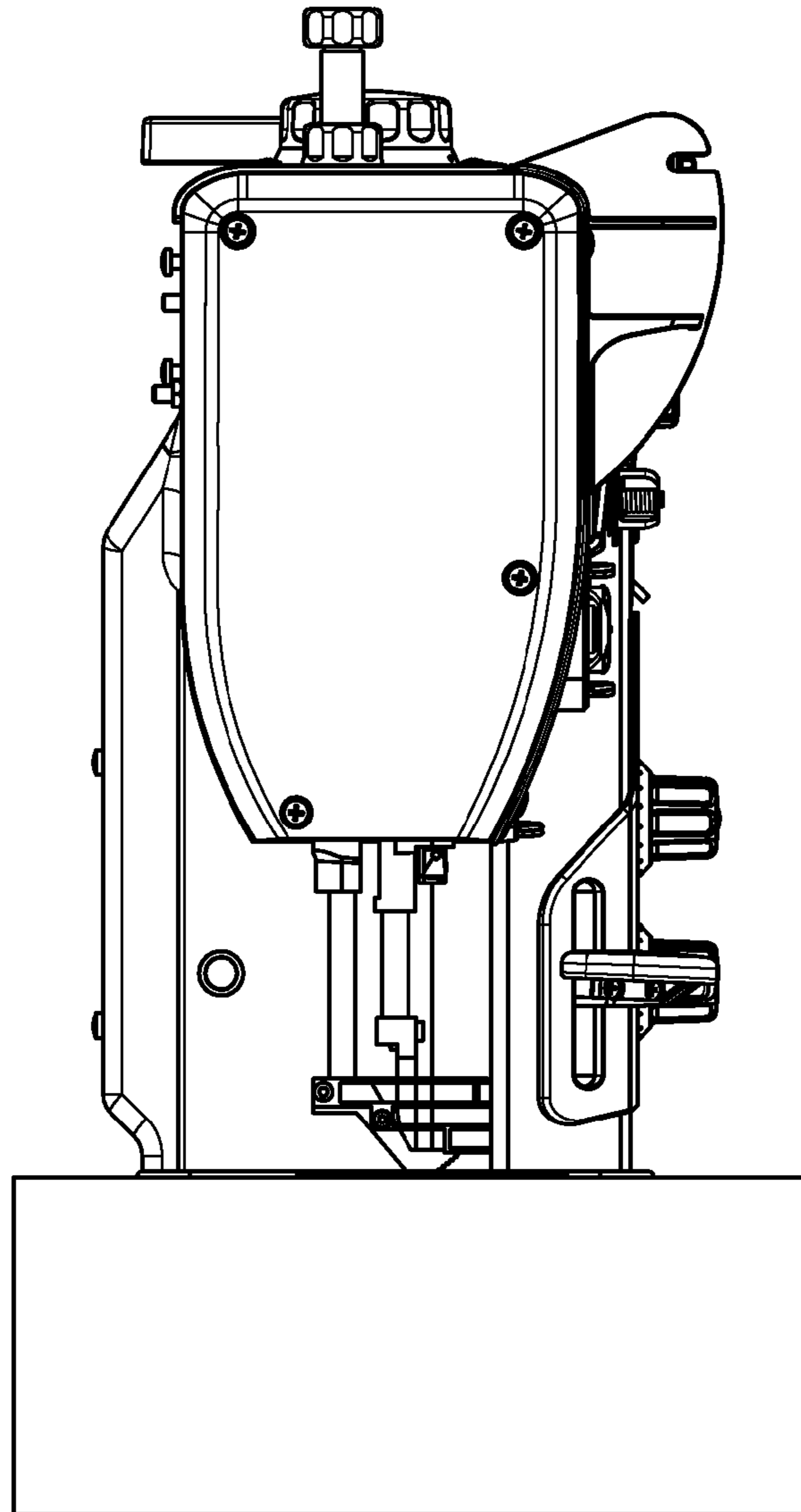


FIG. 1

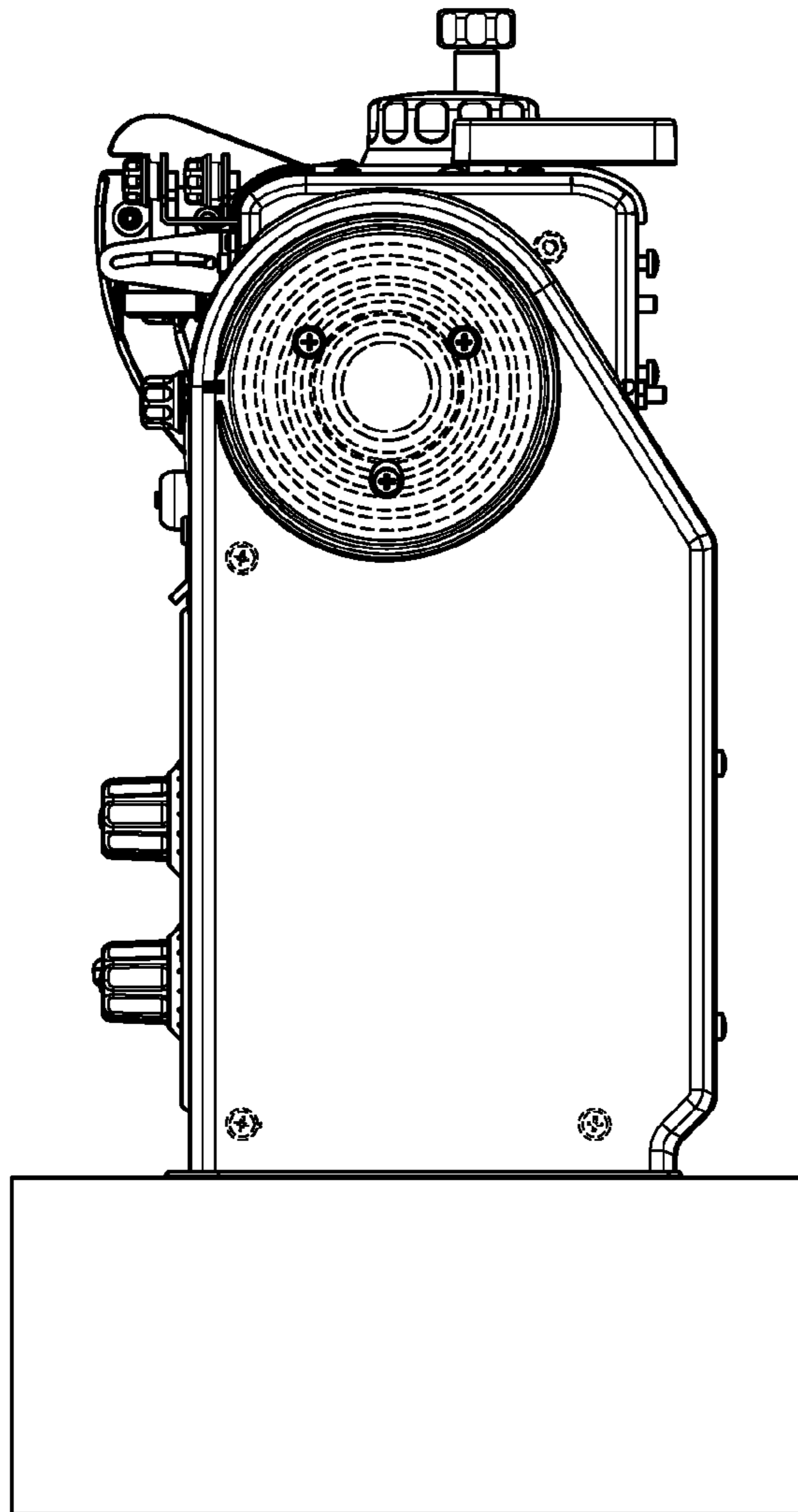


FIG. 2

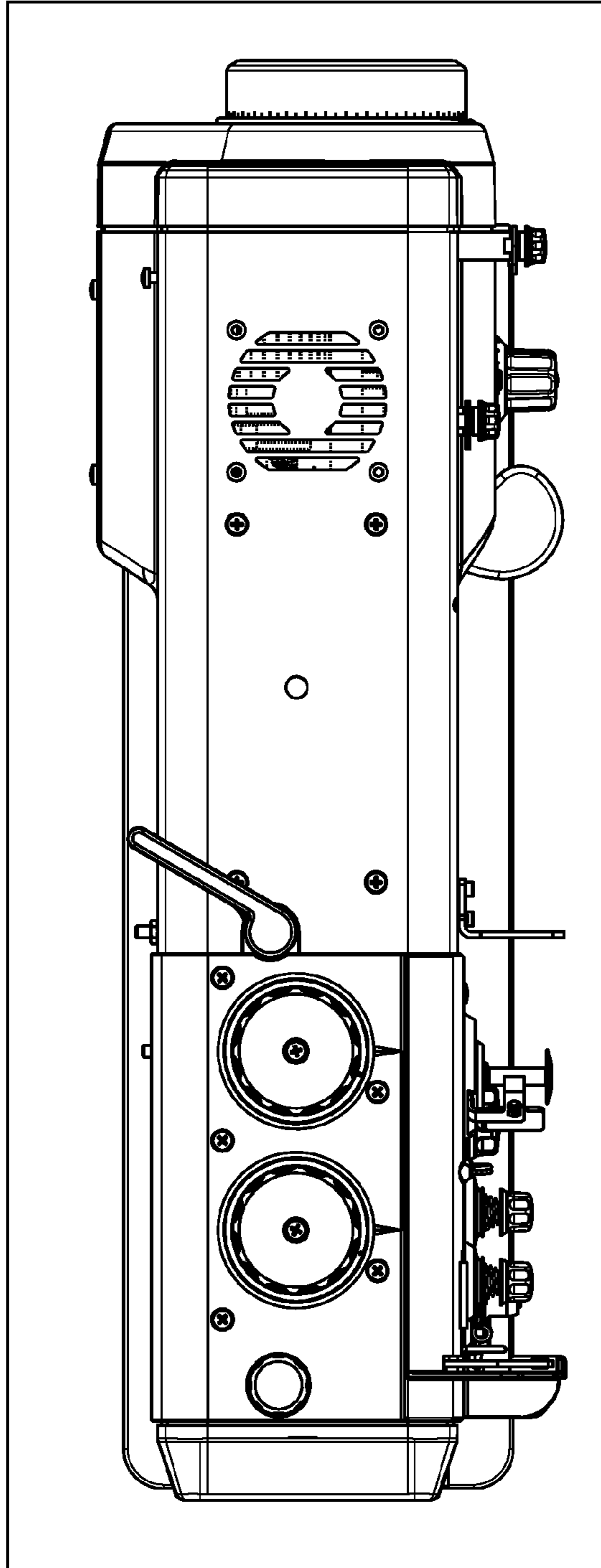
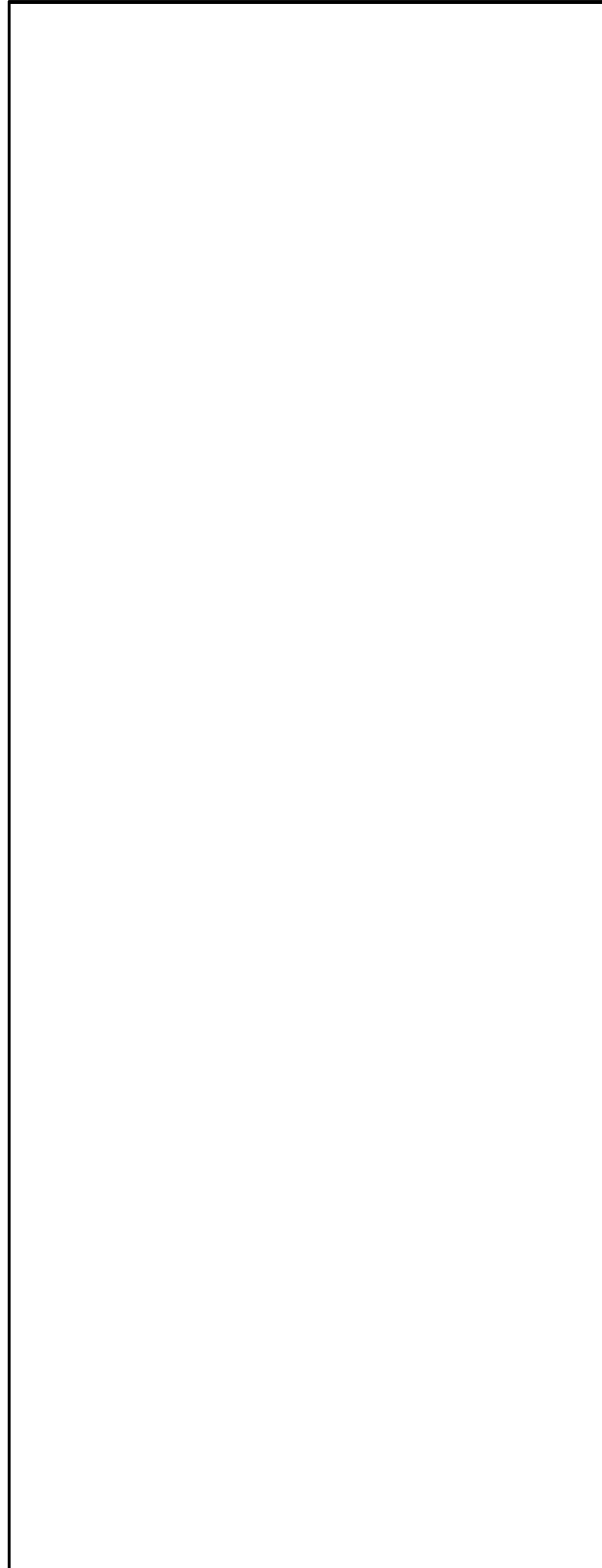


FIG. 3



**FIG. 4**

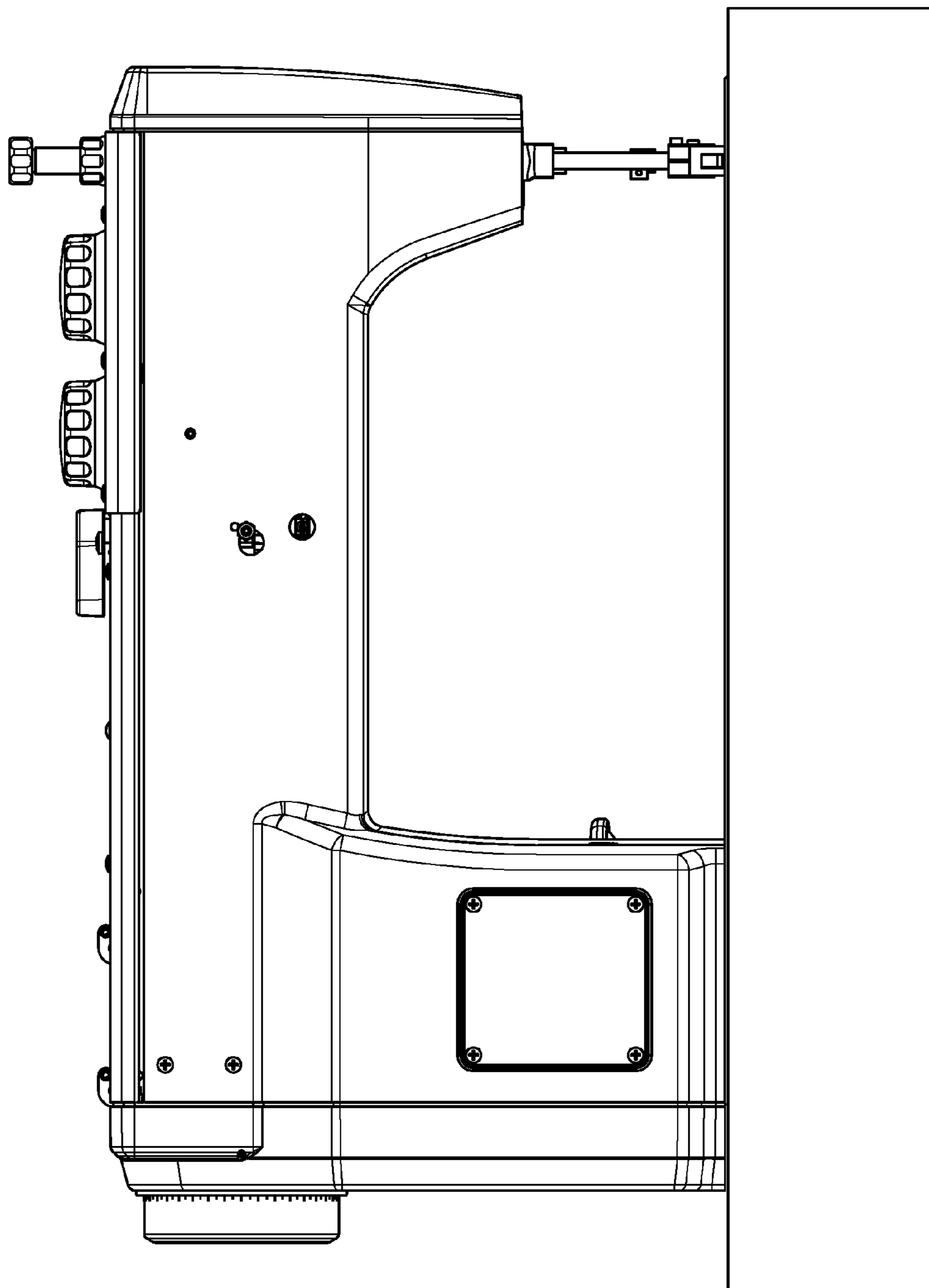


FIG. 5

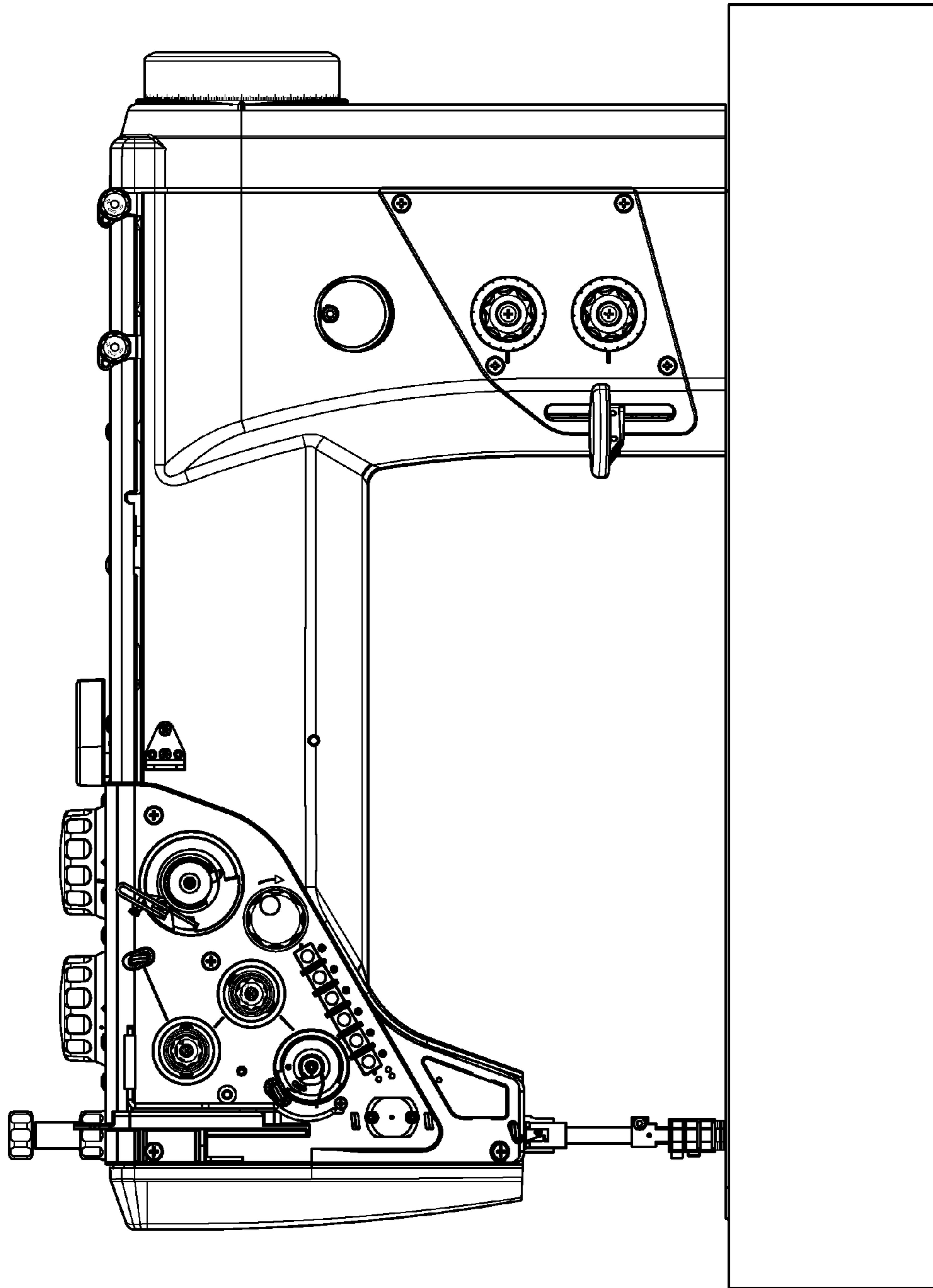


FIG. 6

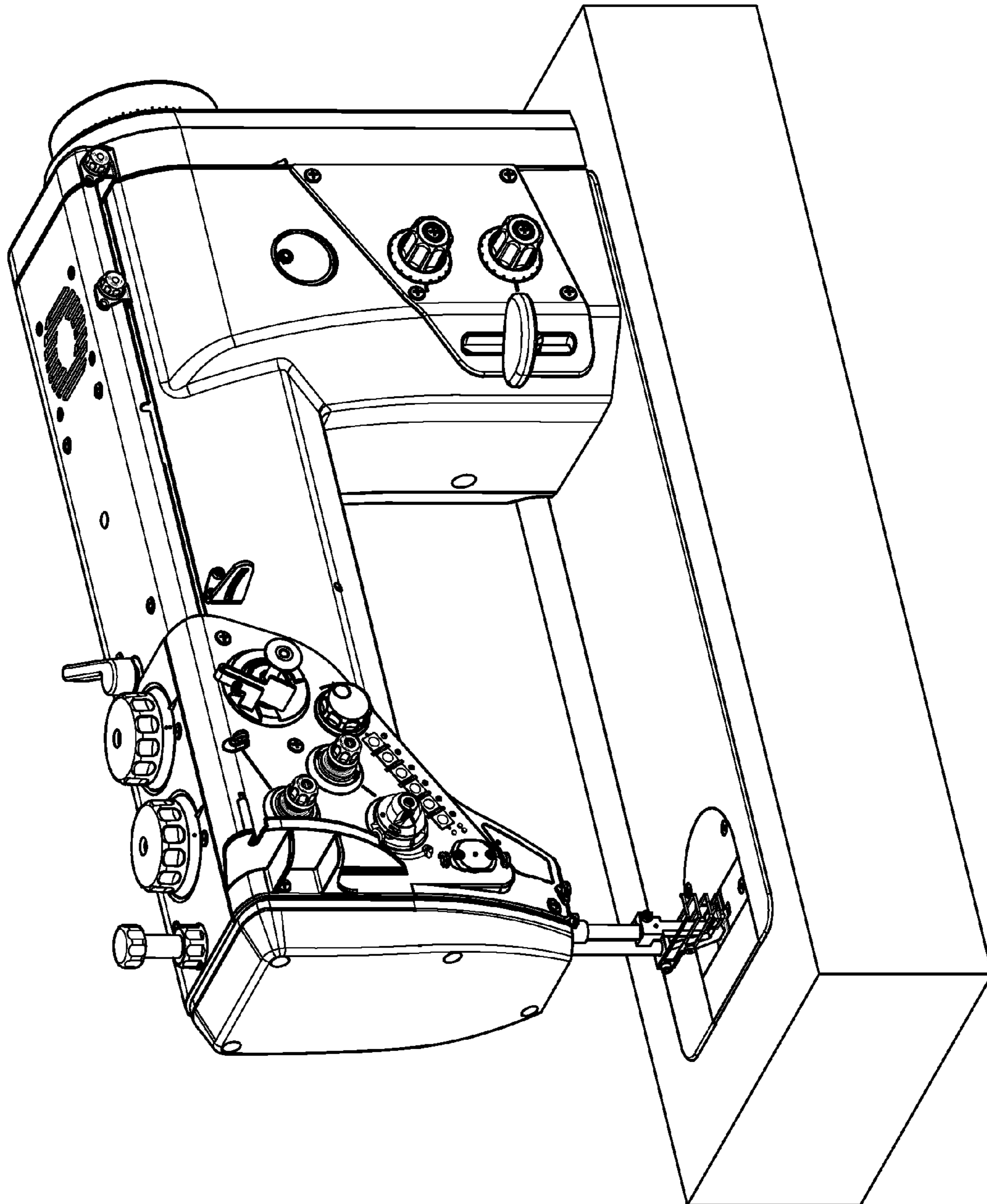


FIG. 7