



US00D727372S

(12) **United States Design Patent**  
**Dreschel et al.**

(10) **Patent No.:** **US D727,372 S**

(45) **Date of Patent:** **\*\* Apr. 21, 2015**

(54) **SEWING MACHINE**

(71) Applicant: **Dürkopp Adler AG**, Bielefeld (DE)

(72) Inventors: **Gerd Steffen Dreschel**, Gotha (DE);  
**Christoph Heckner**, Enger (DE)

(73) Assignee: **Dürkopp Adler AG**, Bielefeld (DE)

(\*\*) Term: **14 Years**

(21) Appl. No.: **29/455,328**

(22) Filed: **May 20, 2013**

(30) **Foreign Application Priority Data**

Nov. 26, 2012 (WO) ..... DM/079 619

(51) **LOC (10) Cl.** ..... **15-06**

(52) **U.S. Cl.**  
USPC ..... **D15/69**

(58) **Field of Classification Search**  
USPC ..... D15/66-78; 112/217.1-217.4,  
112/255-261, 475.01  
See application file for complete search history.

(56) **References Cited**

**U.S. PATENT DOCUMENTS**

D217,511 S \* 5/1970 Zanuso ..... D15/68  
D249,268 S \* 9/1978 Current ..... D15/69

D276,614 S \* 12/1984 La Police et al. .... D15/69  
D298,330 S \* 11/1988 Kato et al. .... D15/69  
D418,524 S \* 1/2000 Kato et al. .... D15/69  
D523,031 S \* 6/2006 Muto ..... D15/69  
D693,378 S \* 11/2013 Yamamoto et al. .... D15/69

\* cited by examiner

*Primary Examiner* — Stella Reid

*Assistant Examiner* — Khawaja Anwar

(74) *Attorney, Agent, or Firm* — McGlew and Tuttle, P.C.

(57) **CLAIM**

The ornamental design for a sewing machine, as shown and described.

**DESCRIPTION**

FIG. 1 is a front view of a sewing machine, showing our new design;

FIG. 2 is a rear view thereof wherein the broken lines are included to show unclaimed environment only and form no part of the claimed design;

FIG. 3 is a top view thereof;

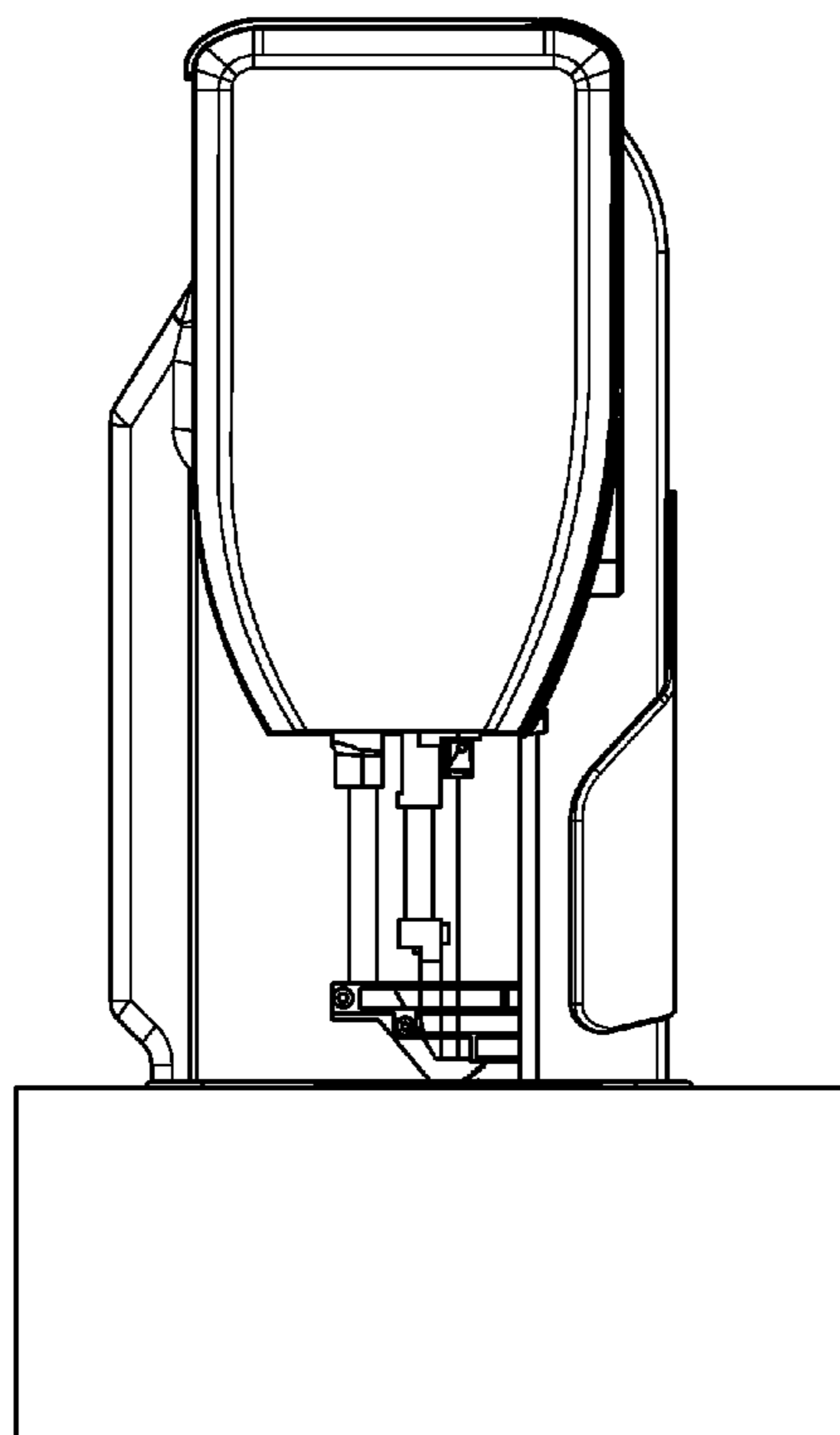
FIG. 4 is a bottom view thereof;

FIG. 5 is a lateral view (right side) thereof;

FIG. 6 is a lateral view (left side) thereof; and,

FIG. 7 is a perspective view thereof wherein the portions of the article shown broken away with solid, curvy, cut-off lines in FIGS. 3 through 7 indicate that any portion of the article beyond what is shown forms no part of the claimed design.

**1 Claim, 7 Drawing Sheets**



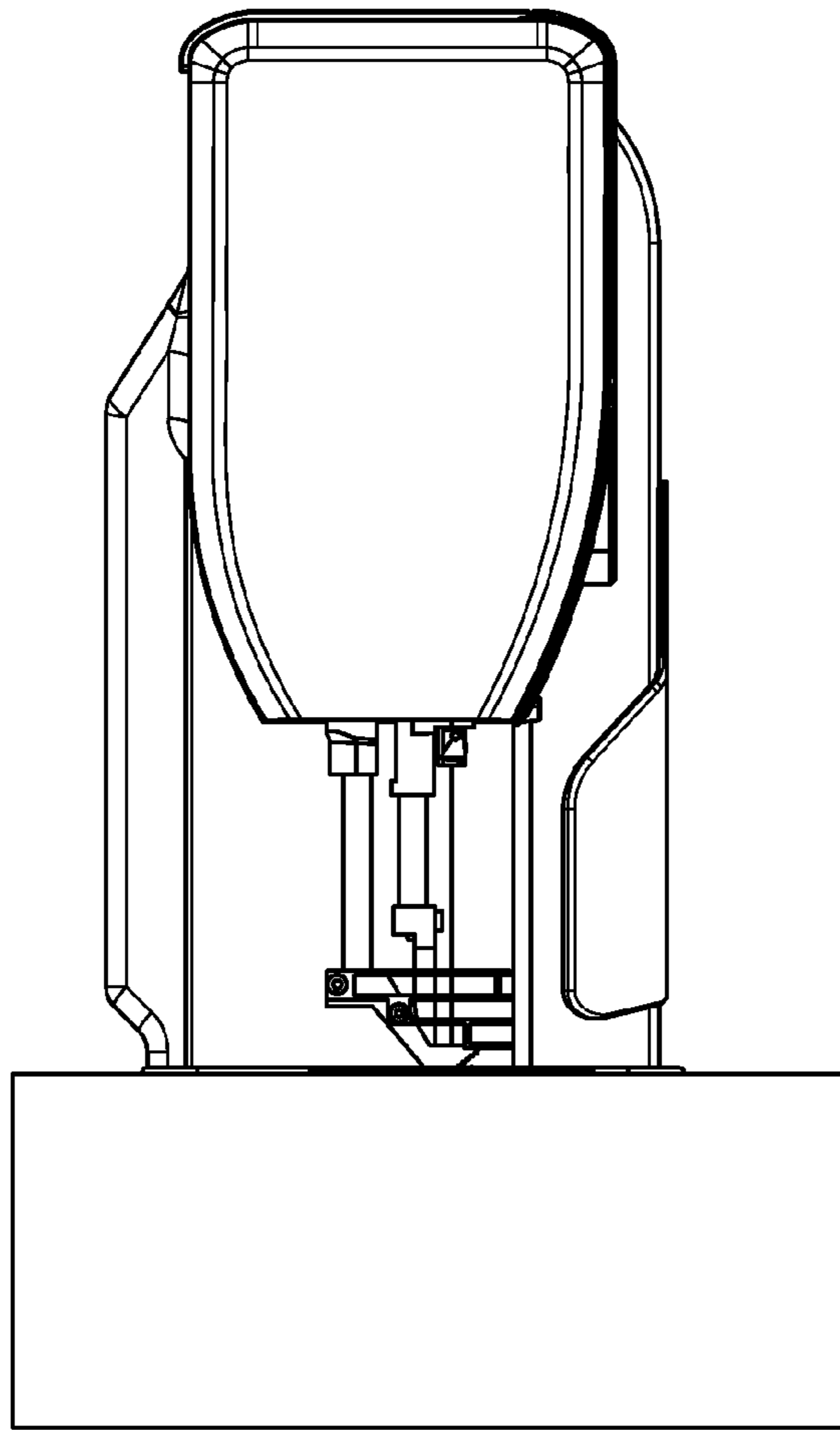


FIG. 1

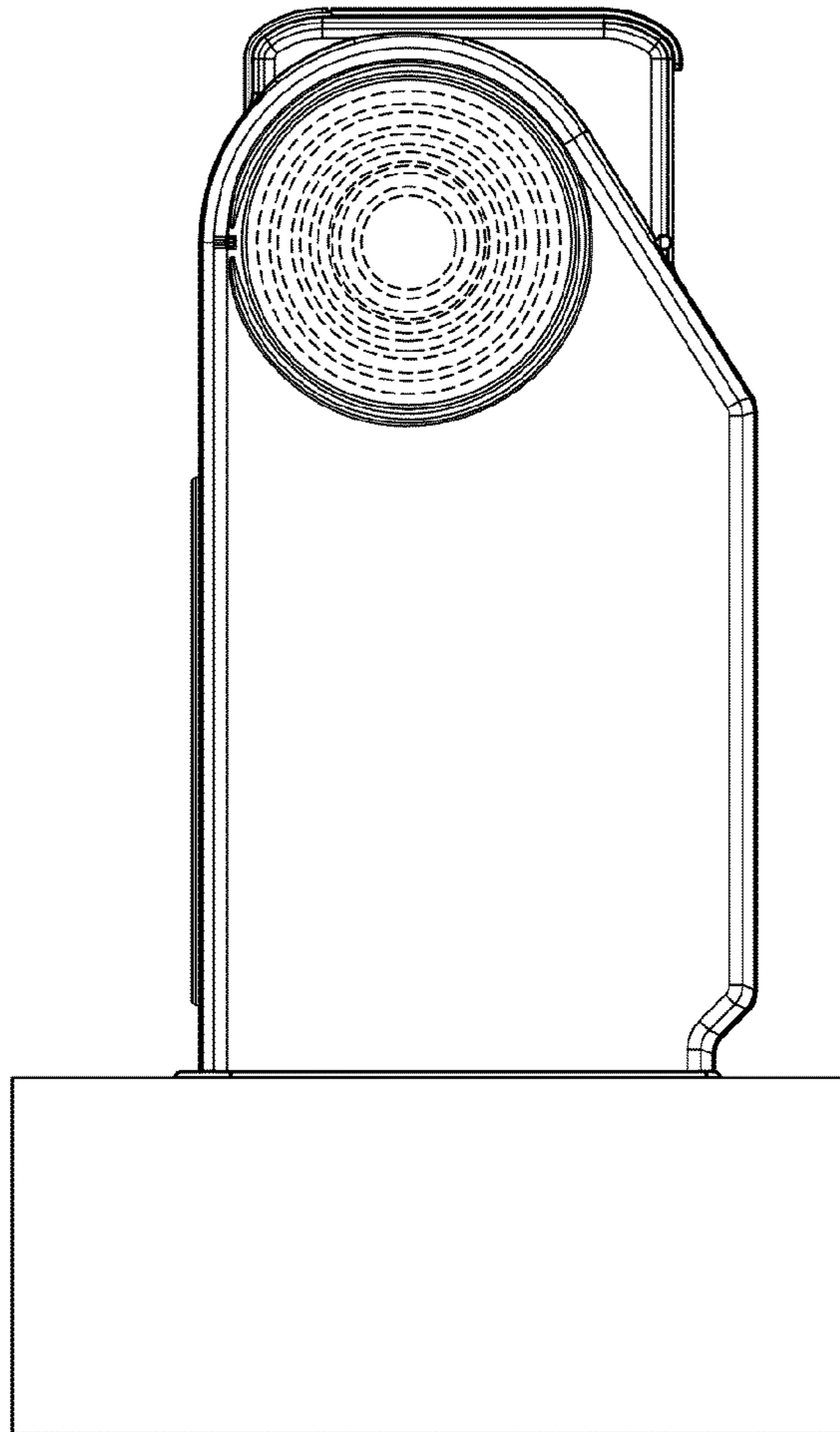


FIG. 2

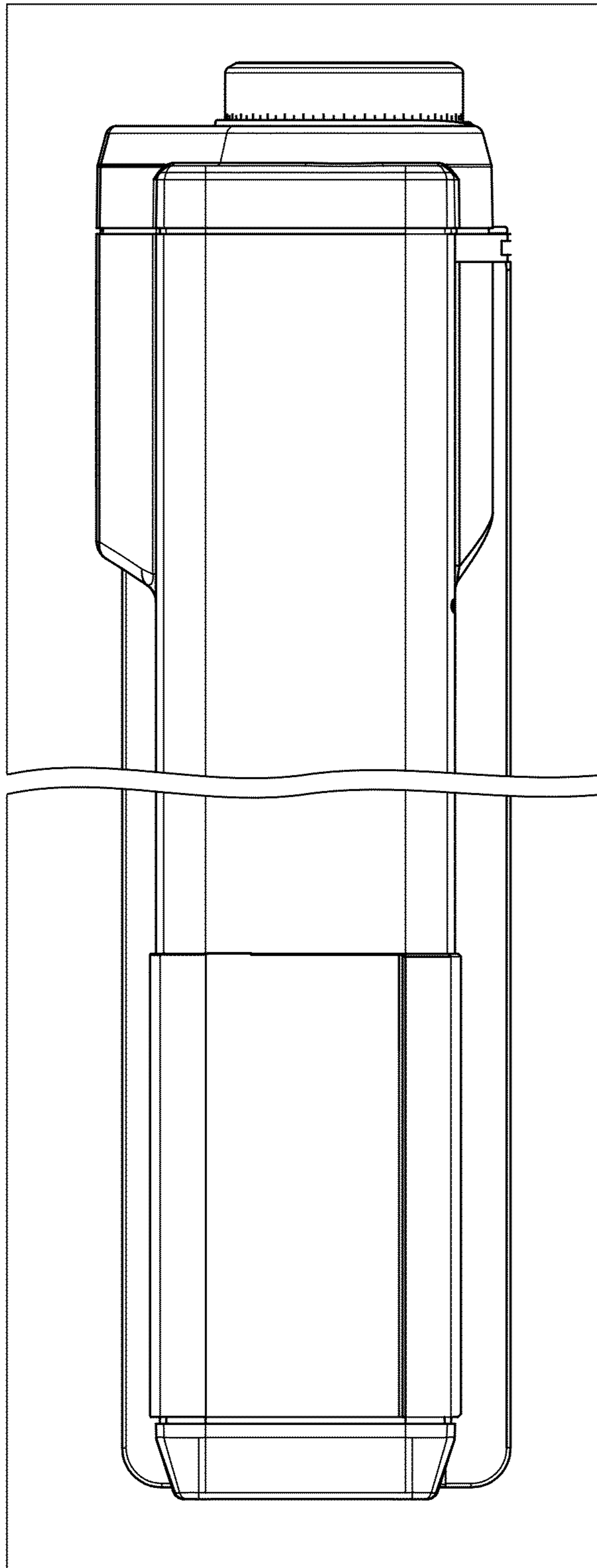


FIG. 3

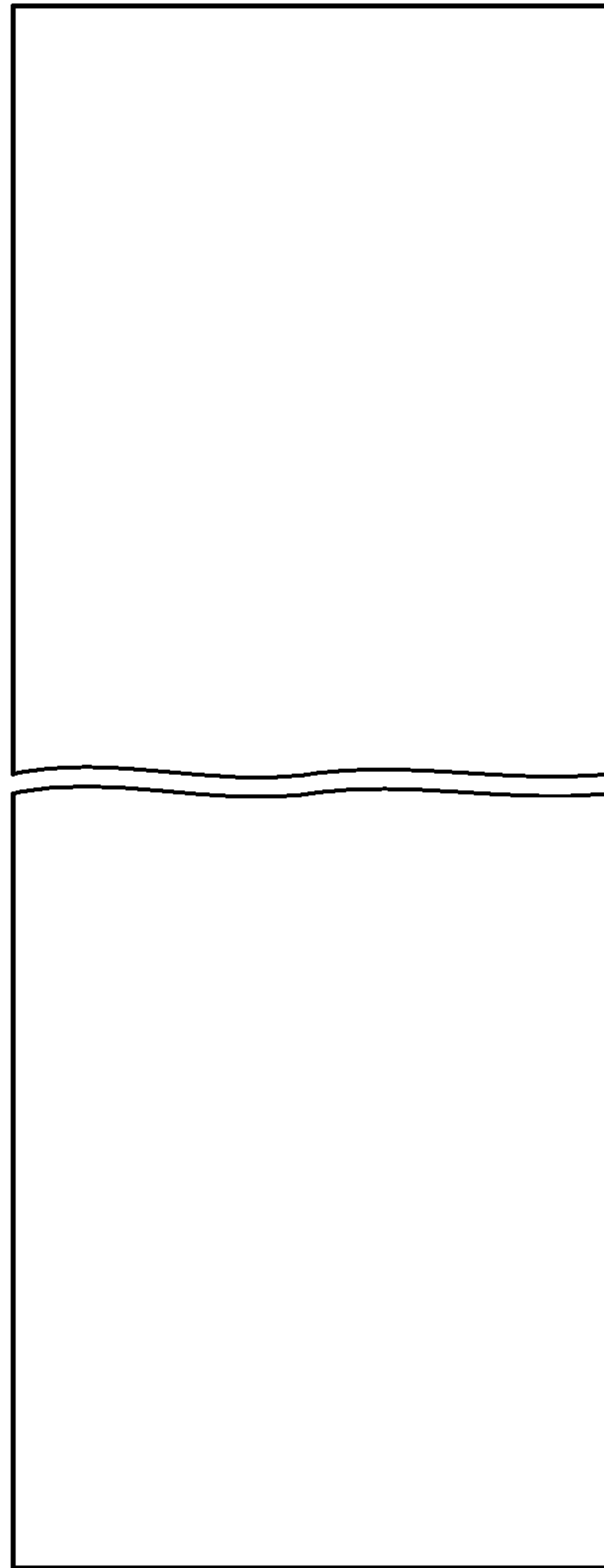


FIG. 4

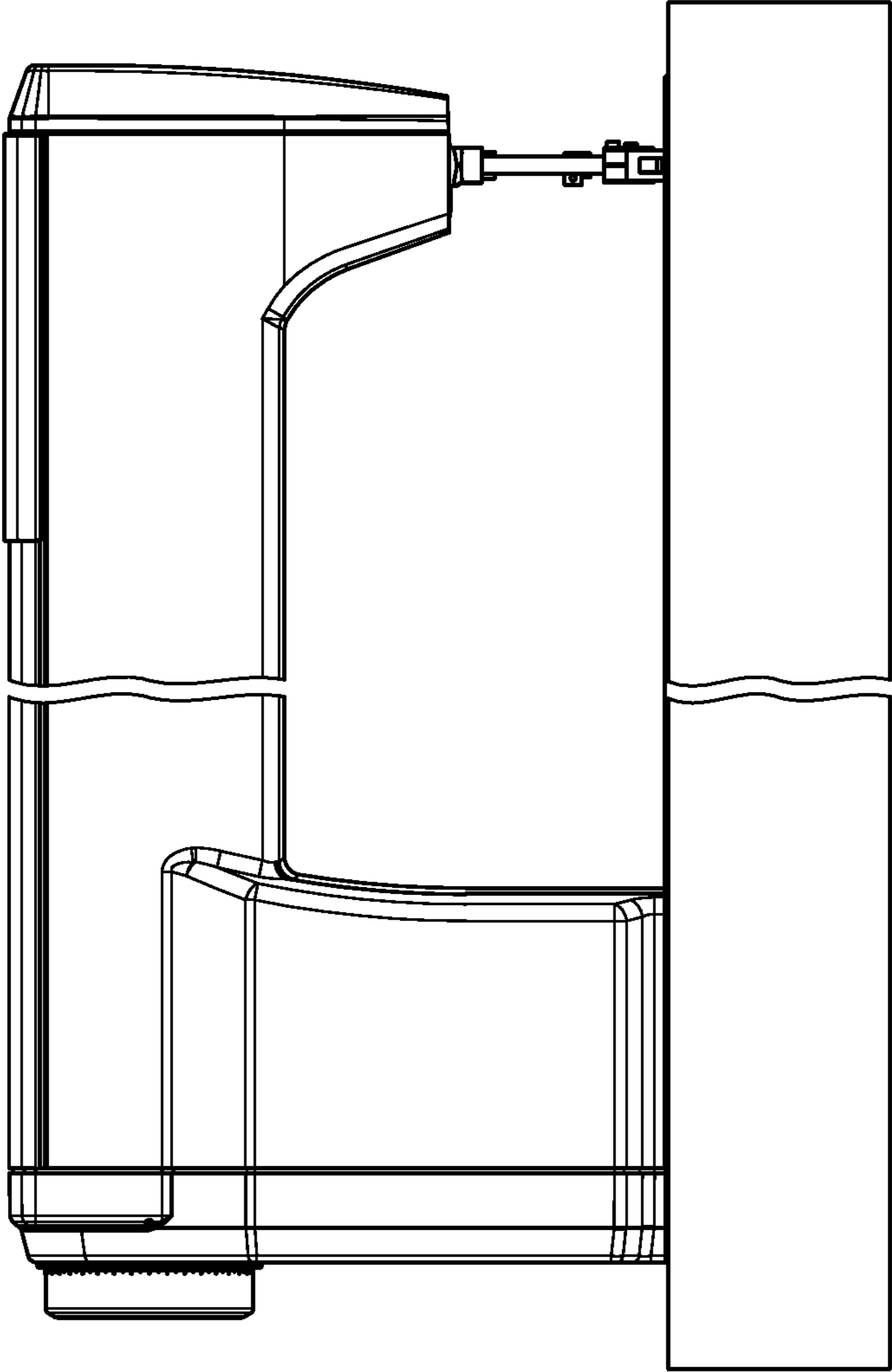


FIG. 5

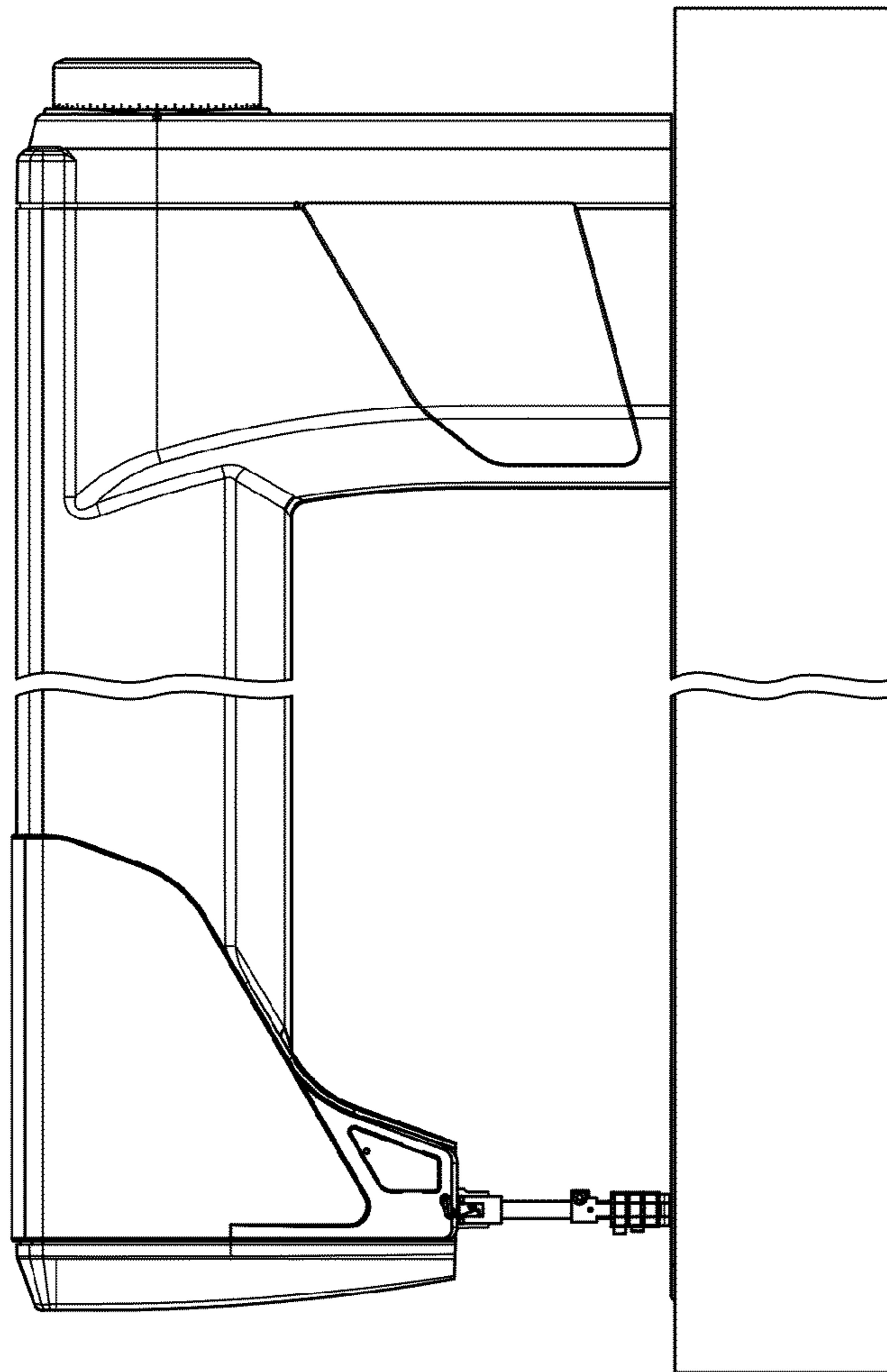


FIG. 6



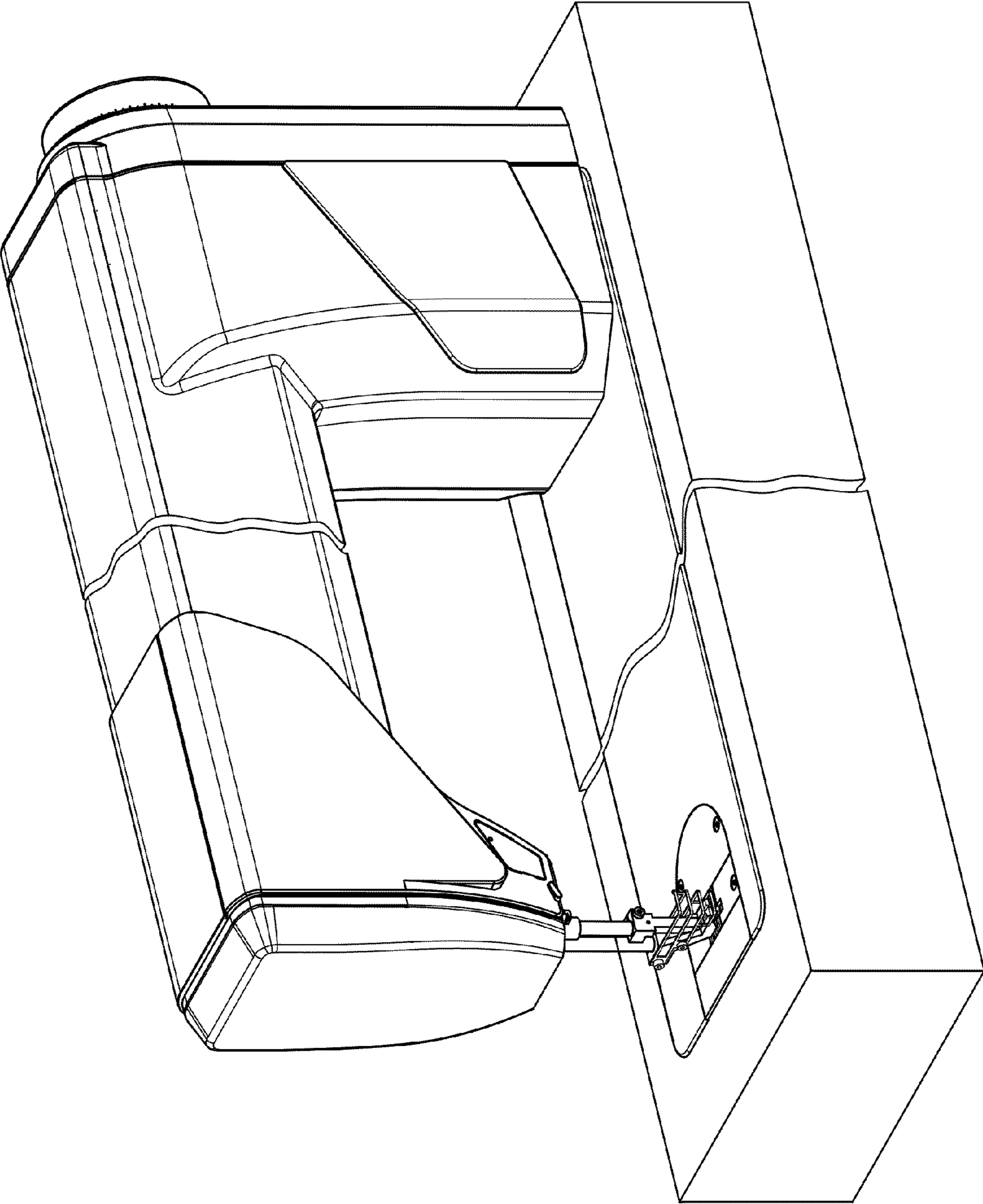


FIG. 7