



US00D727371S

(12) **United States Design Patent**
Rhayakar et al.

(10) **Patent No.:** **US D727,371 S**

(45) **Date of Patent:** **** Apr. 21, 2015**

(54) **HOOD FOR A VEHICLE**

(71) Applicant: **Deere & Company**, Moline, IL (US)

(72) Inventors: **Vikram Rhayakar**, Pune (IN);
Pandharinath N. Khatmode, Pune (IN)

(73) Assignee: **Deere & Company**, Moline, IL (US)

(**) Term: **14 Years**

(21) Appl. No.: **29/493,081**

(22) Filed: **Jun. 5, 2014**

(30) **Foreign Application Priority Data**

Dec. 6, 2013 (IN) 258586

(51) **LOC (10) Cl.** **15-03**

(52) **U.S. Cl.**
USPC **D15/31**

(58) **Field of Classification Search**
USPC D15/10, 11, 13-17, 22-26, 28, 31;
D12/173; 56/13.3, 13.4, 15.8, 15.9,
56/320.1; 180/89.1, 89.12, 900, 69.2,
180/68.1, 69.1
See application file for complete search history.

(56) **References Cited**

U.S. PATENT DOCUMENTS

D483,383 S *	12/2003	Crookes et al.	D15/31
D488,489 S *	4/2004	Montgomery et al.	D15/31
D495,344 S *	8/2004	Farlow et al.	D15/31
D495,345 S *	8/2004	Farlow et al.	D15/31
D527,742 S *	9/2006	Kuwae	D15/31

D527,743 S *	9/2006	Asada et al.	D15/31
D533,882 S *	12/2006	Higashikawa	D15/31
D537,090 S *	2/2007	Kuwae	D15/31
D537,455 S *	2/2007	Kuwae et al.	D15/31
D546,351 S *	7/2007	Arthur et al.	D15/31
D586,828 S *	2/2009	Staines et al.	D15/31
D591,777 S *	5/2009	Kokitkar et al.	D15/31
D596,205 S *	7/2009	Kawashiri et al.	D15/31
D602,507 S *	10/2009	Kushita	D15/31
D605,669 S *	12/2009	Matsumoto et al.	D15/31
D620,955 S *	8/2010	Krogh et al.	D15/31
D624,944 S *	10/2010	Major	D15/31
D631,489 S *	1/2011	Booth et al.	D15/31
D632,312 S *	2/2011	Booth et al.	D15/31
D642,598 S *	8/2011	Wikner et al.	D15/31
D655,318 S *	3/2012	Hagele et al.	D15/31
D668,695 S *	10/2012	Ringer	D15/31
D675,233 S *	1/2013	Kushita et al.	D15/31
D676,466 S *	2/2013	Ewringmann et al.	D15/31
D680,562 S *	4/2013	Park	D15/31

* cited by examiner

Primary Examiner — Mark Goodwin

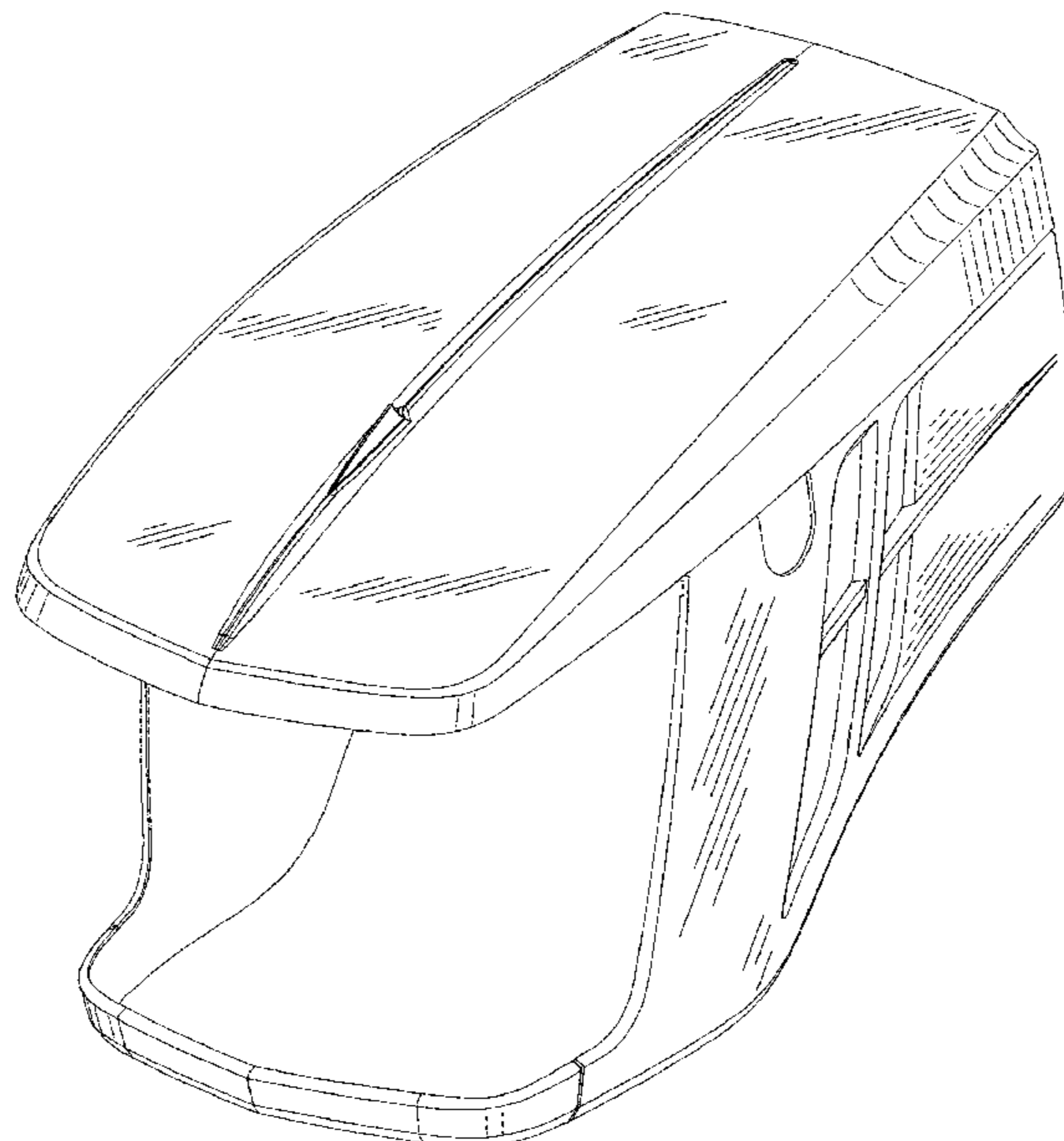
(57) **CLAIM**

The ornamental design for a hood for a vehicle, design as shown and described.

DESCRIPTION

FIG. 1 is the perspective view of the hood for a vehicle.
FIG. 2 is the right side view of the hood for a vehicle.
FIG. 3 is the left side view of the hood for a vehicle.
FIG. 4 is the front view of the hood for a vehicle.
FIG. 5 is the rear view of the hood for a vehicle.
FIG. 6 is the top view of the hood for a vehicle; and,
FIG. 7 is the bottom view of the hood for a vehicle.

1 Claim, 6 Drawing Sheets



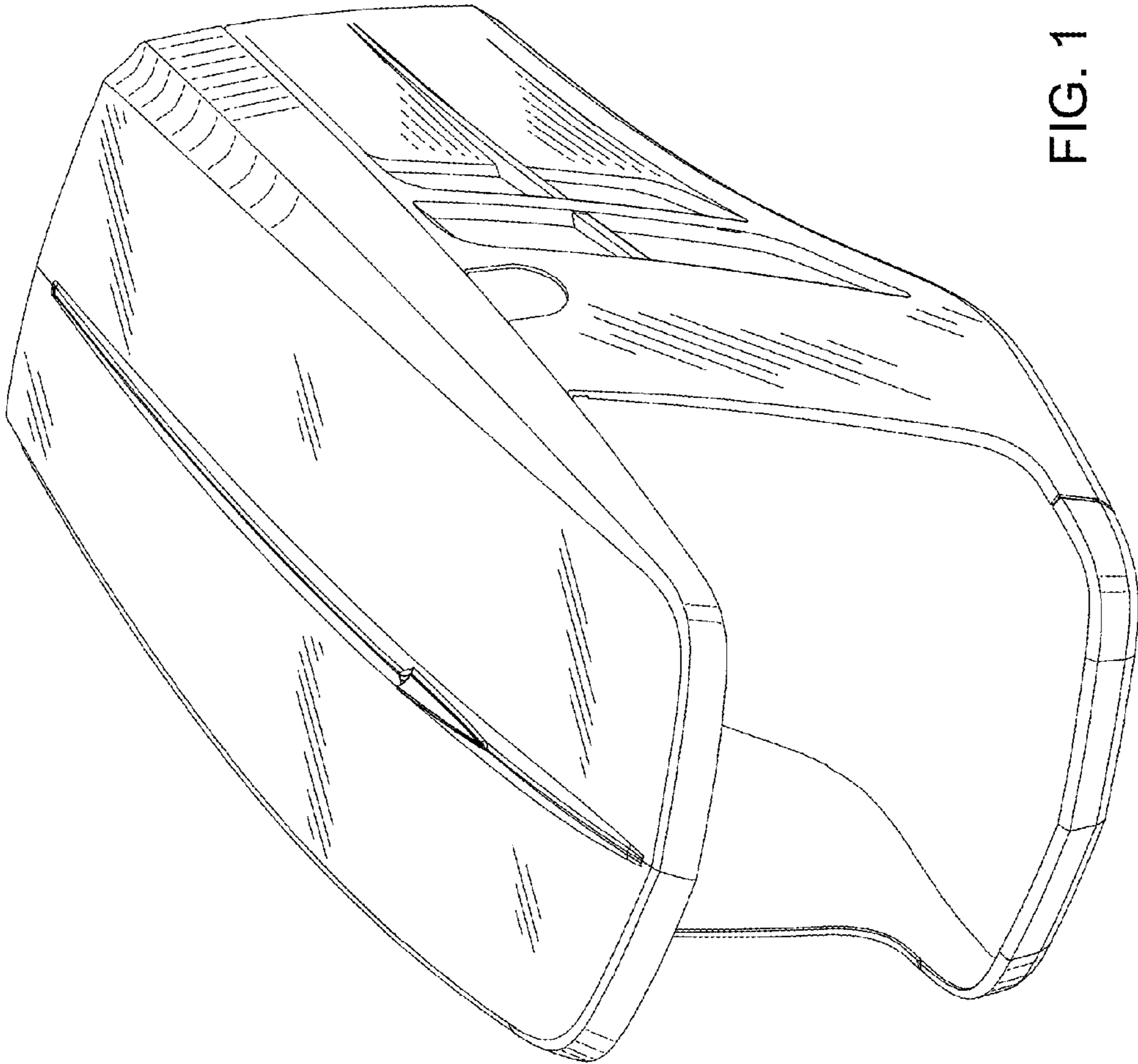


FIG. 1

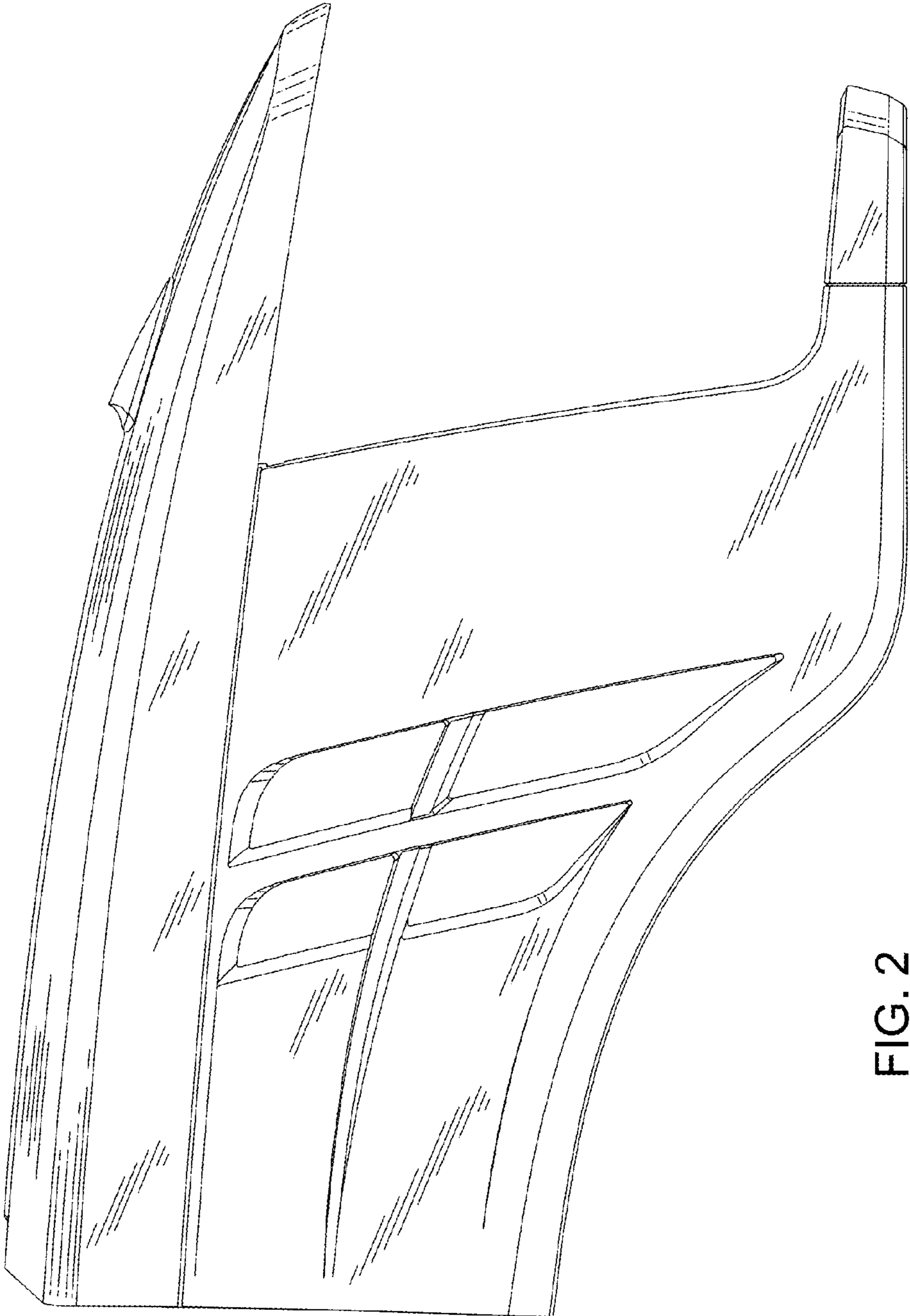


FIG. 2

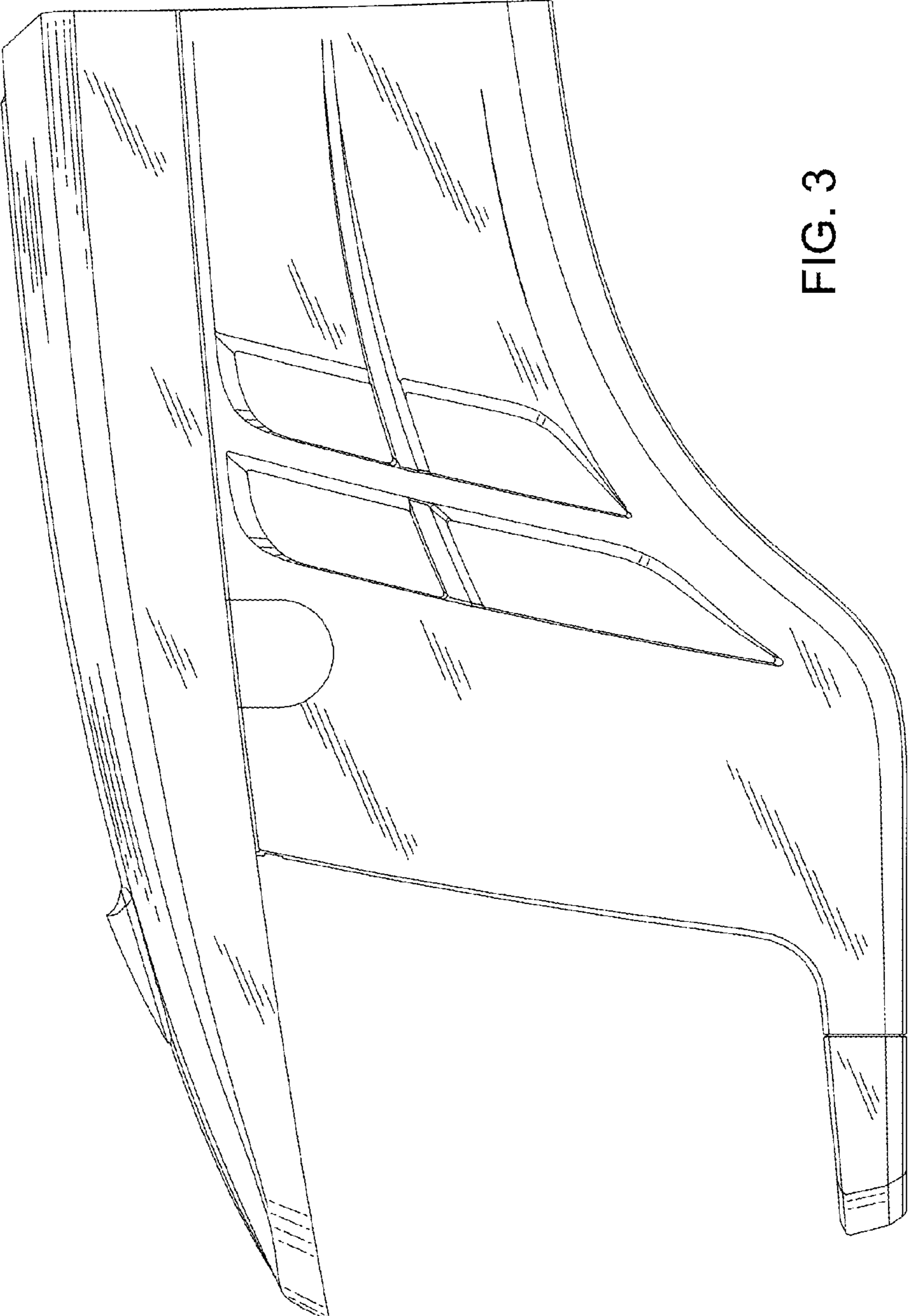


FIG. 3

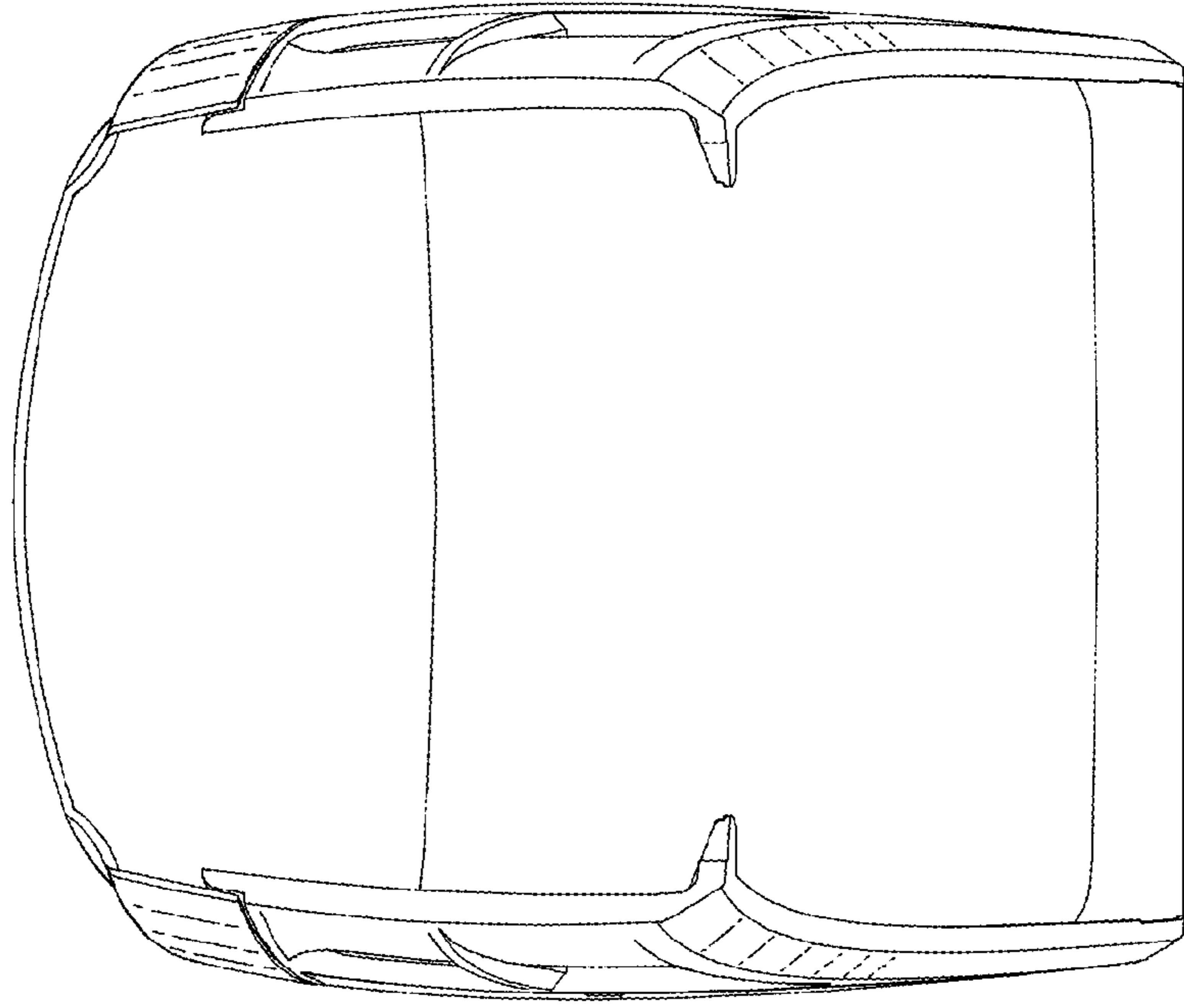


FIG. 5

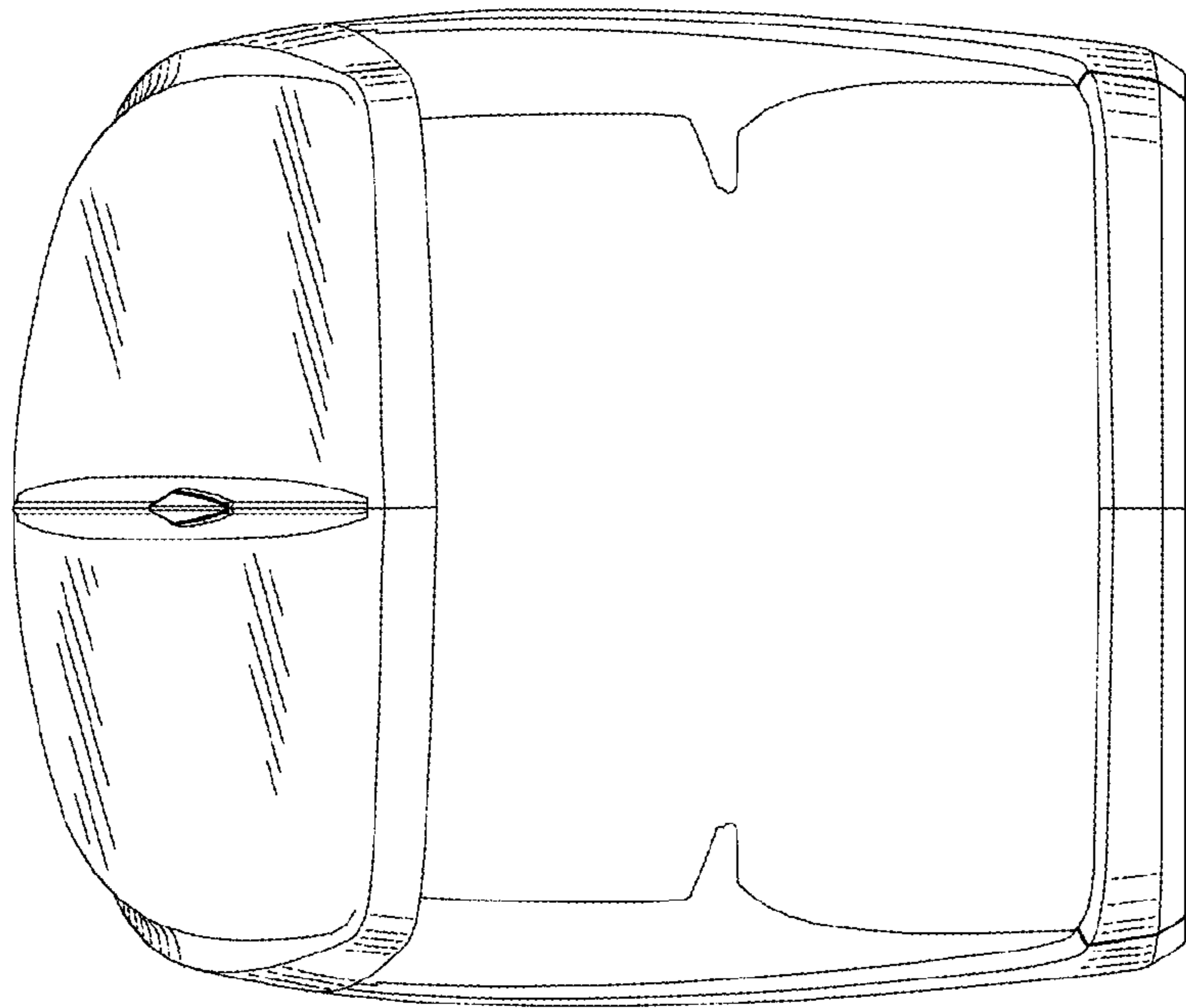


FIG. 4

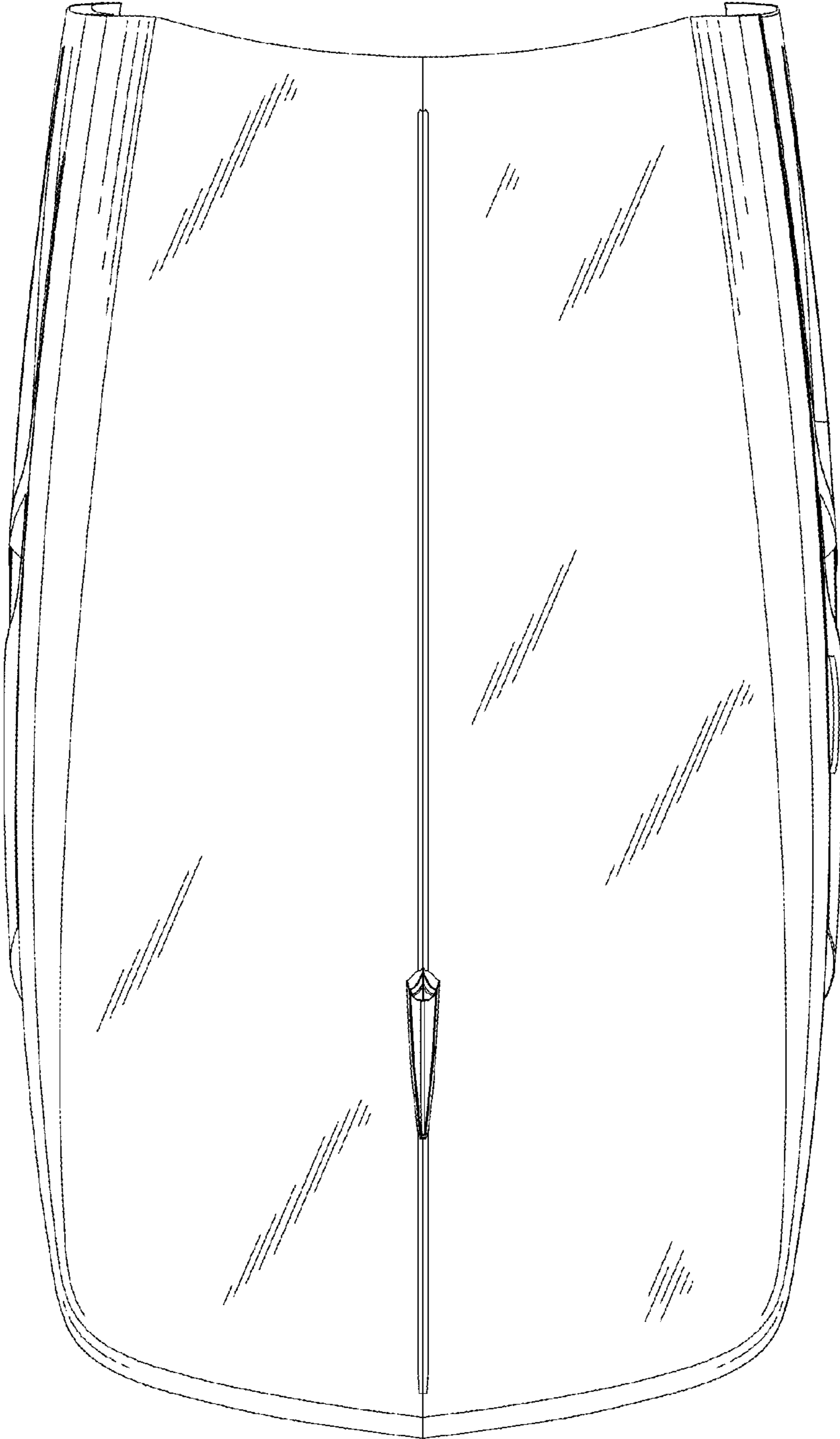


FIG. 6

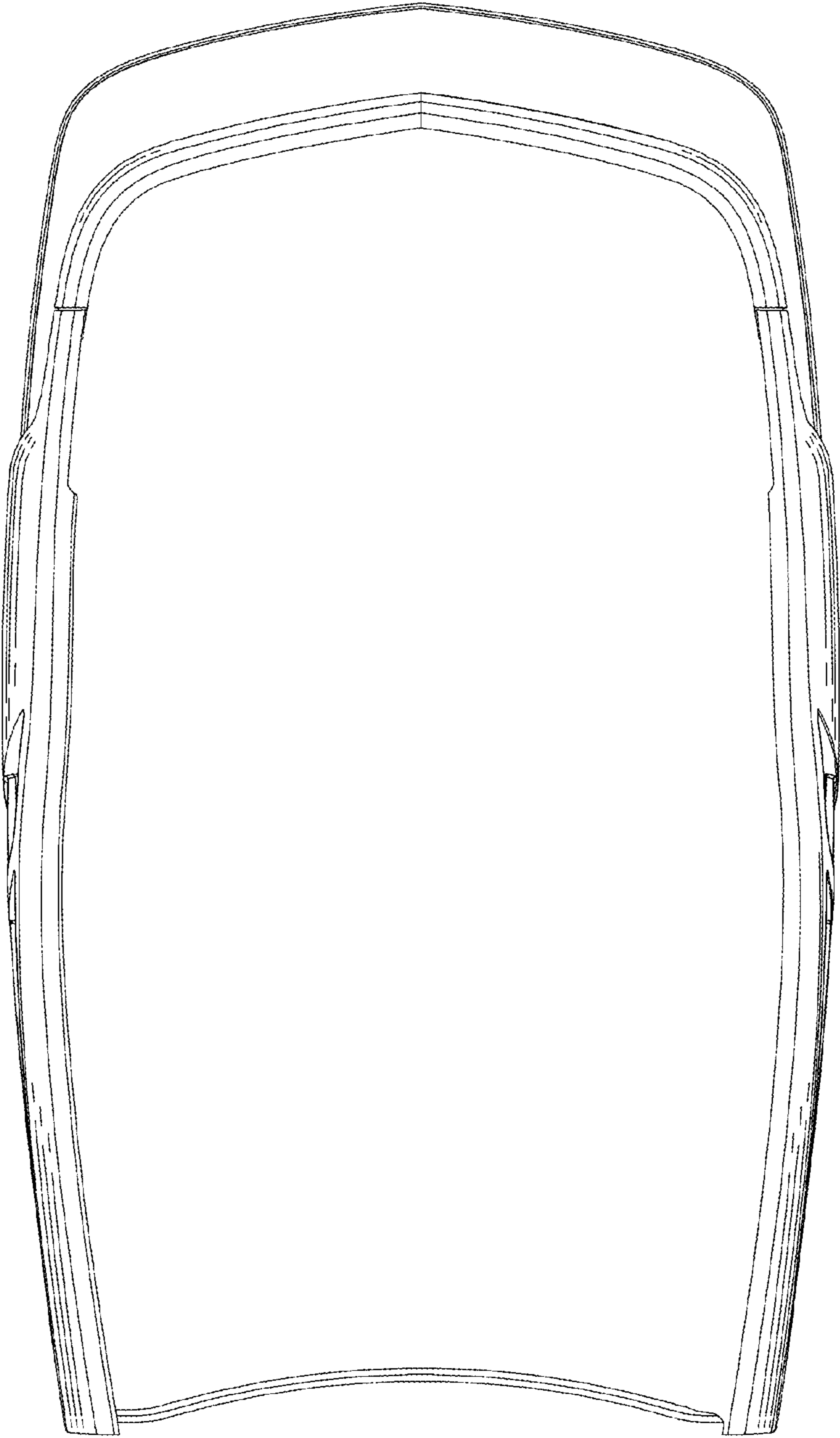


FIG. 7