



US00D727370S

(12) **United States Design Patent**
Payne et al.

(10) **Patent No.:** **US D727,370 S**
(45) **Date of Patent:** **** Apr. 21, 2015**

- (54) **EXCAVATOR COWLING**
- (71) Applicant: **J.C. Bamford Excavators Limited**,
Uttoxeter (GB)
- (72) Inventors: **Samuel Payne**, Uttoxeter (GB); **Michael Turner**, Uttoxeter (GB); **Paul Colclough**, Uttoxeter (GB); **David Morris**, Uttoxeter (GB)
- (73) Assignee: **J.C. Bamford Excavators Limited**,
Uttoxeter (GB)
- (**) Term: **14 Years**
- (21) Appl. No.: **29/488,892**
- (22) Filed: **Apr. 24, 2014**

D462,973 S *	9/2002	Tamaru et al.	D15/25
D487,100 S *	2/2004	Tokach et al.	D15/30
D487,575 S *	3/2004	Wetzel et al.	D15/33
D506,211 S *	6/2005	Kuwae et al.	D15/33
D509,514 S *	9/2005	Shimokakiuchi et al.	D15/24
D510,366 S *	10/2005	Kuwae et al.	D15/28
D528,568 S *	9/2006	Kuwae et al.	D15/28
D534,552 S *	1/2007	Yanagida	D15/25
D576,182 S *	9/2008	Murakami et al.	D15/28
D579,465 S *	10/2008	Ochi et al.	D15/28
D582,947 S *	12/2008	Ueta et al.	D15/28
D587,285 S *	2/2009	Murakami et al.	D15/28
D633,926 S *	3/2011	Shimada et al.	D15/25
D678,358 S *	3/2013	Hiraoka et al.	D15/28
D678,359 S *	3/2013	Hagura et al.	D15/28
D679,734 S *	4/2013	Tsukamoto et al.	D15/28
D684,598 S *	6/2013	Hagura et al.	D15/24
D684,600 S *	6/2013	Saito et al.	D15/24
D684,605 S *	6/2013	Hagura et al.	D15/28
D687,865 S *	8/2013	Hatanaka et al.	D15/24
D688,713 S *	8/2013	Seino et al.	D15/33

* cited by examiner

- (30) **Foreign Application Priority Data**
- Oct. 24, 2013 (EM) 001388086
- (51) **LOC (10) Cl.** **15-03**
- (52) **U.S. Cl.**
- USPC **D15/31**
- (58) **Field of Classification Search**
- USPC D15/10, 22-26, 28, 30, 31, 33;
180/89.1, 89.12, 89.13, 900, 9.1, 9.2,
180/9.62; 37/379; 414/694, 699, 722-724,
414/660, 685, 698, 719, 743
- See application file for complete search history.

Primary Examiner — Mark Goodwin
(74) *Attorney, Agent, or Firm* — Marshall, Gerstein & Borun LLP

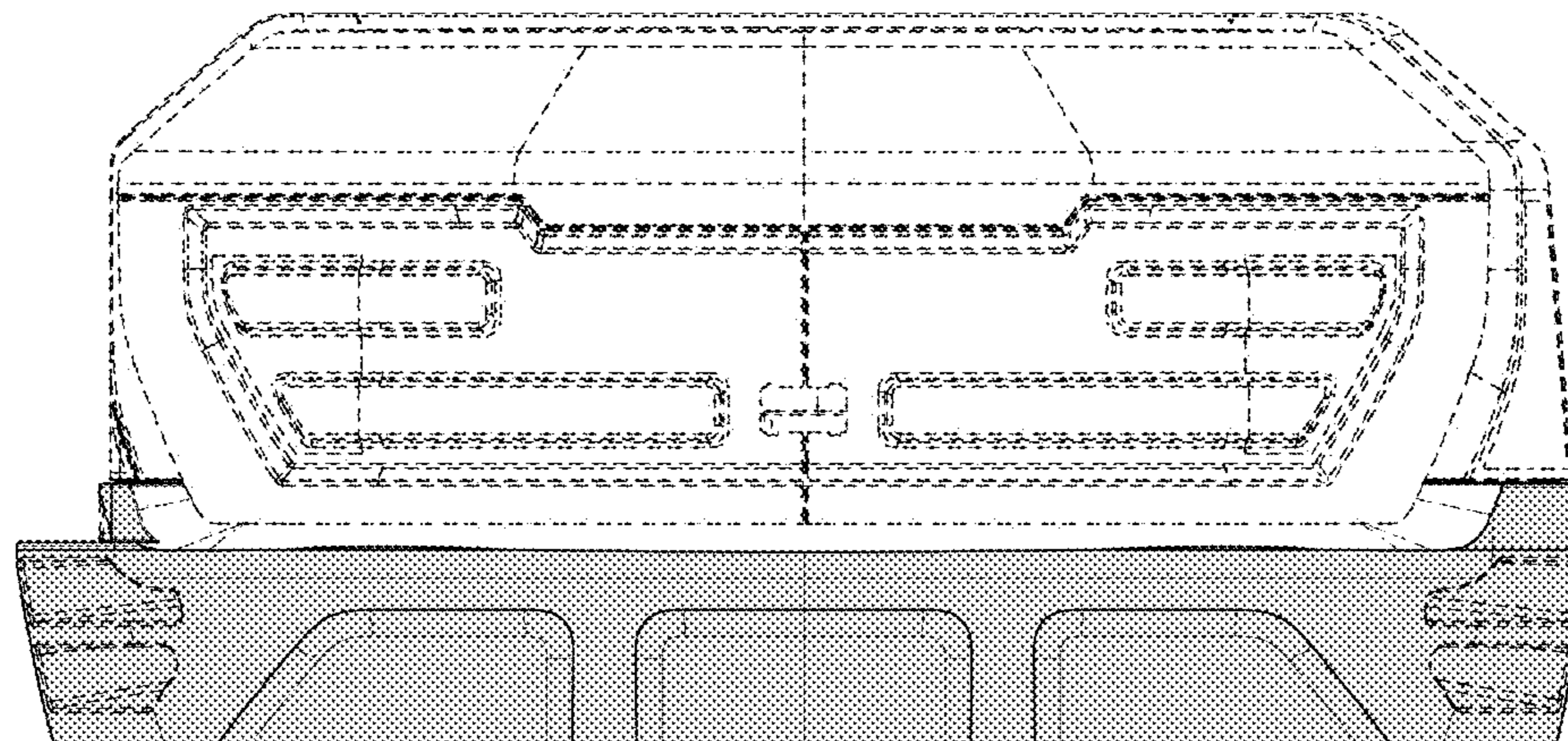
(57) **CLAIM**
The ornamental design for an excavator cowling, as shown and described.

DESCRIPTION

FIG. 1 is a back elevation view of an excavator cowling showing the new design.
FIG. 2 is a back, right-side, and top isometric view of the excavator cowling.
FIG. 3 is a back, left-side, and top isometric view.
FIG. 4 is a left-side elevation view; and,
FIG. 5 is a right-side elevation view.
The broken lines show elements of the excavator cowling that form no part of the claimed design.

1 Claim, 5 Drawing Sheets

- (56) **References Cited**
- U.S. PATENT DOCUMENTS
- D433,689 S * 11/2000 Kraft et al. D15/30
- D440,235 S * 4/2001 Kuwae et al. D15/25
- D440,236 S * 4/2001 Kraft et al. D15/28
- D450,717 S * 11/2001 Muraro D15/25
- D460,462 S * 7/2002 Miyanishi et al. D15/25
- D460,974 S * 7/2002 Murakami et al. D15/25



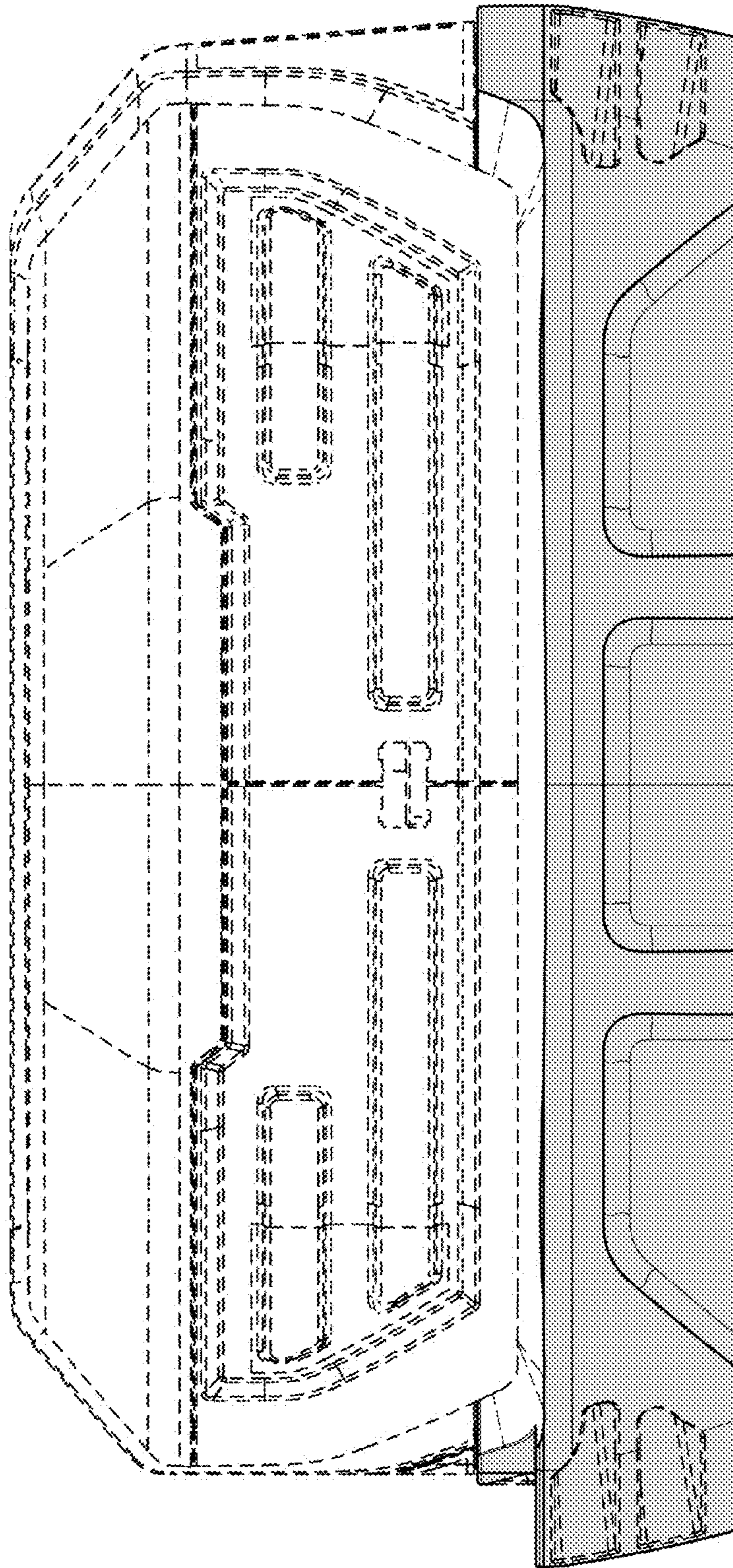


Fig. 1

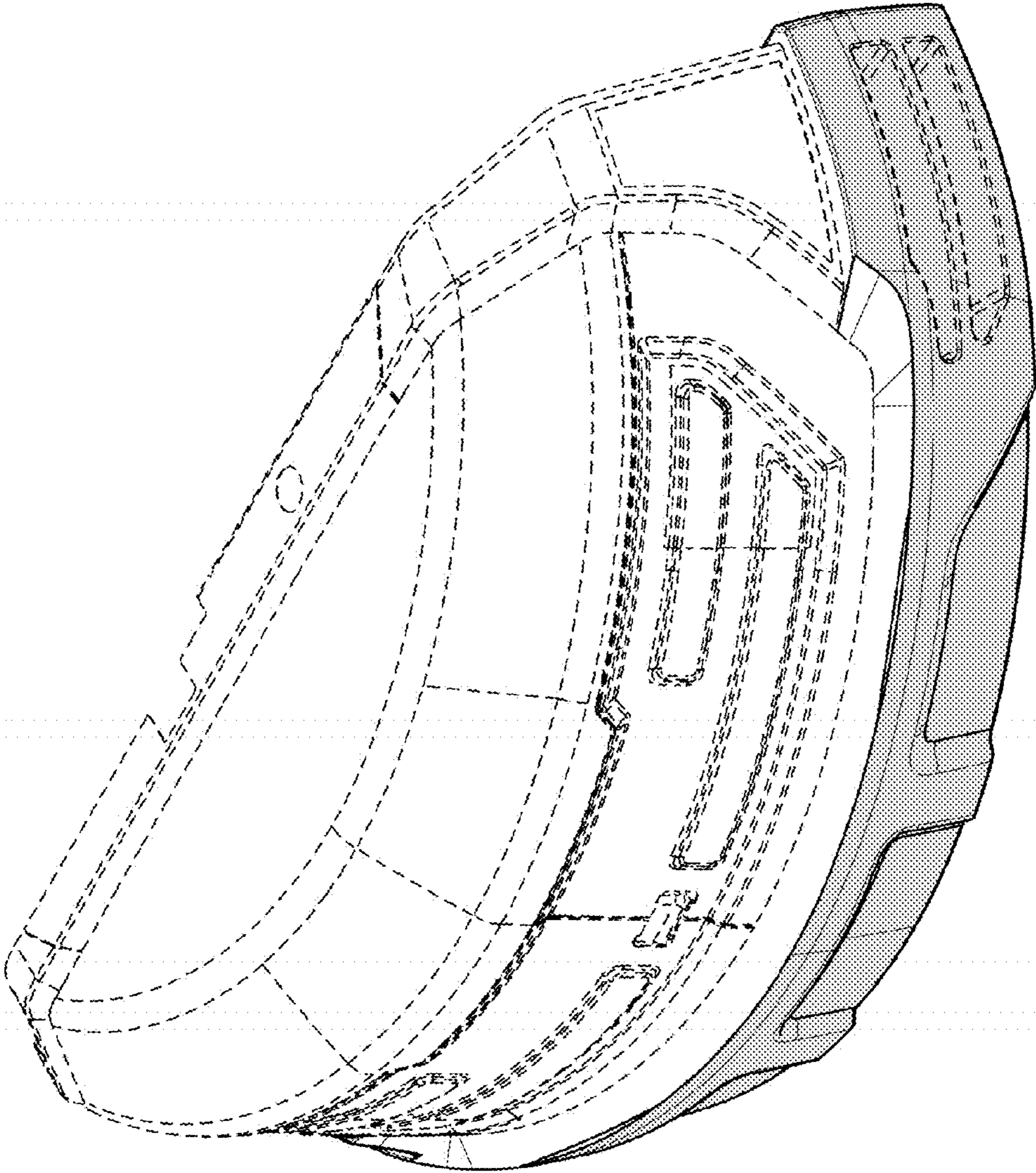


Fig. 2

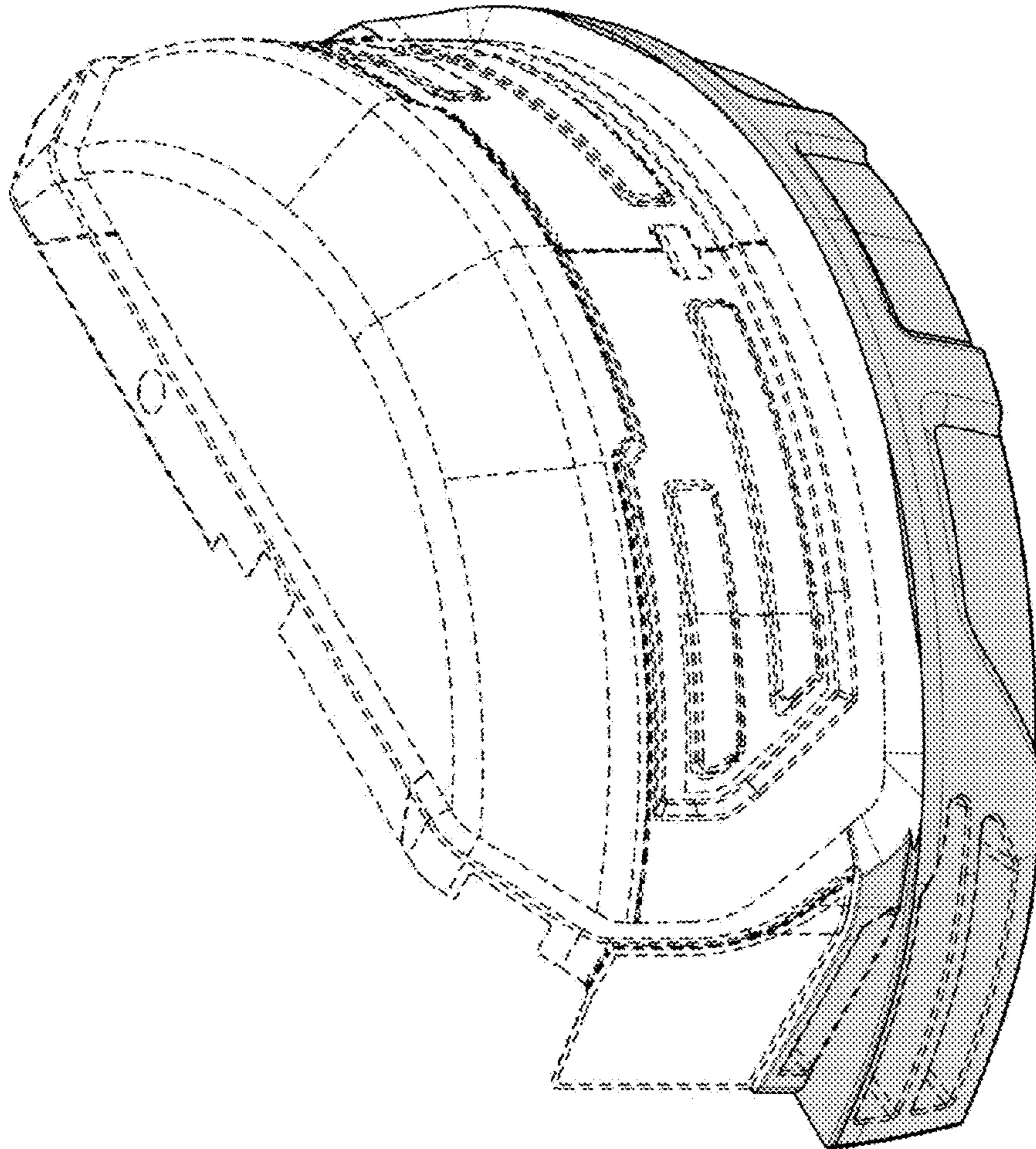


Fig. 3

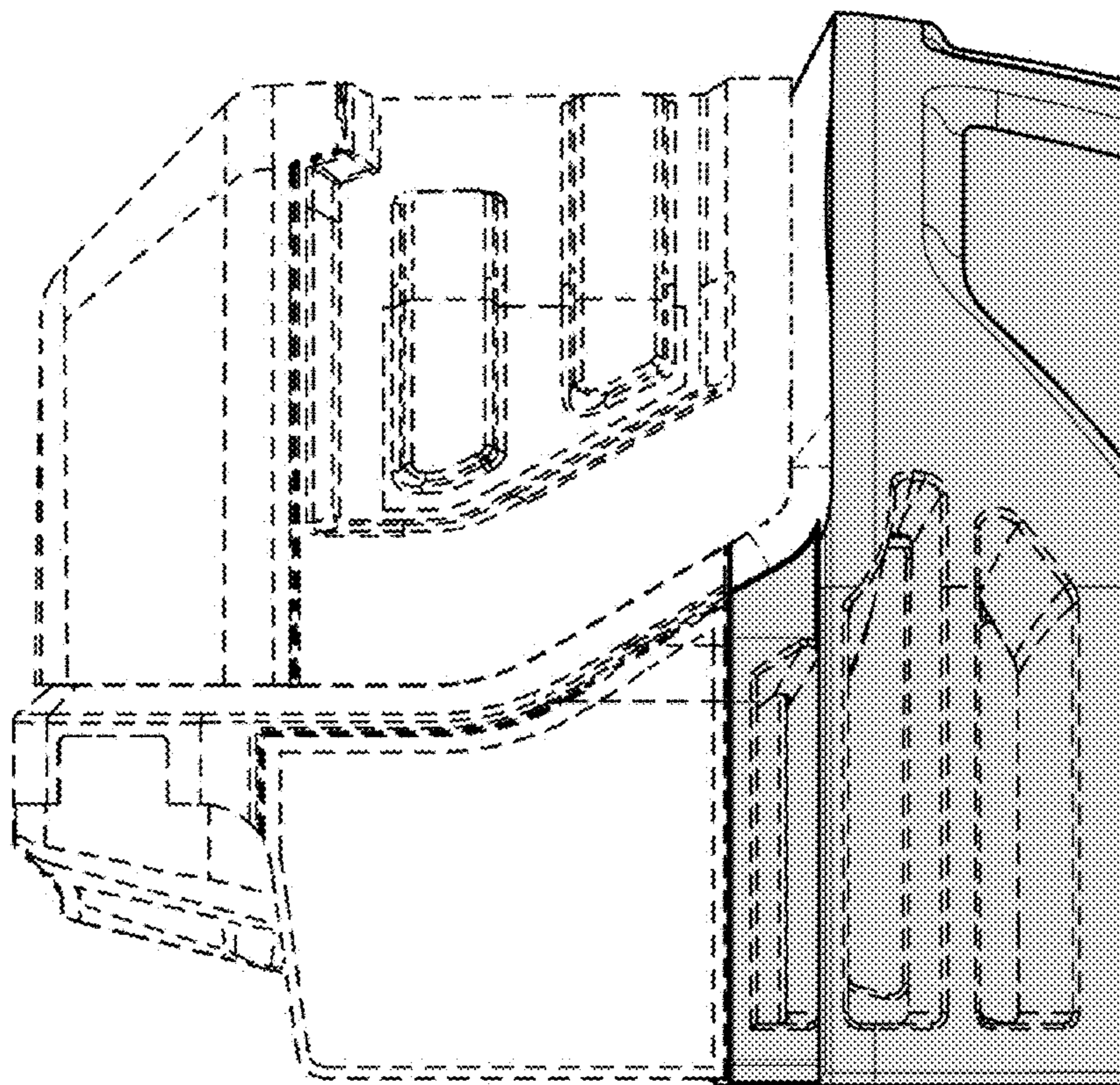


Fig. 4

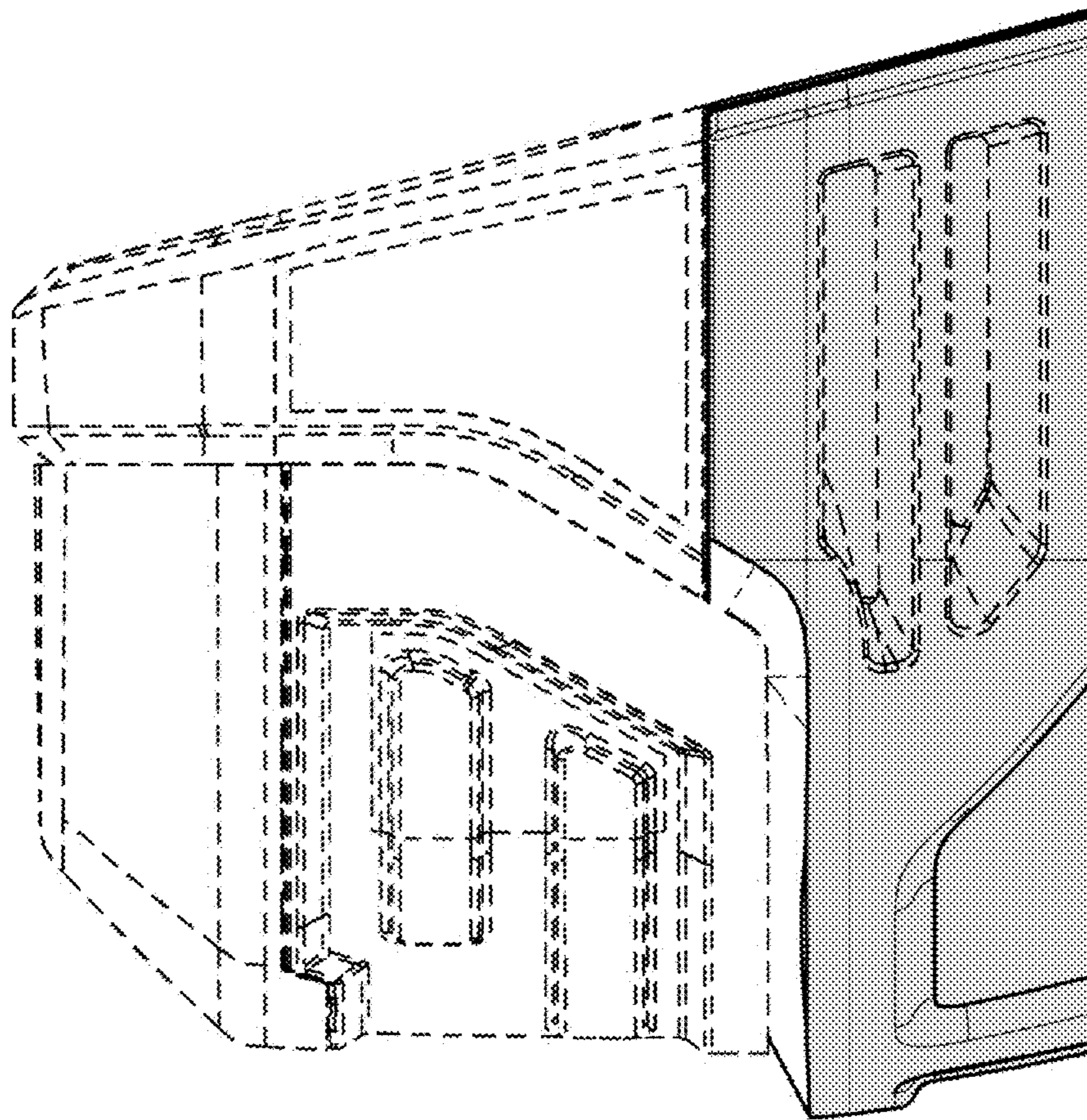


Fig. 5