



US00D727365S

(12) **United States Design Patent**  
**Helgesson et al.**

(10) **Patent No.:** **US D727,365 S**  
(45) **Date of Patent:** **\*\* Apr. 21, 2015**

(54) **FUEL DISPENSER**

(71) Applicant: **Wayne Fueling Systems Sweden AB,**  
Malmö (SE)

(72) Inventors: **Hanna Helgesson,** Dalby (SE); **Bengt I. Larsson,** Malmö (SE)

(73) Assignee: **Wayne Fueling Systems Sweden AB,**  
Malmö (SE)

(\*\*) Term: **14 Years**

(21) Appl. No.: **29/449,973**

(22) Filed: **Mar. 15, 2013**

(51) **LOC (10) Cl.** ..... **15-02**

(52) **U.S. Cl.**

USPC ..... **D15/9.2**

(58) **Field of Classification Search**

CPC ..... B67D 5/22; B67D 5/12; B67D 5/08;  
B67D 5/06; G06F 7/08; D67D 7/12; D67D  
7/04

USPC ..... D15/7-9.3; D23/231, 232, 225; 417/60,  
417/235, 265, 321, 355, 358, 363, 359,  
417/410.1, 415-416, 405, 900; 60/408,  
60/412; 184/26-37; 415/140-147;  
123/495, 509

See application file for complete search history.

(56) **References Cited**

**U.S. PATENT DOCUMENTS**

D260,994 S *	9/1981	Resh	.....	D15/9.1
D309,144 S *	7/1990	Austin et al.	.....	D15/9.2
D655,315 S *	3/2012	Helgesson et al.	.....	D15/9.1
D664,997 S *	8/2012	Helgesson et al.	.....	D15/9.1

(Continued)

**OTHER PUBLICATIONS**

Design U.S. Appl. No. D29/443,053, filed Jan. 11, 2013.

(Continued)

*Primary Examiner* — Ralf Seifert

(74) *Attorney, Agent, or Firm* — Mintz Levin Cohn Ferris  
Glovsky and Popeo, P.C.

(57) **CLAIM**

The ornamental design for a fuel dispenser, as shown and described.

**DESCRIPTION**

FIG. 1 is a perspective view from above illustrating the front and right side view of a fuel dispenser showing our new design;

FIG. 2 is a perspective view illustrating the front and left side view of the fuel dispenser of FIG. 1;

FIG. 3 is a front view of the fuel dispenser of FIG. 1;

FIG. 4 is a rear view of the fuel dispenser of FIG. 1;

FIG. 5 is a right side view of the fuel dispenser of FIG. 1;

FIG. 6 is a left side view of the fuel dispenser of FIG. 1;

FIG. 7 is a perspective view from above illustrating the front and right side view of the second embodiment of a fuel dispenser showing our new design;

FIG. 8 is a perspective view illustrating the front and left side view of the fuel dispenser of FIG. 7;

FIG. 9 is a front view of the fuel dispenser of FIG. 7;

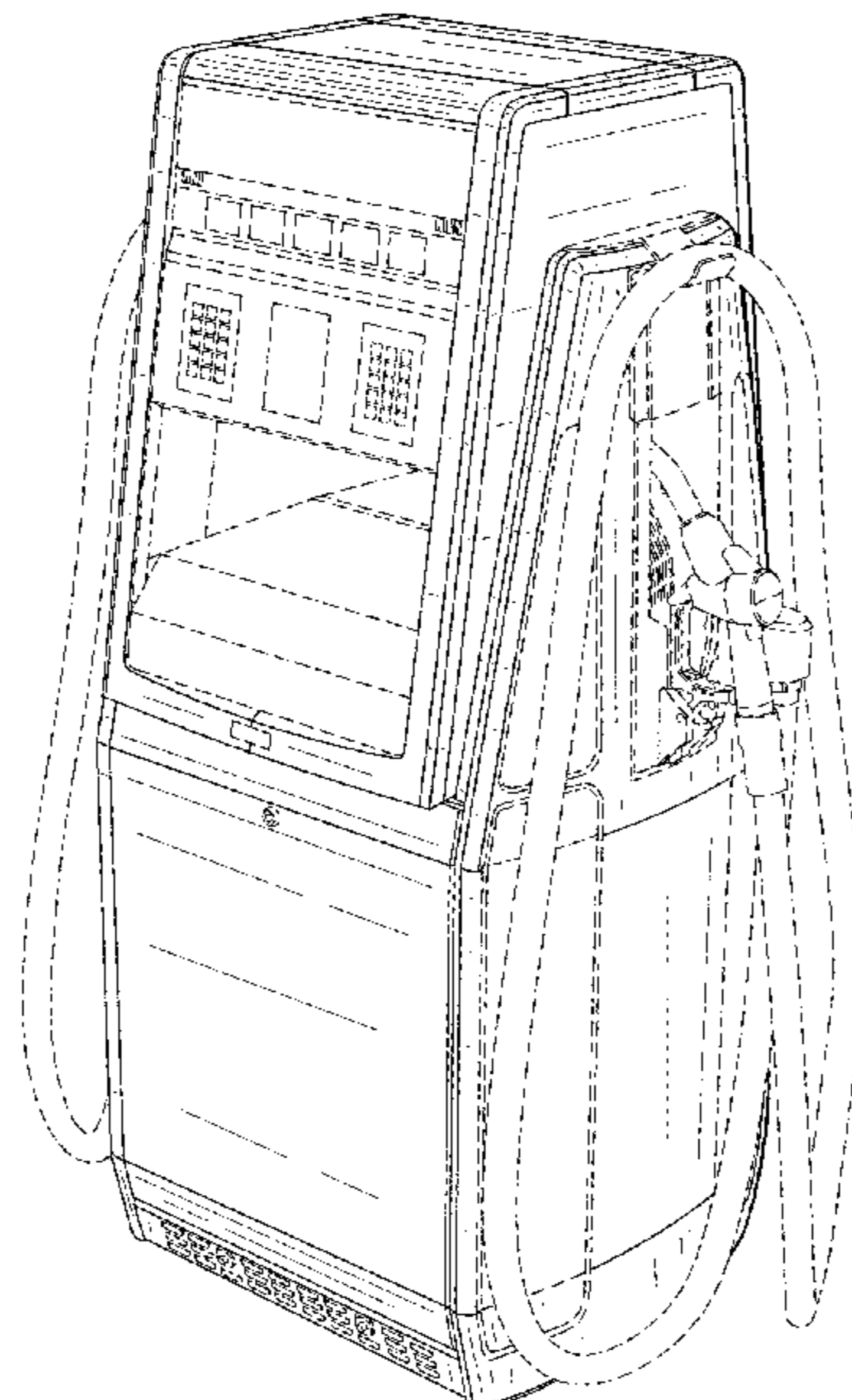
FIG. 10 is a rear view of the fuel dispenser of FIG. 7;

FIG. 11 is a right side view of the fuel dispenser of FIG. 7; and,

FIG. 12 is a left side view of the fuel dispenser of FIG. 7.

Where applicable, elements are shown in broken lines herein for illustrative purposes only, and form no part of the claimed design. Moreover, the bottom and the top of embodiments of the fuel dispenser of FIGS. 1-30 form no part of the claimed design.

**1 Claim, 12 Drawing Sheets**



(56)

**References Cited**

U.S. PATENT DOCUMENTS

D667,846 S 9/2012 Helgesson et al.  
D677,284 S 3/2013 Helgesson et al.  
D681,681 S 5/2013 Schmelzer et al.  
D681,682 S 5/2013 Schmelzer et al.  
D681,683 S 5/2013 Schmelzer et al.  
D688,274 S 8/2013 Schmelzer et al.

D688,275 S 8/2013 Schmelzer et al.  
D700,917 S \* 3/2014 Helgesson et al. .... D15/9.2

OTHER PUBLICATIONS

Design U.S. Appl. No. D29/472,417, filed Nov. 12, 2013.  
Design U.S. Appl. No. D29/498,789, filed Aug. 7, 2014.

\* cited by examiner

Fig. 1

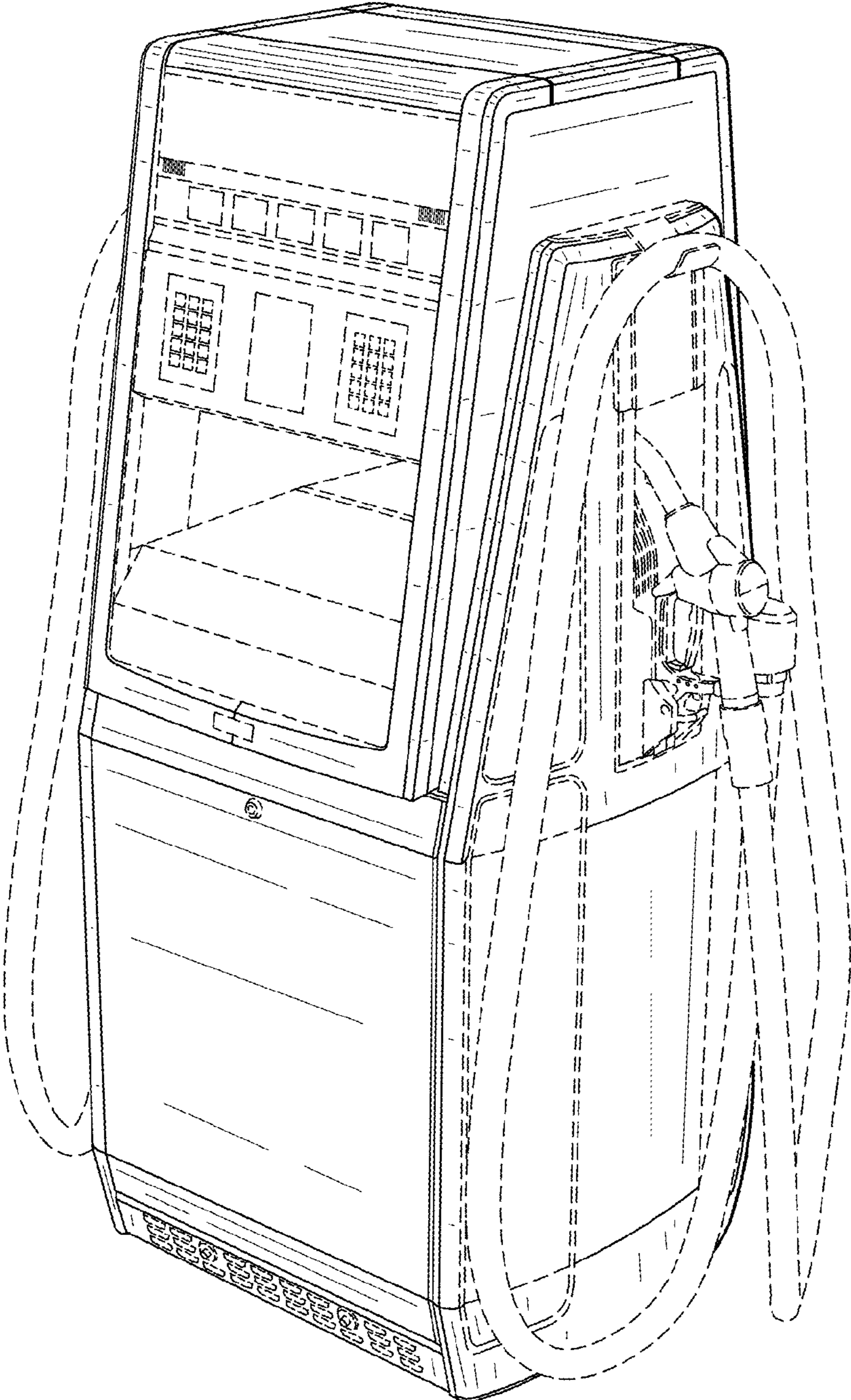


Fig. 2

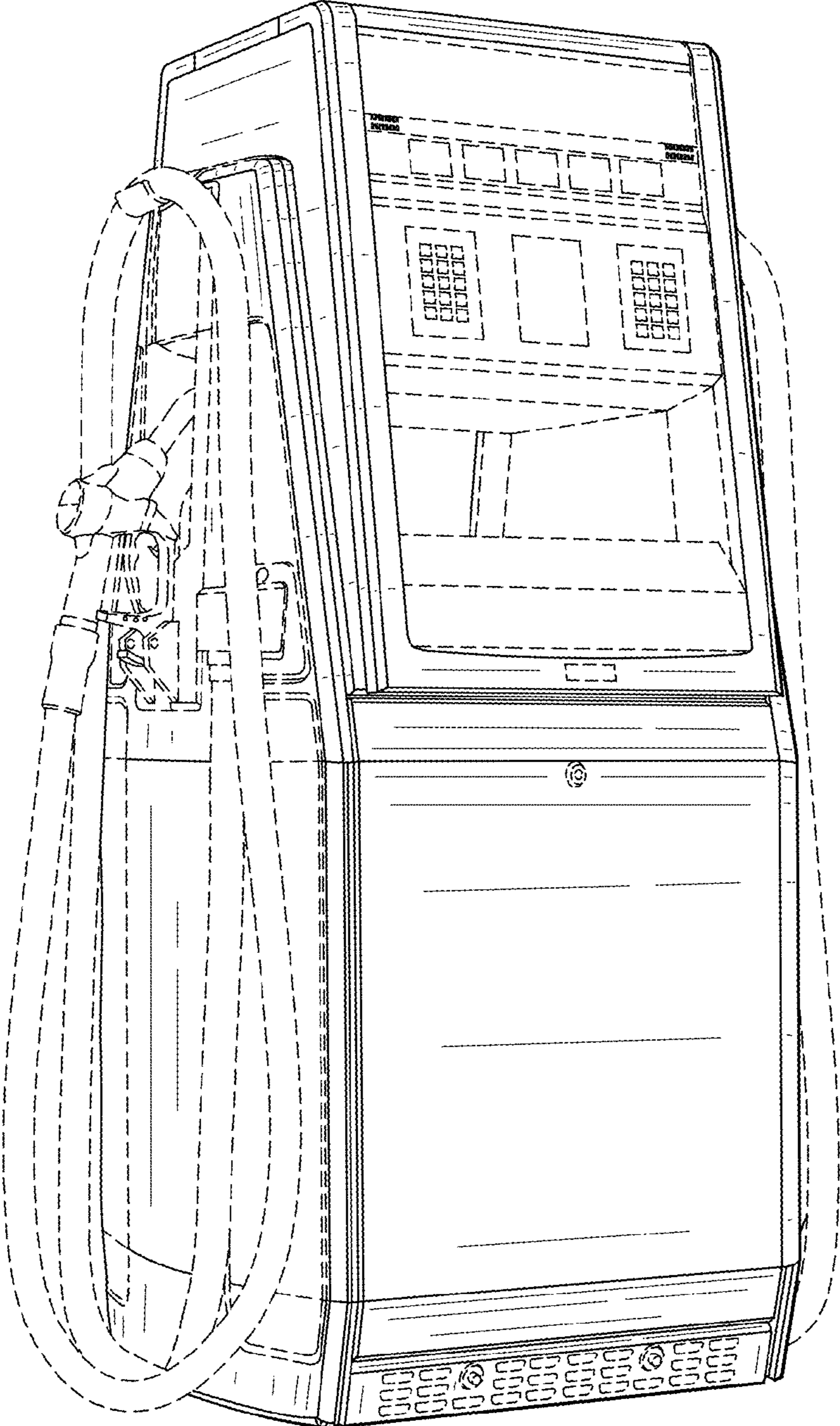


Fig. 3

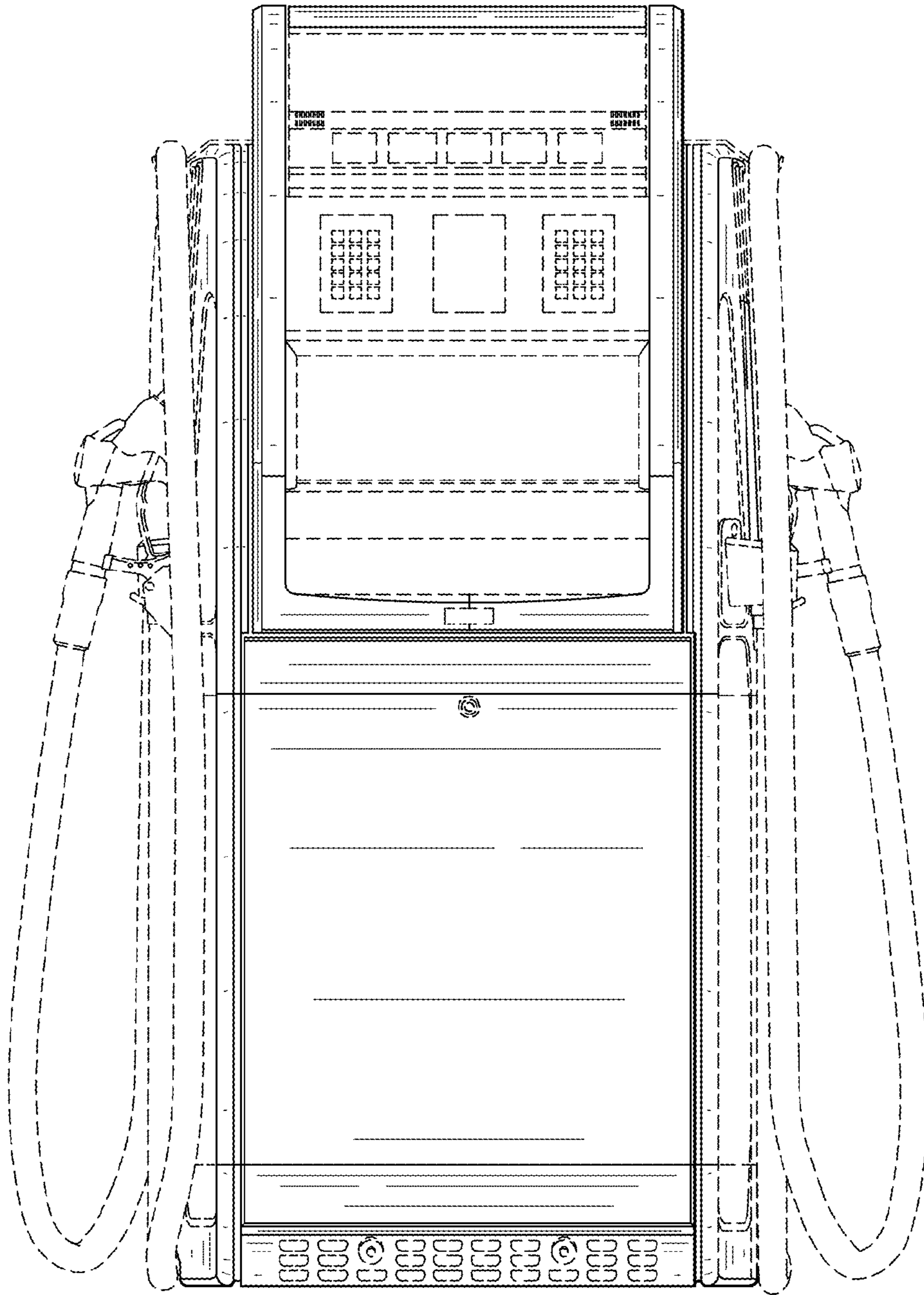


Fig. 4

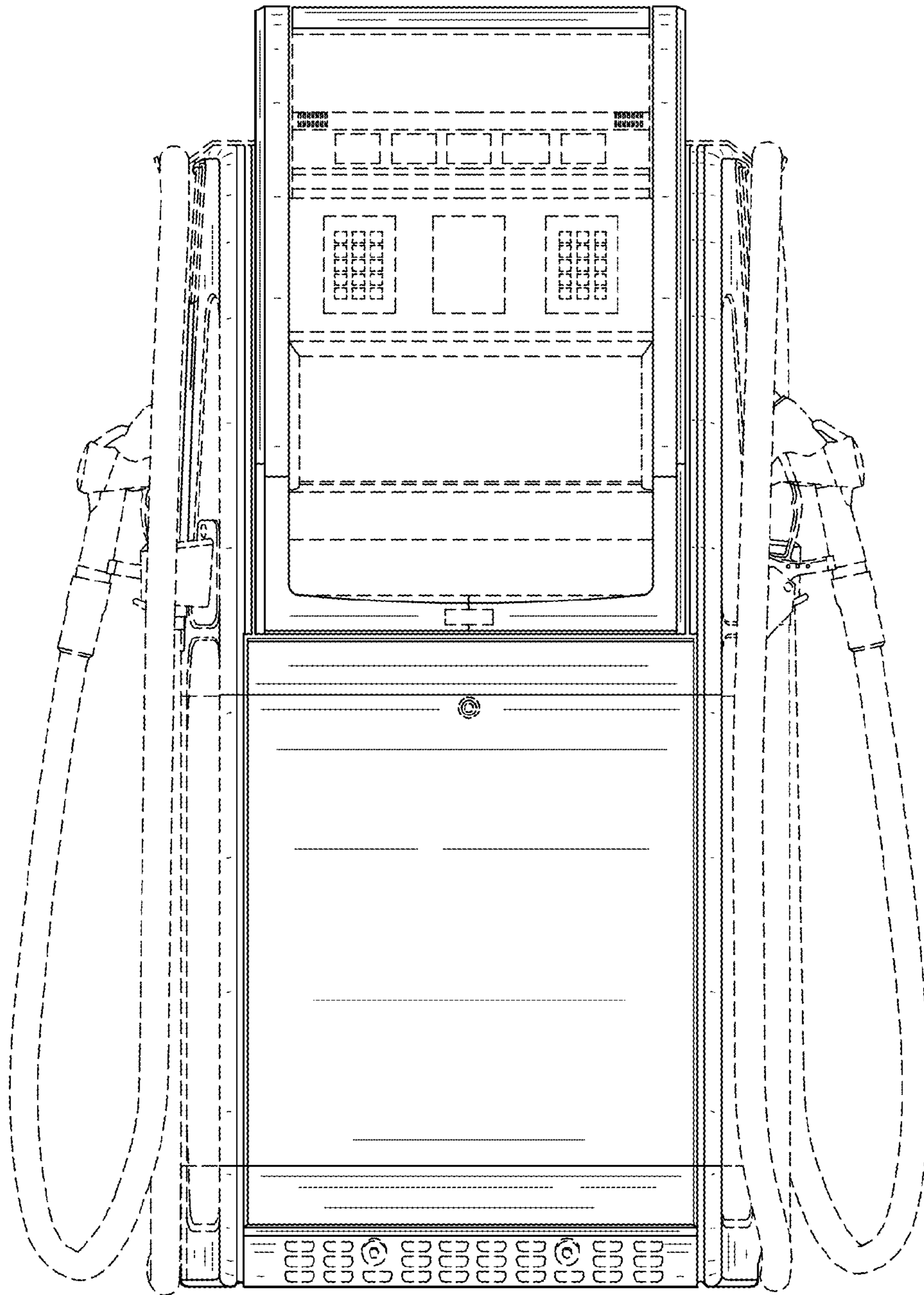


Fig. 5

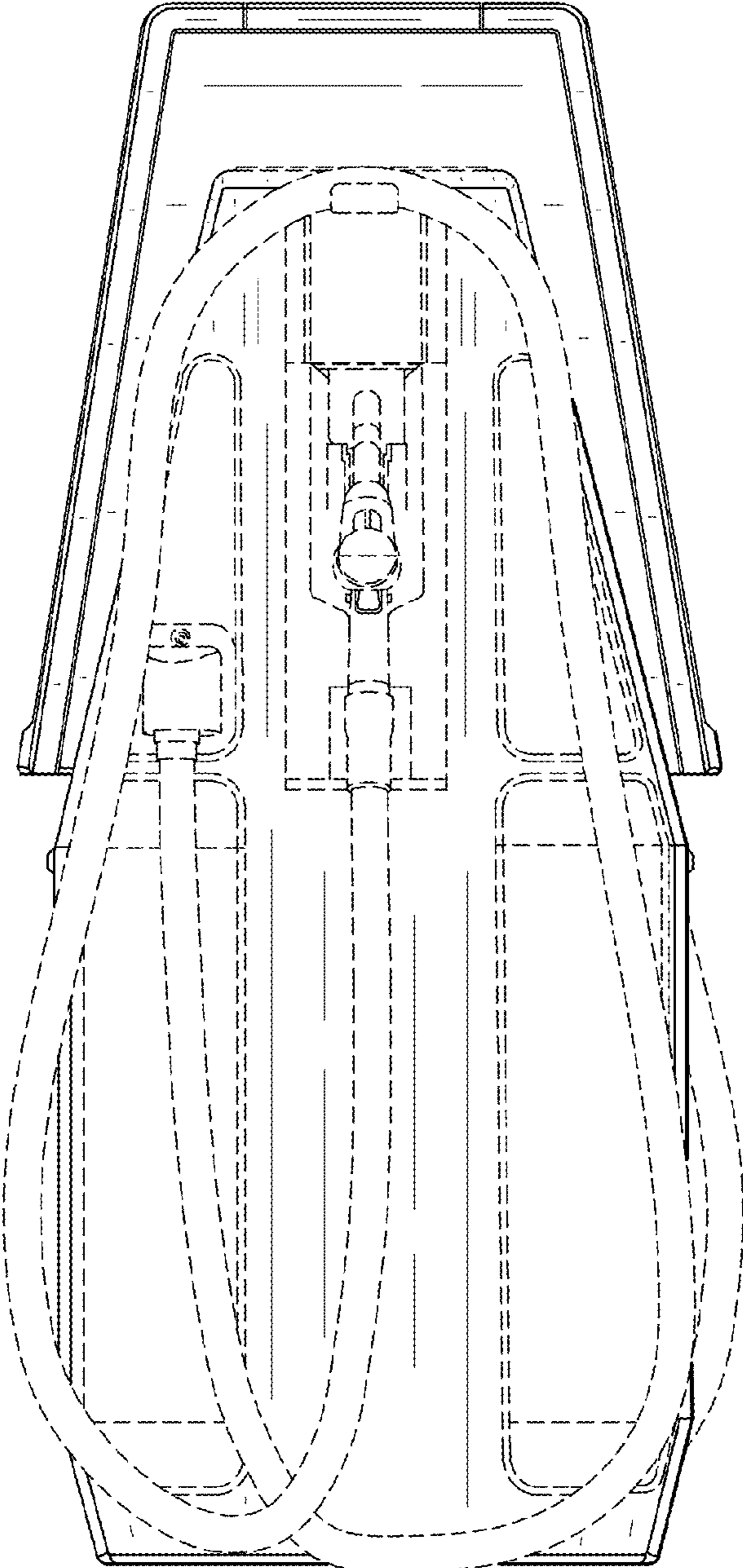


Fig. 6

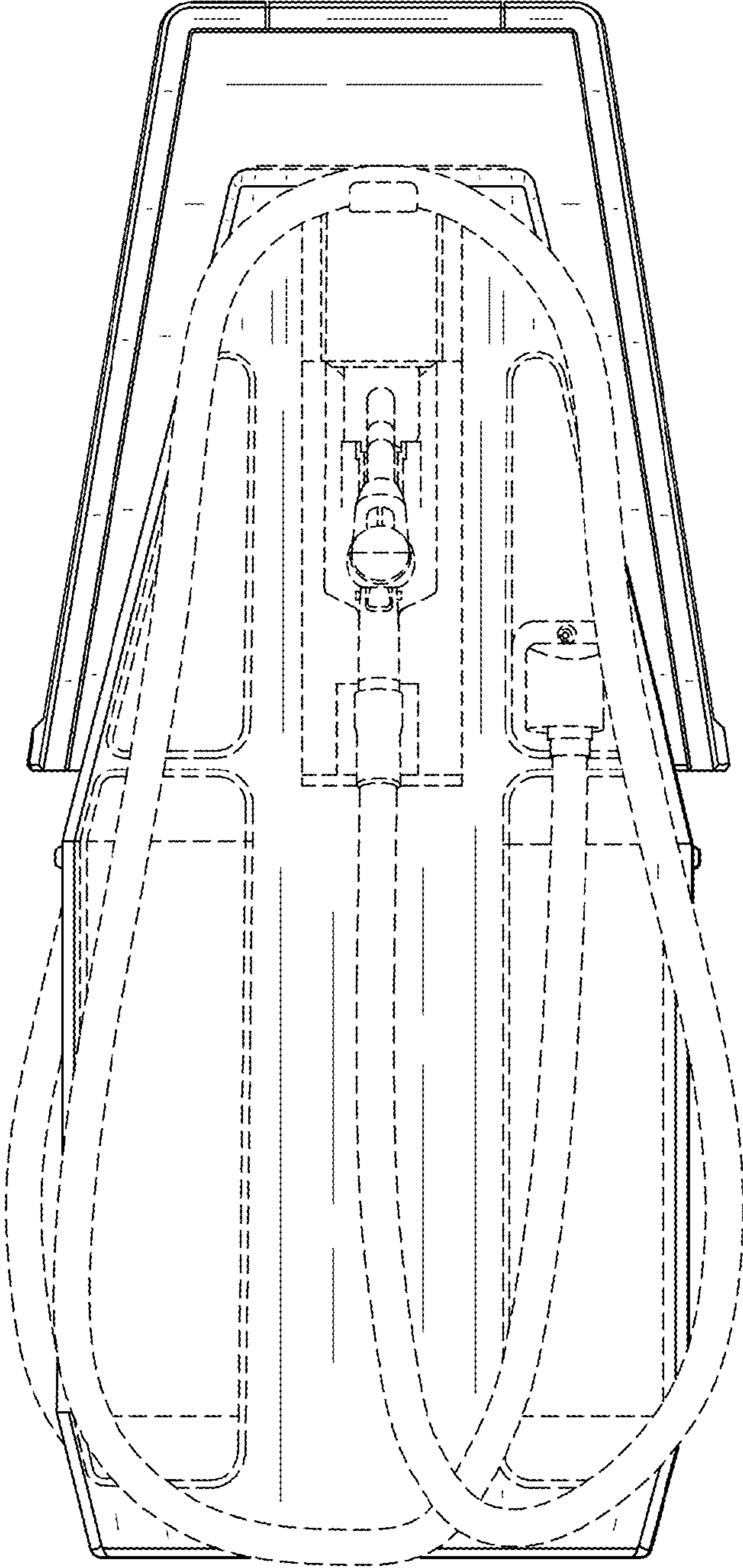




Fig. 7

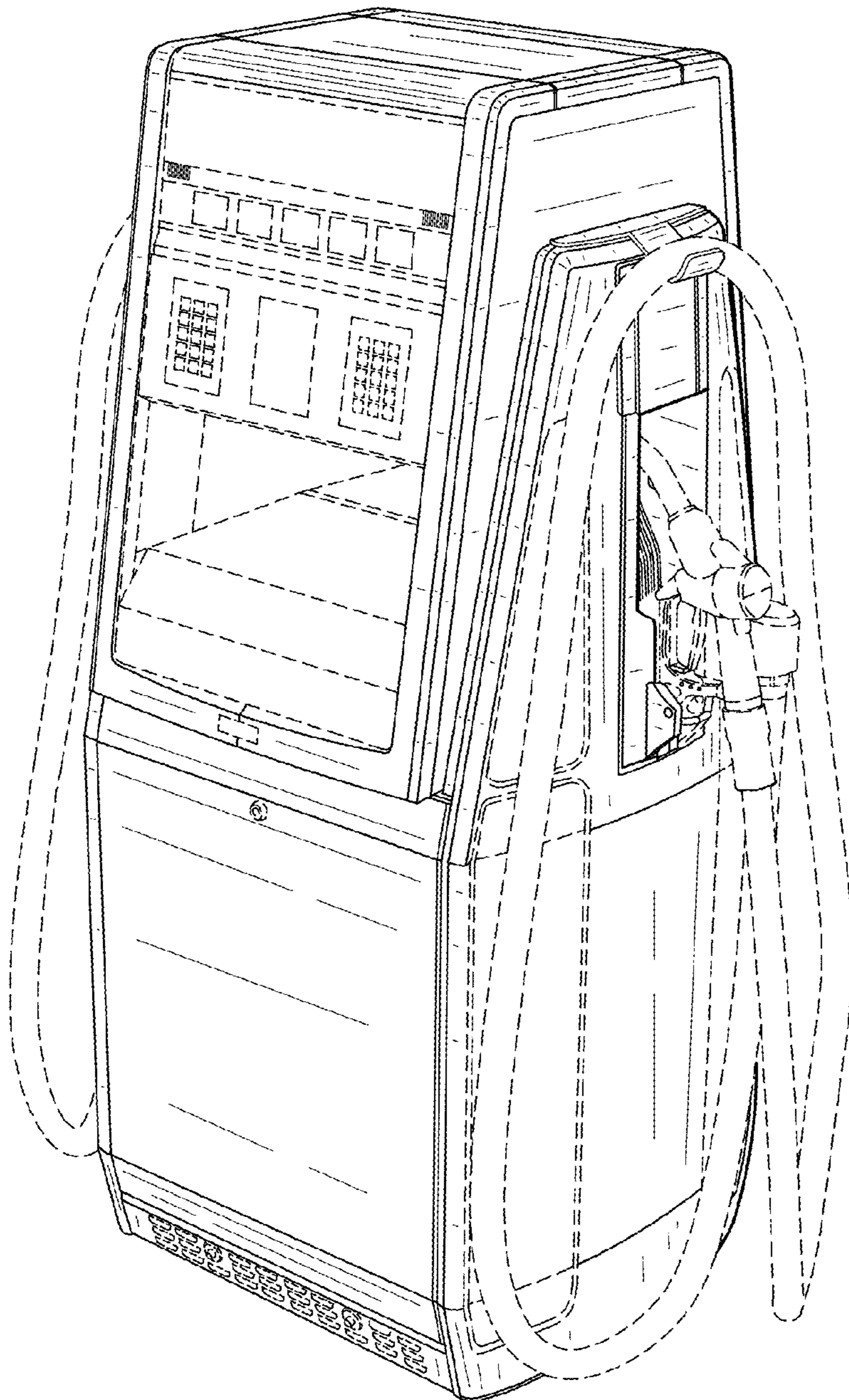


Fig. 8

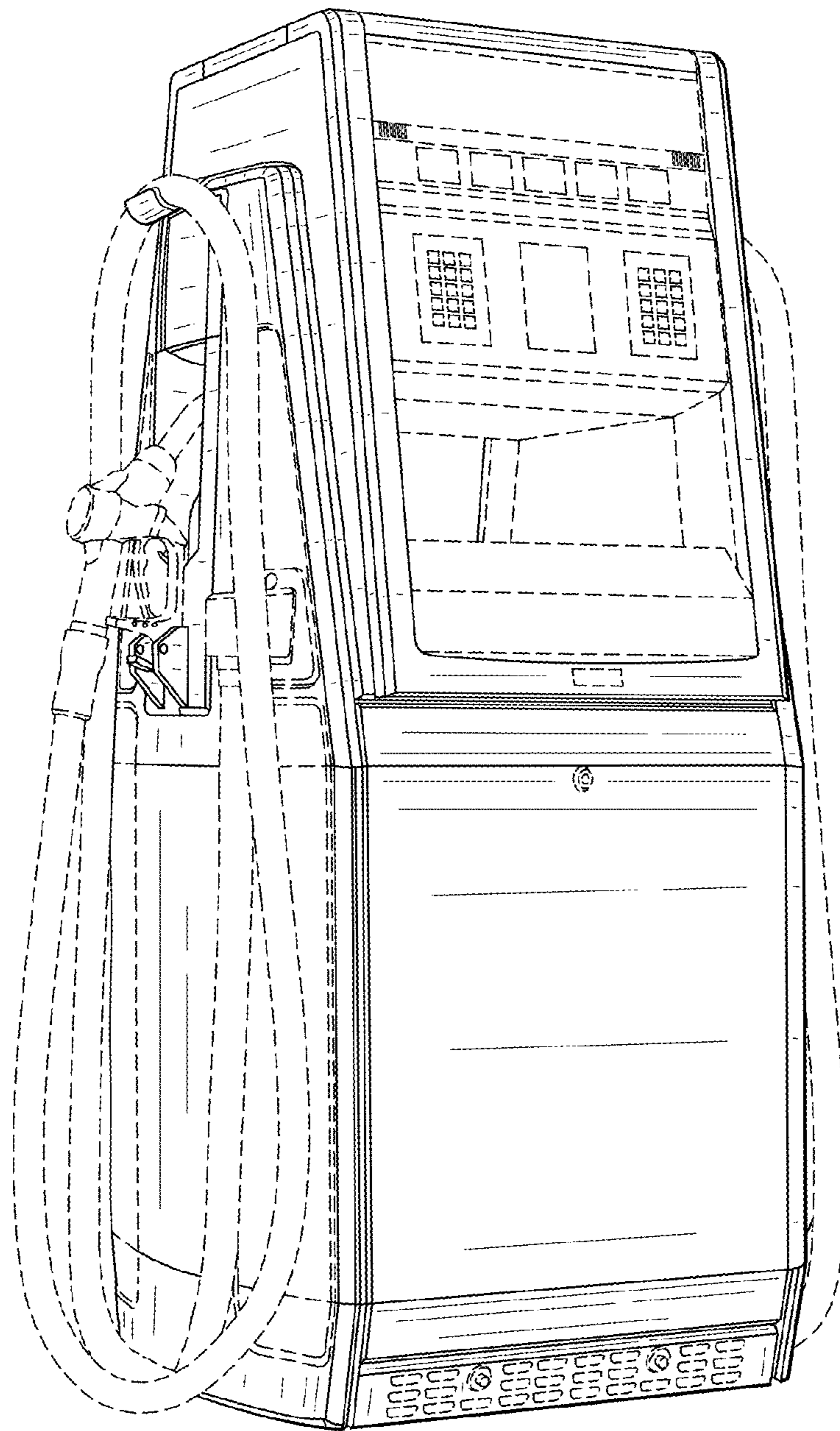


Fig. 9

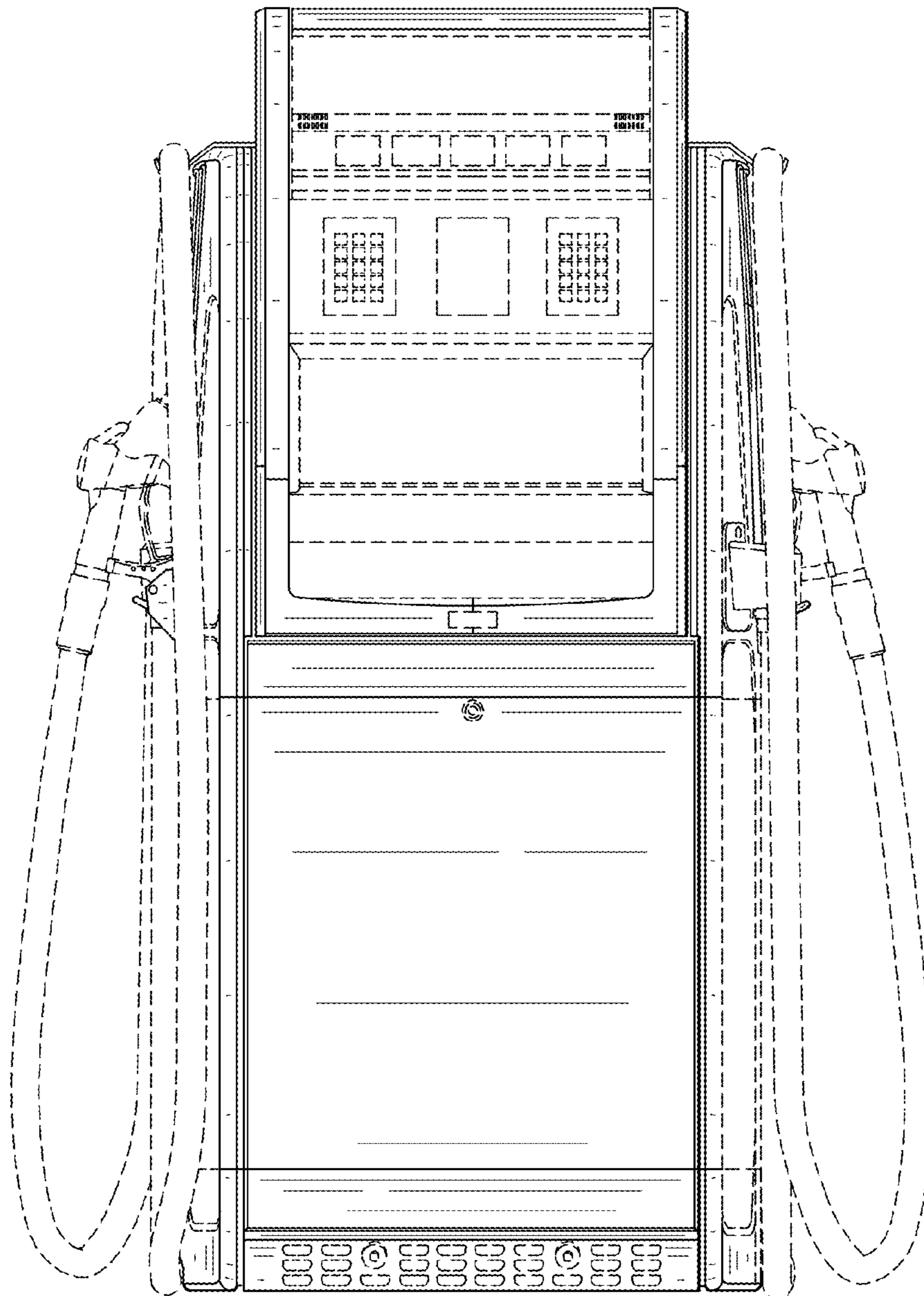


Fig. 10

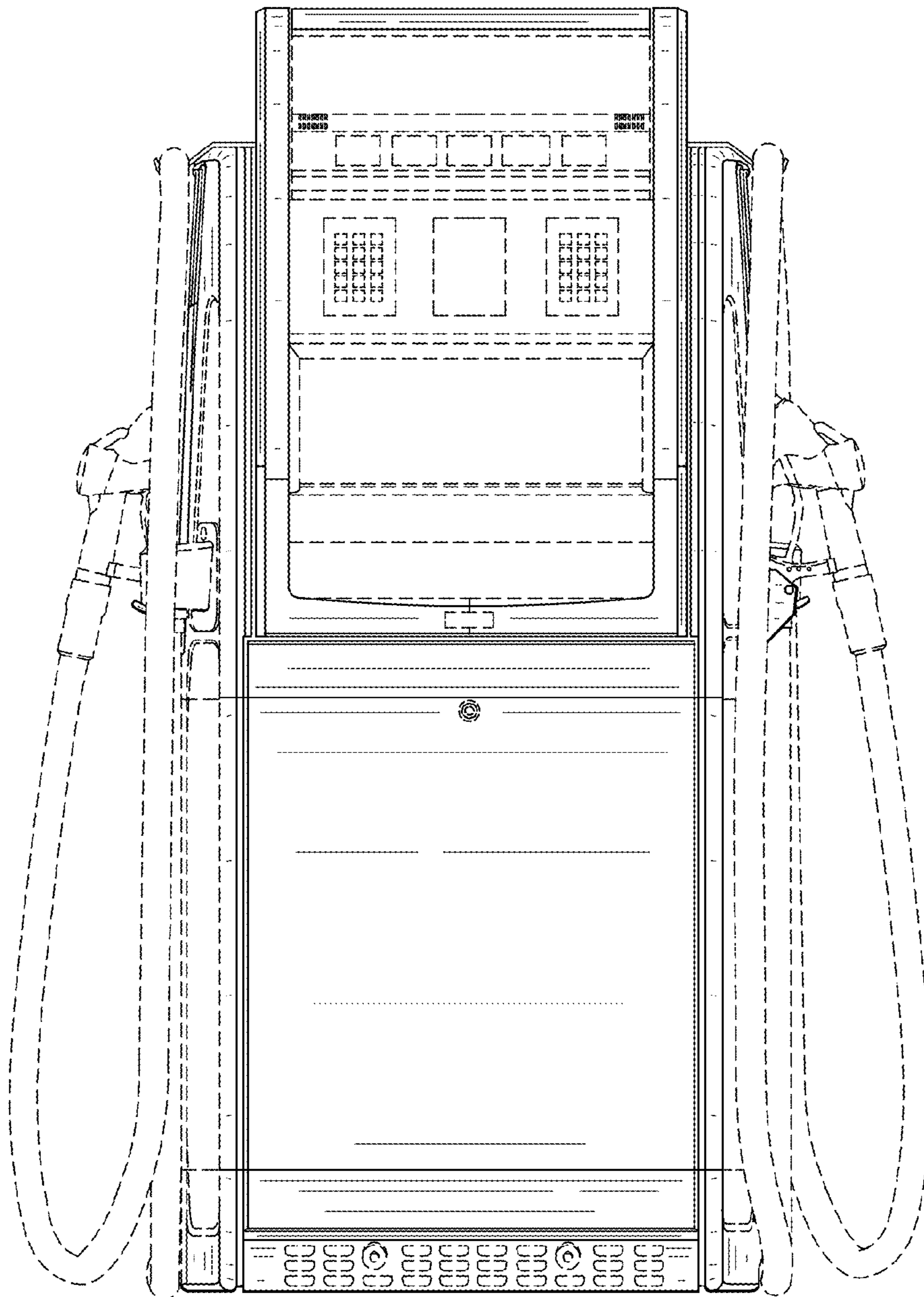


Fig. 11

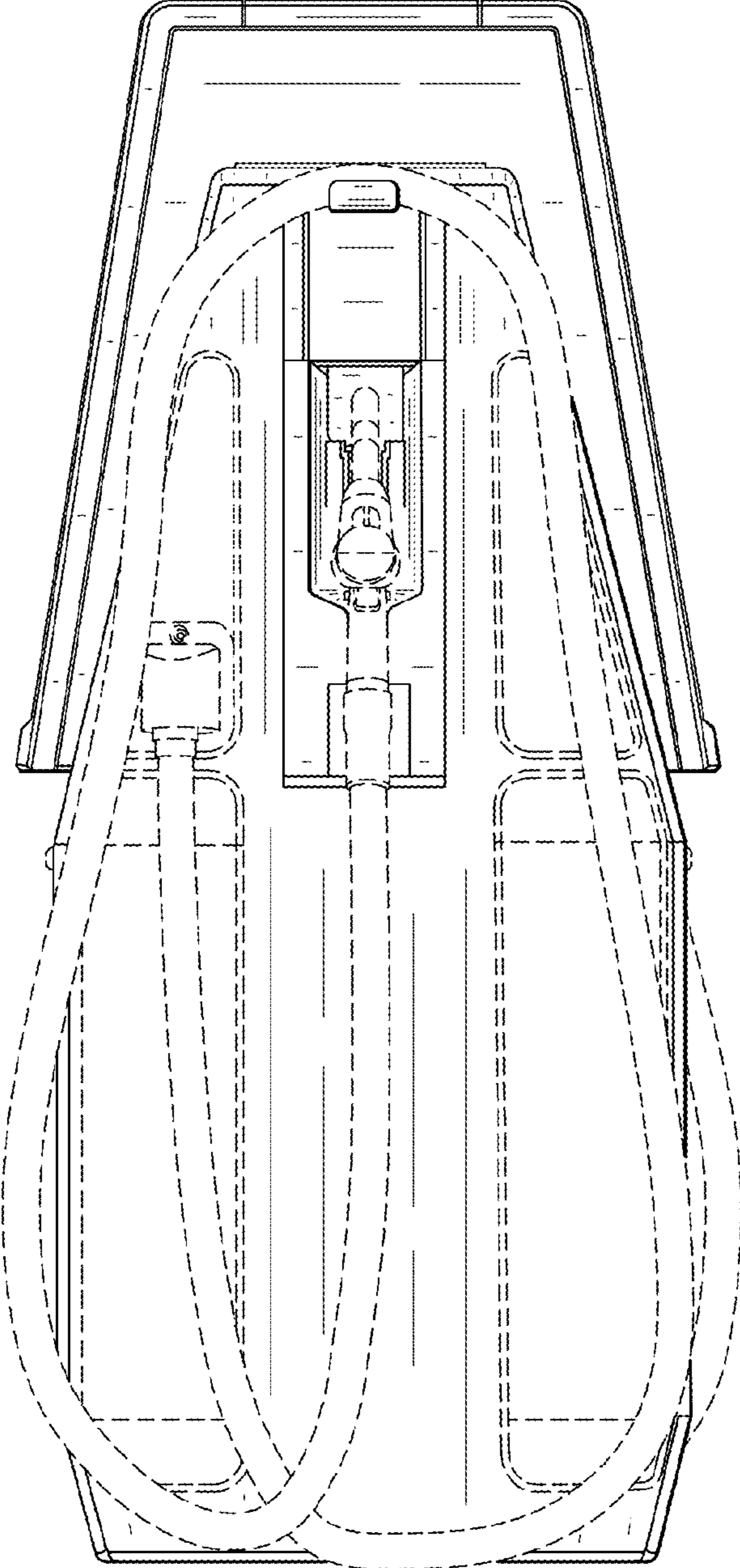


Fig. 12

