

US00D727364S

(12) **United States Design Patent**
Anderson et al.

(10) **Patent No.:** **US D727,364 S**

(45) **Date of Patent:** **** Apr. 21, 2015**

(54) **DUAL PUMP**

(71) Applicants: **Mark L. Anderson**, Spring Valley, WI (US); **Jim Wait**, Spring Valley, WI (US)

(72) Inventors: **Mark L. Anderson**, Spring Valley, WI (US); **Jim Wait**, Spring Valley, WI (US)

(73) Assignee: **Mark L. Anderson**, Spring Valley, WI (US)

(**) Term: **14 Years**

(21) Appl. No.: **29/494,862**

(22) Filed: **Jun. 25, 2014**

(51) **LOC (10) Cl.** **15-02**

(52) **U.S. Cl.**
USPC **D15/7**

(58) **Field of Classification Search**
USPC D15/7-9; D23/231, 232, 233, 213, 223;
417/410.1, 359, 415-416, 234, 321,
417/265, 405
See application file for complete search history.

(56) **References Cited**

U.S. PATENT DOCUMENTS

D97,647 S * 11/1935 Miller et al. D23/231
D175,660 S * 9/1955 Welch D23/232

D188,527 S * 8/1960 Becker D28/9
D223,040 S * 2/1972 Otto D15/7
D256,945 S * 9/1980 Willis D23/232
D295,522 S * 5/1988 Martin et al. D15/7
D324,868 S * 3/1992 Jacobs D15/7
D343,443 S * 1/1994 Gadberry D23/231
D356,494 S * 3/1995 Eke et al. D9/684
D379,402 S * 5/1997 Paul D23/232
D401,944 S * 12/1998 Campbell D15/7
6,604,655 B1 * 8/2003 Lee 222/135

* cited by examiner

Primary Examiner — Ralf Seifert

(74) *Attorney, Agent, or Firm* — Skinner and Associates;
Joel Skinner

(57) **CLAIM**

The ornamental design for a dual pump, as shown and described.

DESCRIPTION

FIG. 1 is a perspective view of a dual pump showing an embodiment of the design of the invention.

FIG. 2 is front view thereof.

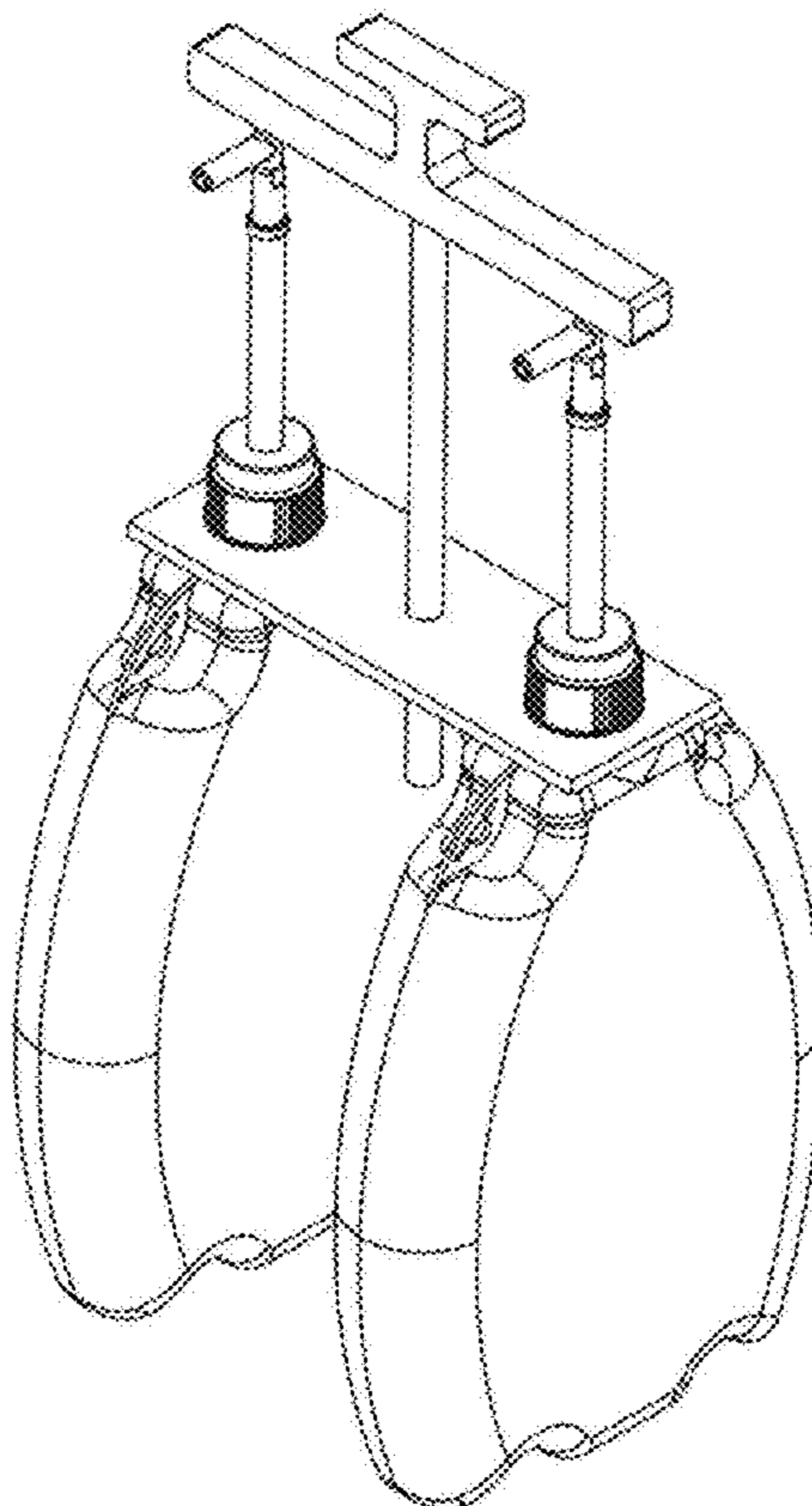
FIG. 3 is a back view thereof.

FIG. 4 is a side view thereof, the opposite side being a mirror image thereof.

FIG. 5 is a top view thereof; and,

FIG. 6 is a bottom view thereof.

1 Claim, 2 Drawing Sheets



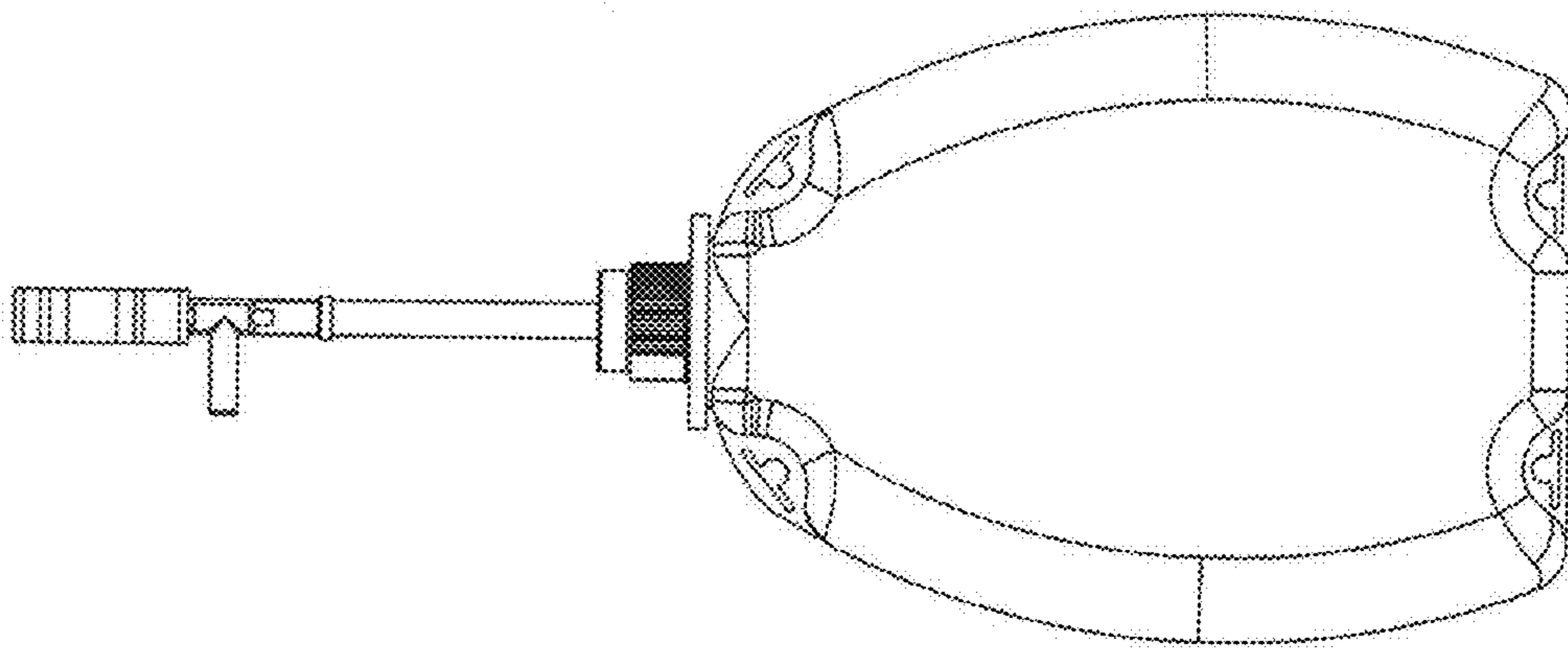


Fig. 3

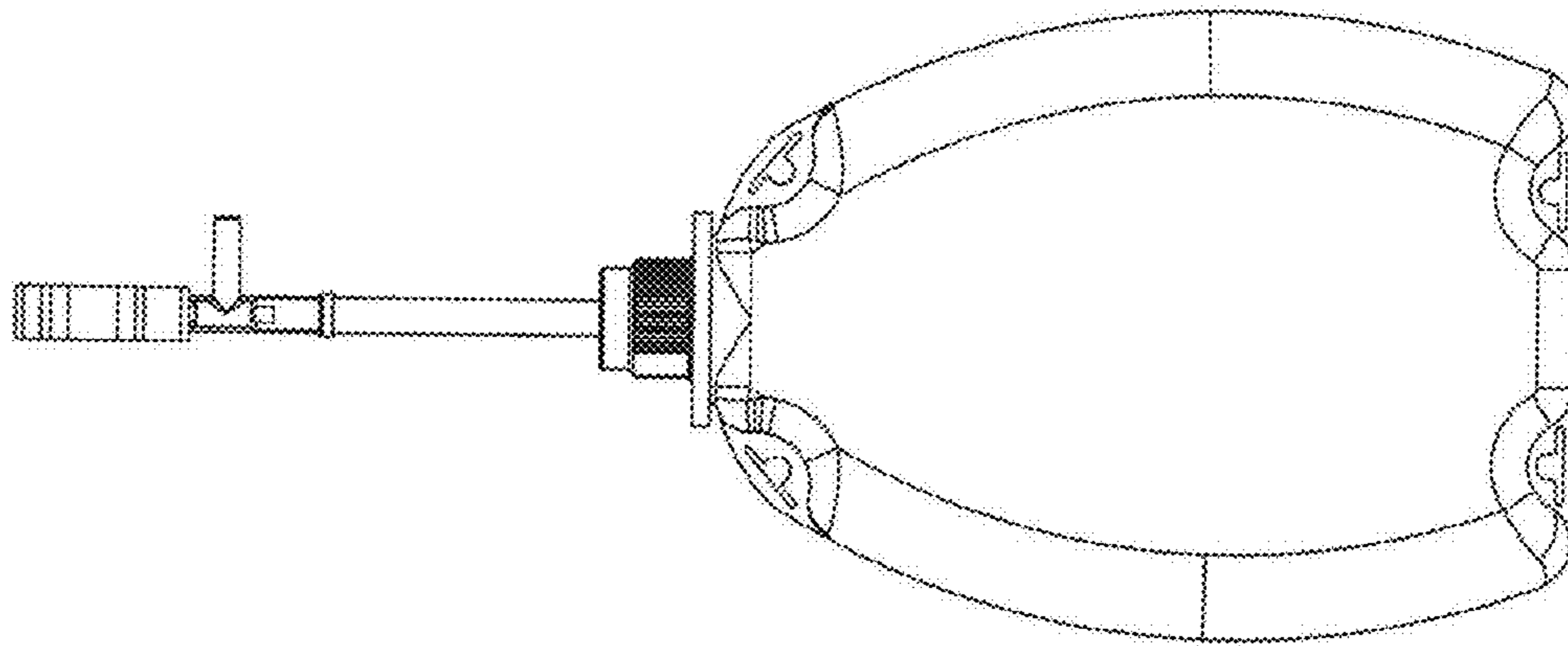


Fig. 2

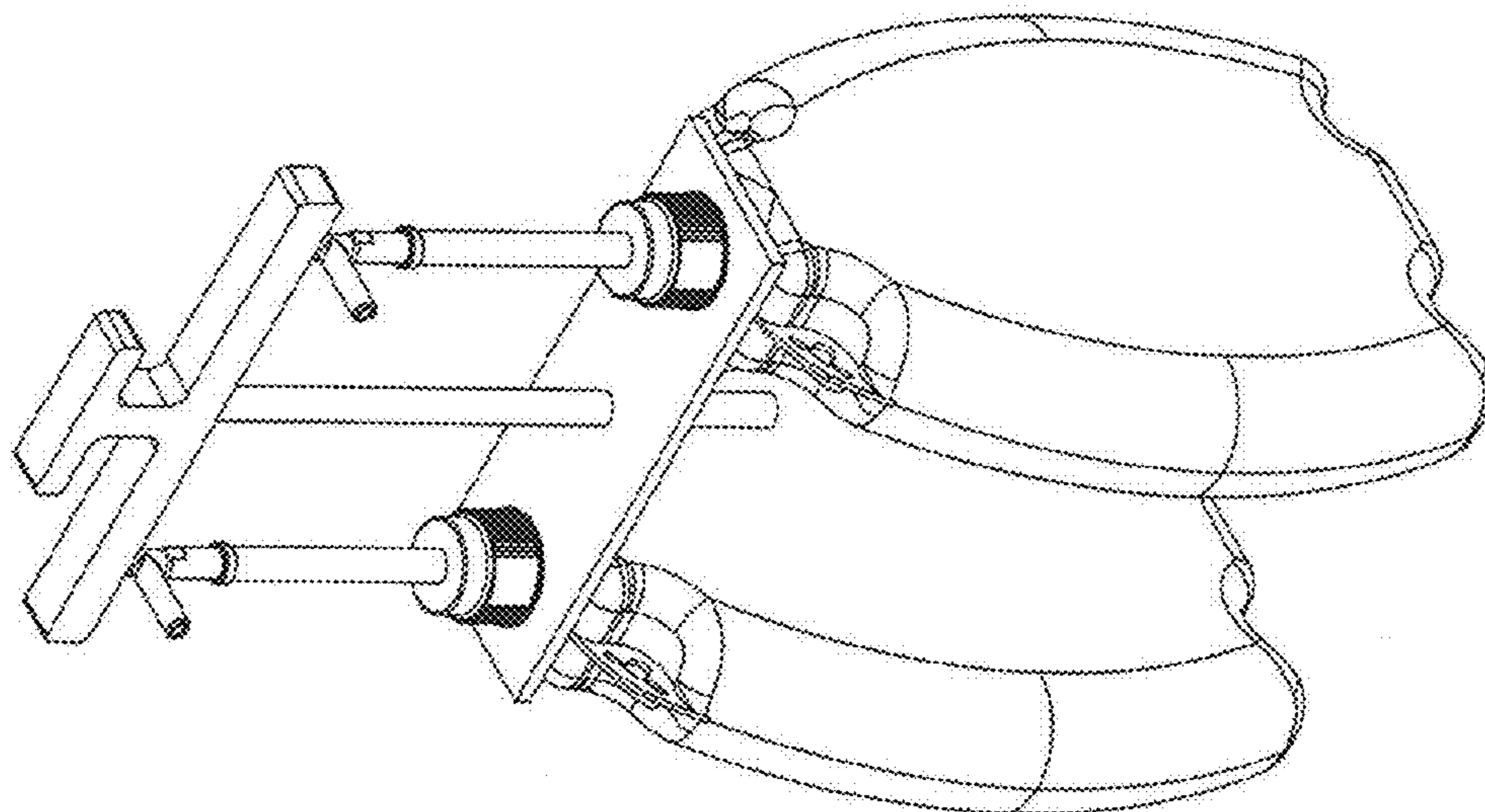


Fig. 1

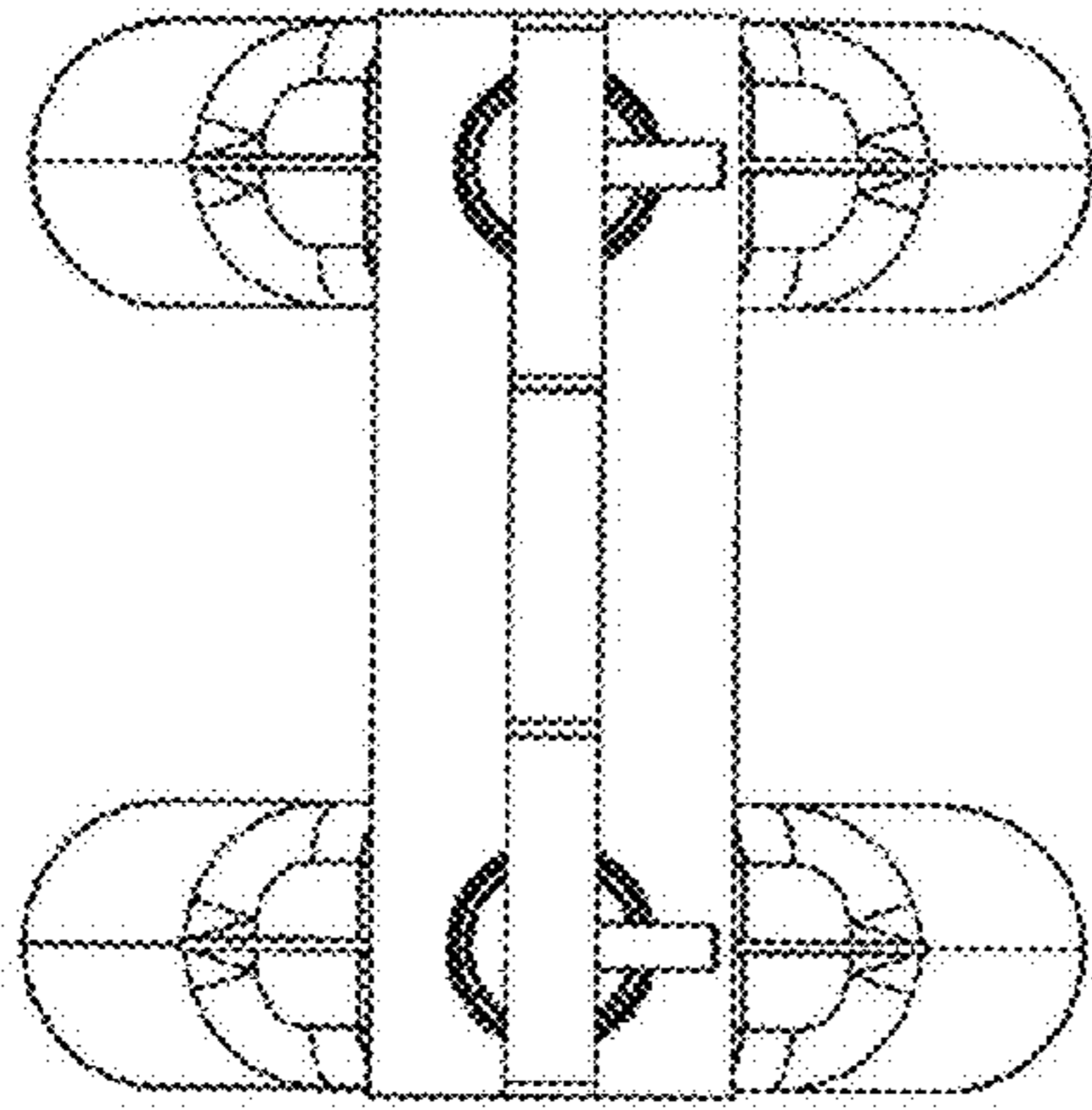


Fig. 5

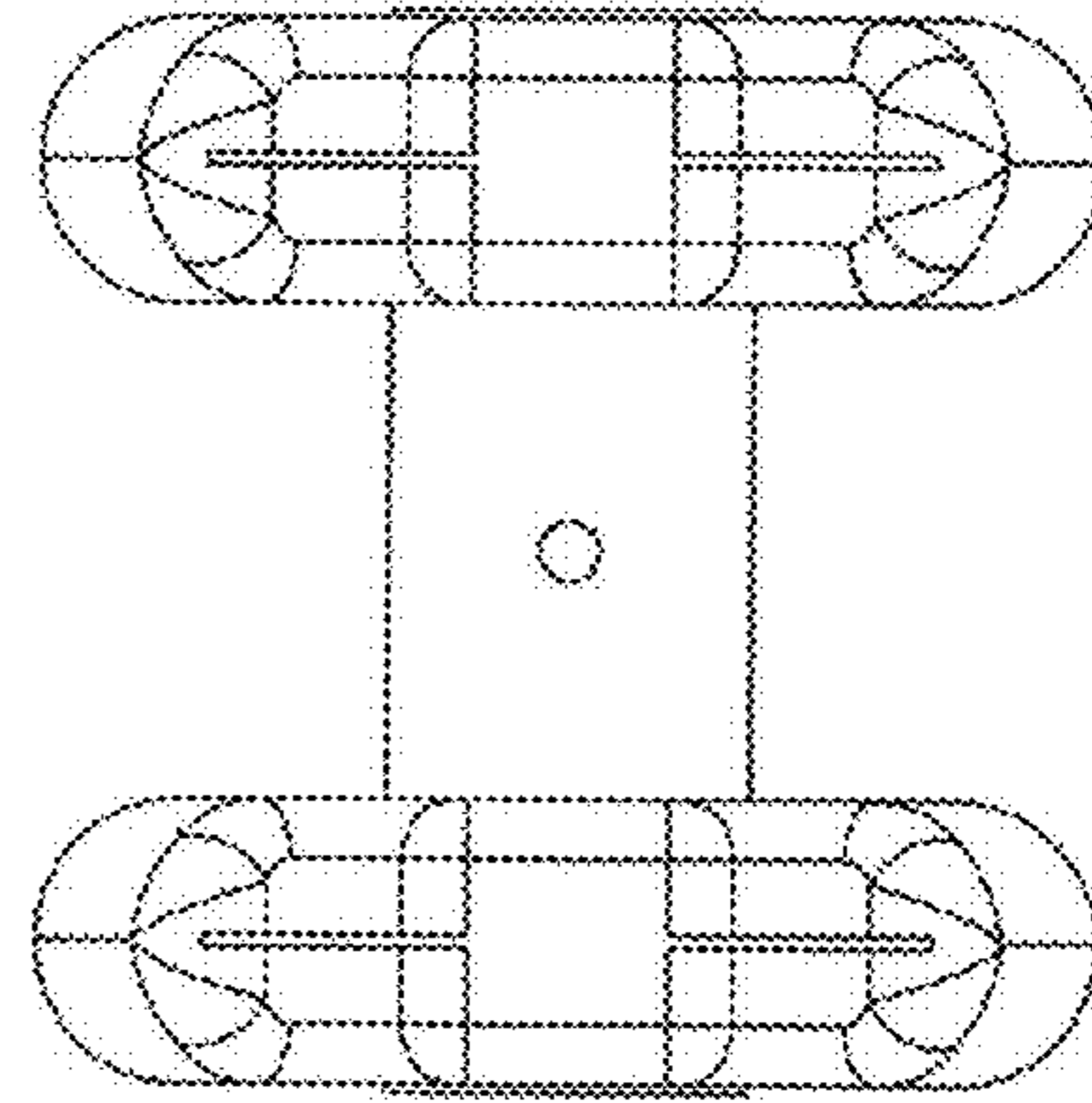


Fig. 6

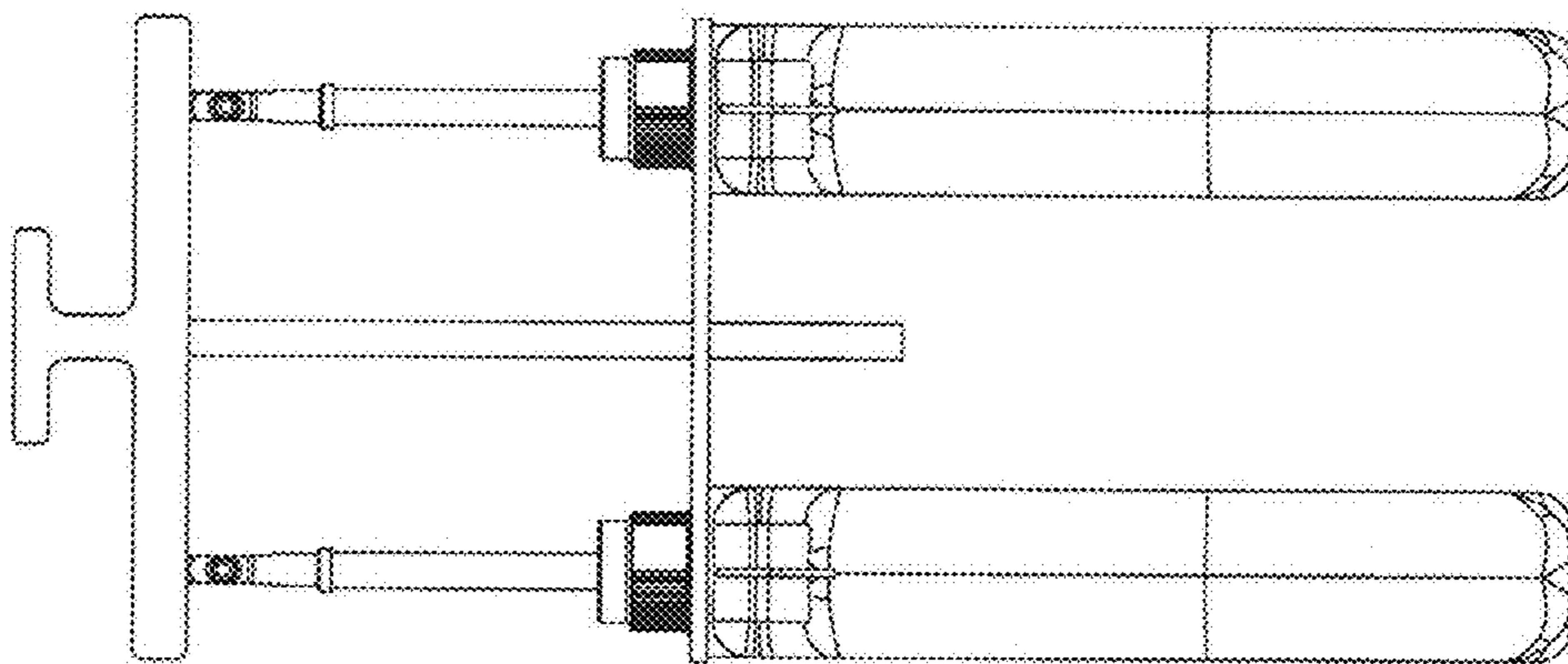


Fig. 4