



US00D727363S

(12) **United States Design Patent**  
**Carpenter**

(10) **Patent No.:** **US D727,363 S**

(45) **Date of Patent:** **\*\* Apr. 21, 2015**

(54) **PAINT SPRAY PUMP HOUSING**

- (71) Applicant: **Wagner Spray Tech Corporation**,  
Plymouth, MN (US)
- (72) Inventor: **Scott Robert Carpenter**, Rogers, MN  
(US)
- (73) Assignee: **Wagner Spray Tech Corporation**,  
Plymouth, MN (US)
- (\*\*) Term: **14 Years**

(21) Appl. No.: **29/484,037**

(22) Filed: **Mar. 5, 2014**

(51) **LOC (10) Cl.** ..... **15-02**

(52) **U.S. Cl.**  
USPC ..... **D15/7**

(58) **Field of Classification Search**  
USPC ..... D15/7-9; D23/231, 232, 225; 417/60,  
417/235, 265, 321, 355, 358, 363, 359,  
417/410.1, 415-416, 405, 900, 43, 554;  
60/408, 412; 184/26-37; 415/140-147;  
123/495, 509; 166/105.1, 105.2, 311  
See application file for complete search history.

(56) **References Cited**

**U.S. PATENT DOCUMENTS**

D338,208 S	*	8/1993	Reents et al.	.....	D15/9
D338,329 S	*	8/1993	Cornwall	.....	D3/272
D340,724 S	*	10/1993	Mariol	.....	D15/7
D436,600 S	*	1/2001	Larsson	.....	D15/7
D522,534 S	*	6/2006	Kawasaki	.....	D15/7
D557,708 S		12/2007	Carpenter et al.		
D572,273 S		7/2008	Carpenter et al.		
D639,311 S		6/2011	Peterson et al.		
D648,352 S		11/2011	Hsiao		
D669,096 S		10/2012	Katsura		

**OTHER PUBLICATIONS**

Application from Design U.S. Appl. No. 29/448,727, filed Mar. 13, 2013. 2 Pages.  
 Drawings from Design U.S. Appl. No. 29/448,727, filed Mar. 13, 2013. 14 Pages.  
 \* cited by examiner  
*Primary Examiner* — Ralf Seifert  
 (74) *Attorney, Agent, or Firm* — Christopher J. Volkmann;  
 Kelly, Holt & Christenson, PLLC

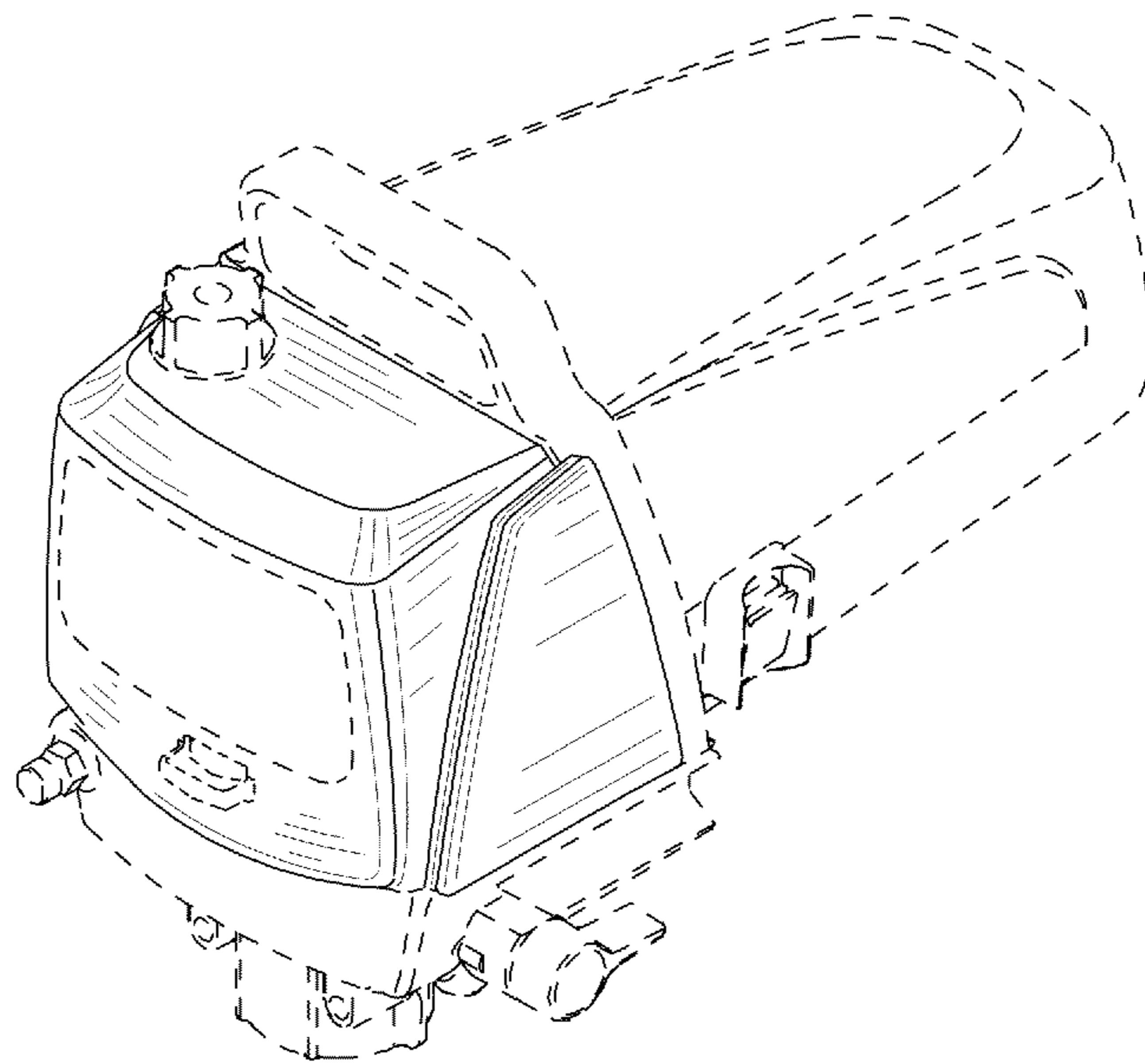
(57) **CLAIM**

The ornamental design for a paint spray pump housing, as shown and described.

**DESCRIPTION**

FIG. 1 is a perspective view of a first embodiment of a paint spray pump housing;  
 FIG. 2 is a front view thereof;  
 FIG. 3 is a back view thereof;  
 FIG. 4 is a right side view thereof;  
 FIG. 5 is a left side view thereof;  
 FIG. 6 is a top view thereof;  
 FIG. 7 is a bottom view thereof.  
 FIG. 8 is a perspective view of a second embodiment thereof;  
 FIG. 9 is a front view of FIG. 8;  
 FIG. 10 is a back view of FIG. 8;  
 FIG. 11 is a right side view of FIG. 8;  
 FIG. 12 is a left side view of FIG. 8;  
 FIG. 13 is a top view of FIG. 8; and,  
 FIG. 14 is a bottom view of FIG. 8.  
 The details shown in broken lines form no part of the claimed design.

**1 Claim, 14 Drawing Sheets**



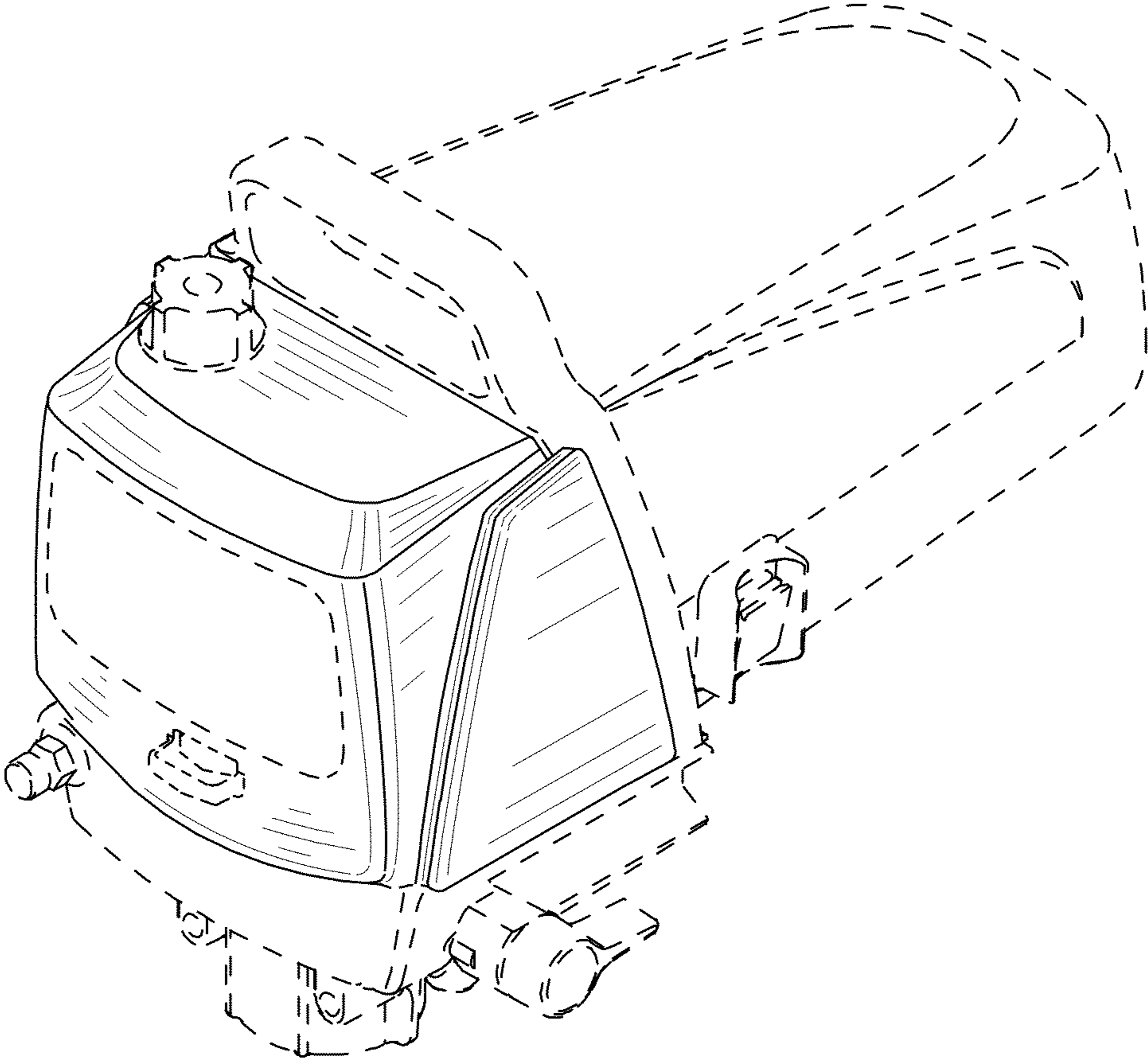


Fig. 1

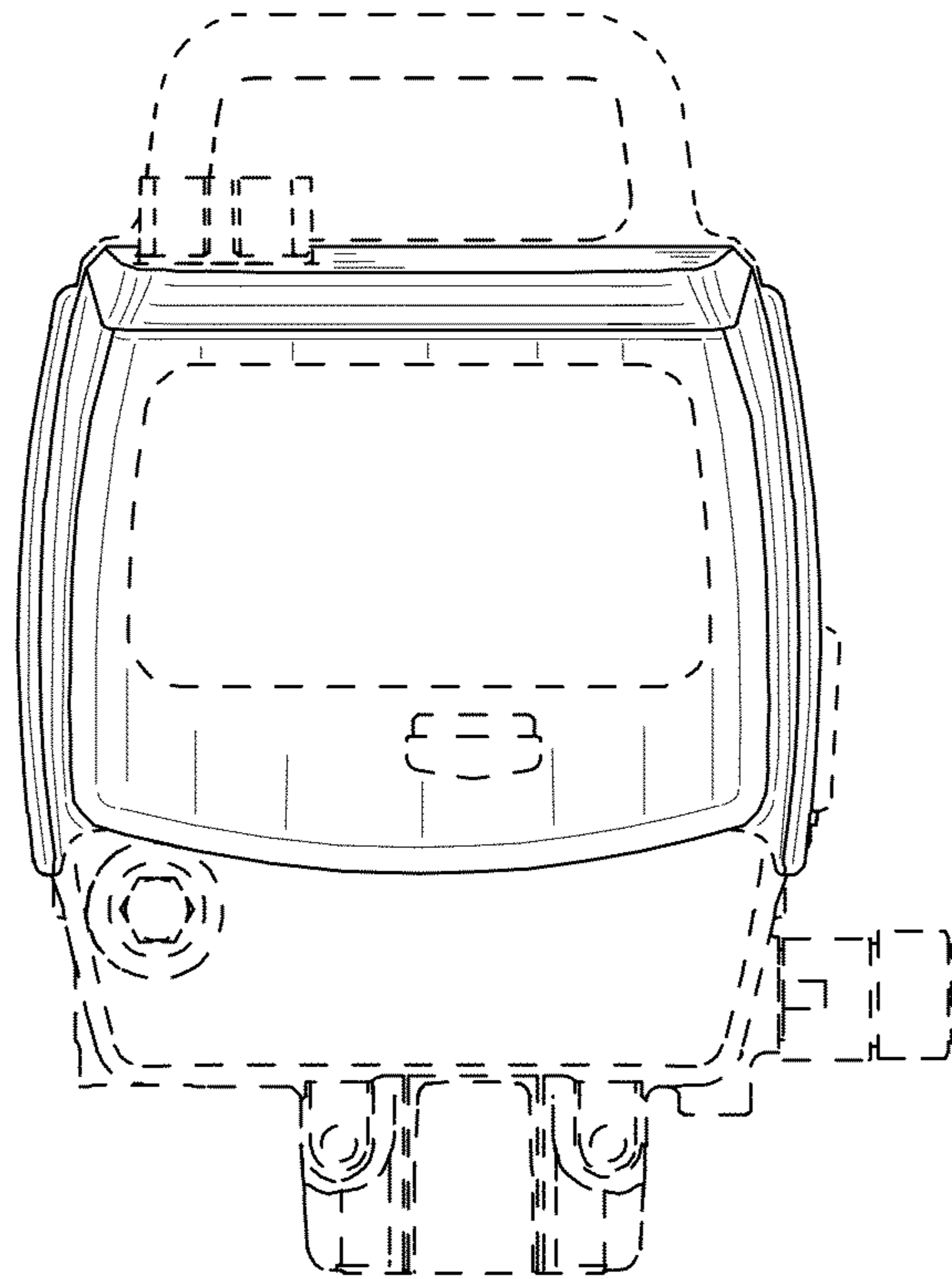


Fig. 2

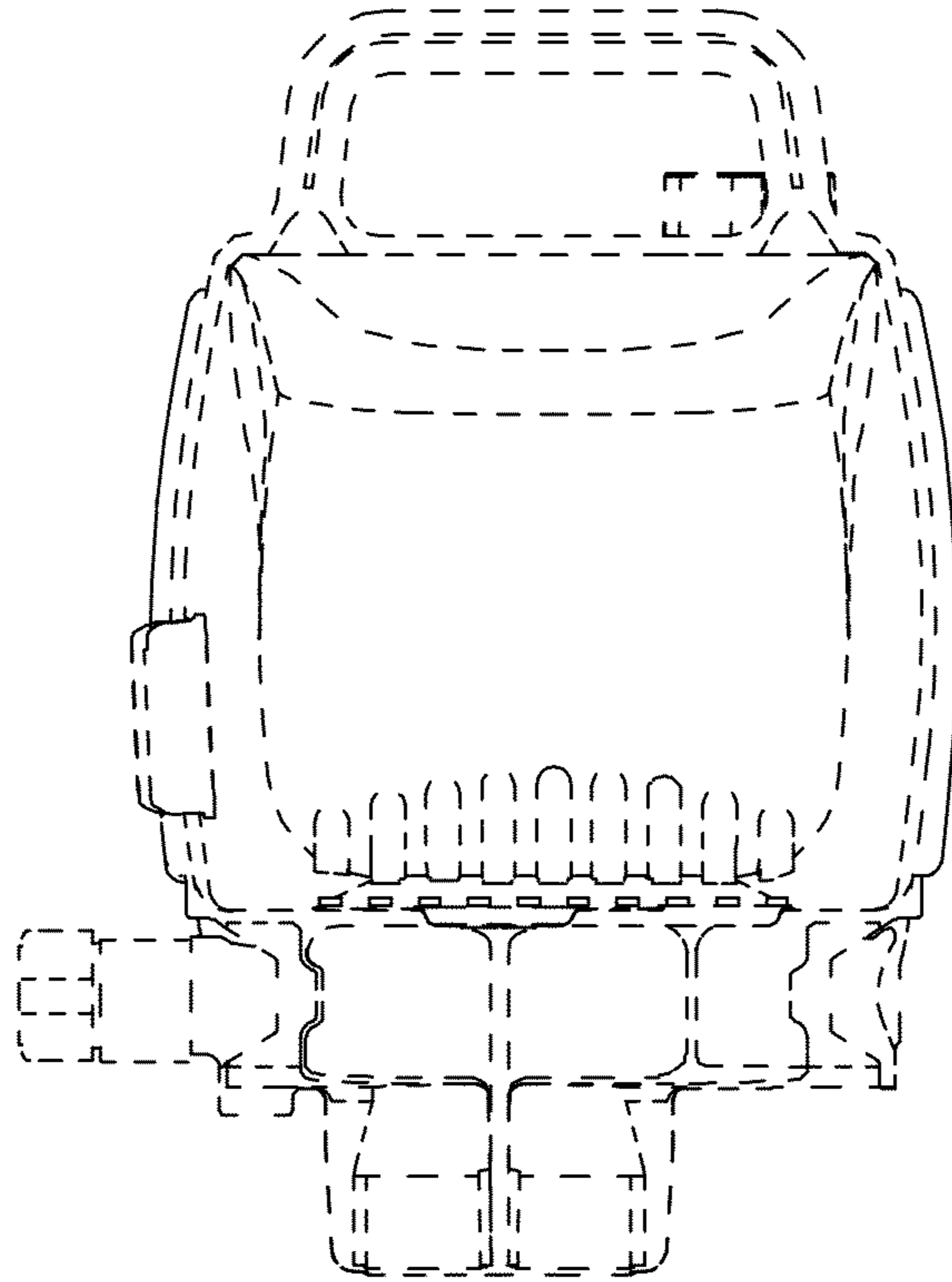


Fig. 3

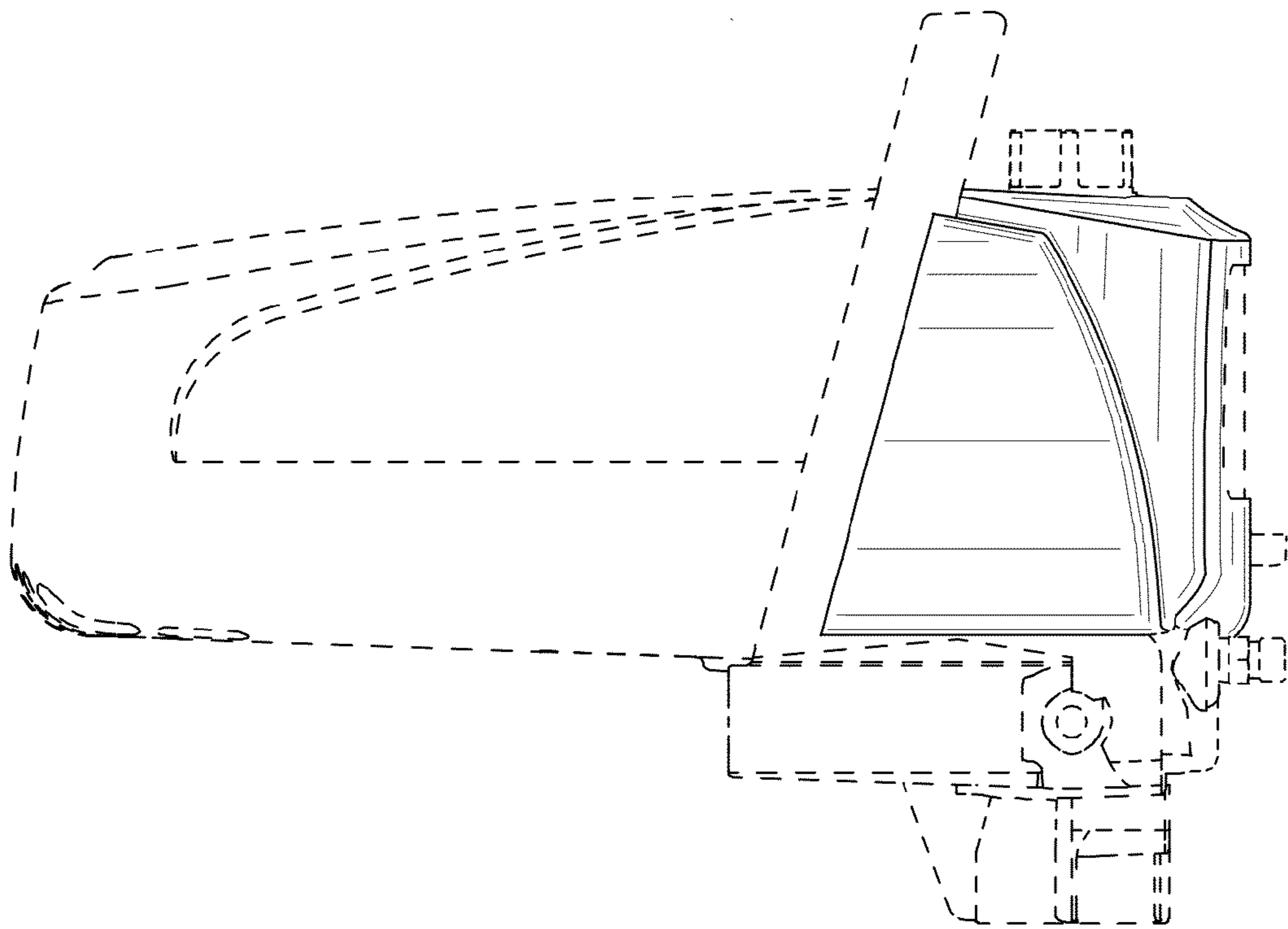


Fig. 4

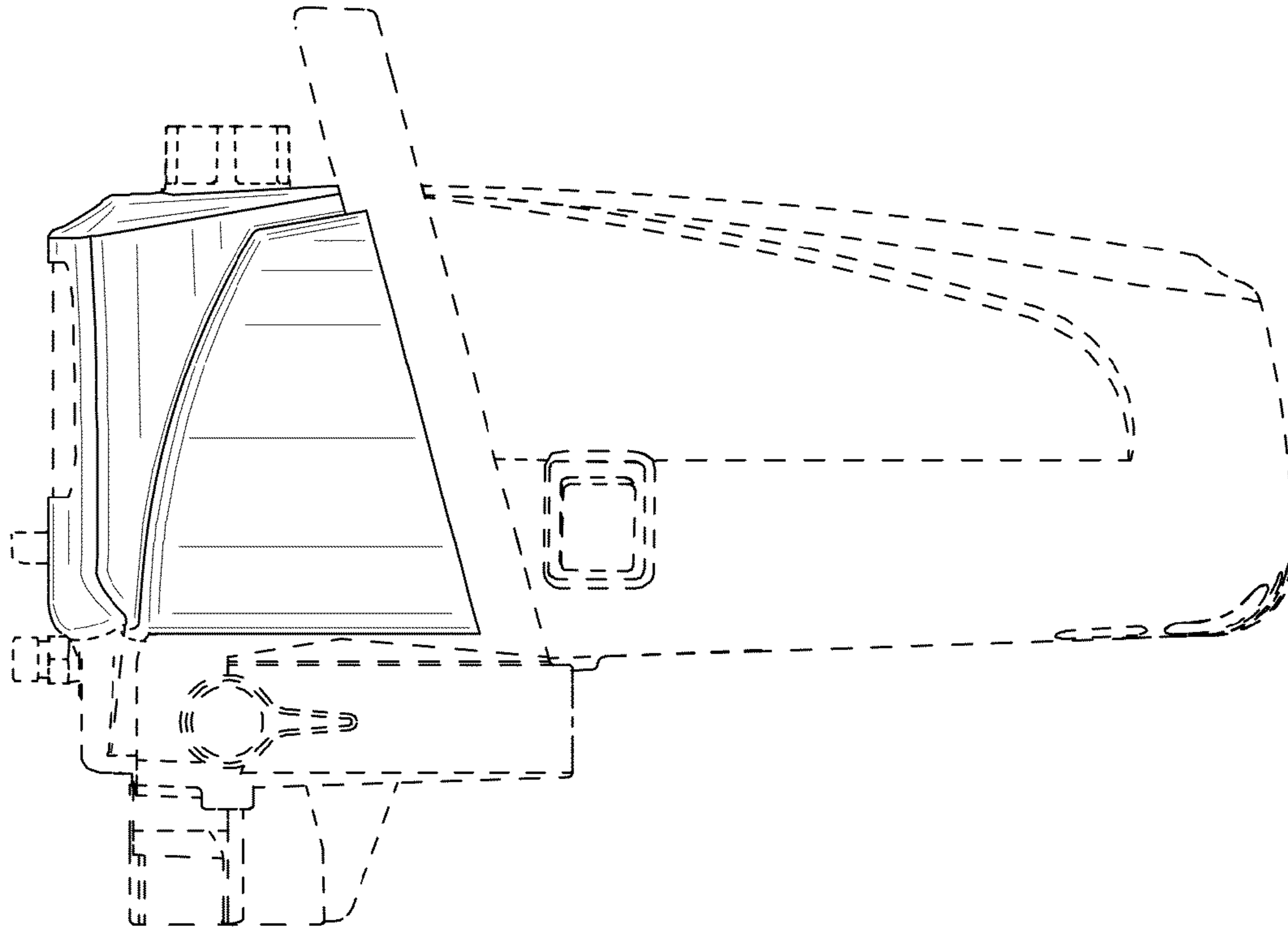


Fig. 5

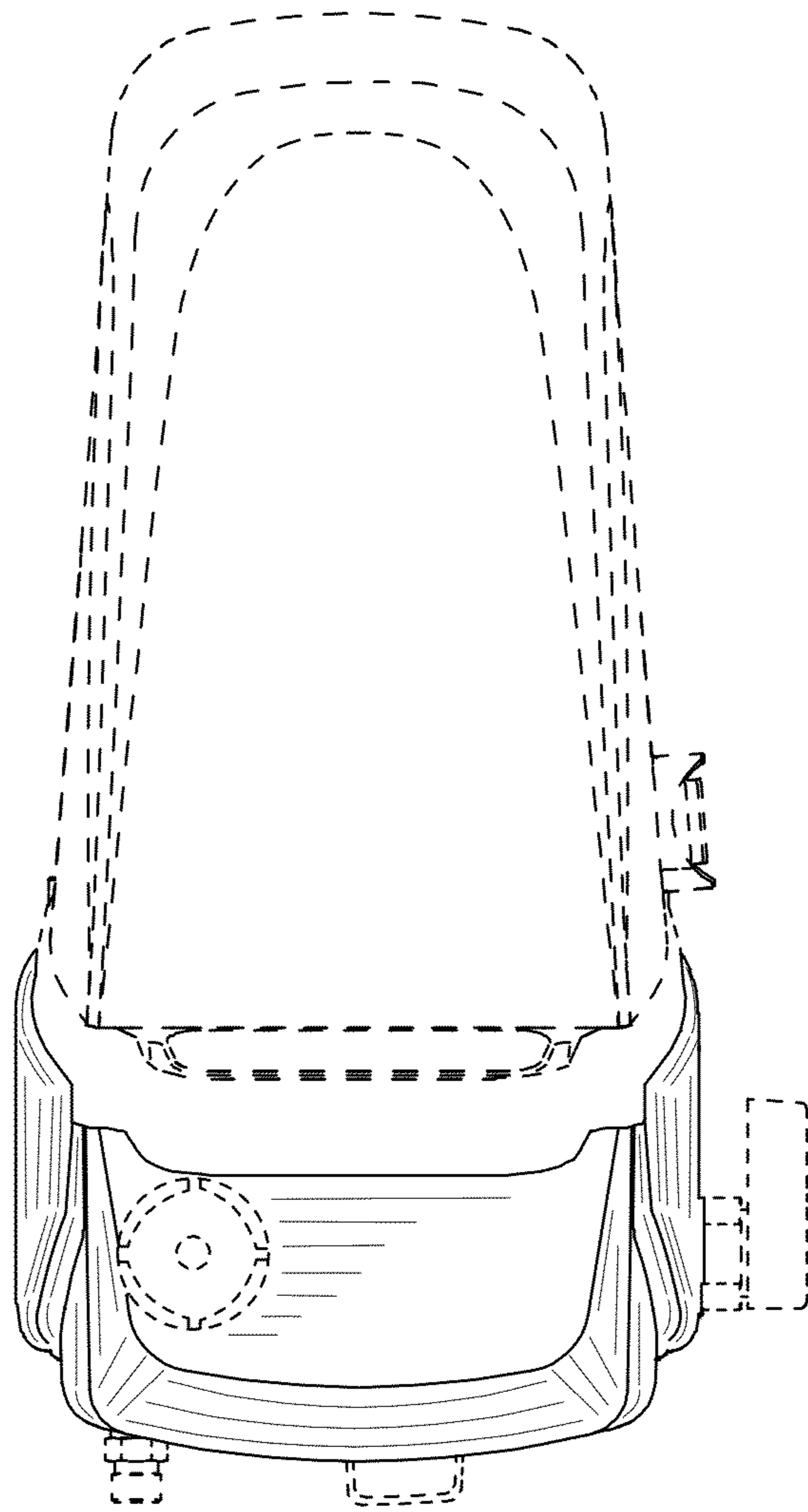


Fig. 6

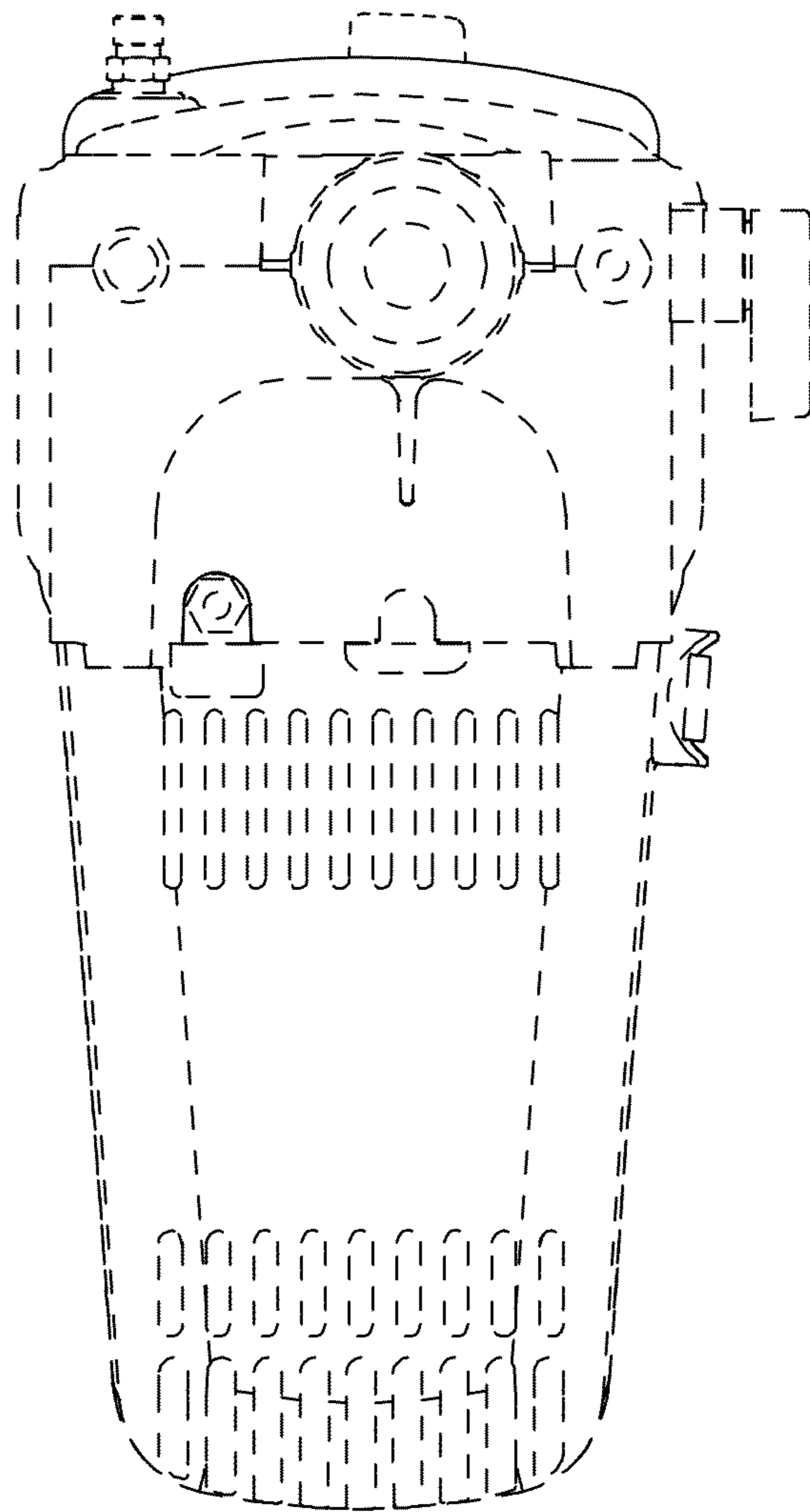


Fig. 7



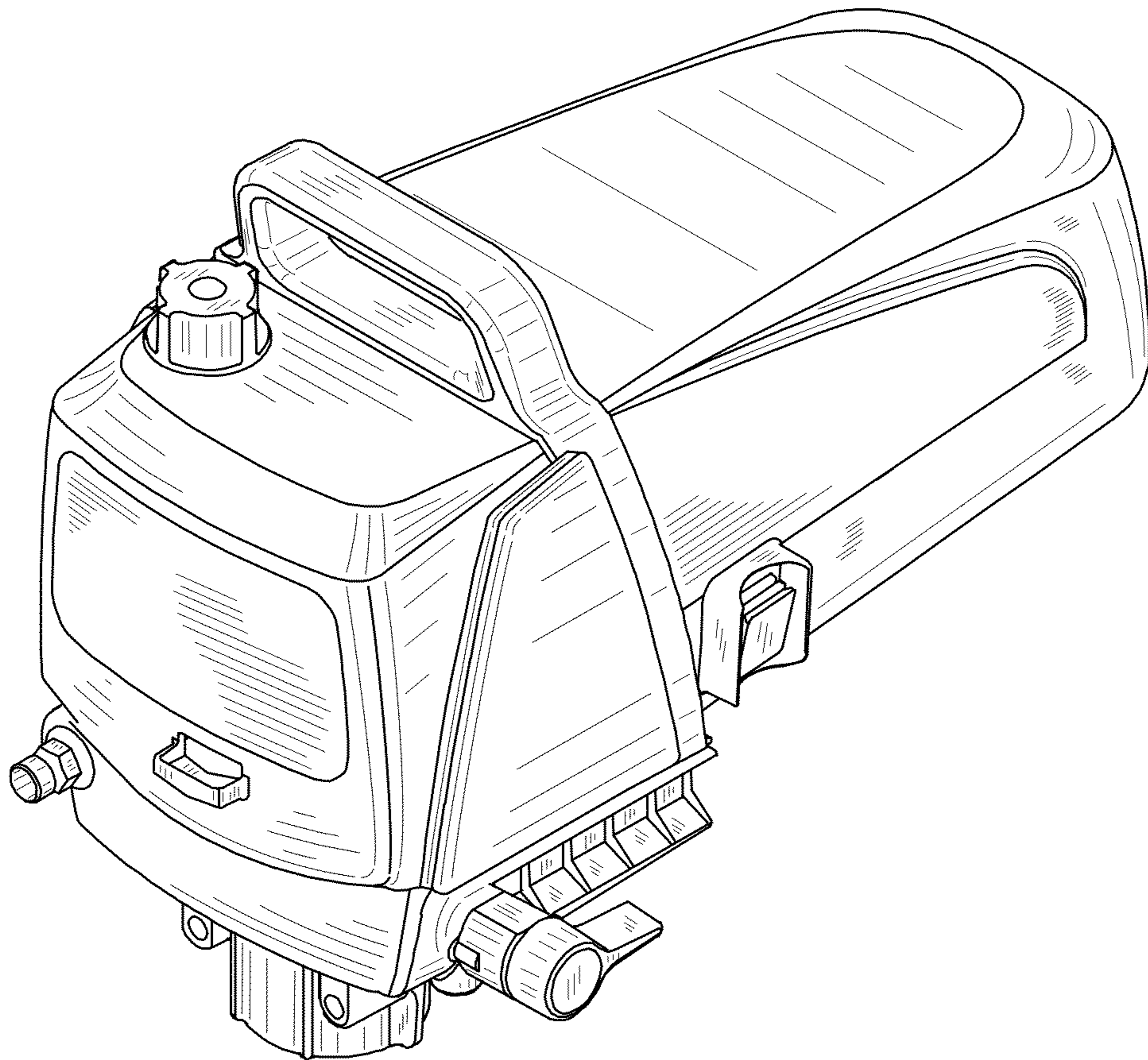


Fig. 8

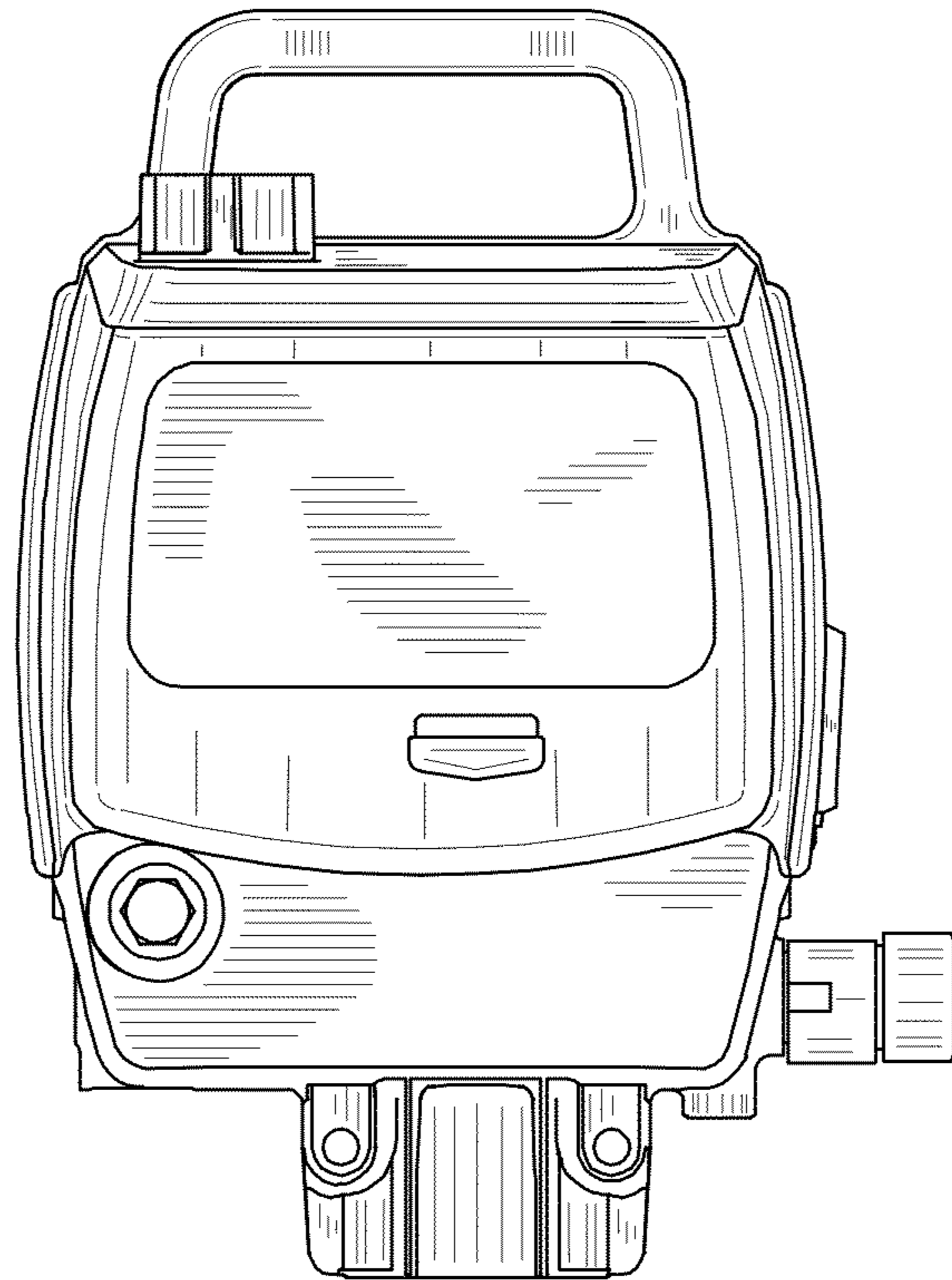


Fig. 9

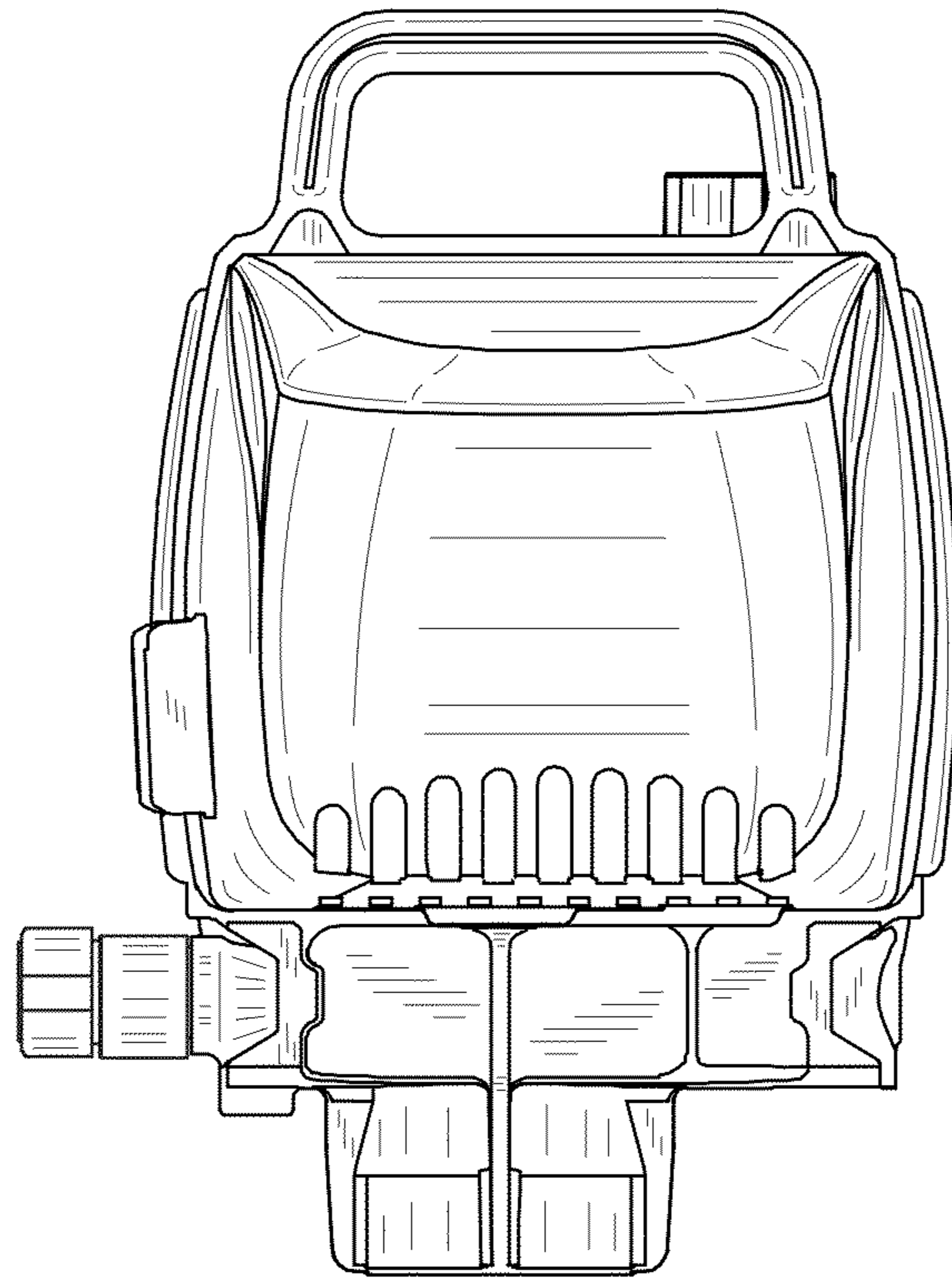


Fig. 10

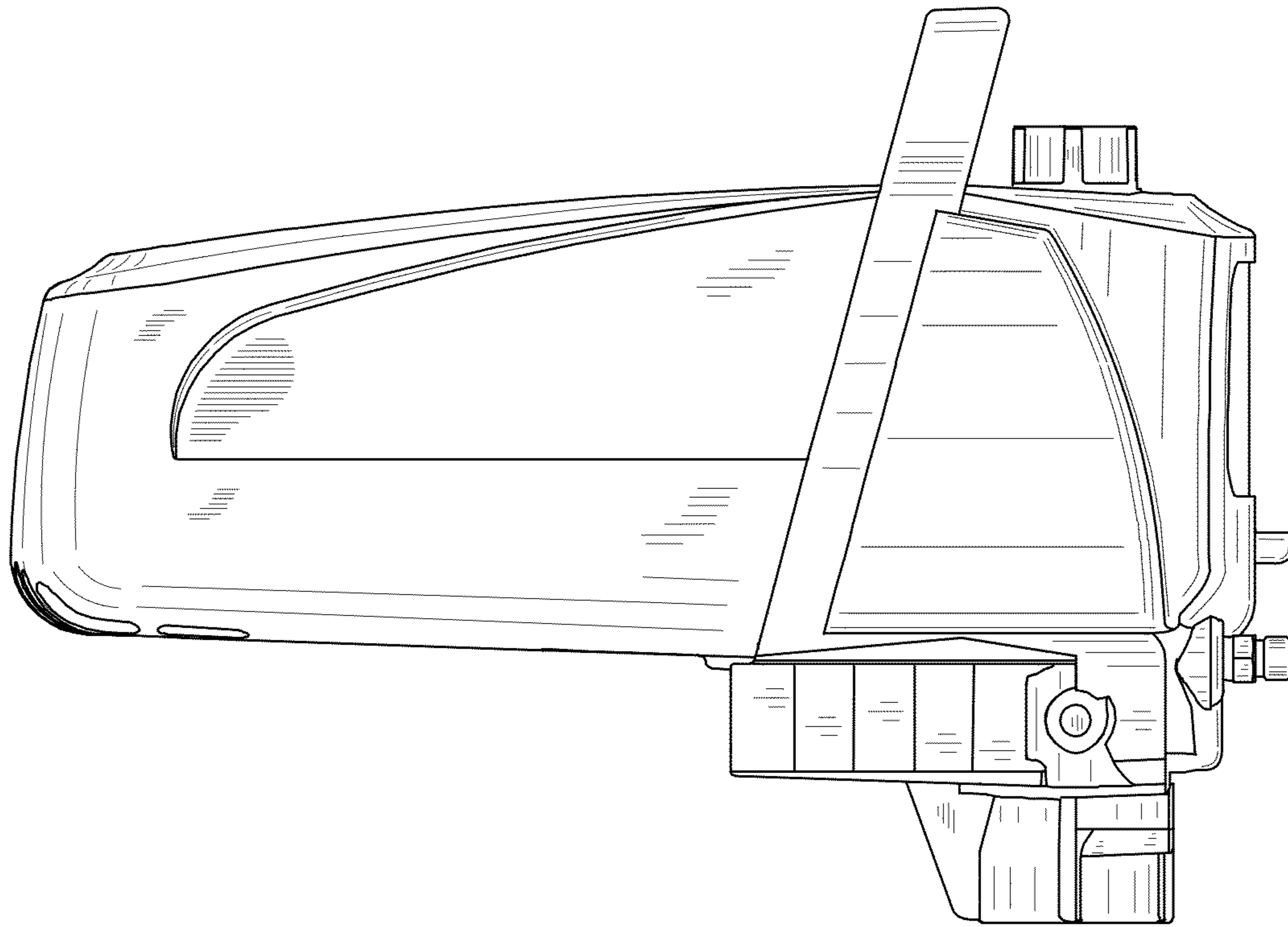


Fig. 11

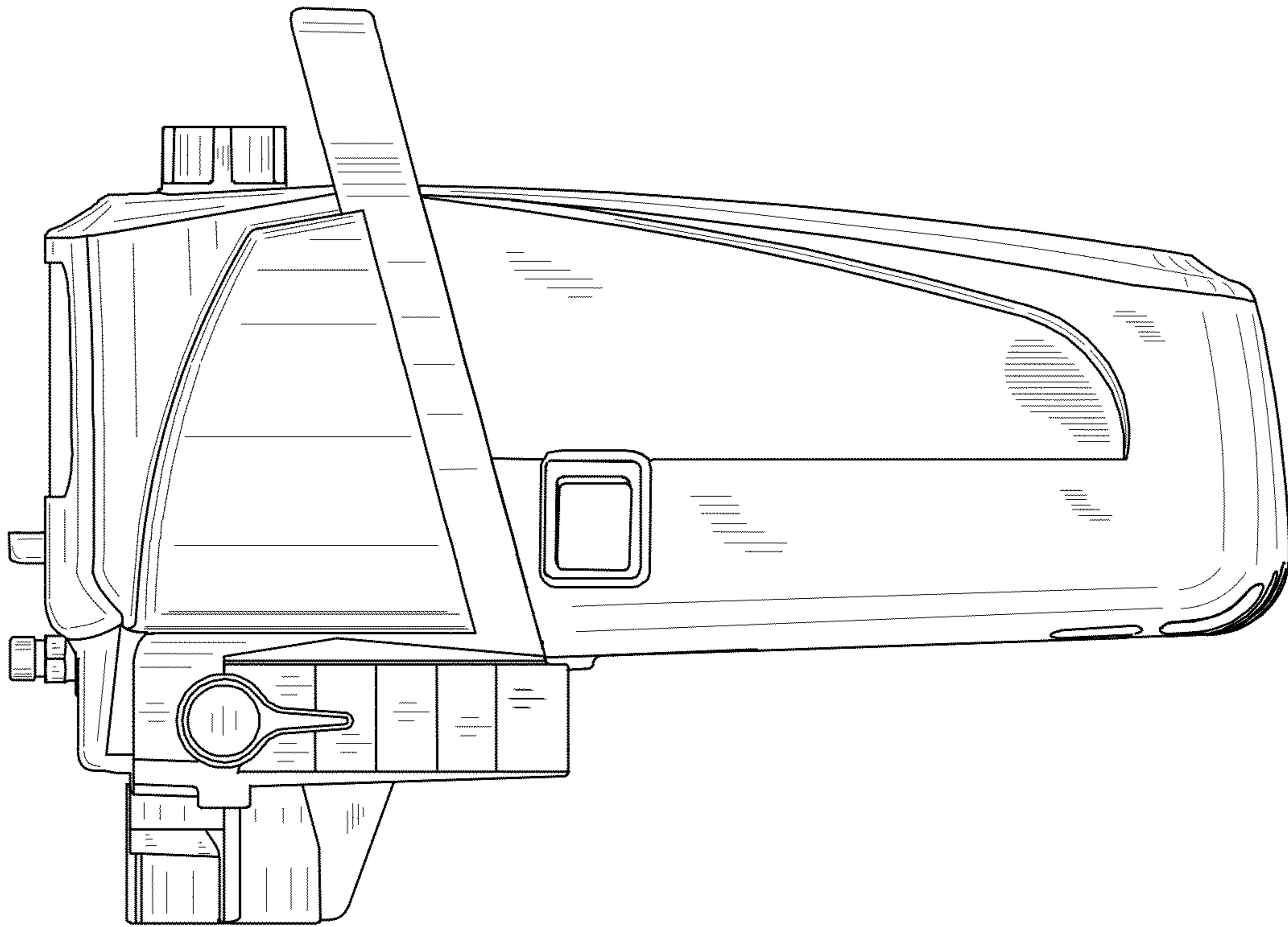


Fig. 12

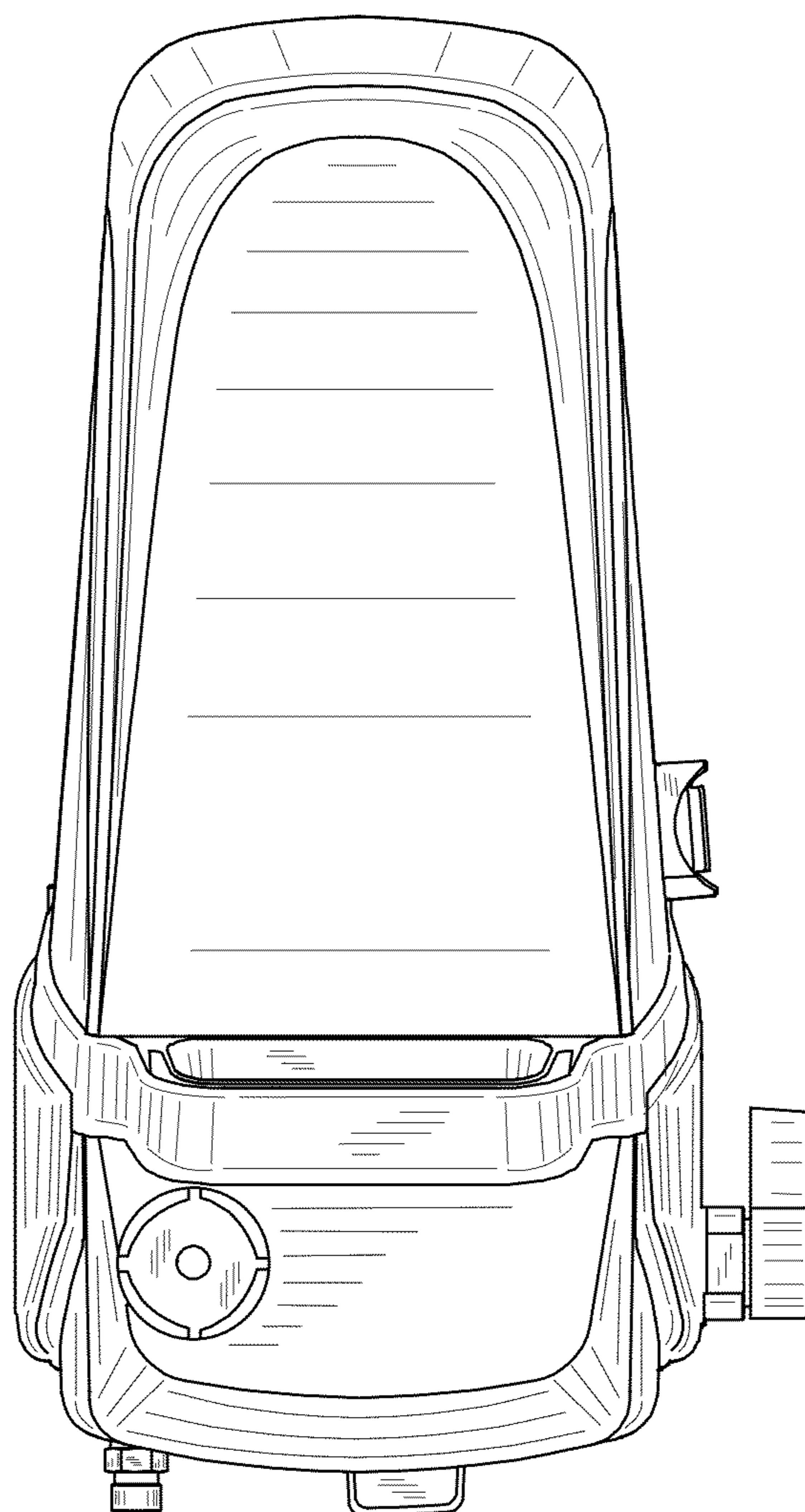


Fig. 13

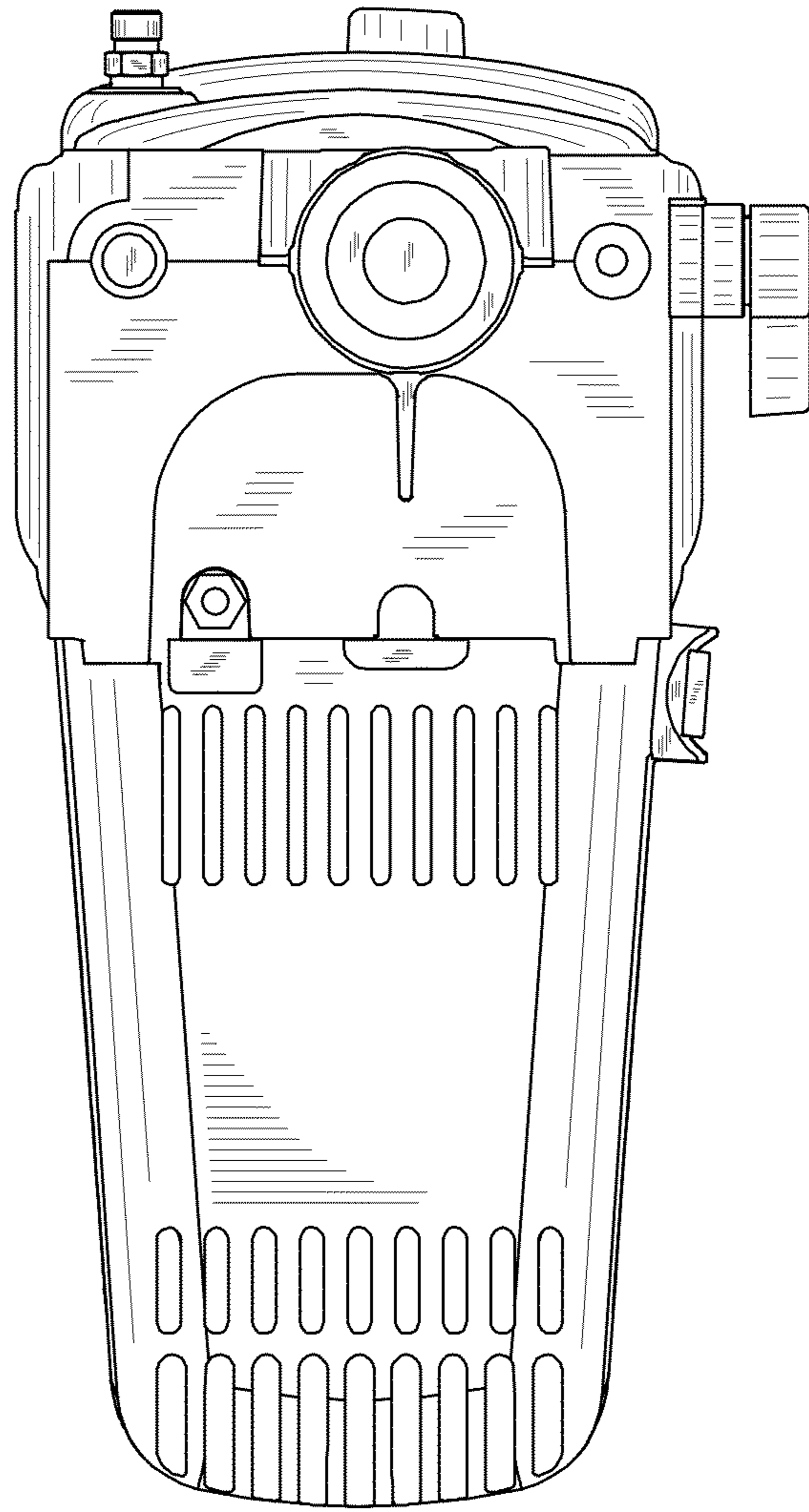


Fig. 14