



US00D727362S

(12) **United States Design Patent**
Platt et al.

(10) **Patent No.:** **US D727,362 S**

(45) **Date of Patent:** **** Apr. 21, 2015**

- (54) **VALVE COVER**
- (71) Applicants: **Richard B. Platt**, Grosse Pointe Farms, MI (US); **R. Booth Platt, Jr.**, Huntington Woods, MI (US); **Rick Anthony Hobbs**, Sterling Heights, MI (US)
- (72) Inventors: **Richard B. Platt**, Grosse Pointe Farms, MI (US); **R. Booth Platt, Jr.**, Huntington Woods, MI (US); **Rick Anthony Hobbs**, Sterling Heights, MI (US)

D418,844 S	1/2000	Occhiuto	
D422,551 S	4/2000	Haines	
6,302,074 B1	10/2001	Bolsover et al.	
6,382,158 B1	5/2002	Durnen	
6,491,014 B1	12/2002	Eickert	
D479,244 S	9/2003	Kern et al.	
D479,721 S	9/2003	Kern et al.	
D503,724 S	4/2005	Grant	
D531,641 S	11/2006	Schultz et al.	
D533,567 S	12/2006	D'Amico	
7,316,215 B1 *	1/2008	Nino et al.	123/90.38
7,343,890 B1	3/2008	Platt	
D574,853 S *	8/2008	Harbert	D15/5
D580,954 S *	11/2008	Platt	D15/5
D605,662 S *	12/2009	Miura et al.	D15/5
7,765,971 B1 *	8/2010	Overacker	123/90.38
D653,676 S *	2/2012	Tomlinson et al.	D15/5
D657,798 S	4/2012	Platt et al.	
D670,360 S	11/2012	Platt	
D709,099 S *	7/2014	Finnie	D15/5

(**) Term: **14 Years**

(21) Appl. No.: **29/491,706**

(22) Filed: **May 23, 2014**

(51) **LOC (10) Cl.** **15-01**

(52) **U.S. Cl.**
USPC **D15/5**

(58) **Field of Classification Search**
USPC D15/1-6; D12/400; 123/635, 195 C, 123/903.38
See application file for complete search history.

* cited by examiner

Primary Examiner — T. Chase Nelson

Assistant Examiner — Ania Aman

(74) *Attorney, Agent, or Firm* — Jerome R. Drouillard

(57) **CLAIM**

The ornamental design for the valve cover, as shown and described.

(56) **References Cited**

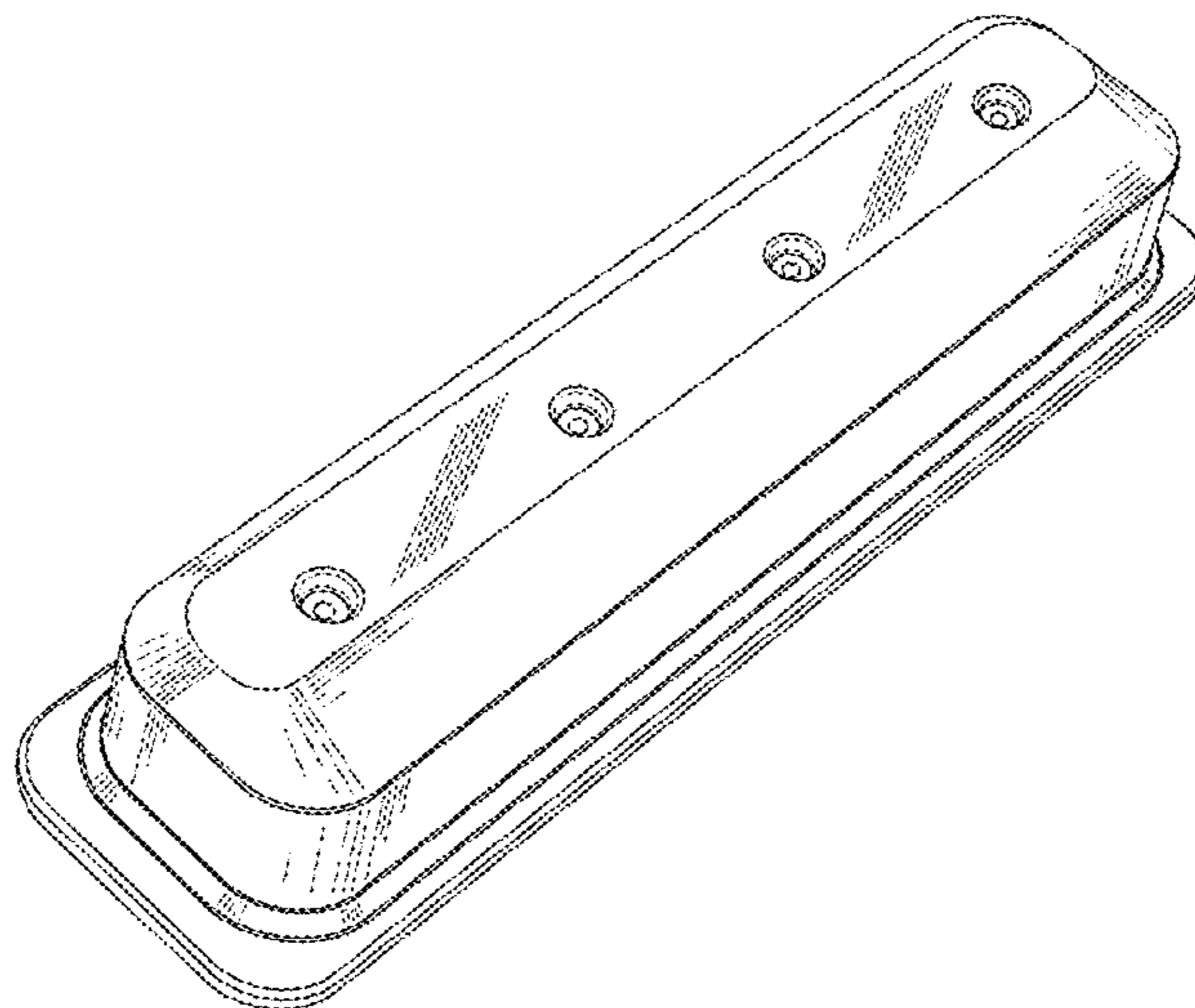
U.S. PATENT DOCUMENTS

D252,878 S	9/1979	Bellino et al.	
4,388,898 A	6/1983	Larson	
4,402,518 A *	9/1983	Locacius	277/592
4,492,189 A	1/1985	Ogawa et al.	
4,538,560 A	9/1985	Alden	
4,788,950 A	12/1988	Finley	
D305,123 S	12/1989	Garrett et al.	
D305,767 S	1/1990	Tauschke	
D306,735 S	3/1990	Finley	
D324,867 S	3/1992	Lyndhurst et al.	
5,367,993 A	11/1994	Tulach et al.	
5,513,604 A *	5/1996	Clement	123/90.38
5,655,489 A	8/1997	Kammerer et al.	

DESCRIPTION

FIG. 1 is a perspective view of the valve cover embodying the new design;
FIG. 2 is an enlarged right elevational view thereof, the left elevational view being a mirror image thereof;
FIG. 3 is a front elevational view thereof;
FIG. 4 is a rear elevational view thereof; and,
FIG. 5 is a top plan view thereof.
The broken line shown in the drawings are for the purpose of illustrating portions of the article that form no part of the claimed design.

1 Claim, 4 Drawing Sheets



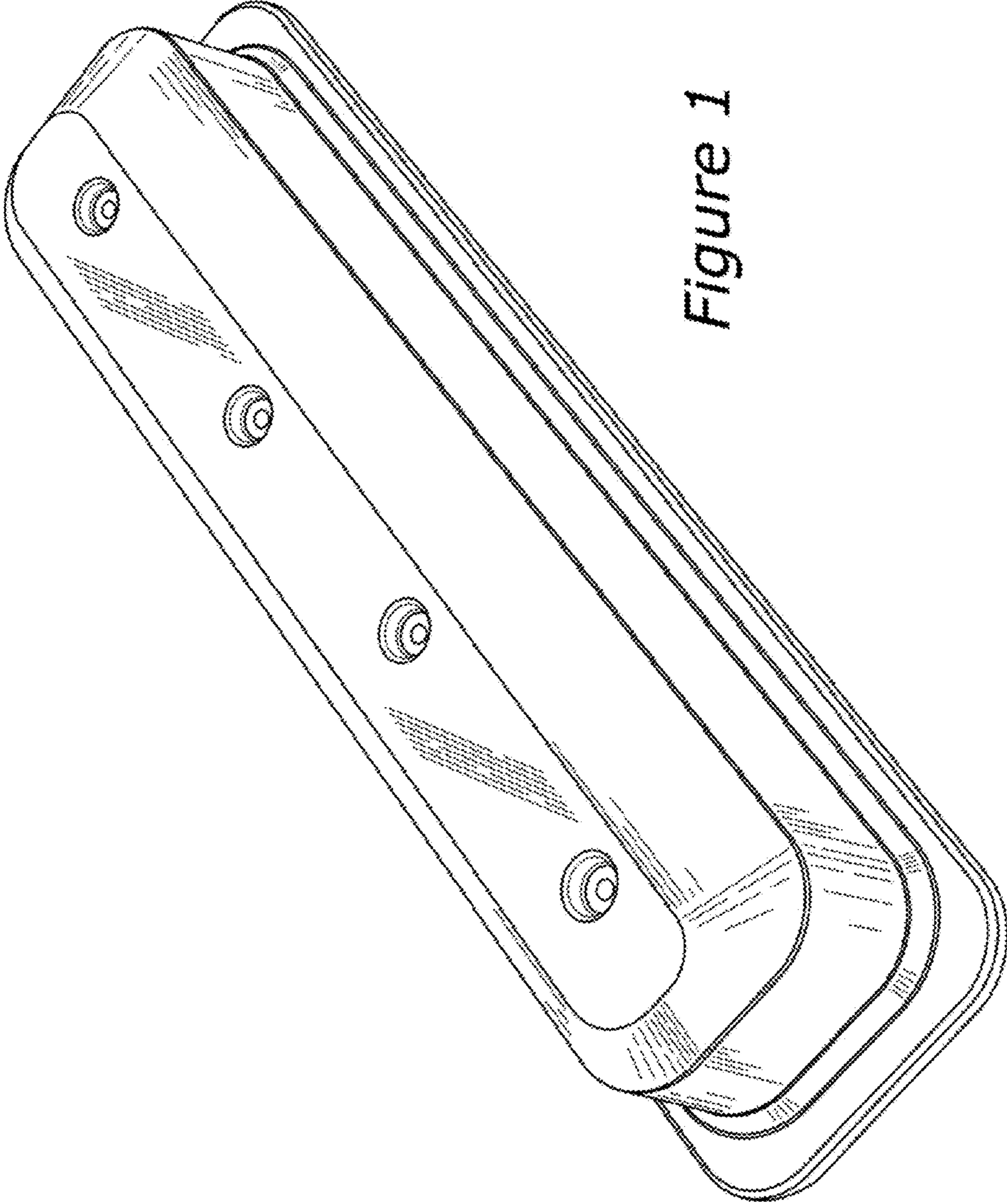


Figure 1

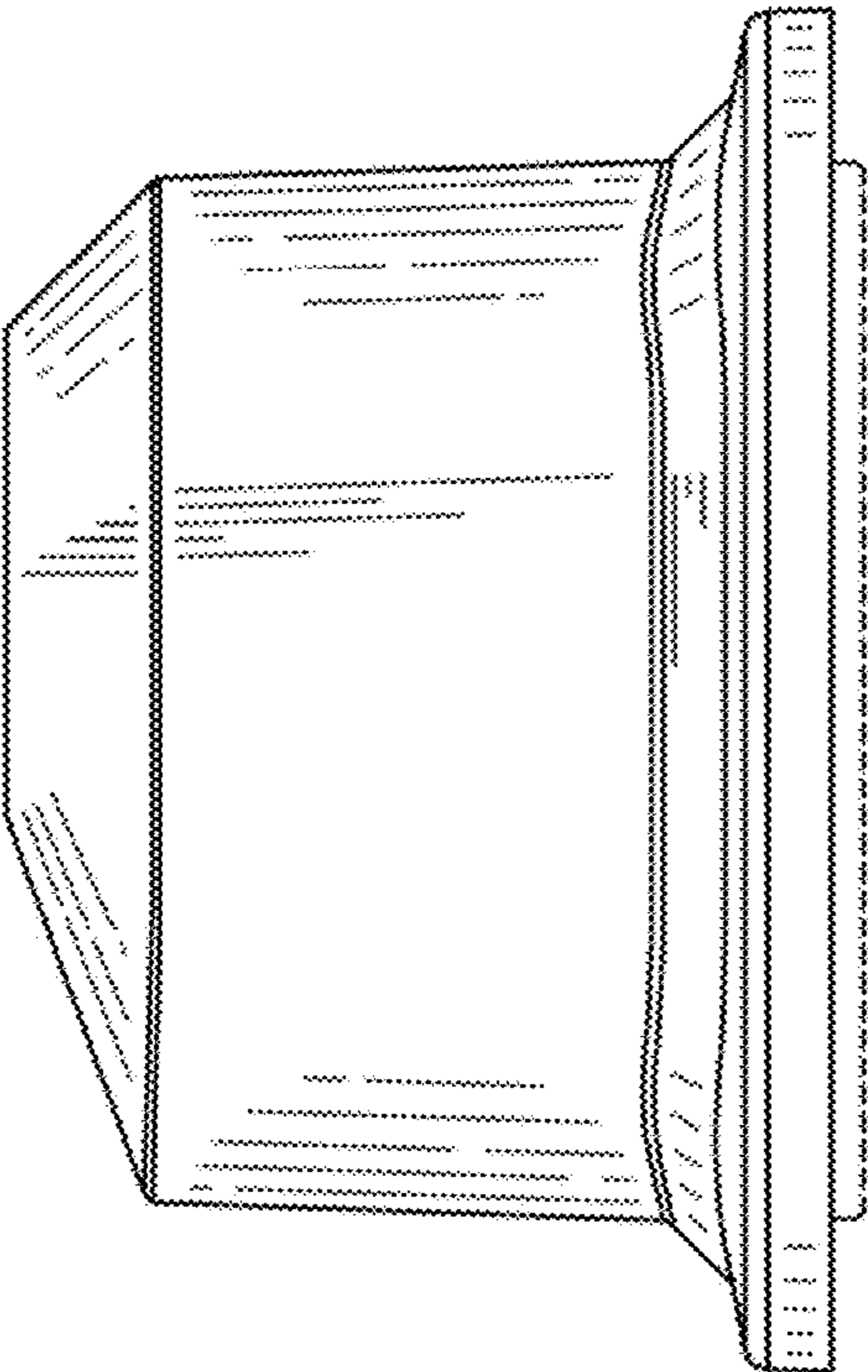


Figure 2

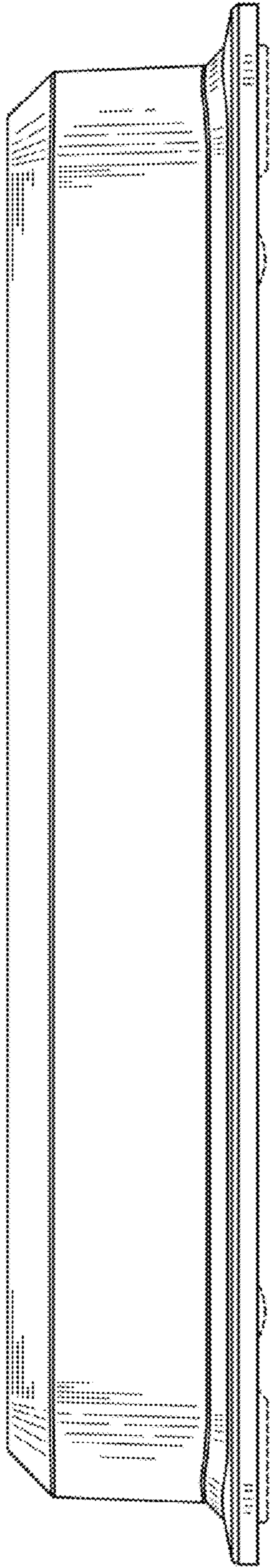


Figure 3

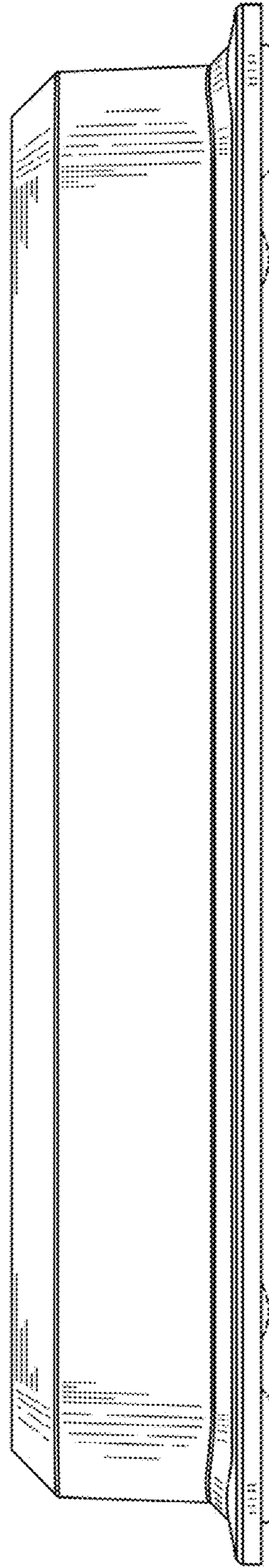


Figure 4

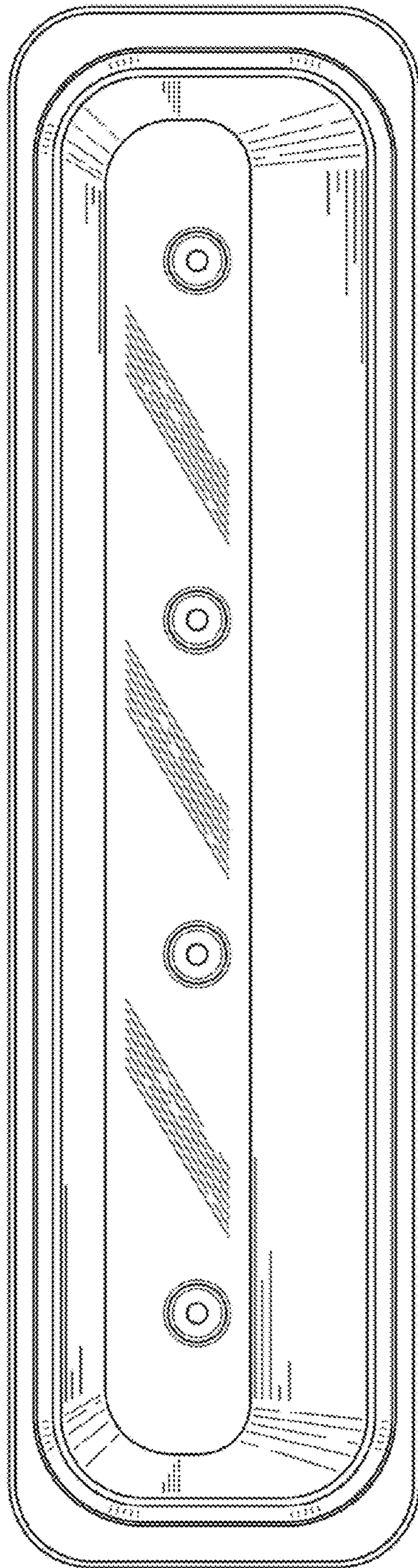


Figure 5