



US00D727361S

(12) **United States Design Patent**
Rabbitt et al.

(10) **Patent No.:** **US D727,361 S**

(45) **Date of Patent:** **** Apr. 21, 2015**

(54) **DOG CLUTCH**

(71) Applicant: **MTD Products Inc.**, Valley City, OH
(US)

(72) Inventors: **Bill Rabbitt**, Cleveland, OH (US); **Jesse Wershing**, Medina, OH (US); **Patrick L. Cucco**, Polk, OH (US)

(73) Assignee: **MTD Products Inc**, Valley City, OH
(US)

(**) Term: **14 Years**

(21) Appl. No.: **29/485,054**

(22) Filed: **Mar. 14, 2014**

(51) **LOC (10) Cl.** **15-01**

(52) **U.S. Cl.**
USPC **D15/5**

(58) **Field of Classification Search**
USPC D15/1-5, 148, 149; 192/55.61, 108,
192/69.83, 69.7, 93 A, 45.019, 109 R, 46,
192/70.29; D12/180
See application file for complete search history.

7,891,475	B2 *	2/2011	Zhu et al.	192/54.5
8,617,026	B2 *	12/2013	Raszkowski	475/343
8,733,524	B2 *	5/2014	Chen	192/64
2003/0121746	A1 *	7/2003	Ai	192/69.61
2005/0263368	A1 *	12/2005	Ooka	192/108
2007/0066439	A1 *	3/2007	Capito	475/249
2007/0240956	A1 *	10/2007	Minami	192/3.63
2008/0182693	A1 *	7/2008	Holmes	475/5
2010/0140042	A1 *	6/2010	Elliott	192/69.7
2011/0094846	A1 *	4/2011	Wu	192/64
2011/0198188	A1 *	8/2011	Kuwashima	192/108
2012/0247241	A1 *	10/2012	Takahashi et al.	74/329
2012/0318629	A1 *	12/2012	Lyman	192/69.7
2014/0214293	A1 *	7/2014	Mori et al.	701/60
2014/0231210	A1 *	8/2014	Spensberger et al.	192/108
2014/0291102	A1 *	10/2014	Iwasaki et al.	192/69.8

* cited by examiner

Primary Examiner — T. Chase Nelson

Assistant Examiner — Ania Aman

(74) *Attorney, Agent, or Firm* — Wegman, Hessler & Vanderburg

(57) **CLAIM**

We claim the ornamental design for a dog clutch, as shown and described.

DESCRIPTION

FIG. 1 is a top perspective view of a dog clutch of the present invention;

FIG. 2 is top view thereof;

FIG. 3 is a bottom view thereof; and,

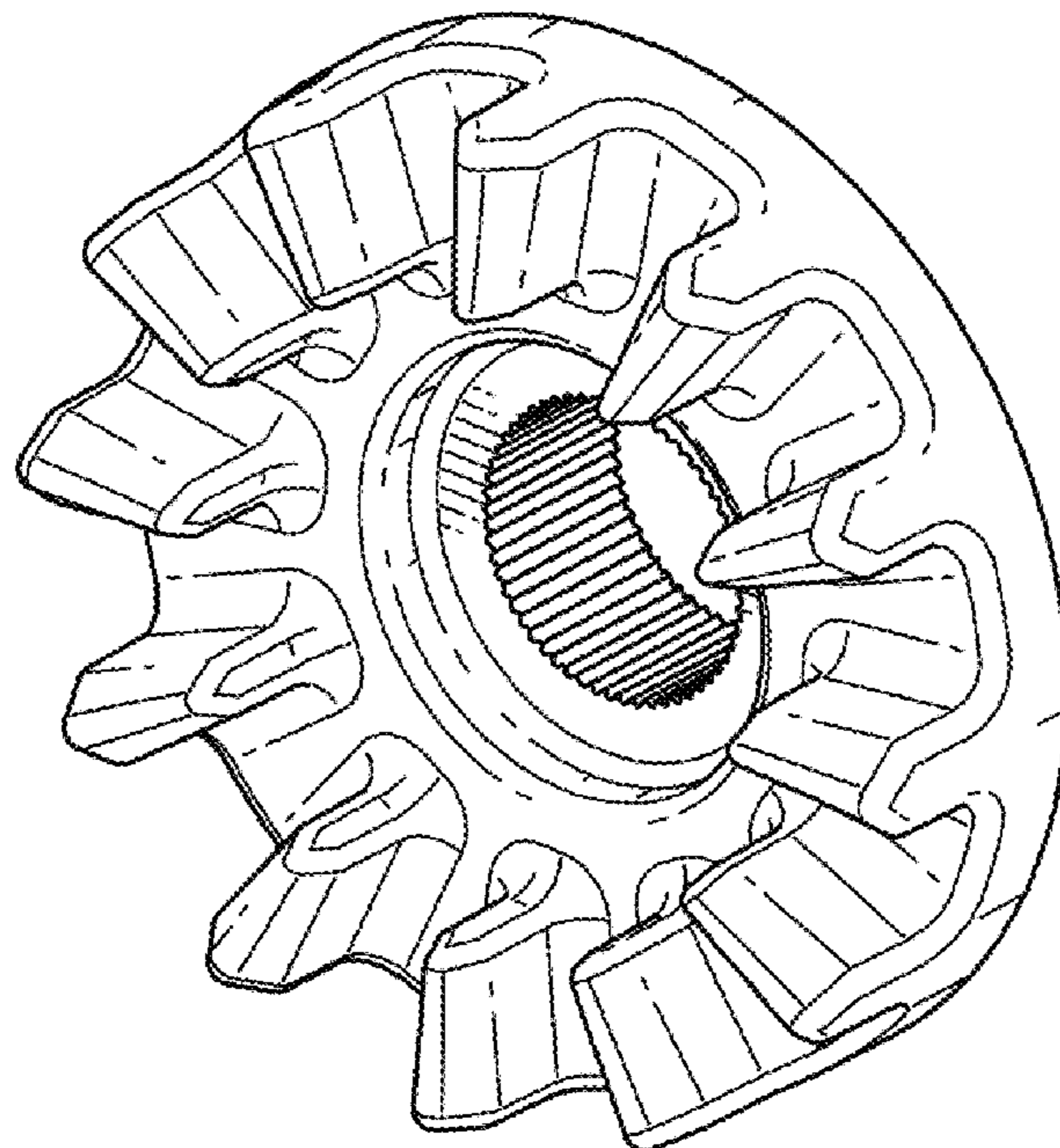
FIG. 4 is a first side view thereof, wherein the second, third, and fourth side views are mirror images thereof.

1 Claim, 1 Drawing Sheet

(56) **References Cited**

U.S. PATENT DOCUMENTS

3,212,610	A *	10/1965	Hosey et al.	192/33 R
3,314,257	A *	4/1967	Fosler et al.	68/23.3
3,651,907	A *	3/1972	Myer, Sr.	192/43
5,059,161	A *	10/1991	Bredt	475/269
5,486,077	A *	1/1996	Nutting	410/69
6,206,162	B1 *	3/2001	Stones et al.	192/69.7
6,615,962	B2 *	9/2003	Back et al.	192/3.28



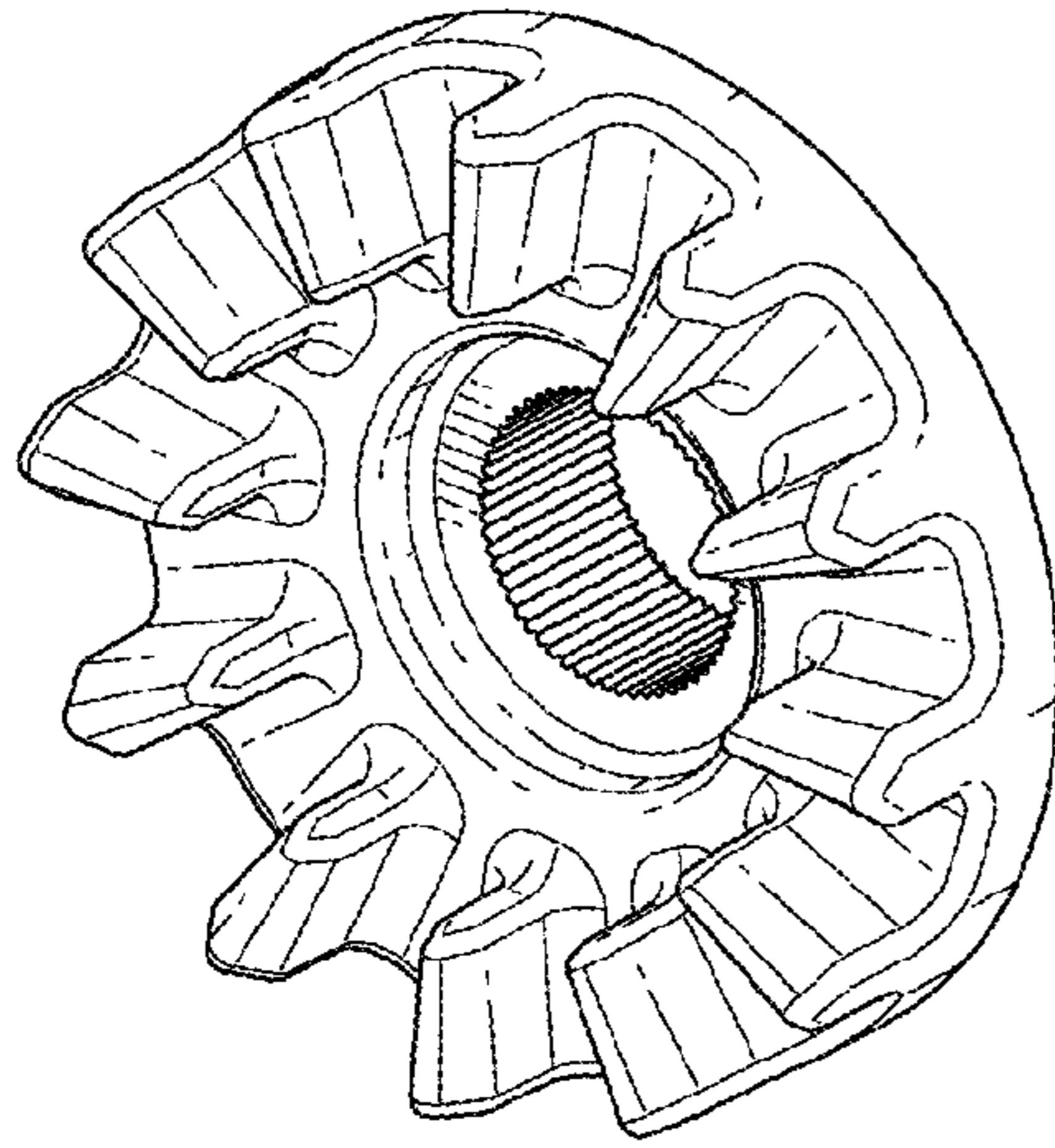


FIG. 1

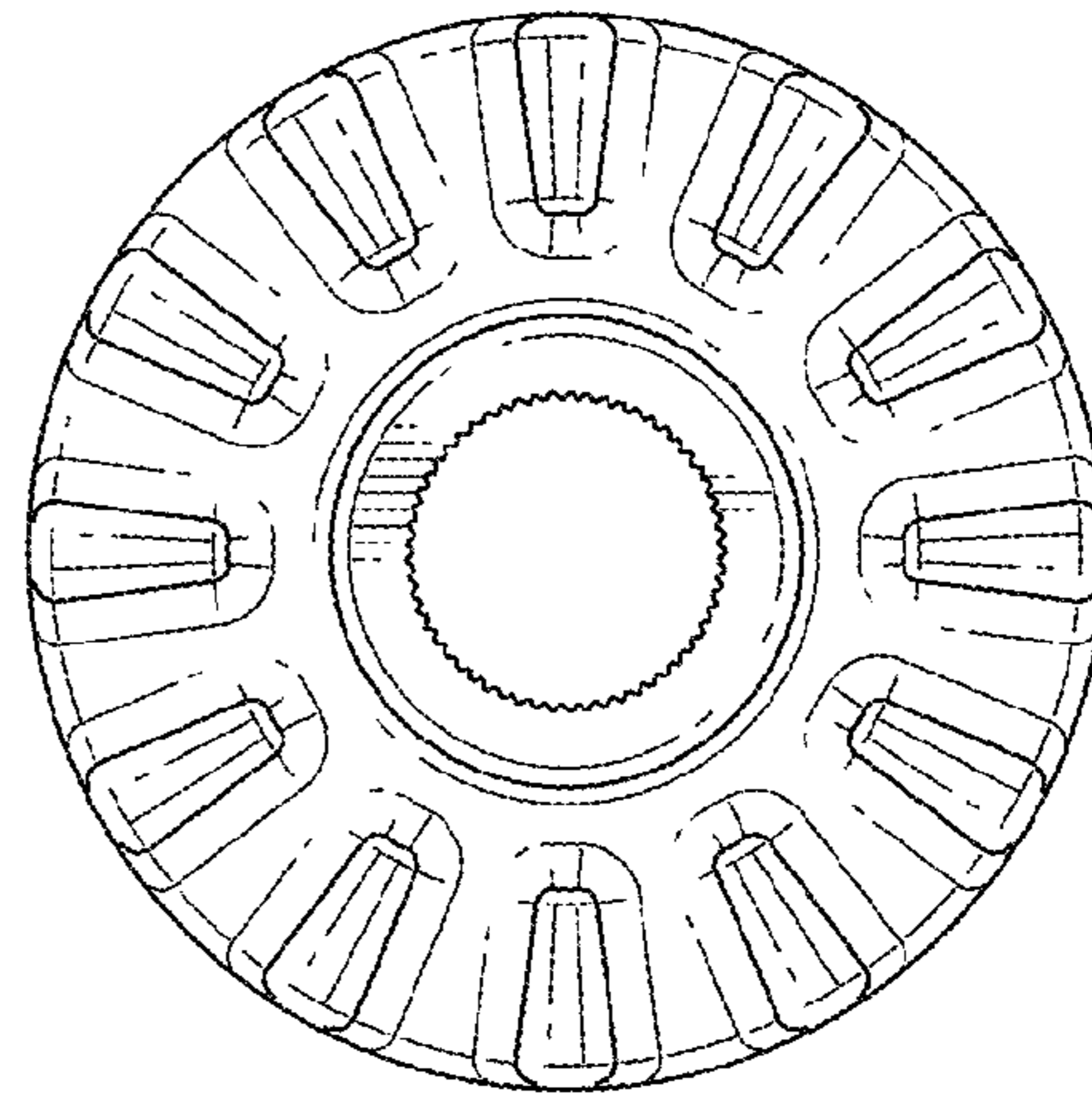


FIG. 2

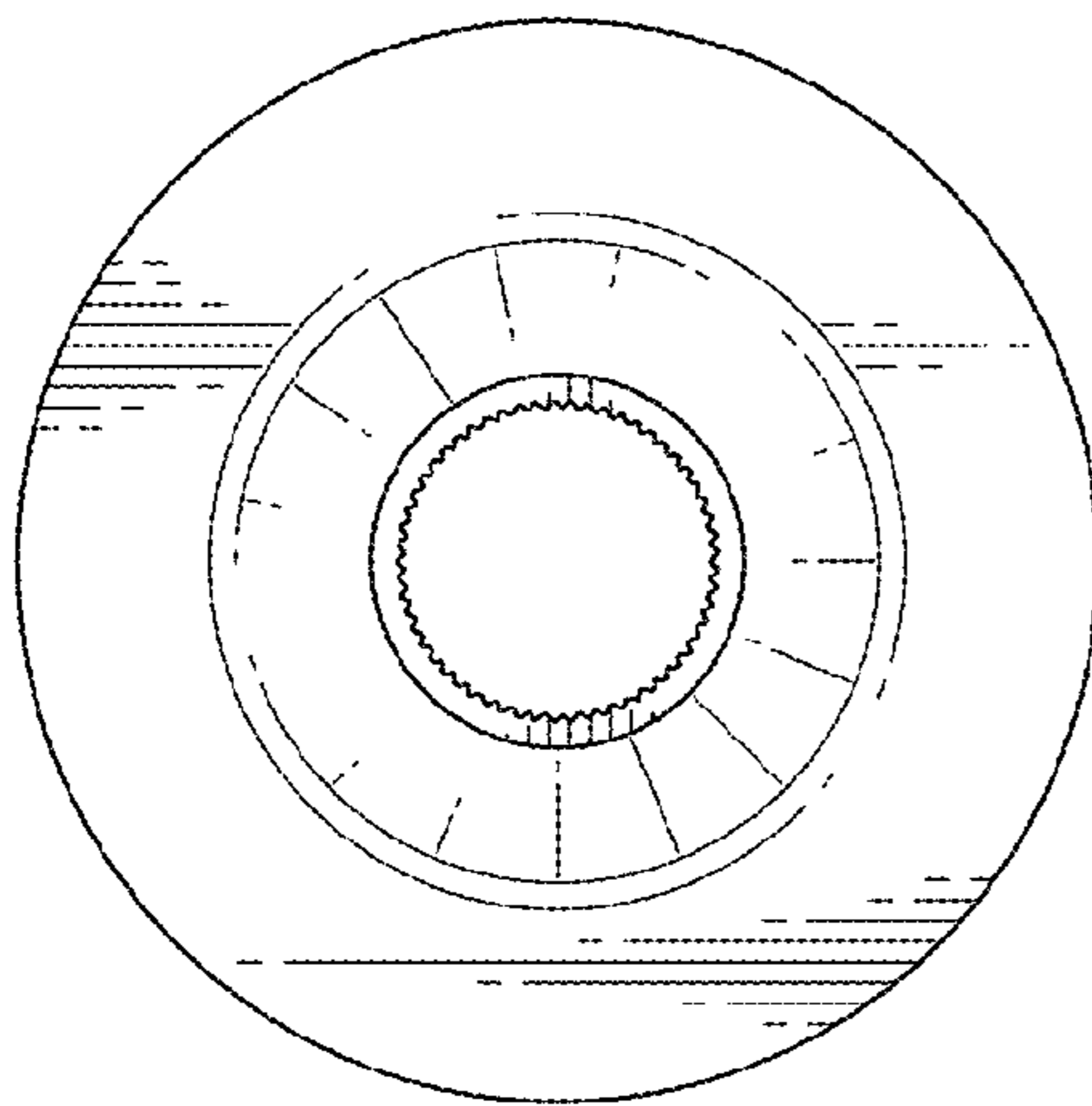


FIG. 3

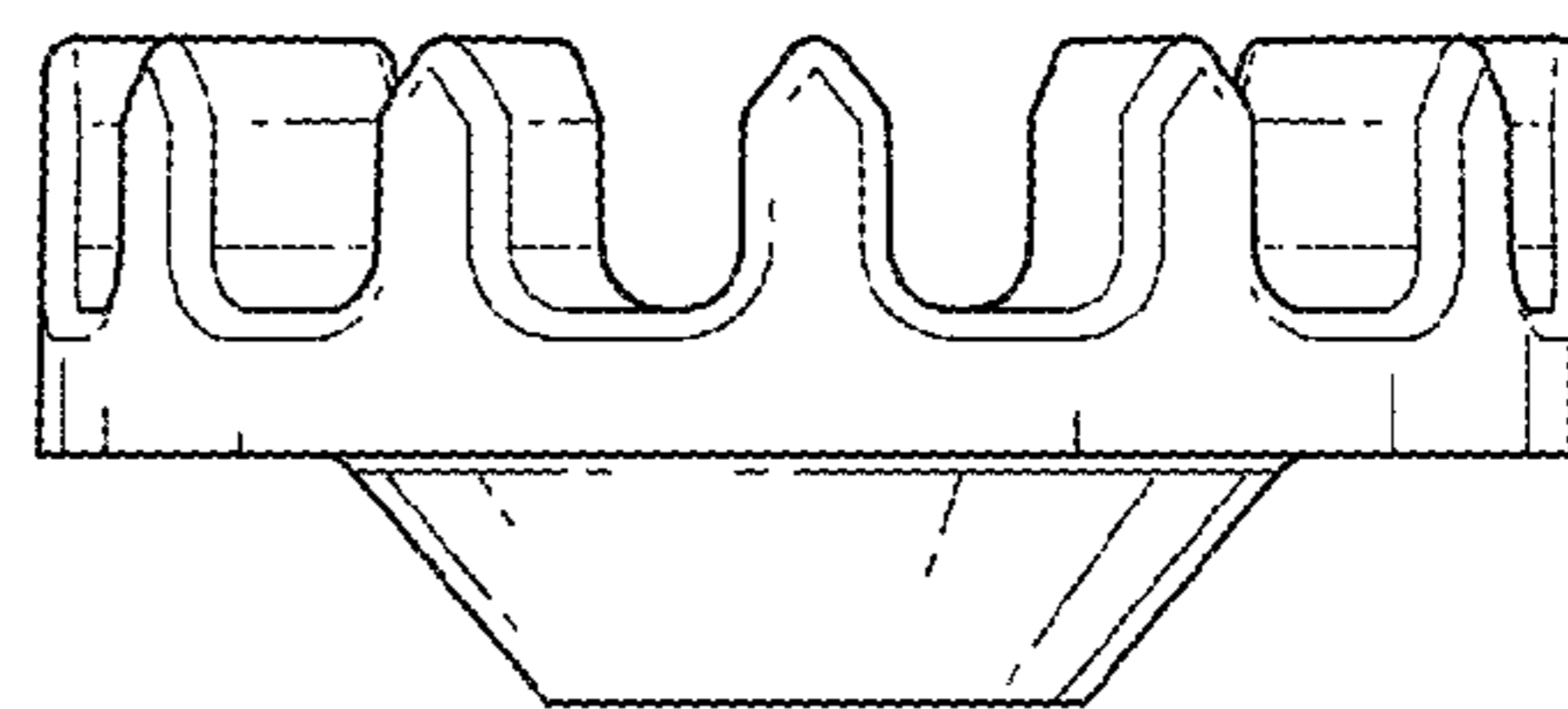


FIG. 4