



US00D727360S

(12) **United States Design Patent**
Peng et al.

(10) **Patent No.:** **US D727,360 S**

(45) **Date of Patent:** **** Apr. 21, 2015**

(54) **MEDIA PLAYER**

(56) **References Cited**

(71) Applicant: **Western Digital Technologies, Inc.**,
Irvine, CA (US)

U.S. PATENT DOCUMENTS

(72) Inventors: **Steven T. Peng**, Irvine, CA (US);
Charles R. Lewis, Jr., Palo Alto, CA
(US)

5,914,707	A *	6/1999	Kono	345/173
6,821,304	B2 *	11/2004	Kurahashi et al.	8/478
6,908,387	B2 *	6/2005	Hedrick et al.	463/31
6,955,606	B2 *	10/2005	Taho et al.	463/43
D526,648	S	8/2006	Andre et al.		
D558,790	S *	1/2008	Yu et al.	D14/496
D575,801	S *	8/2008	Kusano et al.	D14/496
D594,875	S *	6/2009	Sheba et al.	D14/496
D601,583	S *	10/2009	Andre et al.	D14/496
D620,953	S *	8/2010	Andre et al.	D14/496
D650,394	S *	12/2011	Seoc et al.	D14/496
D676,005	S	2/2013	Wood et al.		
D685,392	S *	7/2013	Chamness et al.	D14/496
D687,068	S *	7/2013	Paradise et al.	D14/496

(73) Assignee: **Western Digital Technologies, Inc.**,
Irvine, CA (US)

(**) Term: **14 Years**

* cited by examiner

(21) Appl. No.: **29/467,896**

Primary Examiner — Prabhakar Deshmukh

(22) Filed: **Sep. 24, 2013**

(57) **CLAIM**

(51) **LOC (10) Cl.** **14-03**

The ornamental design for a media player, as shown and described.

(52) **U.S. Cl.**

DESCRIPTION

USPC **D14/496**; D14/203.1

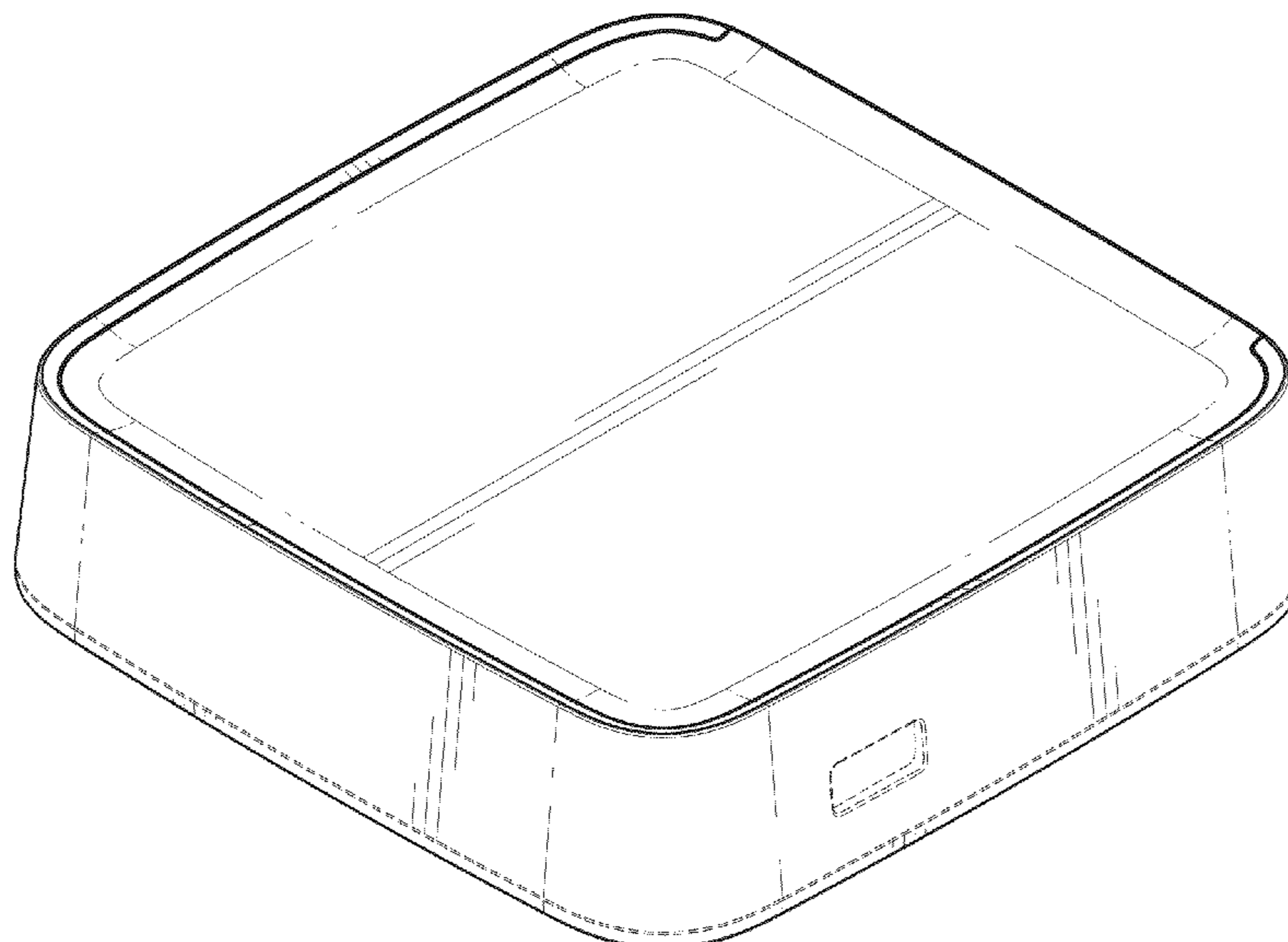
(58) **Field of Classification Search**

USPC D14/496, 401, 435, 474, 483, 217, 137,
D14/138, 160, 168, 356, 203.1–203.8, 507;
345/156, 169, 173–179, 905;
715/727–729, 864; 710/1, 5, 8; 713/1,
713/600; 455/1.1, 1.7, 73, 344–347, 93, 95,
455/3.01–3.06, 550.1, 573.1; 370/342–344;
369/1, 2, 6–12; 463/43–47; 273/148 B

FIG. 1 is a top, front and right side perspective view of a media player showing our new design;
FIG. 2 is a front elevational view thereof;
FIG. 3 is a rear elevational view thereof;
FIG. 4 is a right side elevational view thereof;
FIG. 5 is a left side elevational view thereof;
FIG. 6 is a top plan view thereof; and,
FIG. 7 is a bottom plan view thereof.
The broken lines illustrate unclaimed portions and form no part of the claimed design.

See application file for complete search history.

1 Claim, 5 Drawing Sheets



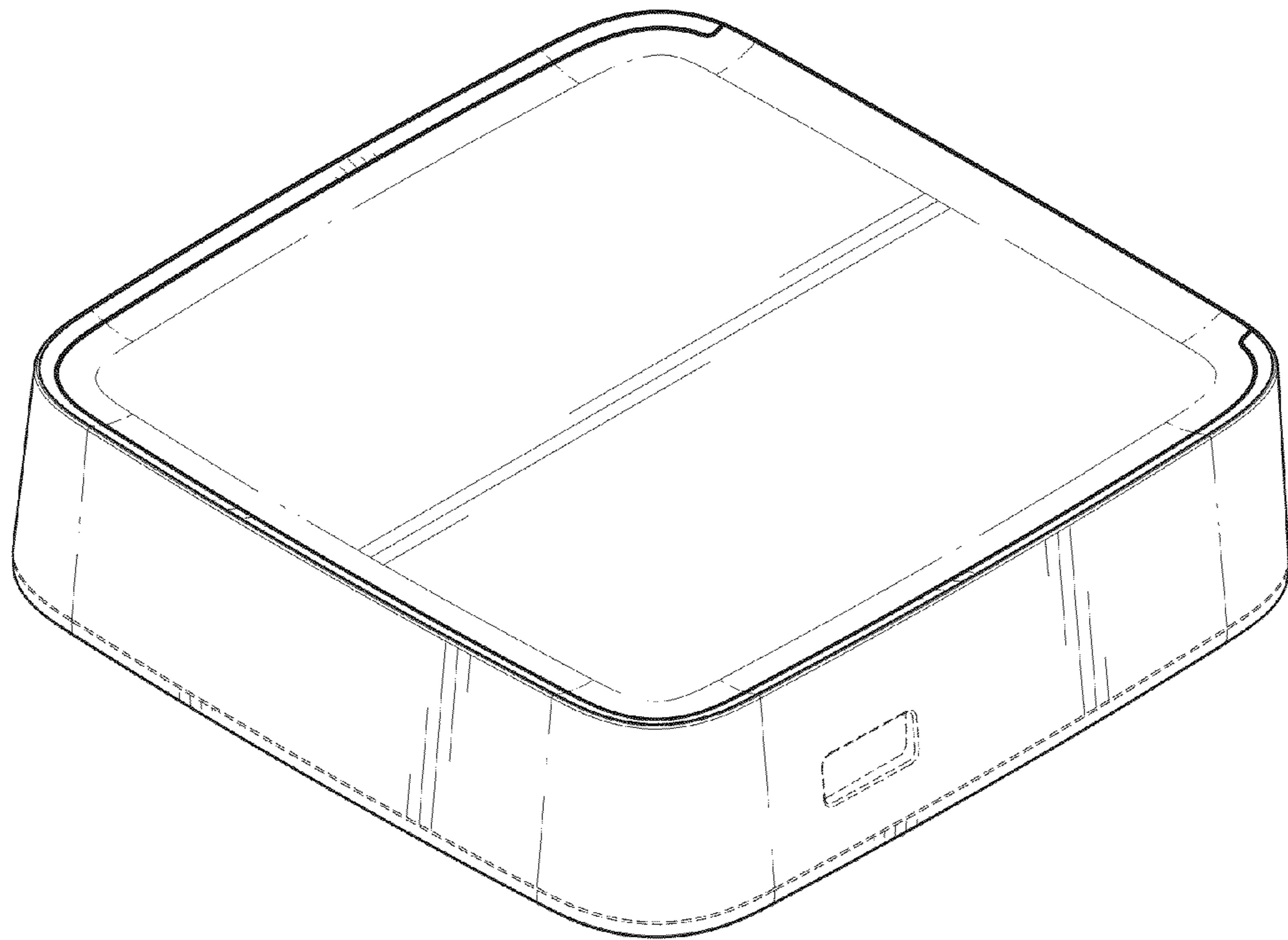


FIG. 1

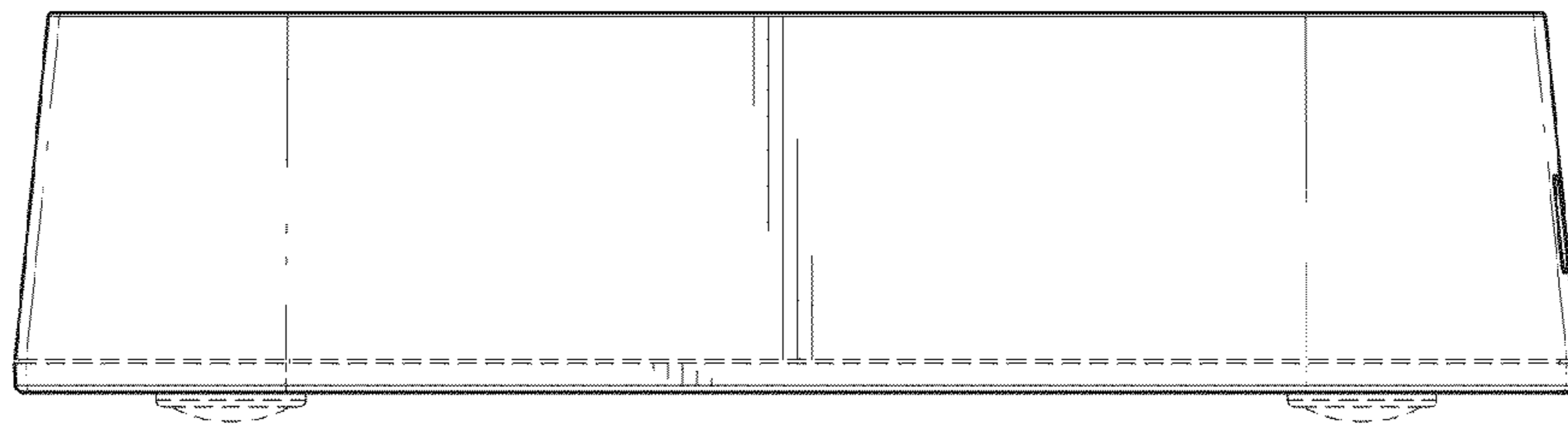


FIG. 2

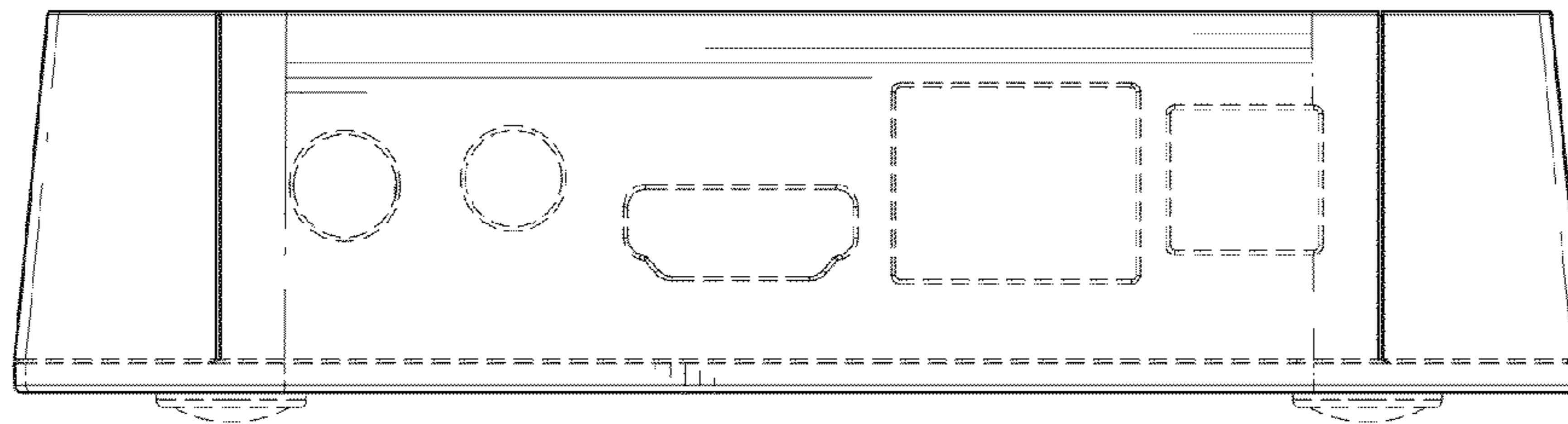


FIG. 3

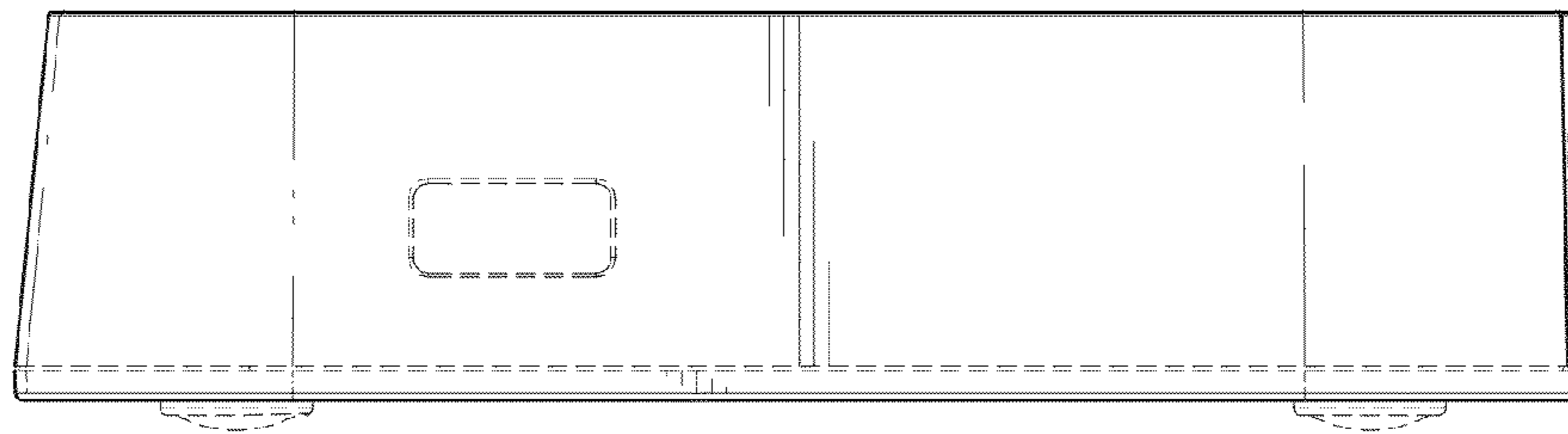


FIG. 4

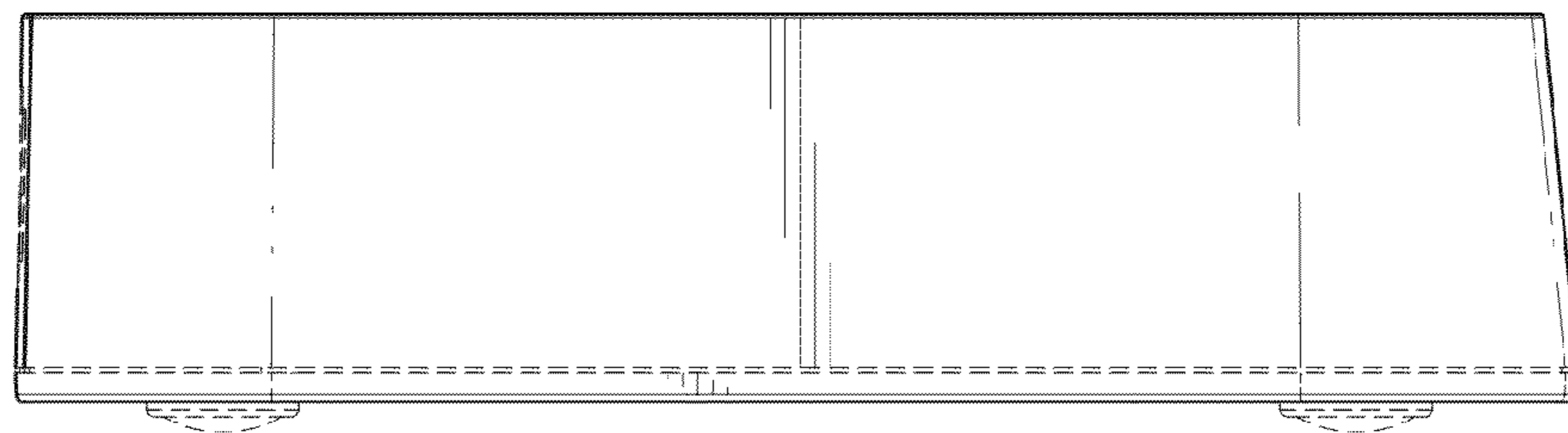


FIG. 5

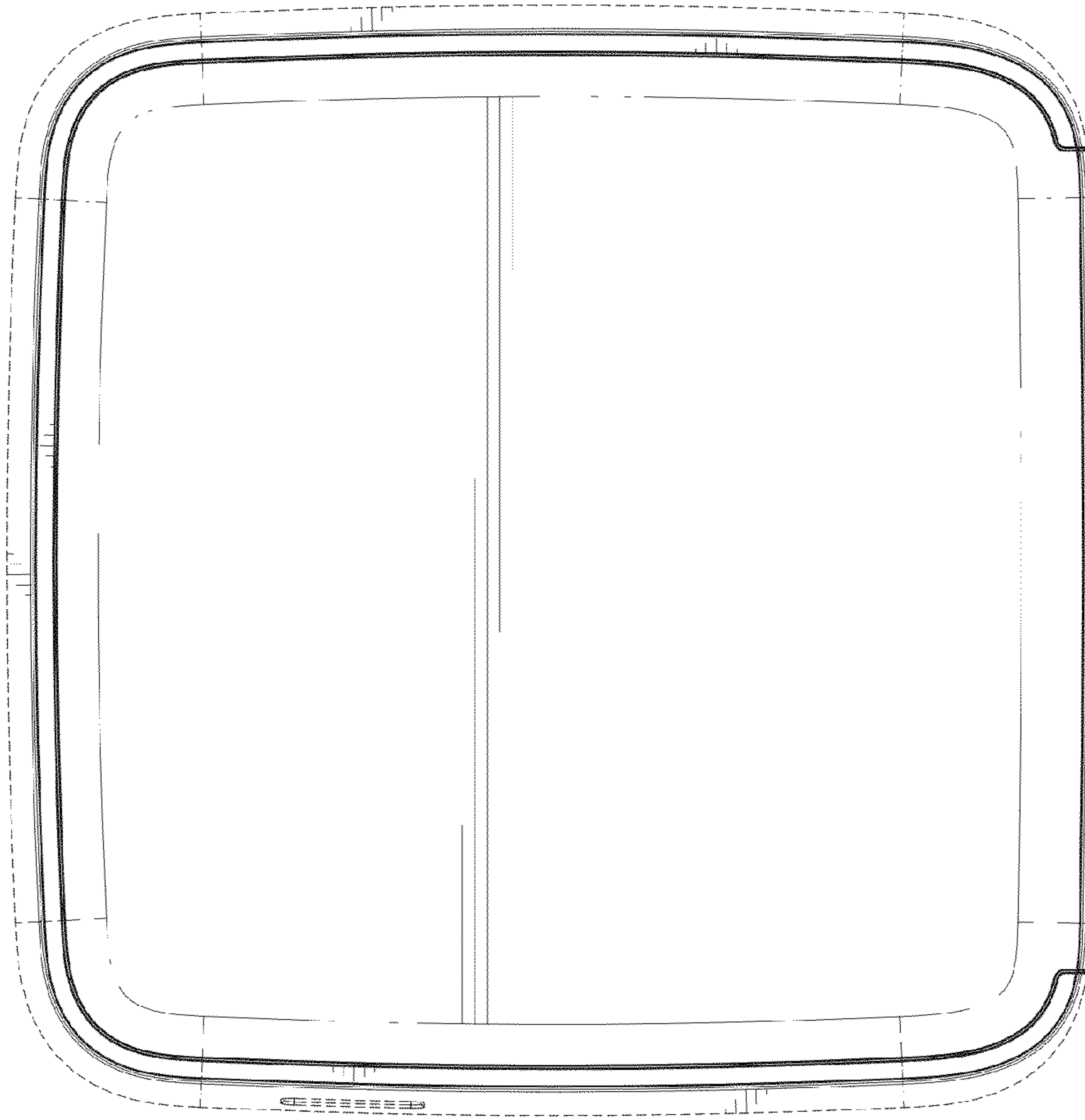


FIG. 6

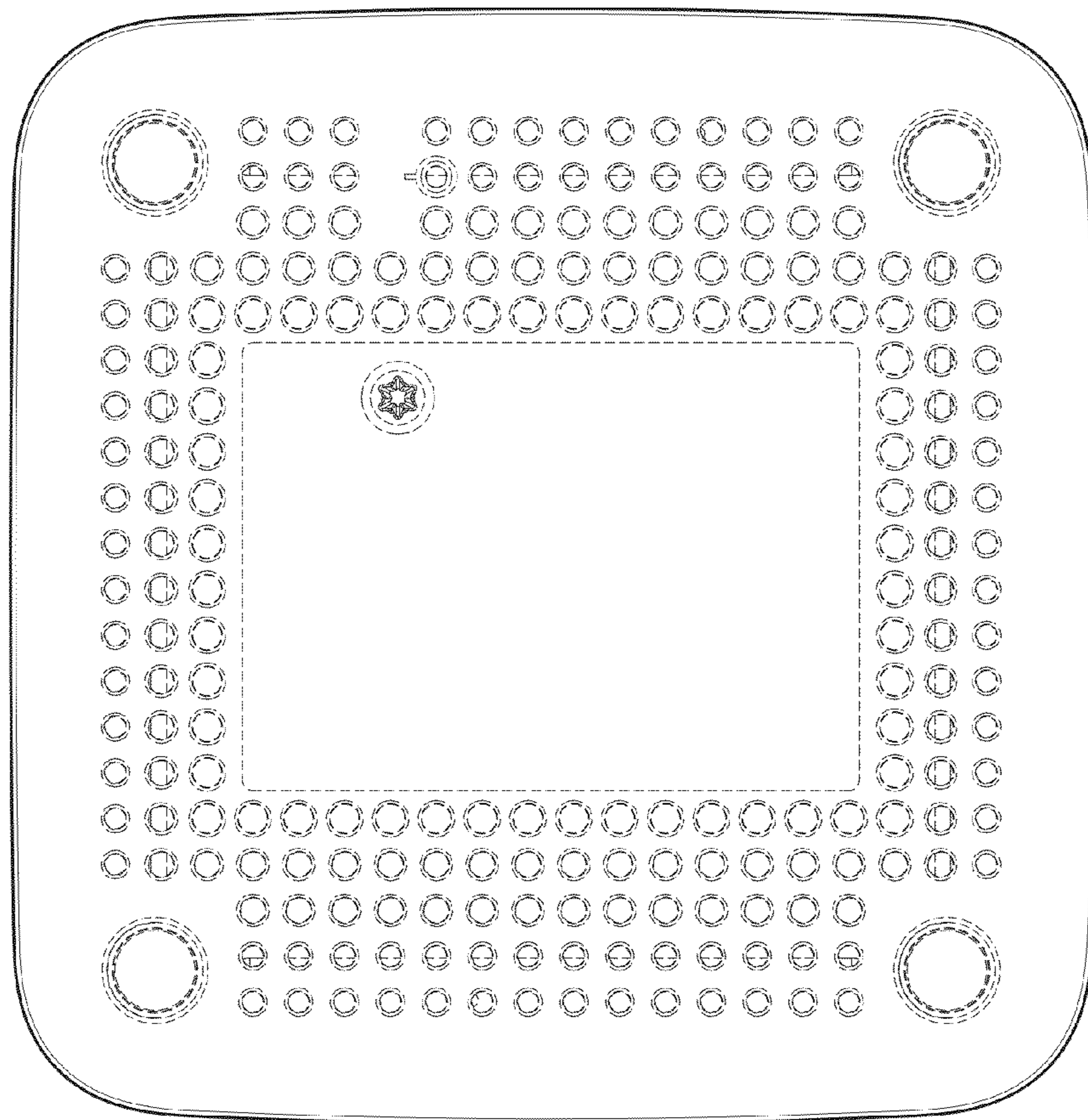


FIG. 7