



US00D727333S

(12) **United States Design Patent**  
**Shih et al.**

(10) **Patent No.:** **US D727,333 S**  
(45) **Date of Patent:** **\*\* Apr. 21, 2015**

- (54) **HOLDER FOR PORTABLE ELECTRONIC DEVICE**
- (71) Applicant: **HTC Corporation**, Taoyuan, Taoyuan County (TW)
- (72) Inventors: **Wen-Yu Shih**, Taoyuan (TW);  
**Yien-Chun Kuo**, Taoyuan (TW);  
**Yen-Hung Lin**, Taoyuan (TW)
- (73) Assignee: **HTC Corporation**, Taoyuan (TW)
- (\*\*) Term: **14 Years**
- (21) Appl. No.: **29/501,003**
- (22) Filed: **Aug. 29, 2014**
- (51) **LOC (10) Cl.** ..... **08-07**
- (52) **U.S. Cl.**  
USPC ..... **D14/447**
- (58) **Field of Classification Search**  
CPC ..... F16M 2200/00; F16M 13/00; A45C 2011/003; A45C 2011/002; A47B 2023/049; A47B 2097/005; A47B 2097/006; A47B 21/04  
USPC ..... D14/447, 451, 452, 439, 440, 432, 457, D14/460, 461, 217, 239, 251, 253; D6/406.3, 406.4, 406.5, 406.6; 248/460, 917-924, 150, 176.1, 177.1, 248/181.1, 188.7; 361/679.02, 679.06, 361/679.07, 679.09, 679.21, 679.22, 361/679.26, 679.27, 679.3, 679.55, 679.56; D8/363, 373, 380  
See application file for complete search history.

- D704,713 S \* 5/2014 Liniger ..... D14/447
- D708,187 S \* 7/2014 Xiang ..... D14/447
- D709,074 S \* 7/2014 Tsui et al. .... D14/447
- D709,896 S \* 7/2014 McKinstry et al. .... D14/447
- D713,398 S \* 9/2014 Alesi et al. .... D14/253
- D718,298 S \* 11/2014 Aspinall et al. .... D14/253
- 2011/0255219 A1 \* 10/2011 Ou ..... 361/679.01

\* cited by examiner

*Primary Examiner* — Angela J Lee

(74) *Attorney, Agent, or Firm* — Birch, Stewart, Kolasch & Birch, LLP

(57) **CLAIM**

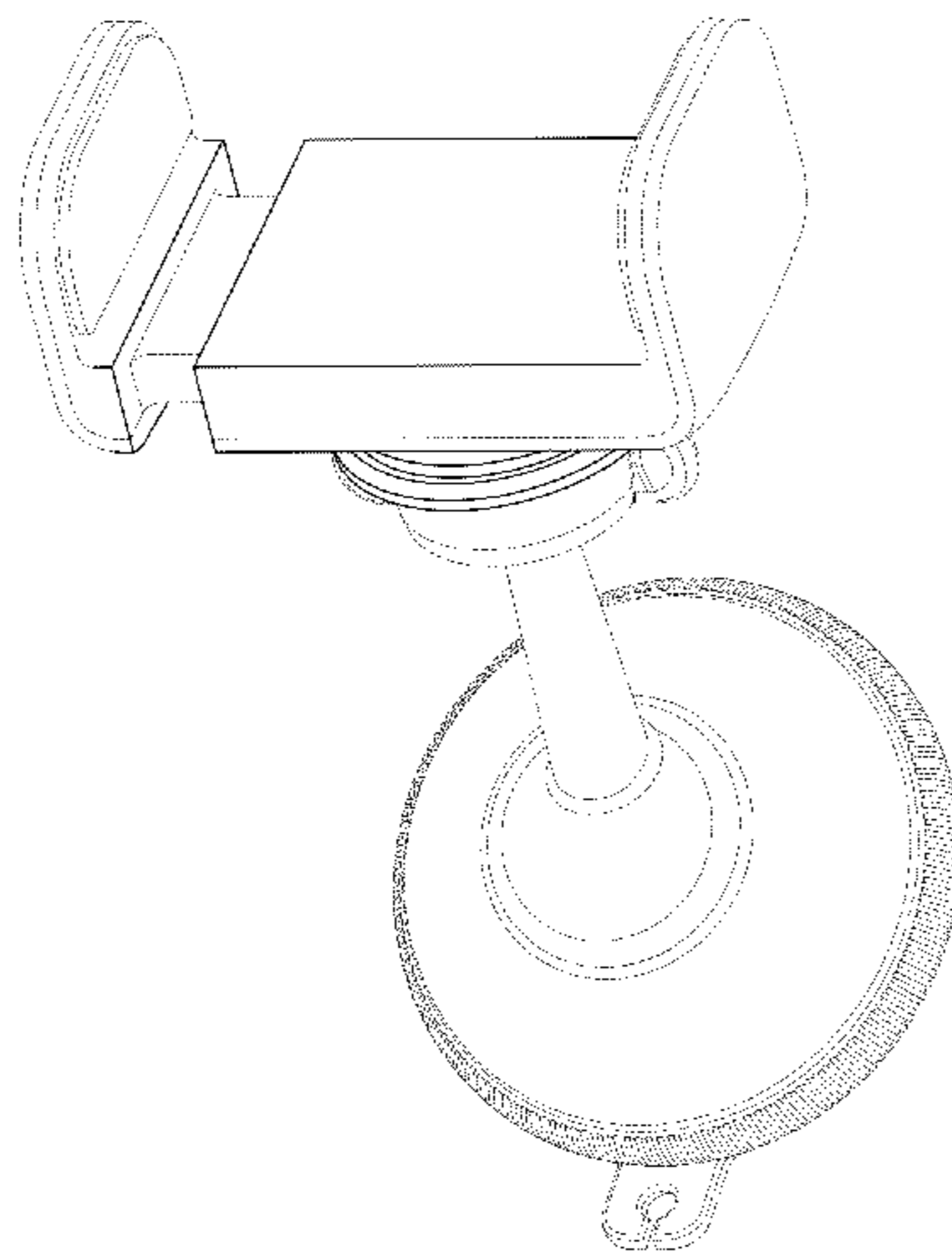
The ornamental design for holder for portable electronic device, as shown and described.

**DESCRIPTION**

FIG. 1 is a front perspective view of a first embodiment of a holder for portable electronic device in accordance with our new design;  
 FIG. 2 is a front view thereof;  
 FIG. 3 is a rear view thereof;  
 FIG. 4 is a left side view thereof;  
 FIG. 5 is a right side view thereof;  
 FIG. 6 is a top plan view thereof;  
 FIG. 7 is a bottom plan view thereof;  
 FIG. 8 is a rear perspective view thereof;  
 FIG. 9 is a front perspective view of a second embodiment of a holder for portable electronic device in accordance with our new design;  
 FIG. 10 is a front view thereof;  
 FIG. 11 is a rear view thereof;  
 FIG. 12 is a left side view thereof;  
 FIG. 13 is a right side view thereof;  
 FIG. 14 is a top plan view thereof;  
 FIG. 15 is a bottom plan view thereof; and,  
 FIG. 16 is a rear perspective view thereof.  
 The broken lines throughout the views form no part of the claimed design.

**1 Claim, 16 Drawing Sheets**

- (56) **References Cited**  
U.S. PATENT DOCUMENTS  
D549,709 S \* 8/2007 Richter ..... D14/447  
D567,810 S \* 4/2008 Yeh ..... D14/253  
D603,322 S \* 11/2009 Nicieja ..... D12/415  
D645,462 S \* 9/2011 Choi ..... D14/253  
D654,493 S \* 2/2012 Baumann et al. .... D14/253  
D671,110 S \* 11/2012 Choi ..... D14/253



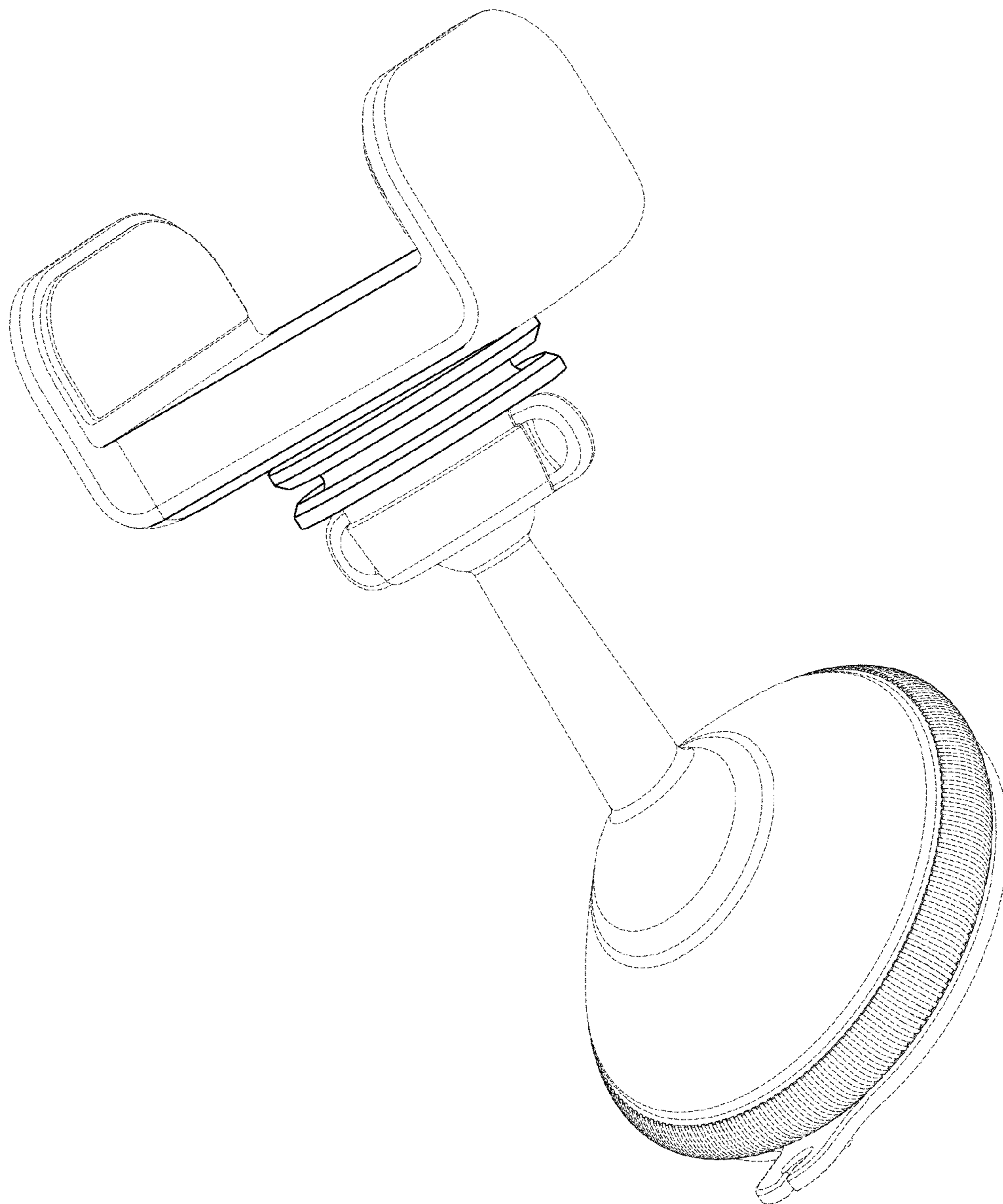


FIG. 1

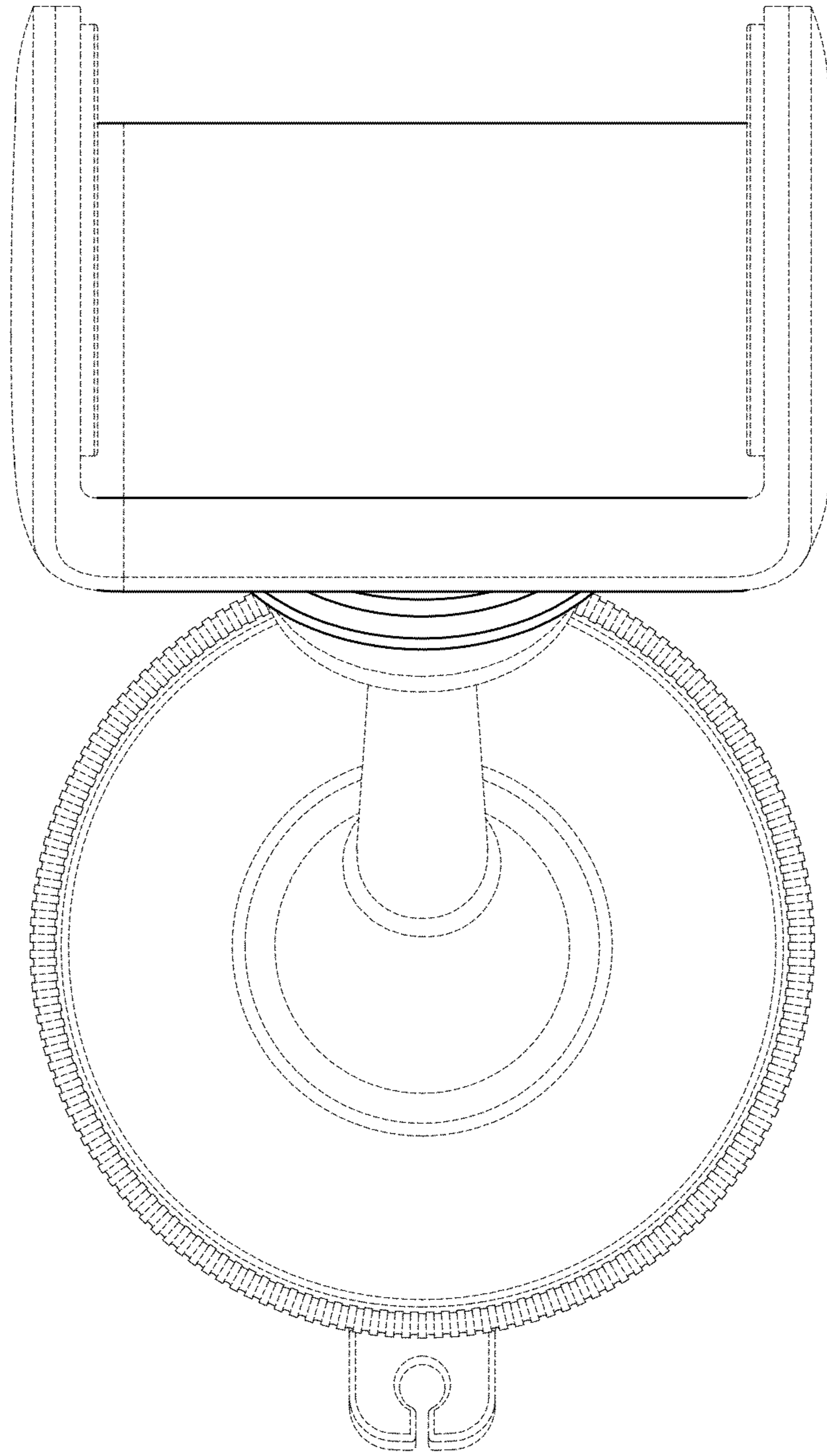


FIG. 2

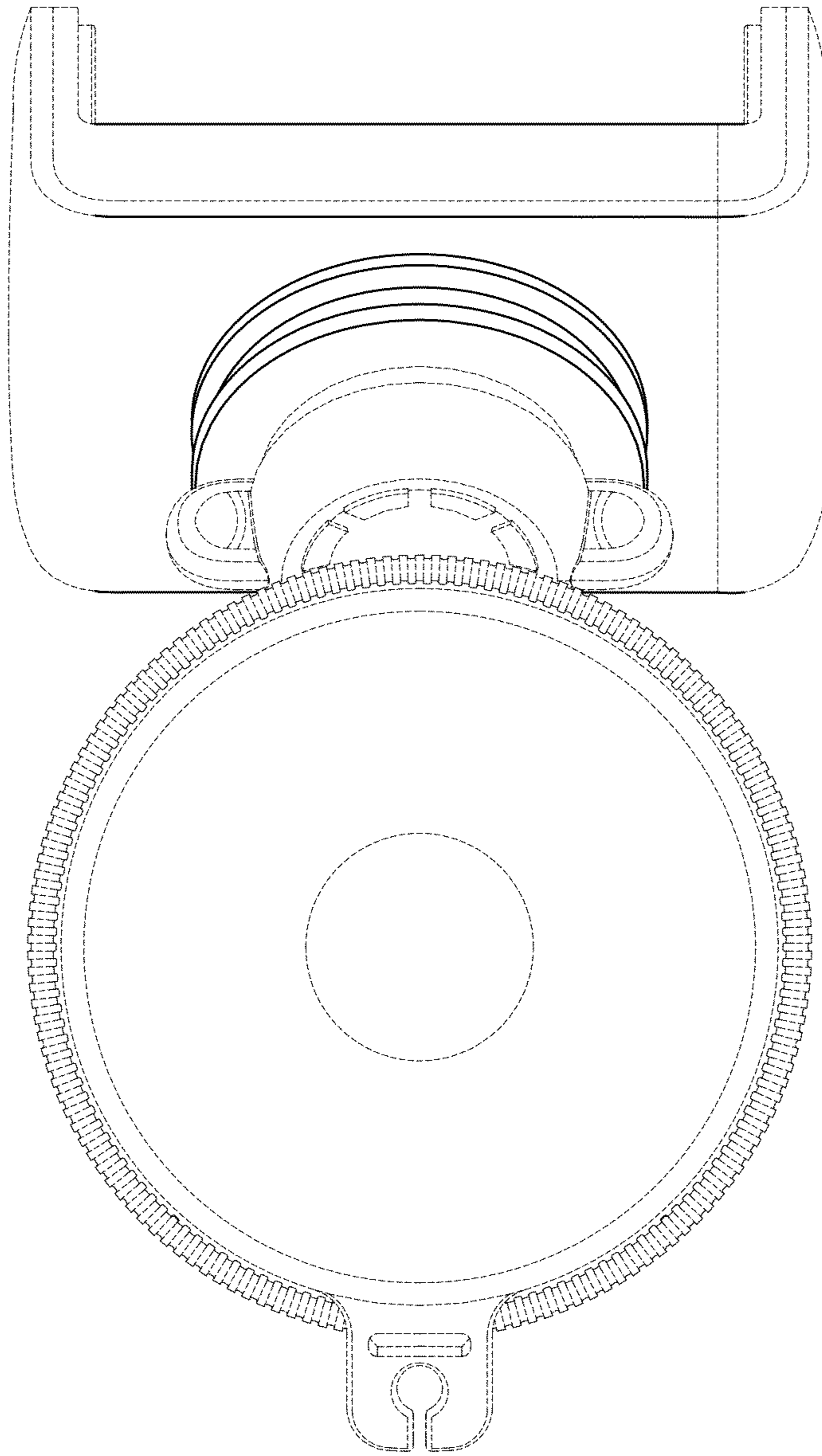


FIG. 3

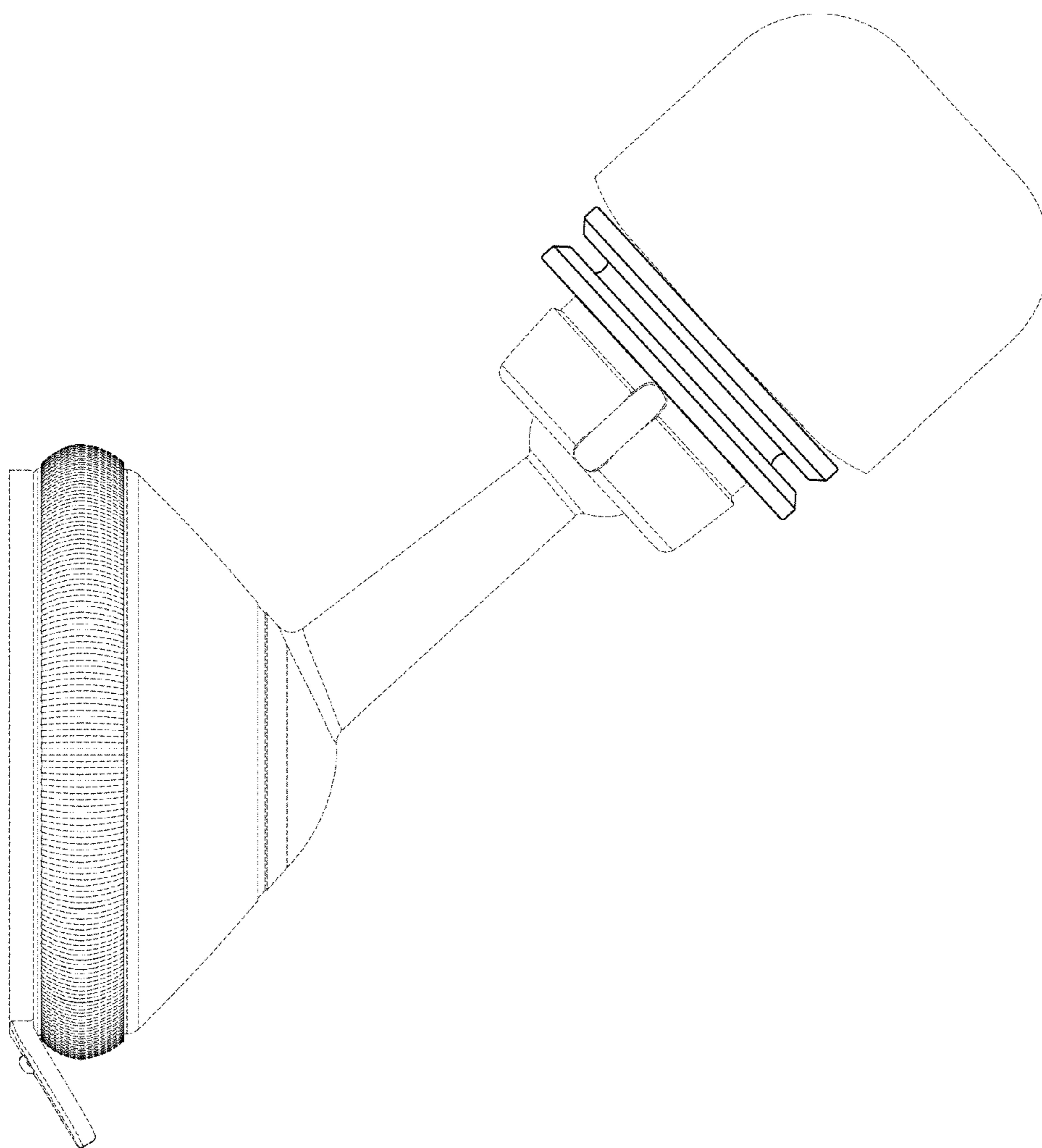


FIG. 4

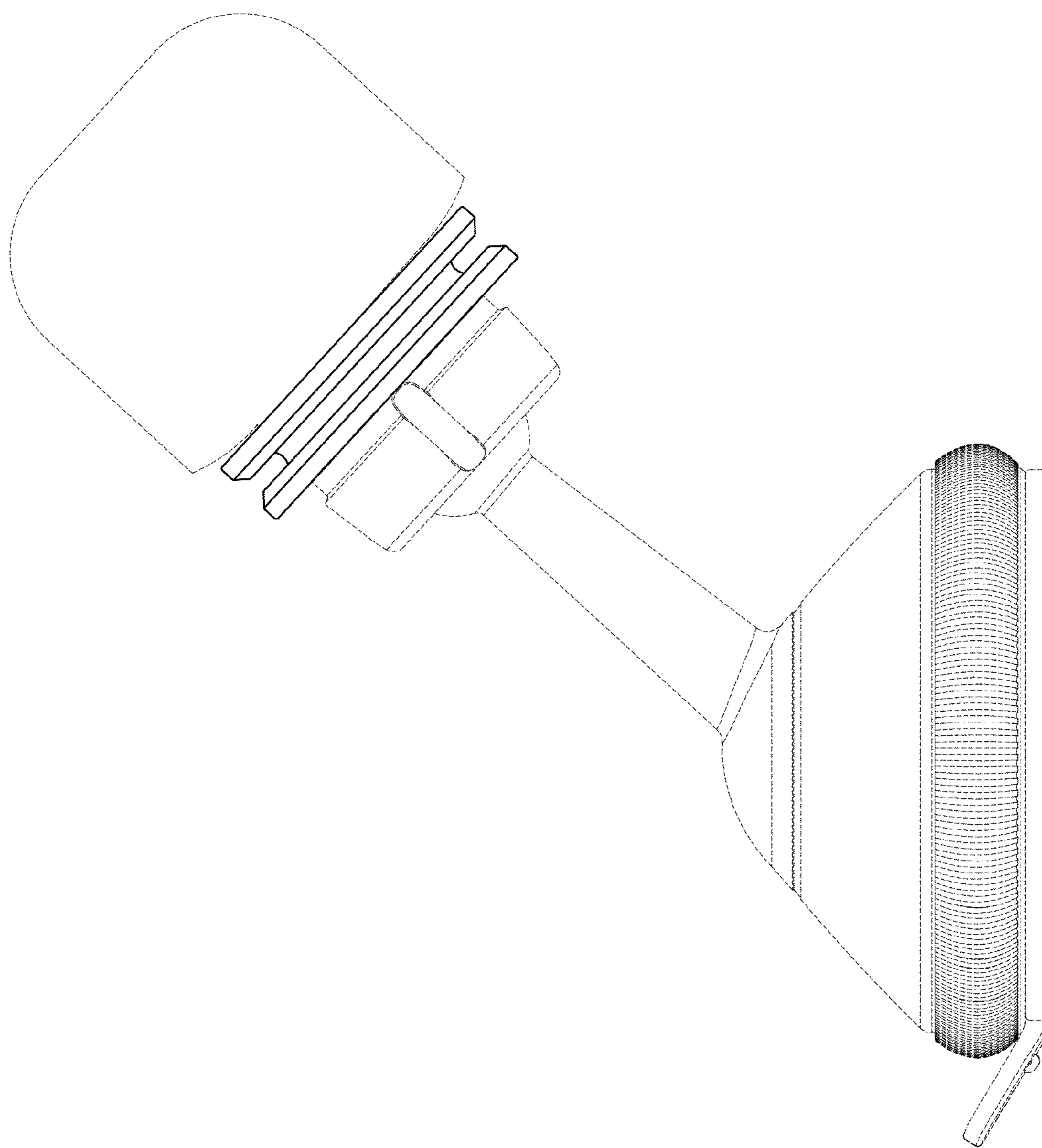


FIG. 5

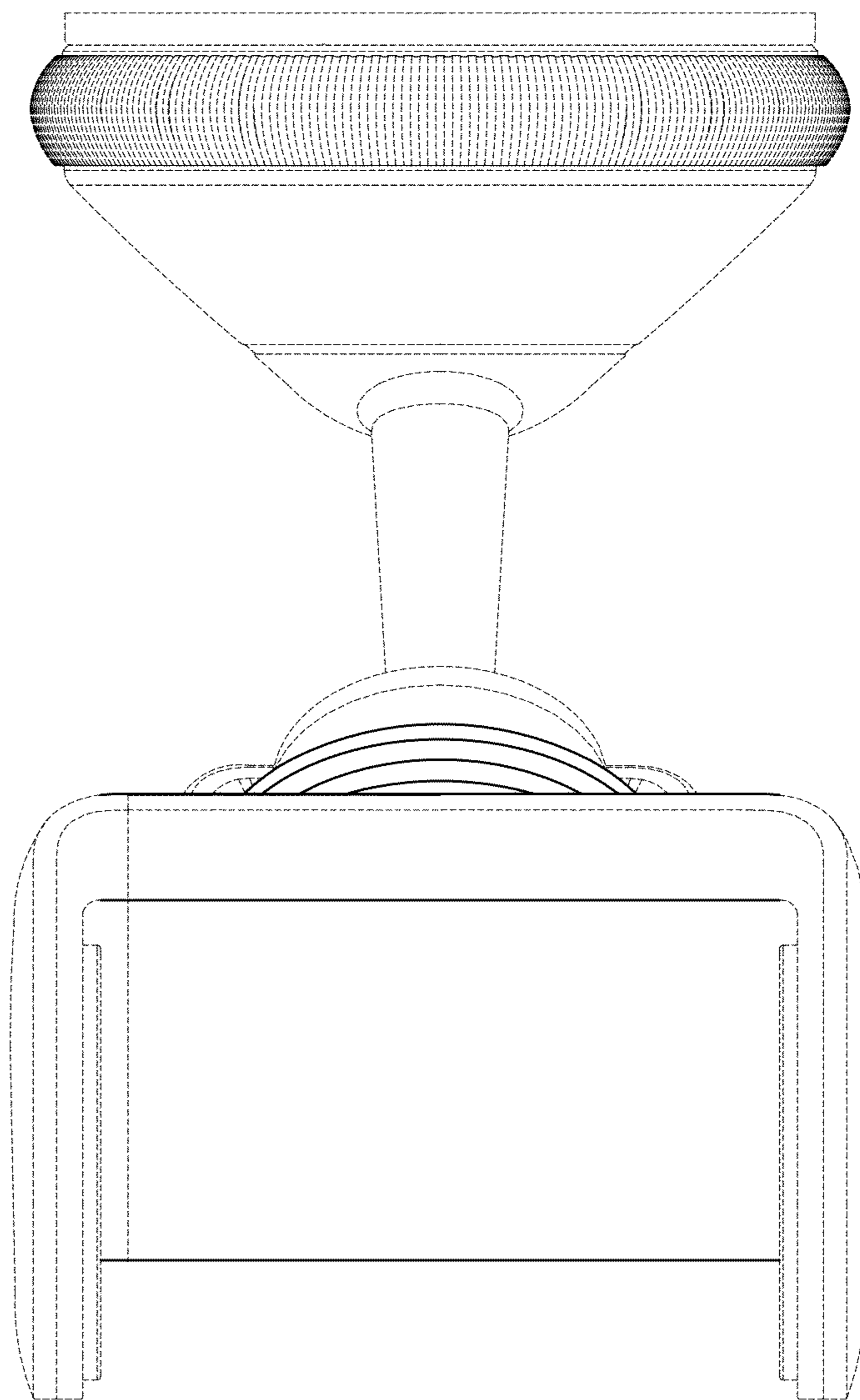


FIG. 6

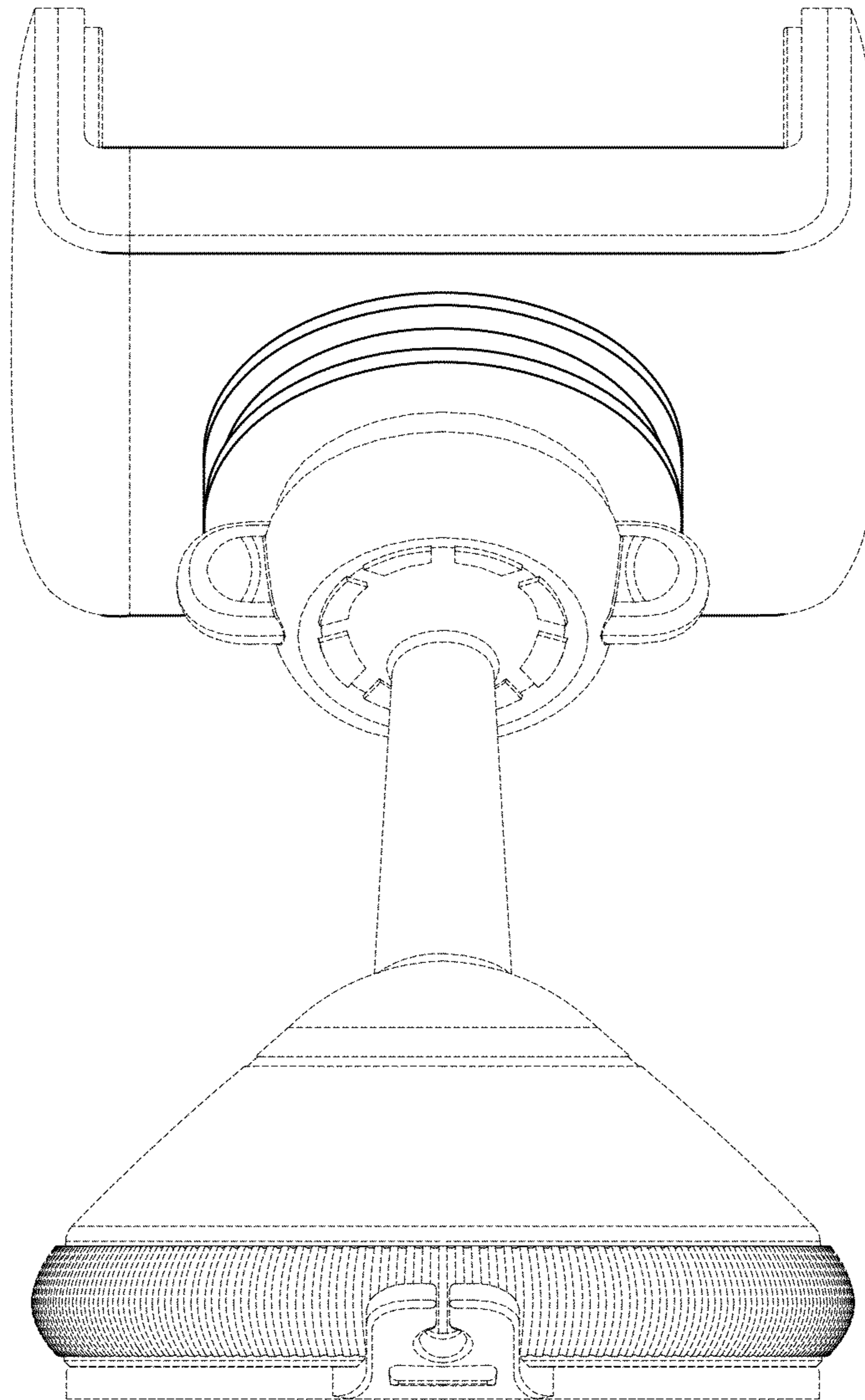


FIG. 7



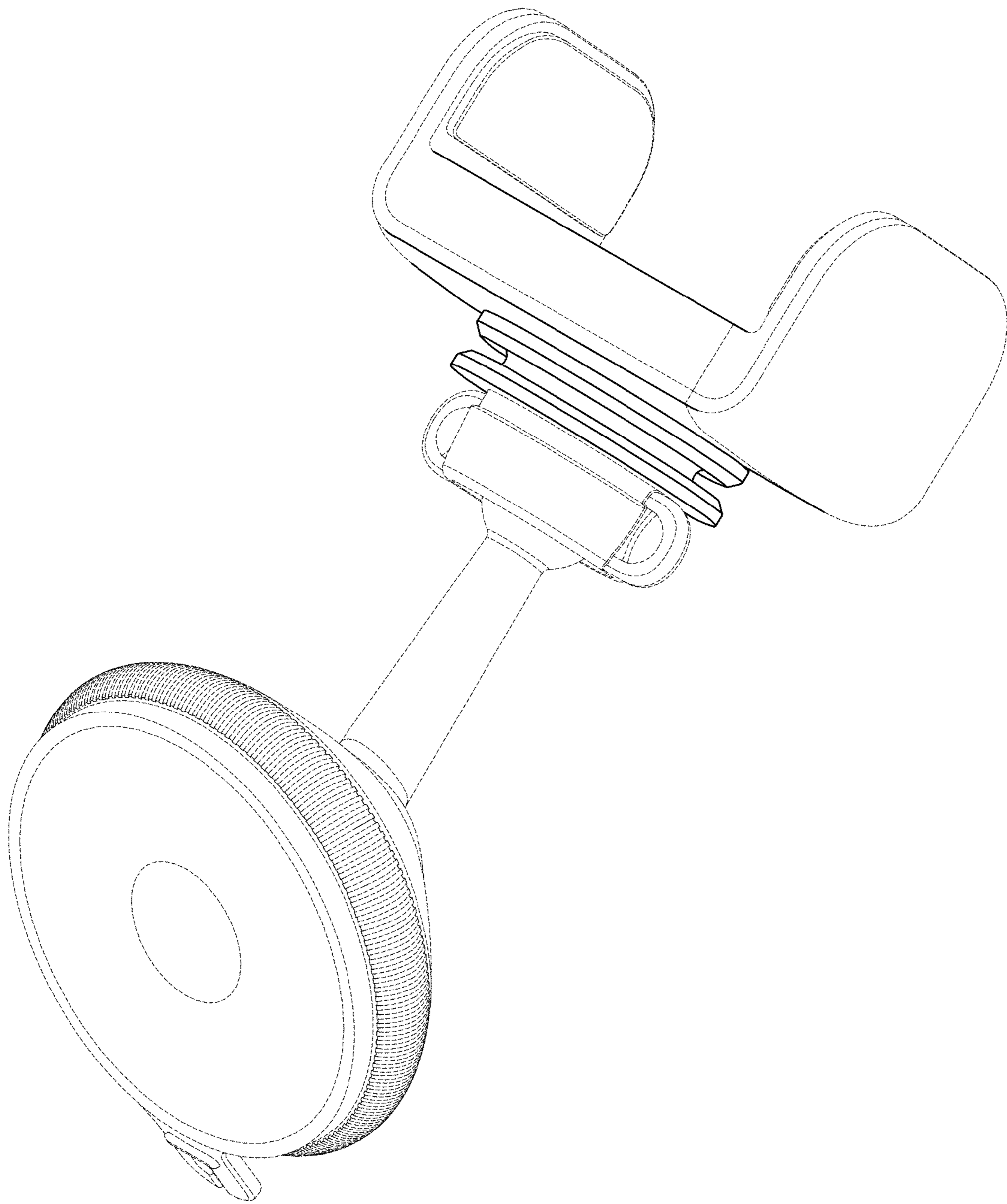


FIG. 8

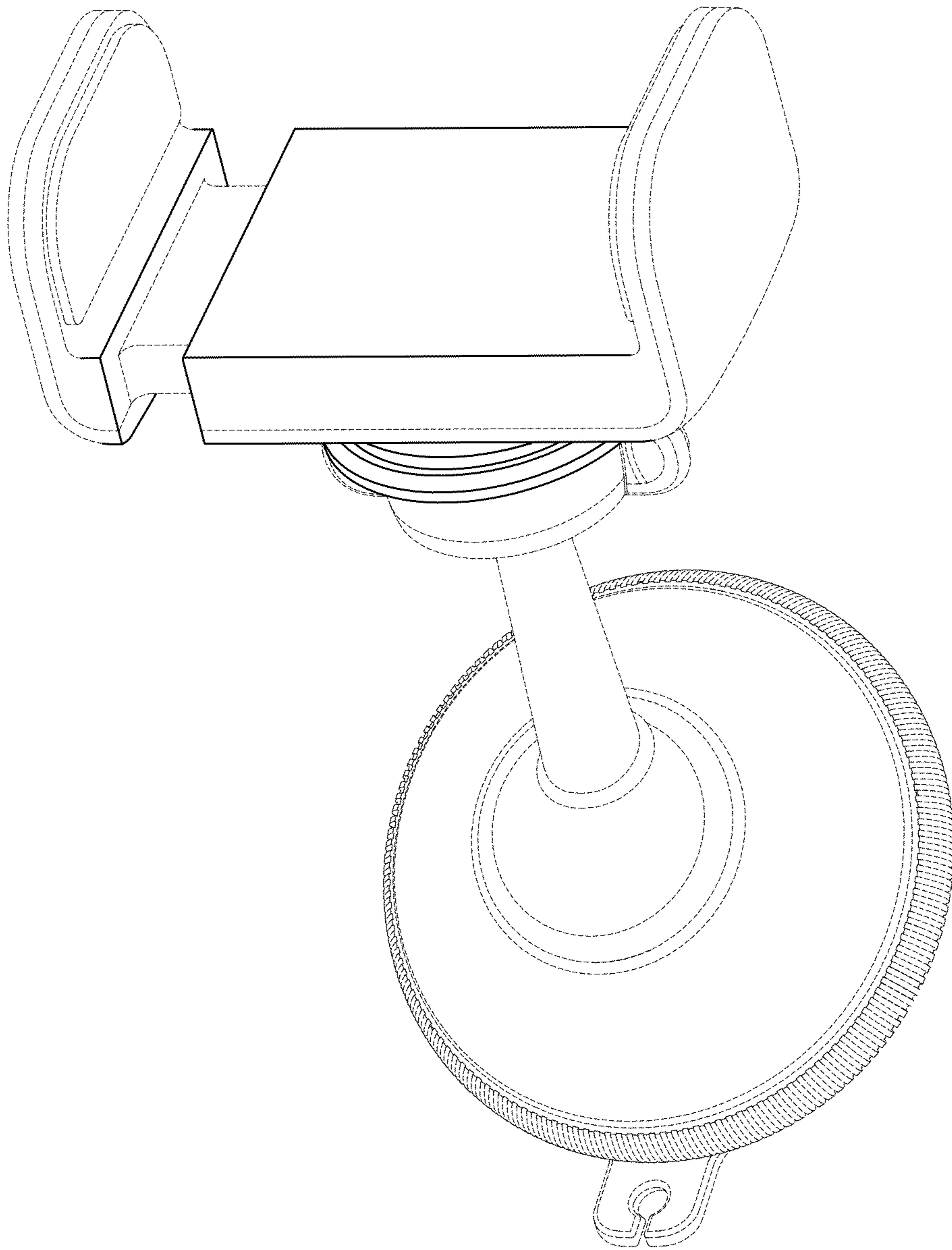


FIG. 9

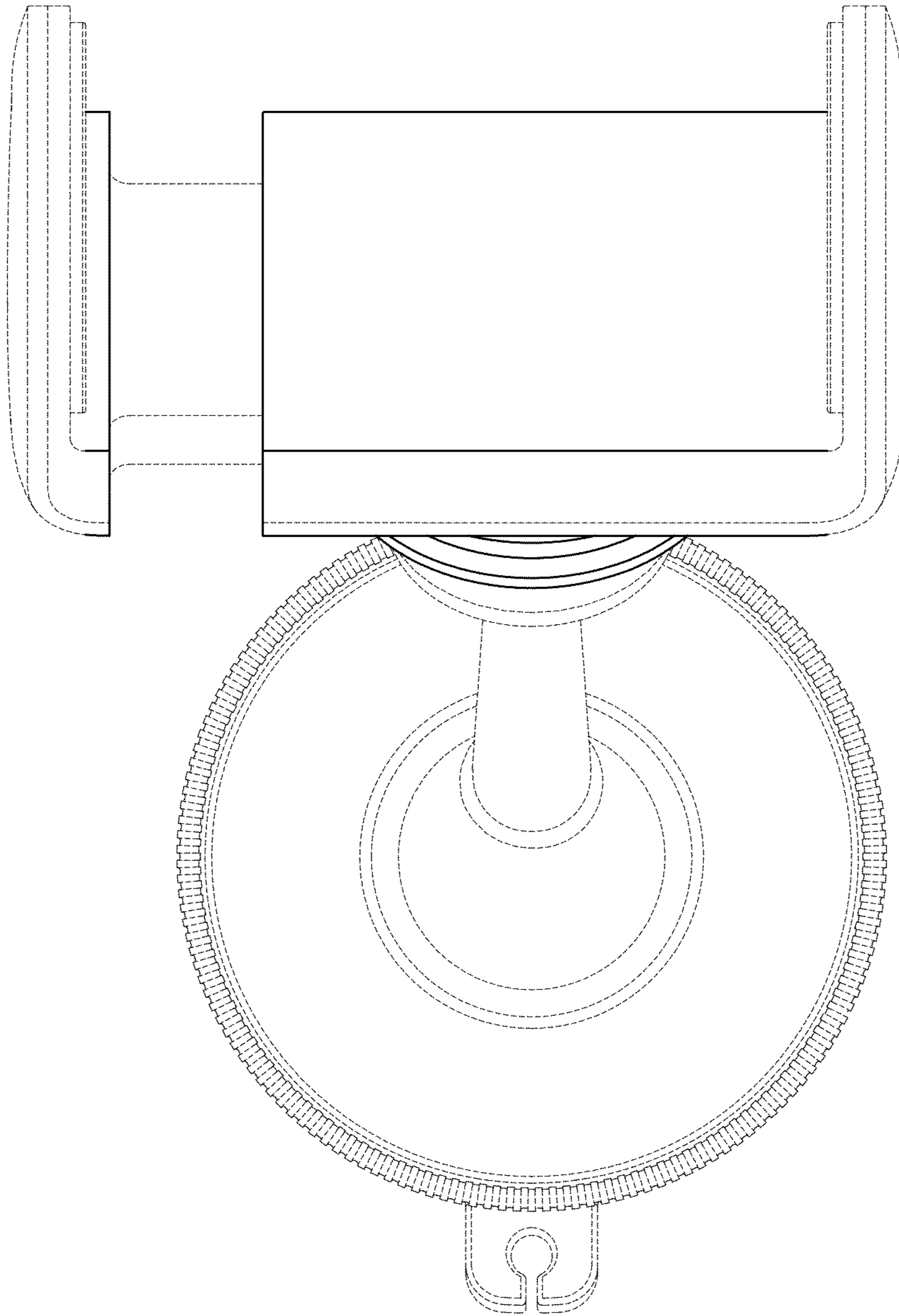


FIG. 10

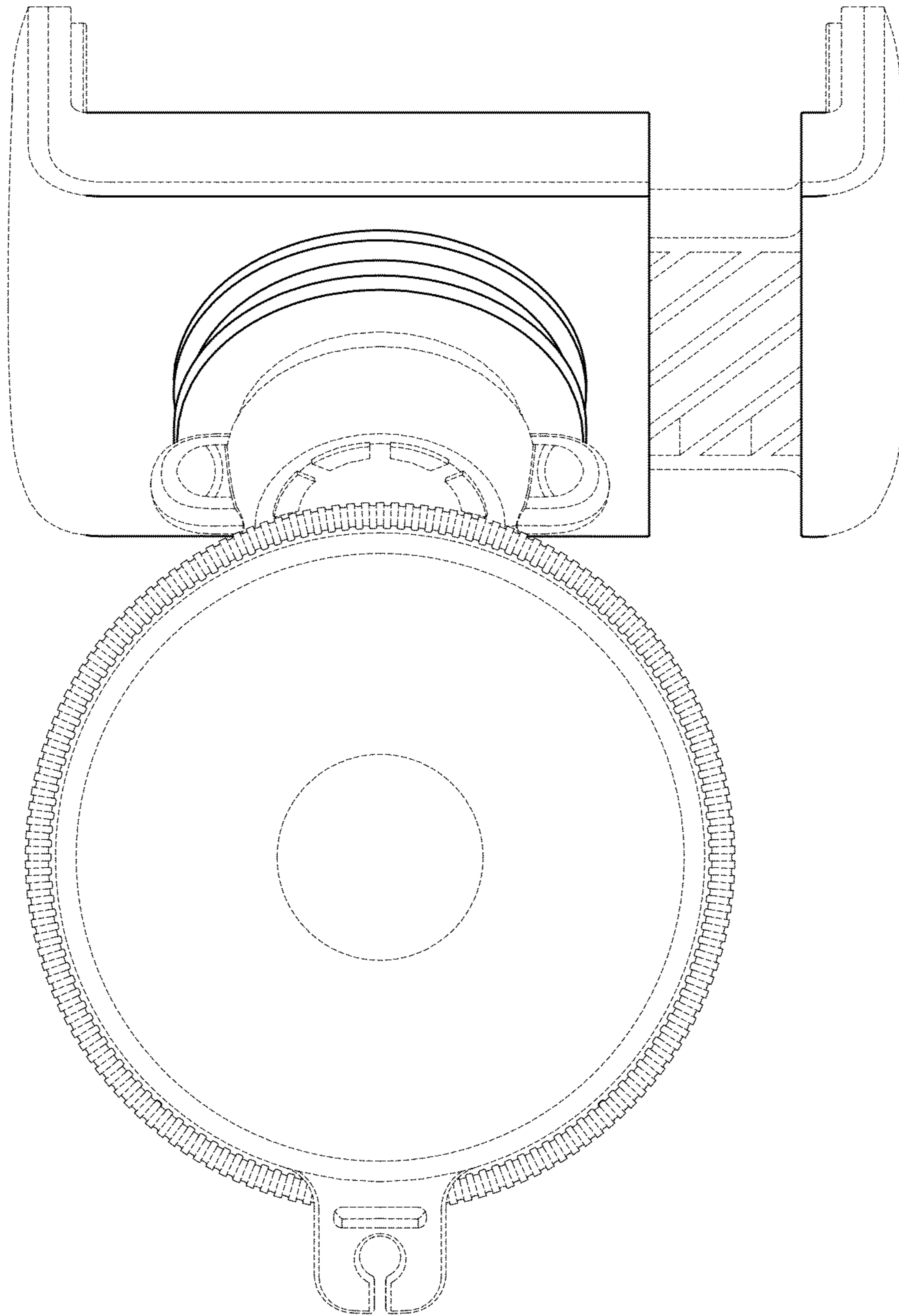


FIG. 11

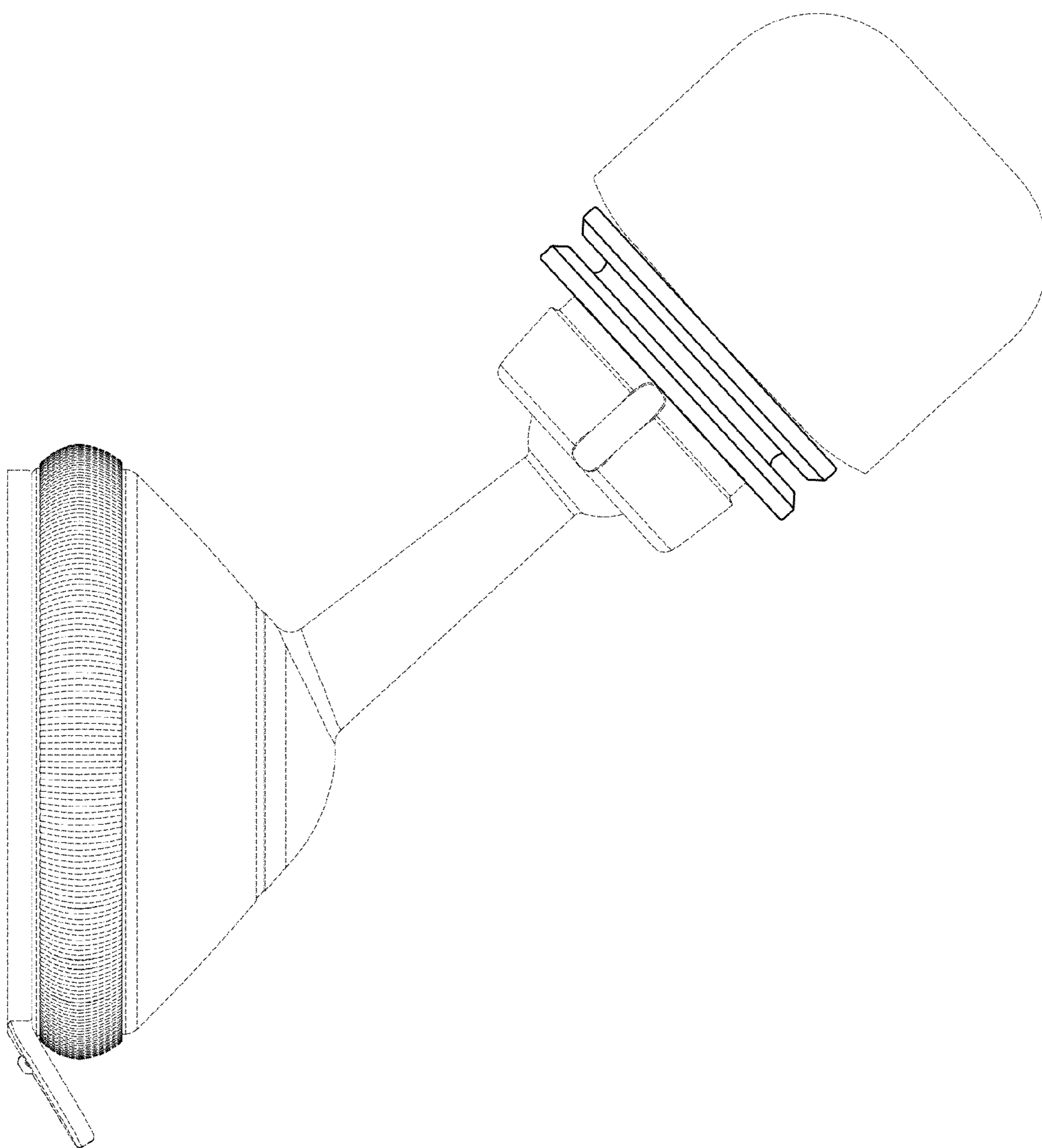


FIG. 12

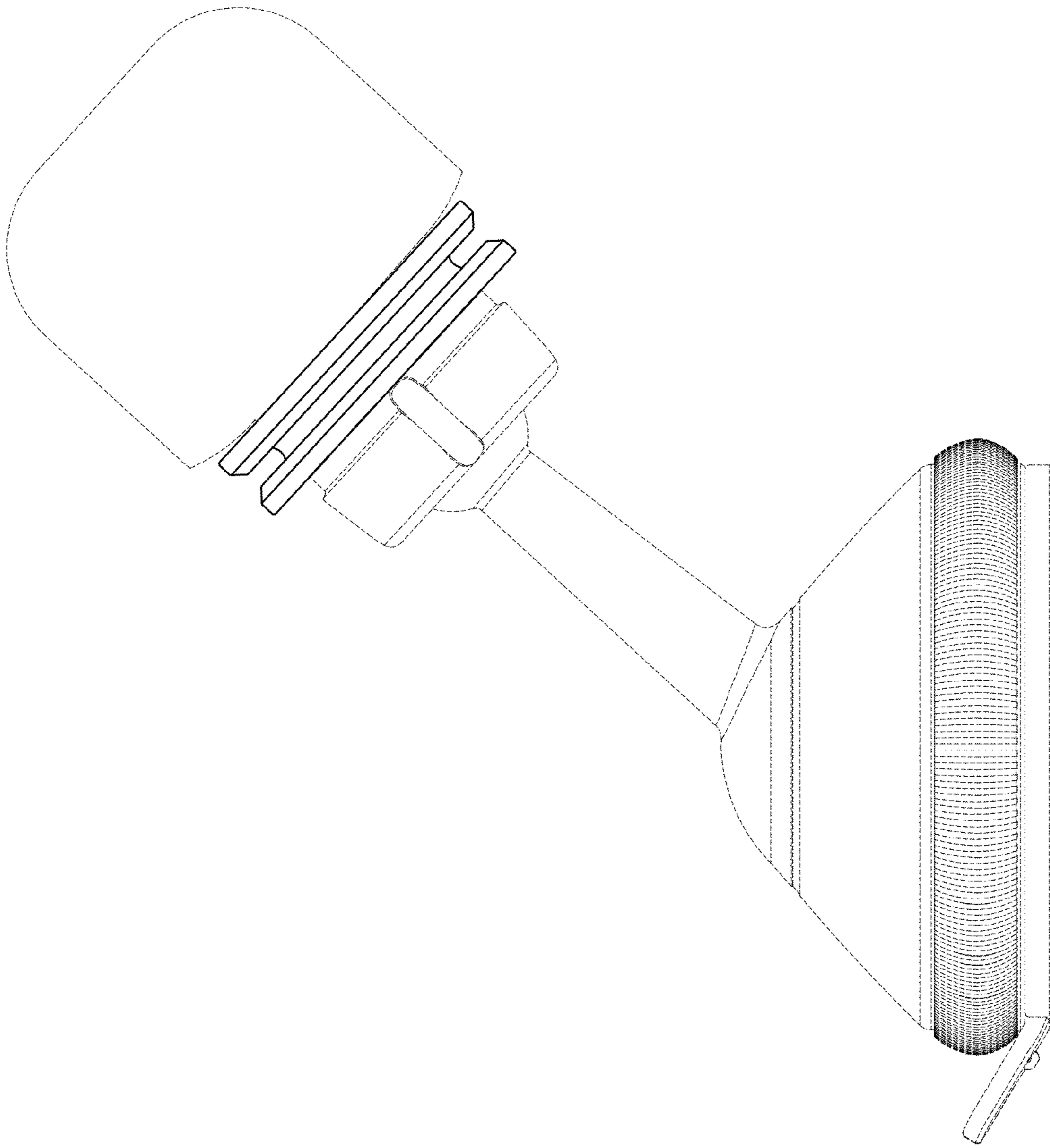


FIG. 13

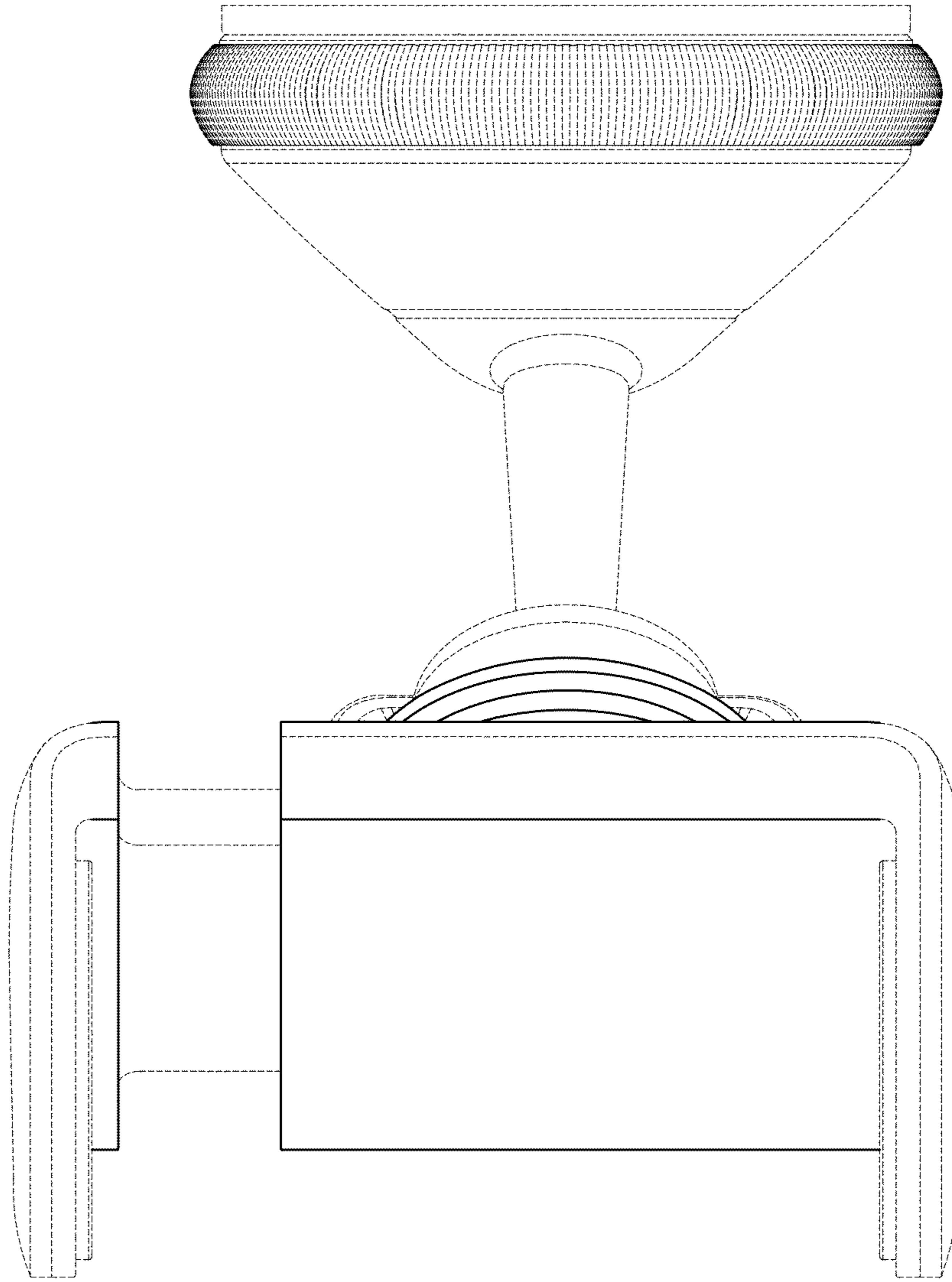


FIG. 14

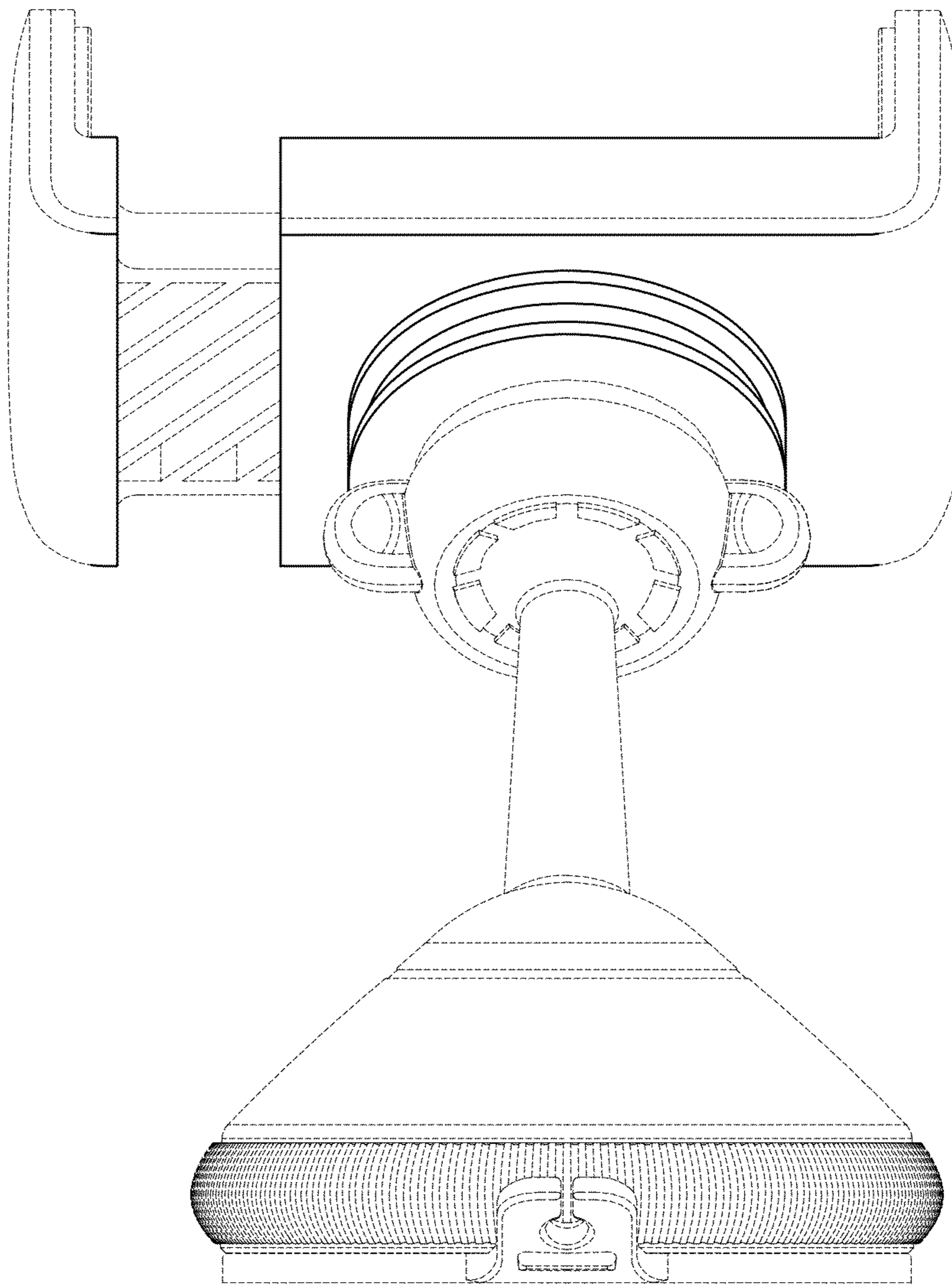


FIG. 15



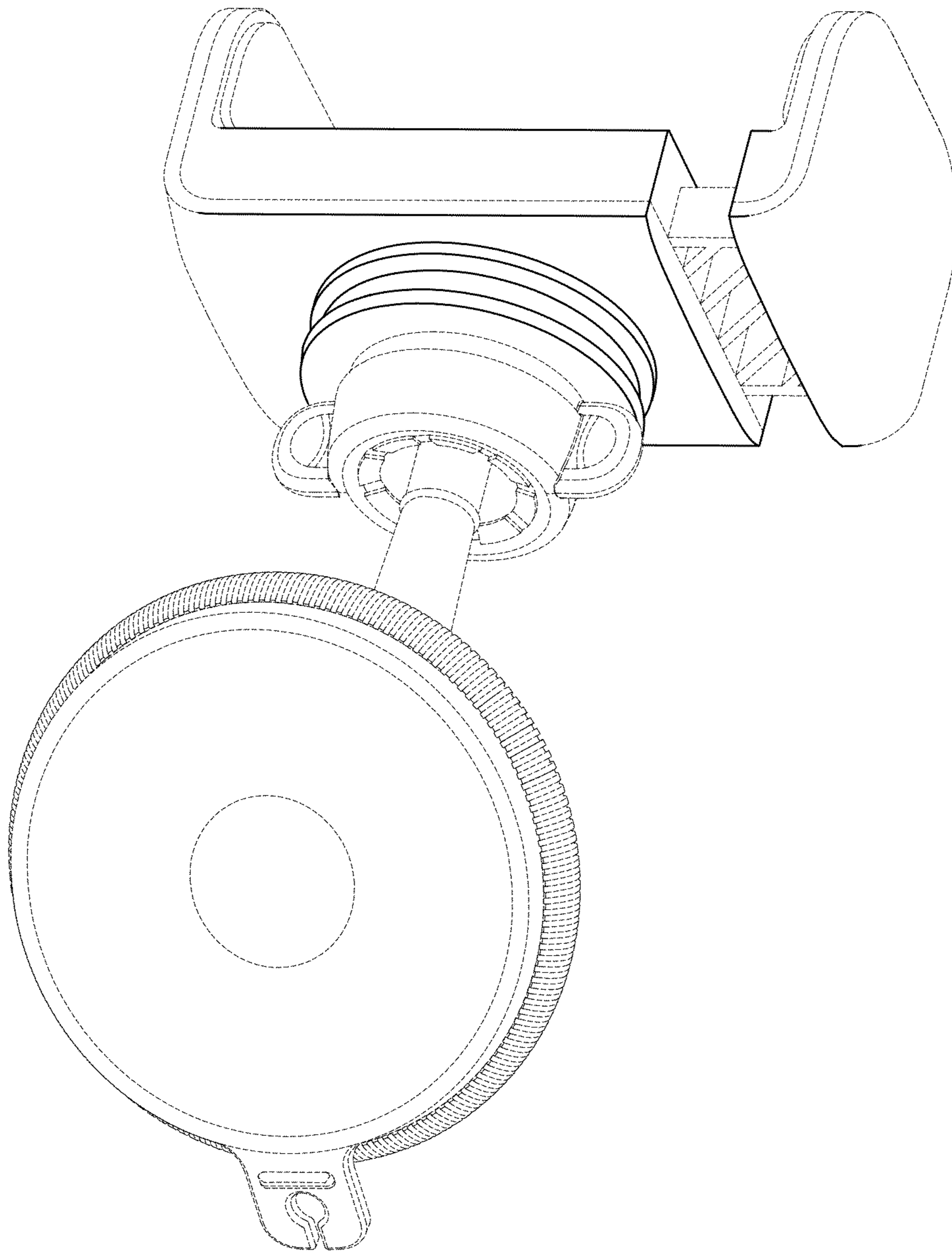


FIG. 16