



US00D727332S

(12) **United States Design Patent**
Hirsch

(10) **Patent No.:** **US D727,332 S**

(45) **Date of Patent:** **** Apr. 21, 2015**

(54) **TABLET COVER**

(71) Applicant: **PBD, Patent Business & Development AG, Zug (CH)**

(72) Inventor: **Markus Hirsch, Klagenfurt-Viktring (AT)**

(73) Assignee: **PBD, Patent Business & Development AG, Zug (CH)**

(**) Term: **14 Years**

(21) Appl. No.: **29/504,621**

(22) Filed: **Oct. 8, 2014**

(51) **LOC (10) Cl.** **14-02**

(52) **U.S. Cl.**
USPC **D14/440**

(58) **Field of Classification Search**
CPC ... G06F 1/1601; G06F 1/1626; G06F 1/1633;
G06F 1/1675; G06F 1/1679; G02F 1/1306;
G02F 1/133; G02F 1/133308; G02F 1/153;
G02F 1/1533; G02F 2001/133317; G04M
1/185; G04M 1/0252; H04B 1/13888
USPC D14/250, 251, 253, 240, 217, 496, 440,
D14/203.3, 203.4, 203.5, 203.8, 341, 318;
D3/218, 215, 201, 294, 289, 900;
220/4.02; 248/309.1; 361/679.56;
379/426, 433.11, 455; 455/575.1,
455/575.8, 457.1; 190/100; 206/305, 320,
206/45.2; D21/469; 312/240
See application file for complete search history.

(56) **References Cited**

U.S. PATENT DOCUMENTS

2,354,782	A *	8/1944	Stradling James Get al. ..	281/16
4,703,160	A *	10/1987	Narishima et al.	235/1 D
4,718,550	A *	1/1988	Johnson	206/387.13
D466,356	S *	12/2002	Marsilio	D6/632
D469,438	S *	1/2003	Corrales	D14/432
D471,008	S *	3/2003	Dubone	D3/247
D478,623	S *	8/2003	Wilburn	D19/26

6,646,672	B2 *	11/2003	Feierbach	348/14.02
D546,878	S *	7/2007	Bharma	D19/26
7,318,521	B2 *	1/2008	Lau	206/45.24
D581,865	S *	12/2008	Koza	D13/102
D584,314	S *	1/2009	Davis et al.	D14/440
7,542,052	B2 *	6/2009	Solomon et al.	345/659
D609,226	S *	2/2010	Hofer et al.	D14/248
8,016,107	B2 *	9/2011	Emsky	206/320
D646,266	S *	10/2011	Kim et al.	D14/250
D648,529	S *	11/2011	Brown	D3/269
D654,069	S *	2/2012	Kwon et al.	D14/250
8,132,670	B1 *	3/2012	Chen	206/320
D659,139	S *	5/2012	Gengler	D14/392
D662,100	S *	6/2012	Van Den Nieuwenhuizen et al.	D14/440
D662,503	S *	6/2012	Akana et al.	D14/439
D663,304	S *	7/2012	Akana et al.	D14/440
8,230,992	B2 *	7/2012	Law et al.	206/320
D665,809	S *	8/2012	Wang et al.	D14/439

(Continued)

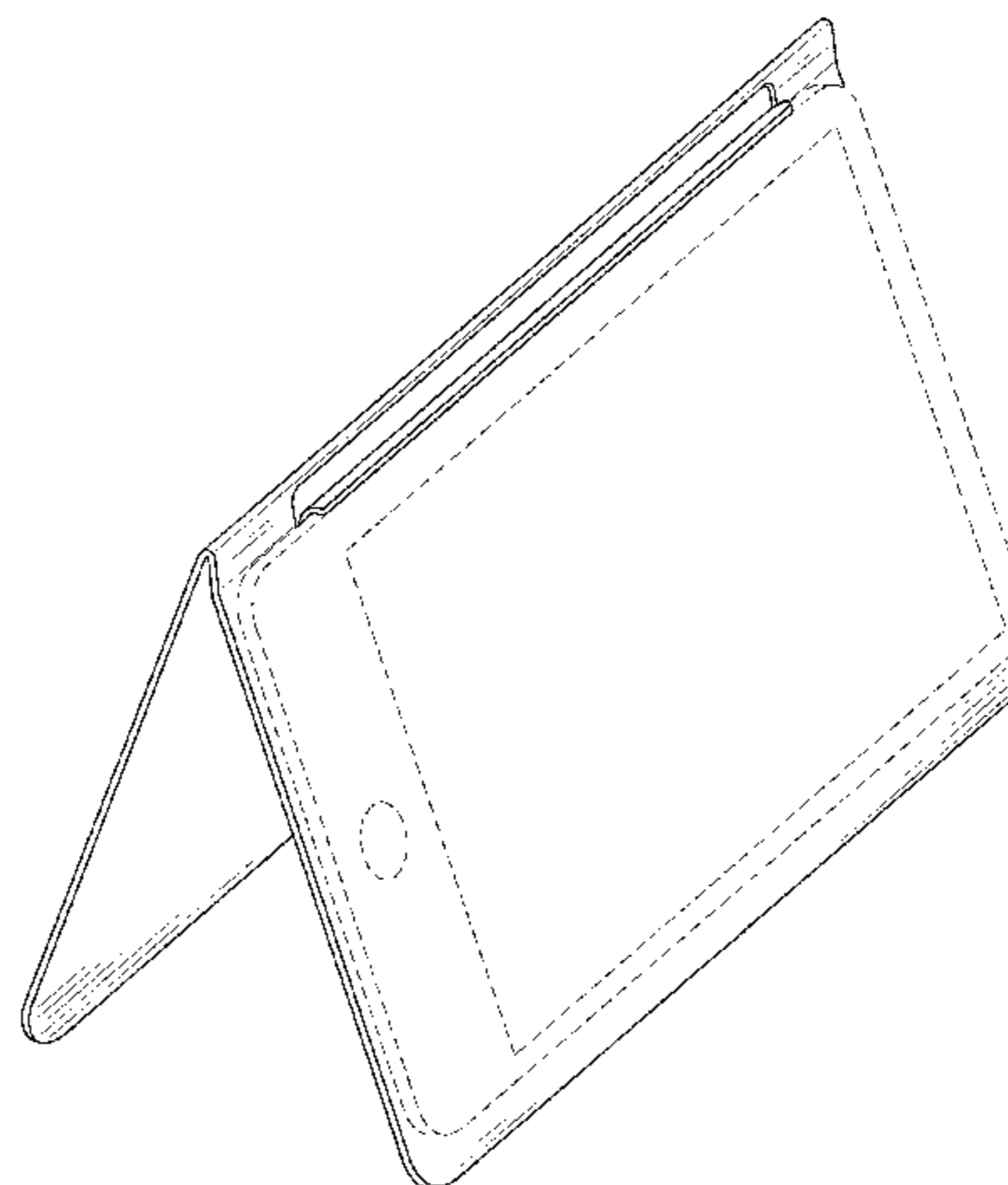
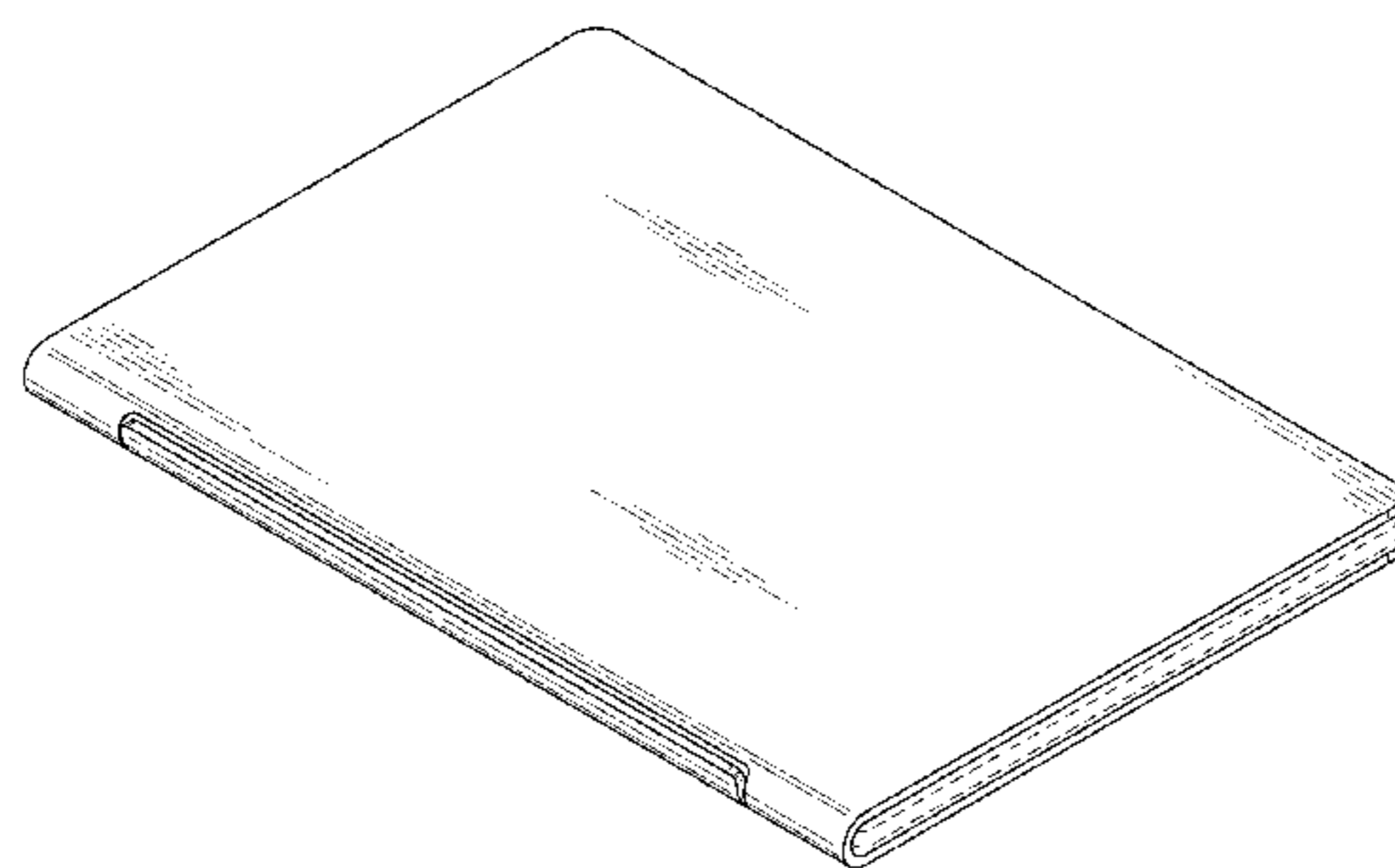
Primary Examiner — Cynthia Underwood
(74) *Attorney, Agent, or Firm* — Collard & Roe, P.C.

(57) **CLAIM**
The ornamental design for a tablet cover, as shown and described.

DESCRIPTION

FIG. 1 shows an exterior front, side and bottom perspective view of a tablet cover showing my new design in a closed position with a tablet inserted;
FIG. 2 is an exterior front and rear view thereof in an open position;
FIG. 3 is an interior front and rear view thereof in an open position;
FIG. 4 is a bottom view thereof in a closed position, with the top view being a mirror image thereof;
FIG. 5 is an interior front, interior rear and bottom perspective view thereof in an open position with a tablet inserted; and,
FIG. 6 is a bottom, interior rear and exterior front perspective view thereof in a raised position with a tablet inserted.
The features shown in broken lines show environmental structure only and form no part of the claimed design.

1 Claim, 5 Drawing Sheets



(56)

References Cited

U.S. PATENT DOCUMENTS

8,235,208	B2 *	8/2012	Sirichai et al.	206/320	D696,256	S *	12/2013	Piedra et al.	D14/440
8,245,843	B1 *	8/2012	Wu	206/320	2009/0194209	A1 *	8/2009	De Filippis et al.	150/107
D669,480	S *	10/2012	Piedra et al.	D14/440	2010/0289390	A1 *	11/2010	Kenney	312/223.1
D672,353	S *	12/2012	Liu	D14/440	2012/0037523	A1 *	2/2012	Diebel et al.	206/320
D694,245	S *	11/2013	Sanz	D14/440	2012/0043231	A1 *	2/2012	Perrier et al.	206/216
					2012/0170212	A1 *	7/2012	Gallouzi et al.	361/679.56
					2012/0194448	A1 *	8/2012	Rothkopf	345/173
					2012/0212896	A1 *	8/2012	Schulz	361/679.02

* cited by examiner

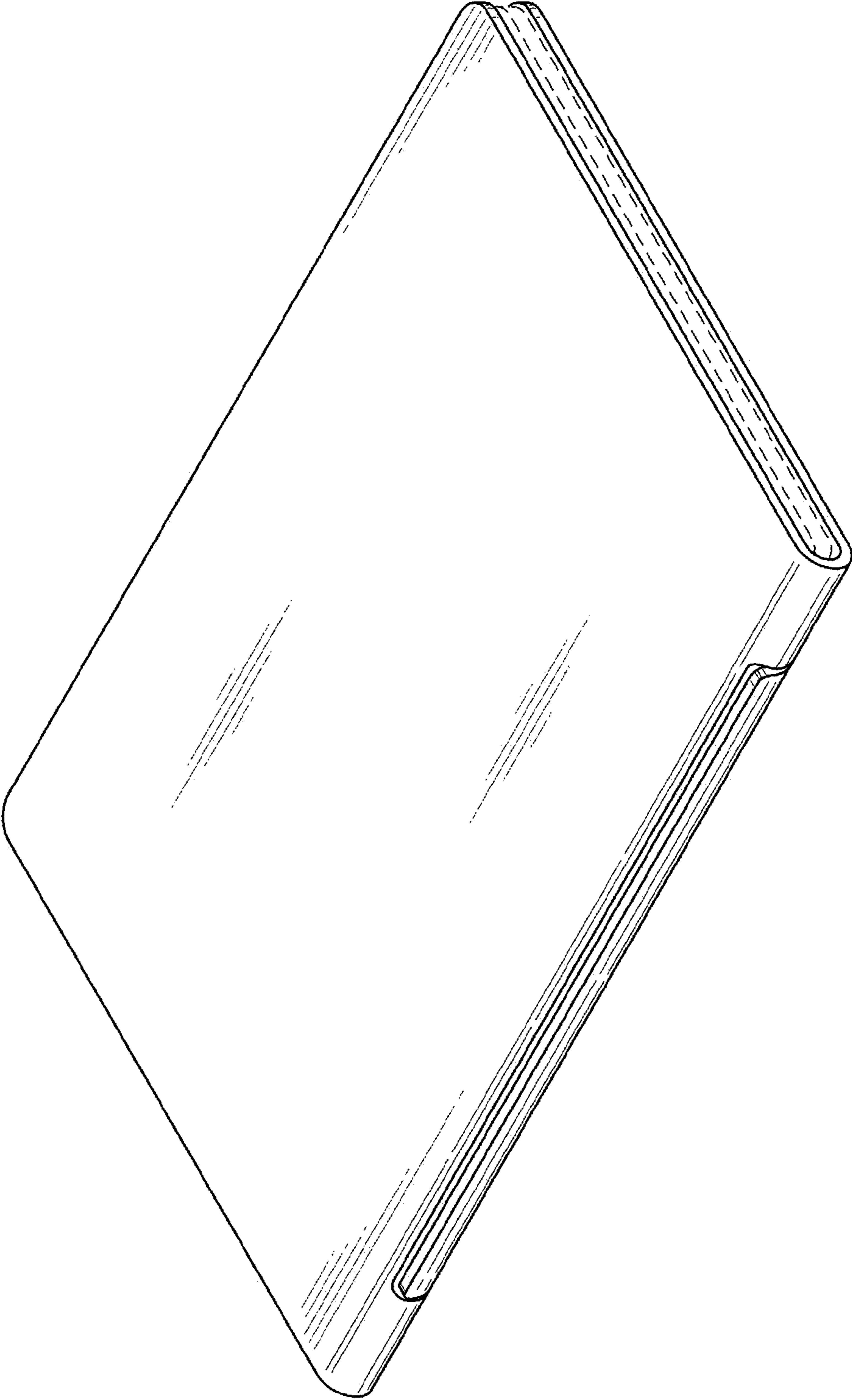


FIG. 1

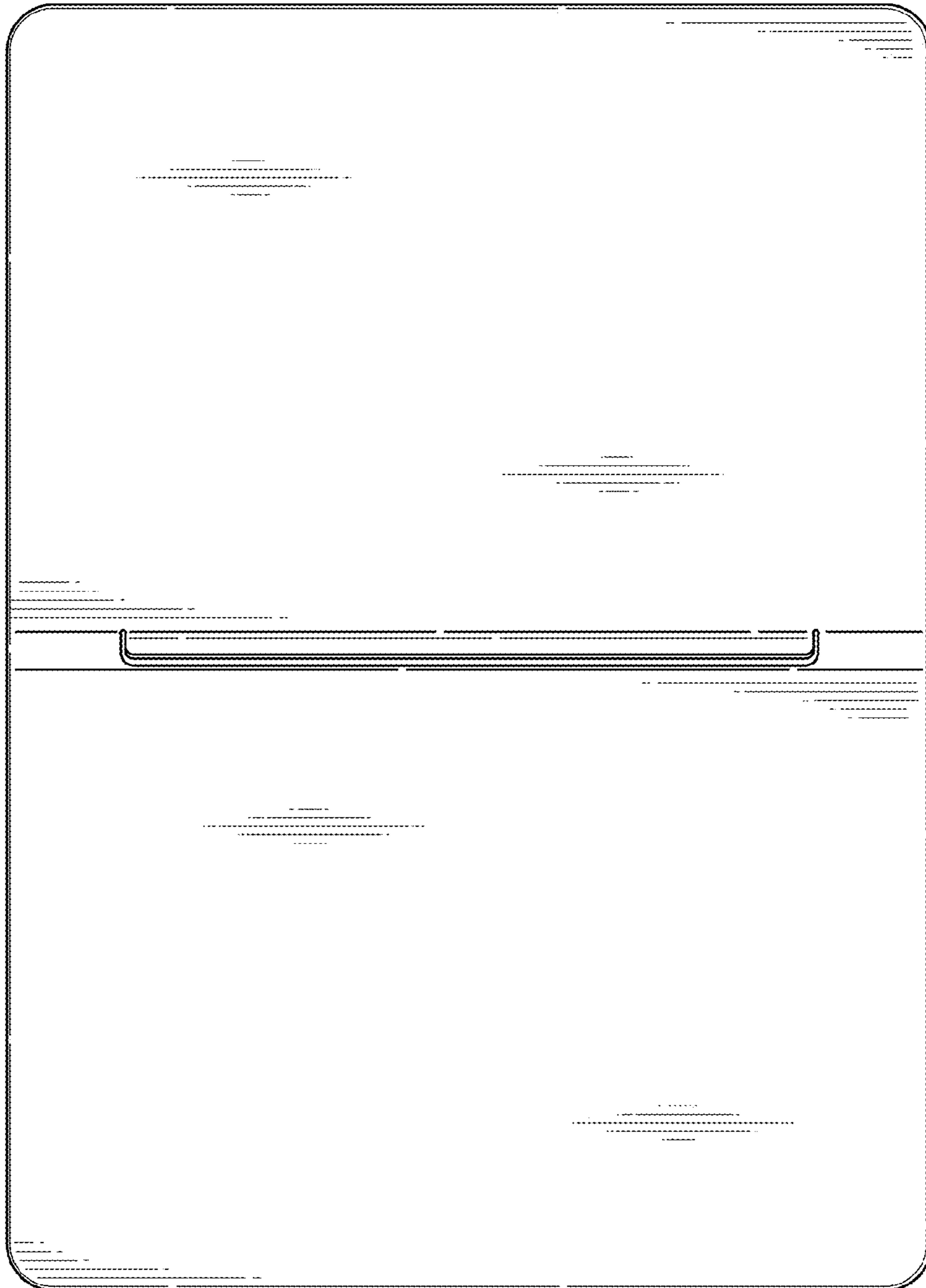


FIG. 2

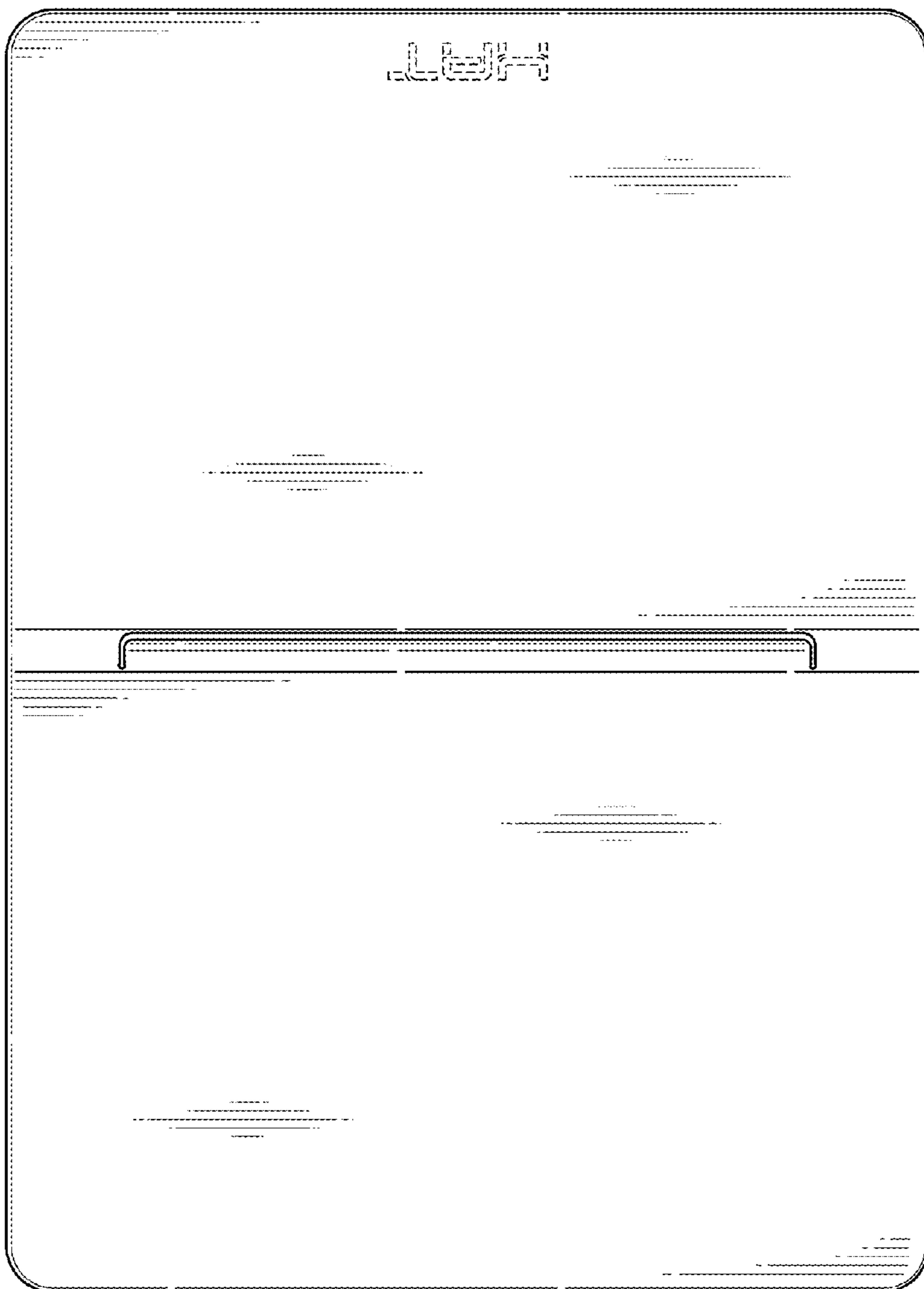


FIG. 3



FIG. 4

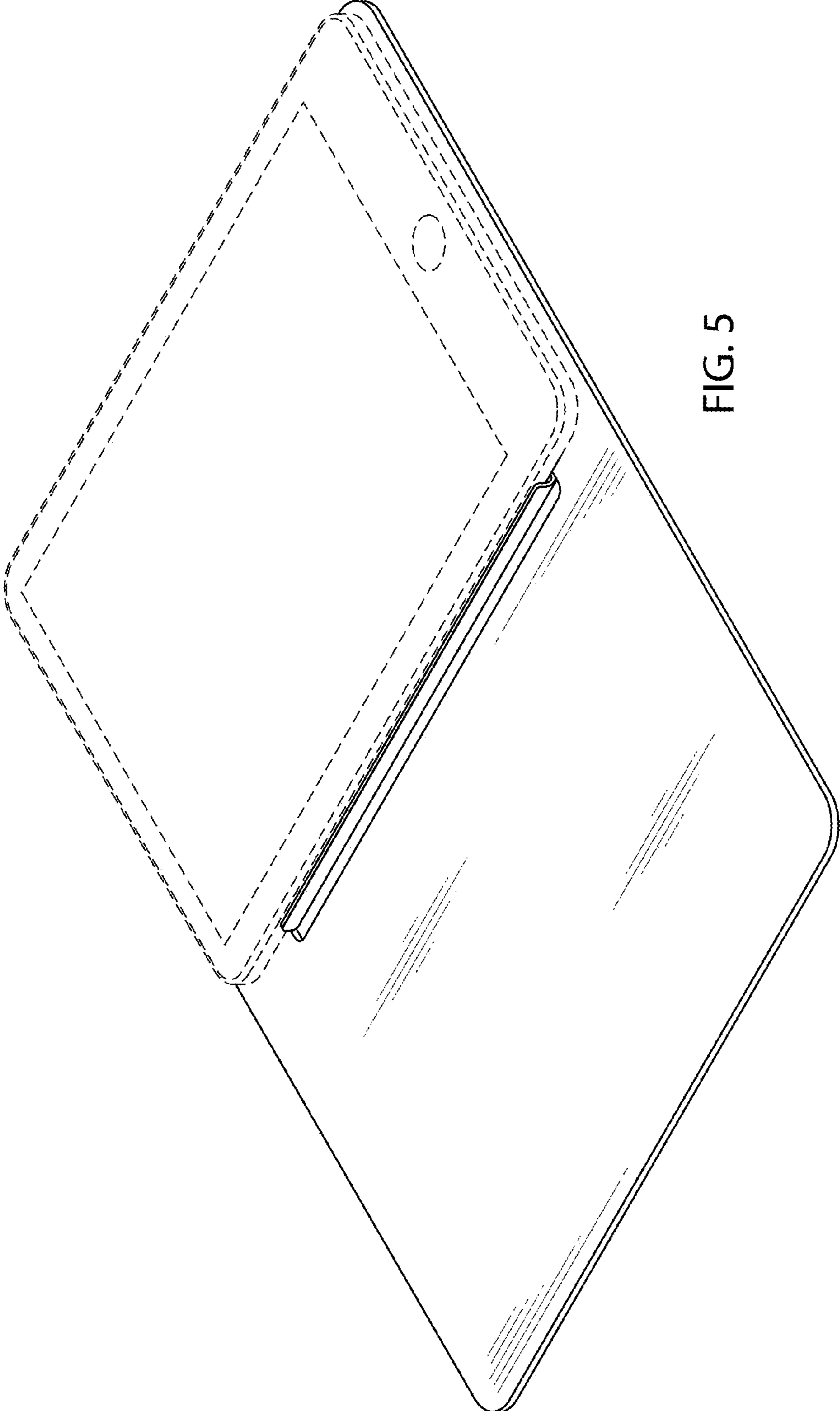


FIG. 5

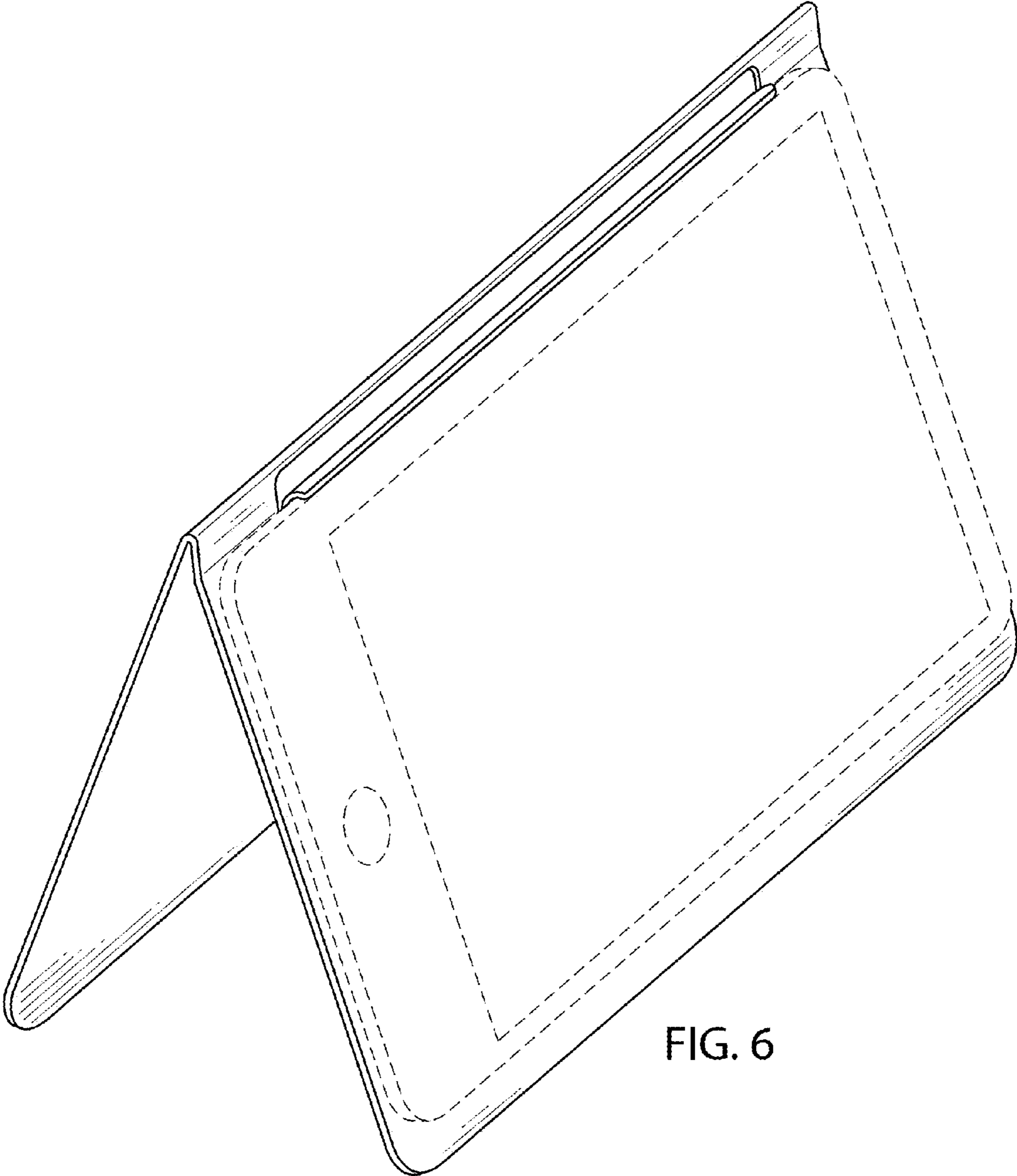


FIG. 6