



US00D727330S

(12) **United States Design Patent**
Reaux

(10) **Patent No.:** **US D727,330 S**
(45) **Date of Patent:** **** Apr. 21, 2015**

(54) **ELECTRONIC DISPLAY CASE WITH
RELEASABLE, LAMINATED TEAR-OFF
FILM**

(71) Applicant: **Brian K. Reaux**, Red Oak, TX (US)

(72) Inventor: **Brian K. Reaux**, Red Oak, TX (US)

(73) Assignee: **Brian K. Reaux**, Red Oak, TX (US)

(**) Term: **14 Years**

(21) Appl. No.: **29/442,270**

(22) Filed: **Jan. 18, 2013**

(51) **LOC (10) Cl.** **14-02**

(52) **U.S. Cl.**
USPC **D14/440**

(58) **Field of Classification Search**
USPC D14/250, 251, 253, 240, 217, 496, 440,
D14/203.3, 203.4, 203.5, 203.8, 341, 318;
D3/218, 215, 201, 294, 289, 900;
220/4.02; 248/309.1; 361/679.56;
379/426, 433.11, 455; 455/575.1,
455/575.8; 190/100; 206/305, 320;
D21/469; 428/41.7, 131, 212, 40.1;
156/145; 345/173

See application file for complete search history.

(56) **References Cited**

U.S. PATENT DOCUMENTS

D612,818 S * 3/2010 Lents, Jr. D14/125
8,044,942 B1 * 10/2011 Leonhard et al. 345/173

D658,164 S * 4/2012 Chan D14/238.1
8,704,787 B2 * 4/2014 Yamamoto et al. 345/173
2002/0122925 A1 * 9/2002 Liu et al. 428/212
2010/0026646 A1 * 2/2010 Xiao et al. 345/173
2010/0270189 A1 * 10/2010 Pedersen et al. 206/320
2012/0183712 A1 * 7/2012 Leonhard et al. 428/40.1
2012/0183713 A1 * 7/2012 Leonhard et al. 428/41.7

OTHER PUBLICATIONS

U.S. 8,704,784, Apr. 2014, Park et al (withdrawn).*

* cited by examiner

Primary Examiner — Cynthia Underwood

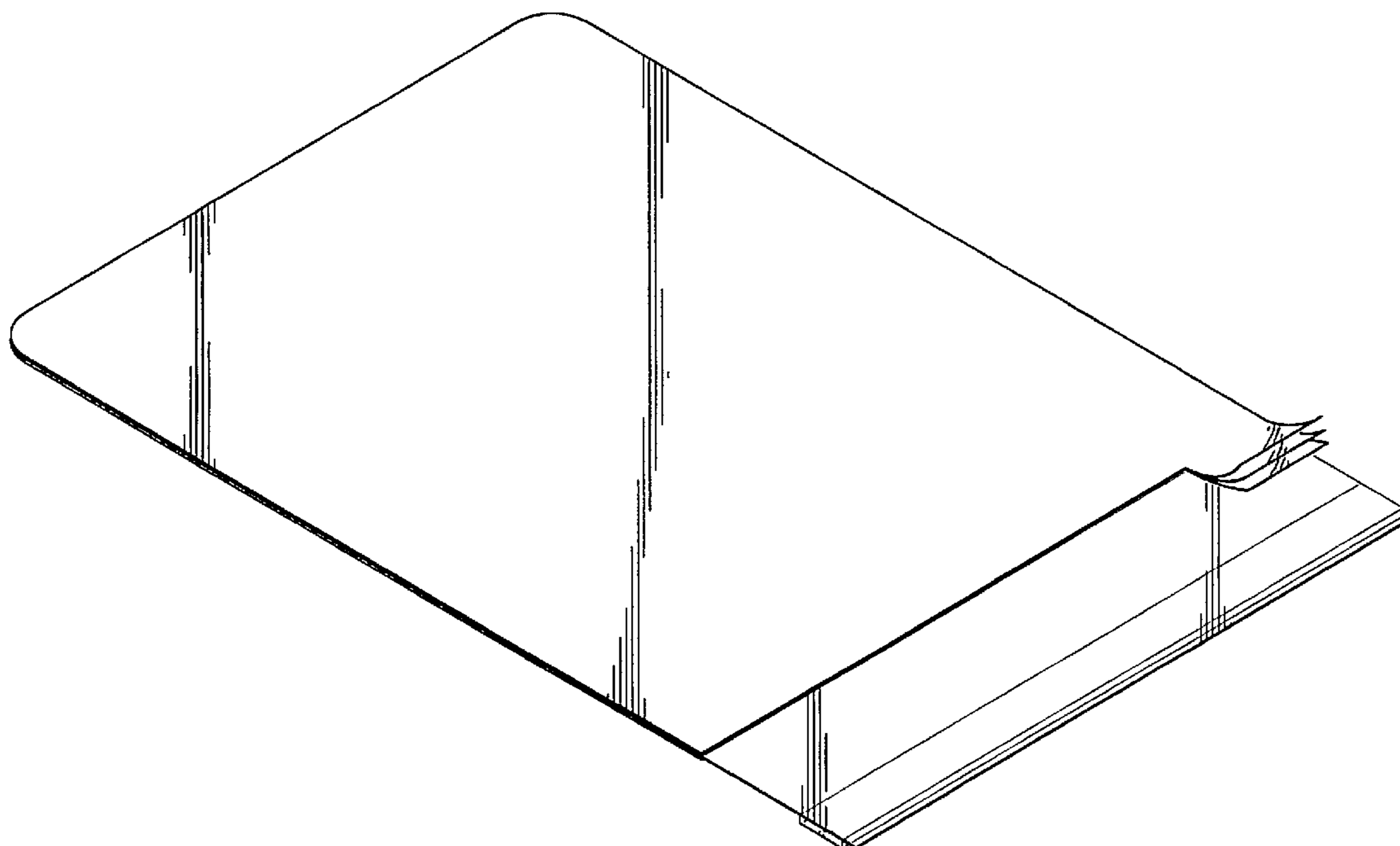
(57) **CLAIM**

I claim the ornamental design for an electronic display case with releasable, laminated tear-off film.

DESCRIPTION

FIG. 1 is a front perspective view of my electronic display case with releasable, laminated tear-off film;
FIG. 2 is a top view thereof;
FIG. 3 is a bottom view thereof;
FIG. 4 is a left side view thereof;
FIG. 5 is a right side view thereof;
FIG. 6 is a front view thereof;
FIG. 7 is a bottom view thereof, the dot pattern representing a textured surface; and,
FIG. 8 is a perspective view thereof shown in an open position and in a, environment of use, the broken lines forming no part of the claim.

1 Claim, 5 Drawing Sheets



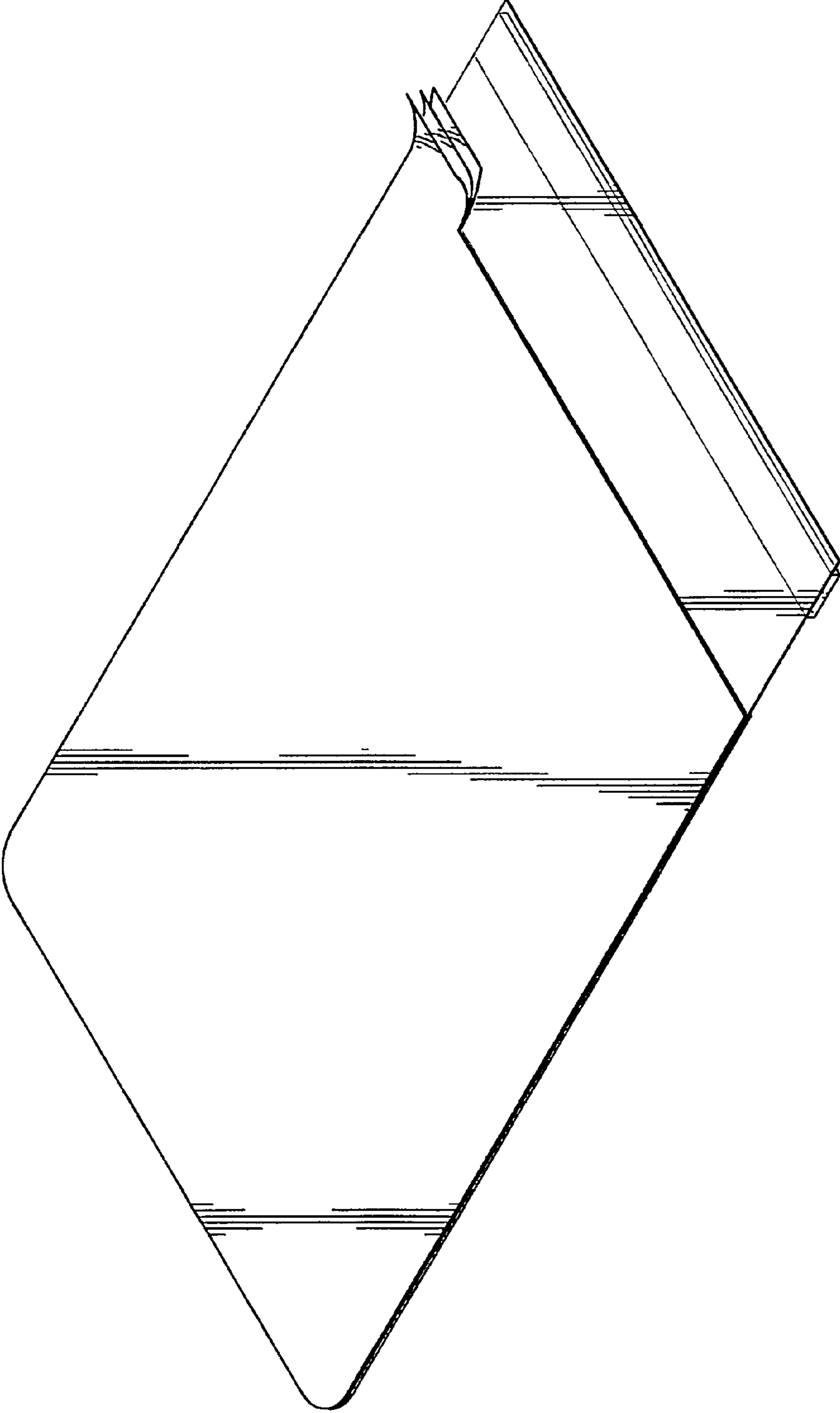


FIG. 1



FIG. 2



FIG. 3

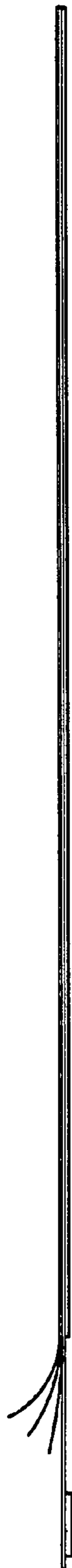


FIG. 4



FIG. 5

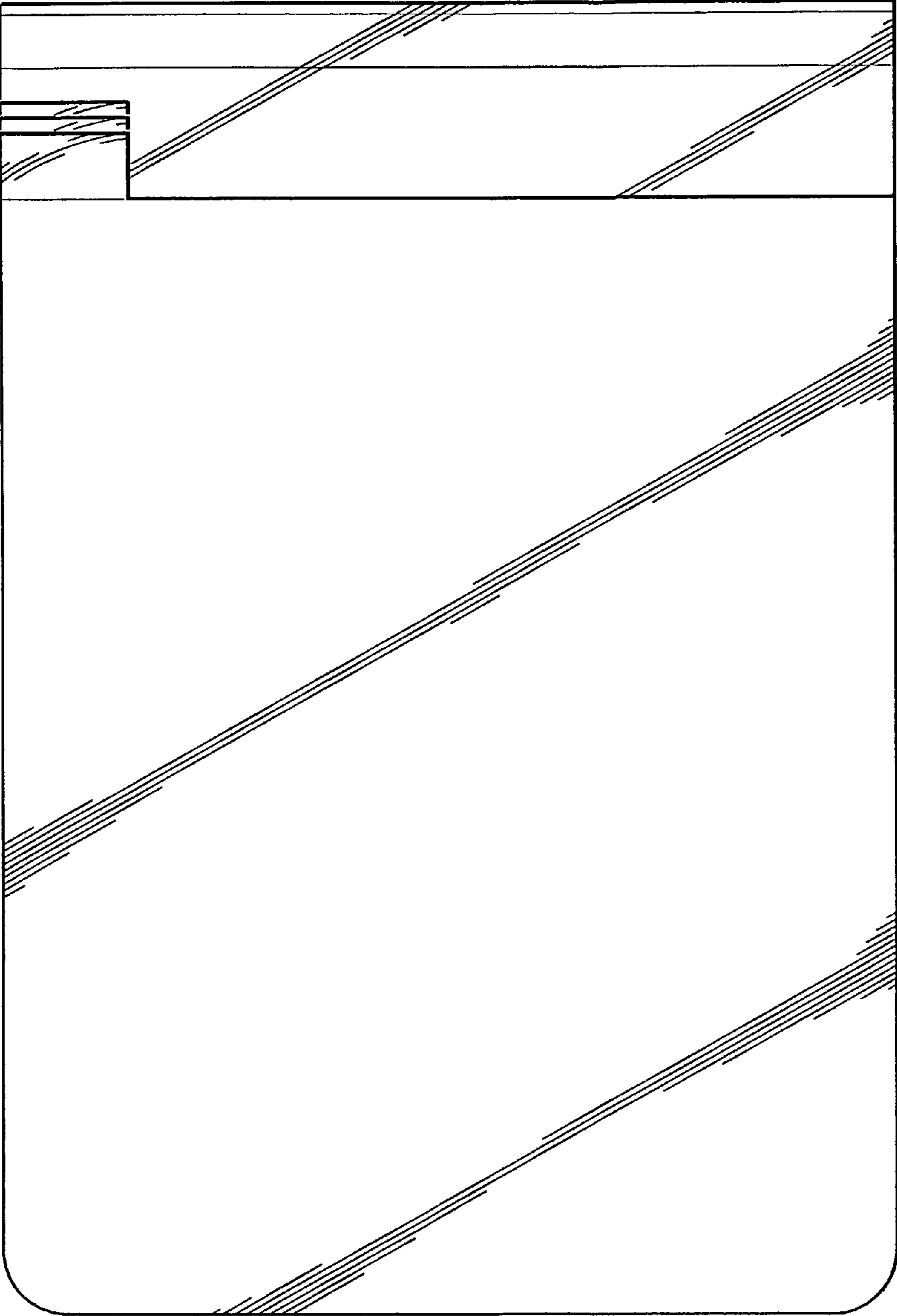


FIG. 6

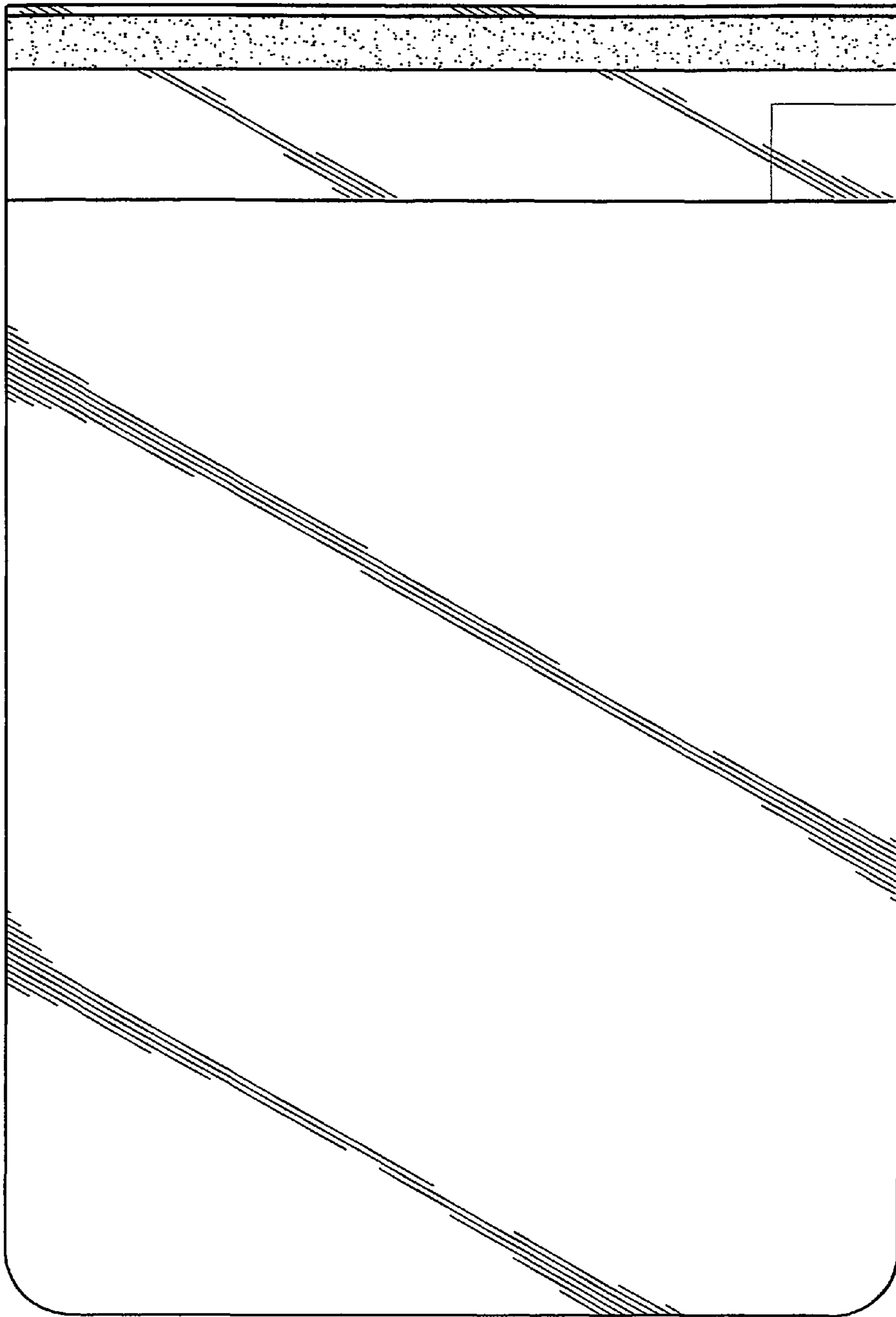


FIG. 7

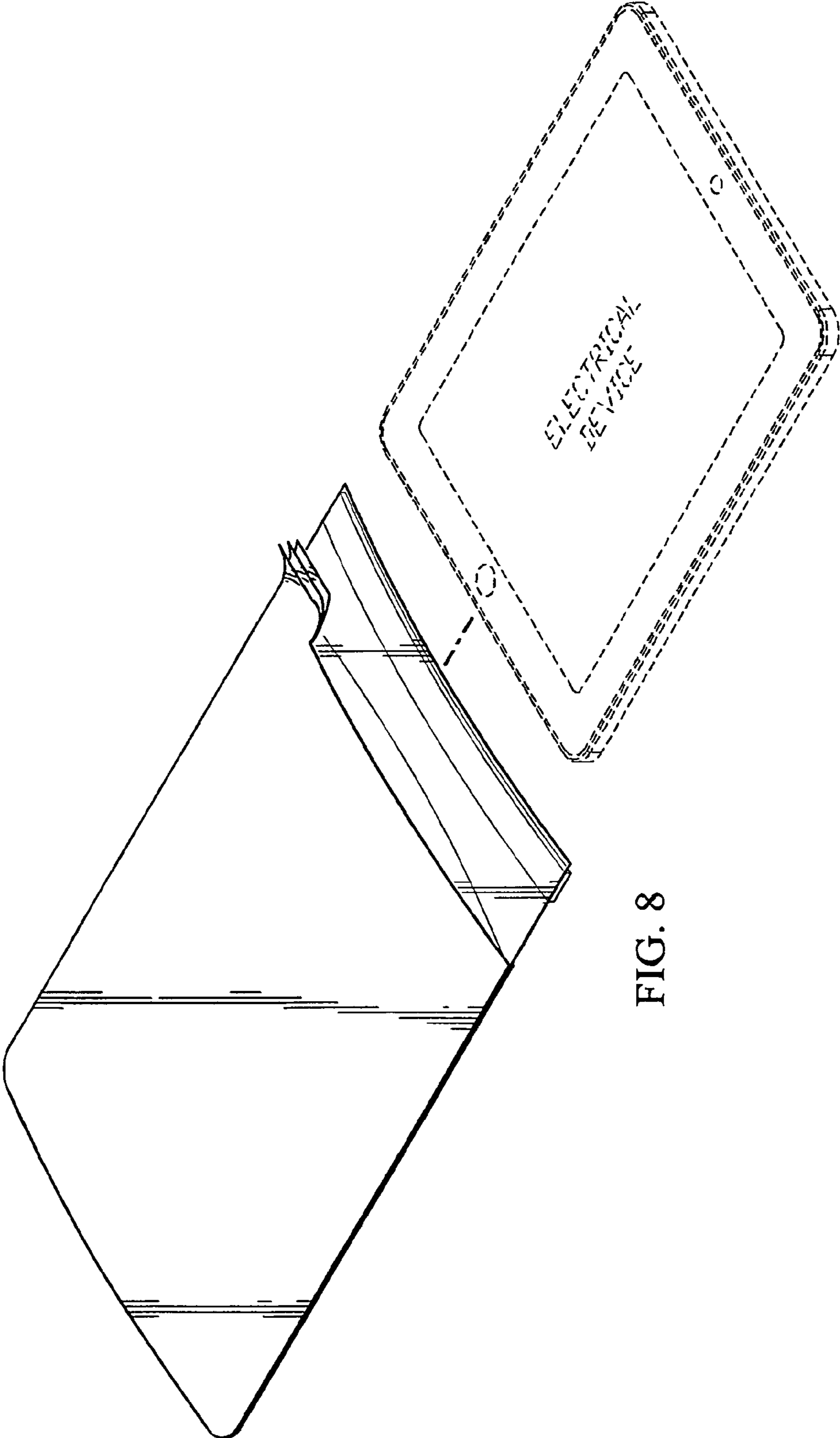


FIG. 8