



US00D727329S

(12) **United States Design Patent**  
**Johnson et al.**

(10) **Patent No.:** **US D727,329 S**

(45) **Date of Patent:** **\*\* Apr. 21, 2015**

(54) **COMPUTING DEVICE HOLDER**

(71) Applicant: **Toshiba Global Commerce Solutions Holdings Corporation**, Tokyo (JP)

(72) Inventors: **Brad M. Johnson**, Raleigh, NC (US);  
**Robert A. Myers**, Cary, NC (US);  
**William L. Talley**, Wake Forest, NC (US); **Seth T. Teeples**, Raleigh, NC (US)

(73) Assignee: **Toshiba Global Commerce Solutions Holdings Corporation**, Tokyo (JP)

(\*\*) Term: **14 Years**

(21) Appl. No.: **29/469,469**

(22) Filed: **Oct. 10, 2013**

(51) **LOC (10) Cl.** ..... **14-02**

(52) **U.S. Cl.**  
USPC ..... **D14/434**

(58) **Field of Classification Search**  
CPC ..... G06F 1/1632  
USPC ..... 248/371; D13/107, 108; D14/217, 224,  
D14/434, 447, 451; D6/672; 361/679.41,  
361/679.55

See application file for complete search history.

(56) **References Cited**

**U.S. PATENT DOCUMENTS**

D420,989 S *	2/2000	Sandhu et al.	.....	D14/447
D442,141 S *	5/2001	Ikenaga	.....	D13/107
D472,900 S *	4/2003	Matsumoto	.....	D14/447
D474,737 S *	5/2003	Yoshida	.....	D13/108
D487,897 S *	3/2004	Huang et al.	.....	D14/434
D511,520 S *	11/2005	Hussaini et al.	.....	D14/434
D512,066 S *	11/2005	Solomon et al.	.....	D14/434
D520,013 S *	5/2006	Yang	.....	D14/434
D540,802 S *	4/2007	Hussaini et al.	.....	D14/434
D552,611 S *	10/2007	Hagiwara et al.	.....	D14/434
D584,731 S *	1/2009	Montgomery et al.	.....	D14/434
D624,919 S *	10/2010	Bull	.....	D14/434
D635,918 S *	4/2011	Le et al.	.....	D13/108

D639,811 S *	6/2011	Hwang et al.	.....	D14/434
D647,520 S *	10/2011	Wikel	.....	D14/253
D650,783 S	12/2011	Ausfeld et al.		
D652,834 S *	1/2012	Jones et al.	.....	D14/434
D662,083 S *	6/2012	Akana et al.	.....	D14/217
D662,089 S *	6/2012	Gougherty et al.	.....	D14/224
D664,958 S *	8/2012	McManigal	.....	D14/434
D666,200 S *	8/2012	Tien	.....	D14/434

(Continued)

**OTHER PUBLICATIONS**

Tablet PC docking station; found at <[http://www.pclaunches.com/notebooks/tablet\\_pc\\_docking\\_station.php](http://www.pclaunches.com/notebooks/tablet_pc_docking_station.php)>.

(Continued)

*Primary Examiner* — Ian Simmons

*Assistant Examiner* — Harold Blackwell, II

(74) *Attorney, Agent, or Firm* — Olive Law Group, PLLC

(57) **CLAIM**

We claim the ornamental design for the computing device holder, as shown and described.

**DESCRIPTION**

The present application is related to U.S. Design Patent Applications titled “Computing Device Holder” and “Computing Device Holder and Dock,” each filed simultaneously herewith.

FIG. 1 shows a perspective view of the computing device holder;

FIG. 2 shows a front view thereof;

FIG. 3 shows a back view thereof;

FIG. 4 shows a bottom view thereof;

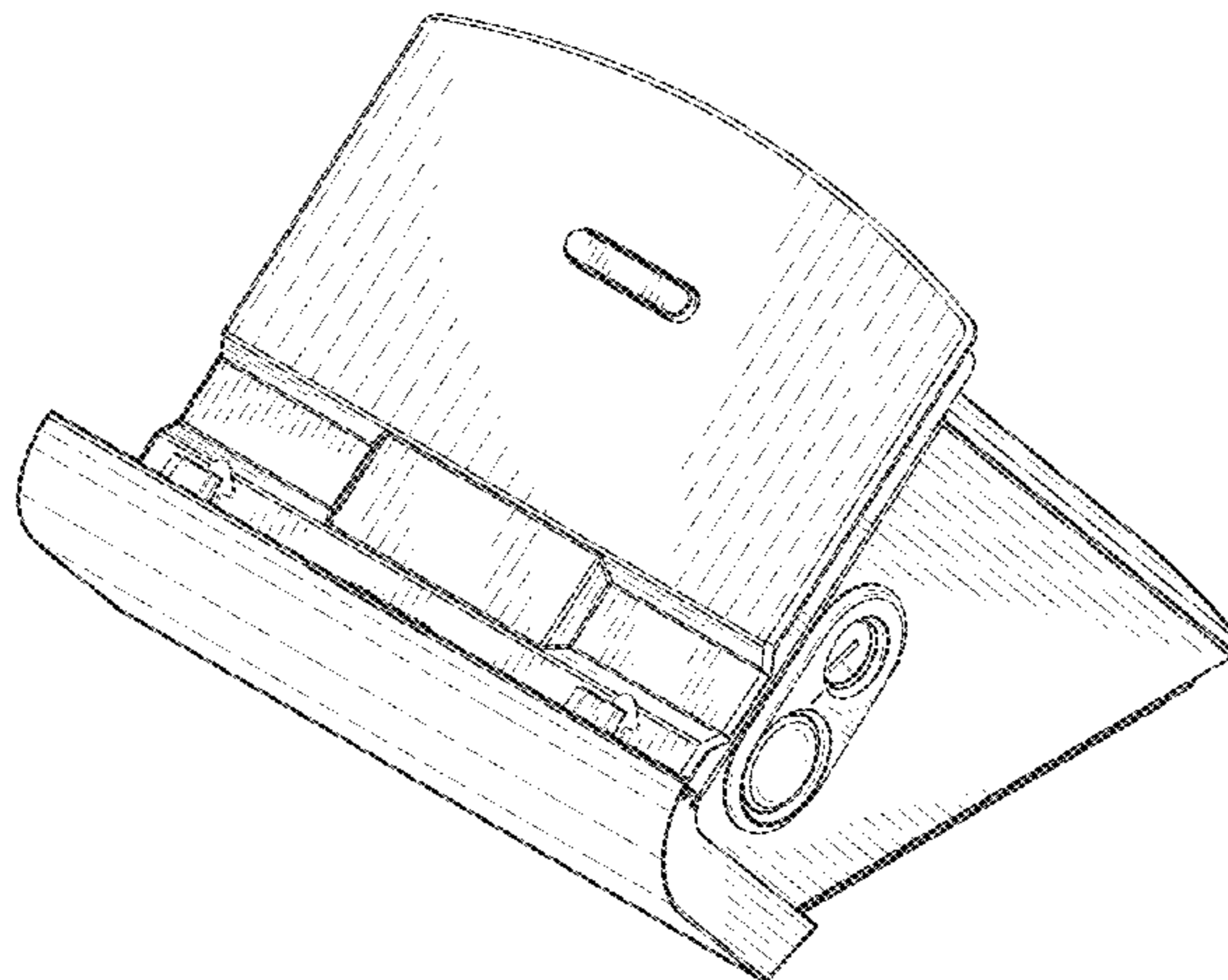
FIG. 5 shows a top view thereof;

FIG. 6 shows a side view thereof; and,

FIG. 7 shows a side view of the computing device holder that opposes the side view of FIG. 6.

The broken lines in the drawings illustrate unclaimed portions of the computing device holder and form no part of the claimed design.

**1 Claim, 7 Drawing Sheets**



(56)

**References Cited**

U.S. PATENT DOCUMENTS

D667,012	S *	9/2012	Chen et al. ....	D14/447
D673,567	S	1/2013	Yang	
D676,832	S *	2/2013	Akana et al. ....	D14/217
D680,118	S *	4/2013	Schmelling .....	D14/434
D686,595	S	7/2013	Andre et al.	
D689,057	S	9/2013	Waterman	
D693,607	S *	11/2013	Johnson et al. ....	D6/672
D693,815	S *	11/2013	Son .....	D14/434
2006/0250767	A1 *	11/2006	Brophy et al. ....	361/686
2007/0171239	A1	7/2007	Hunt et al.	
2013/0202269	A1	8/2013	Rossiter et al.	
2013/0229772	A1	9/2013	Thomas	
2013/0290591	A1 *	10/2013	Schwarzkopf et al. ....	710/303
2013/0320177	A1 *	12/2013	Chen et al. ....	248/371
2014/0049904	A1 *	2/2014	Hume .....	361/679.41

OTHER PUBLICATIONS

Acer Iconia Tab dock with remote; found at <<http://www.globalpc.co.nz/computers/Tablets/Tablet-Accessories/Product-Specification-LP20023.aspx>>.

Nexus 7 Official Dock Confirmed to Hit Europe Between Jan. 6-10; found at <<http://gadgetian.com/46748/nexus-7-official-dock-set-to-hit-europe-between-jan-6th-10th/>>.

Google Search results for “tablet docking station”, found at <<https://www.google.com/search?q=tablet+docking+station&tbm=isch&tbo=u&source=univ&sa=X&ei=VXVLUuqDHuX07Aa25IDwCA&sqi=2&ved=0CGEQsAQ&biw=1920&bih=948&dpr=1>>.

Google Search results for “tablet wraps”, found at <<https://www.google.com/search?q=tablet+wraps&tbm=isch&tbo=u&source=univ&sa=X&ei=xnZLUriKGKKQyAHk4ICwBA&ved=0CHkQsAQ&biw=1920&bih=948&dpr=1>>.

\* cited by examiner

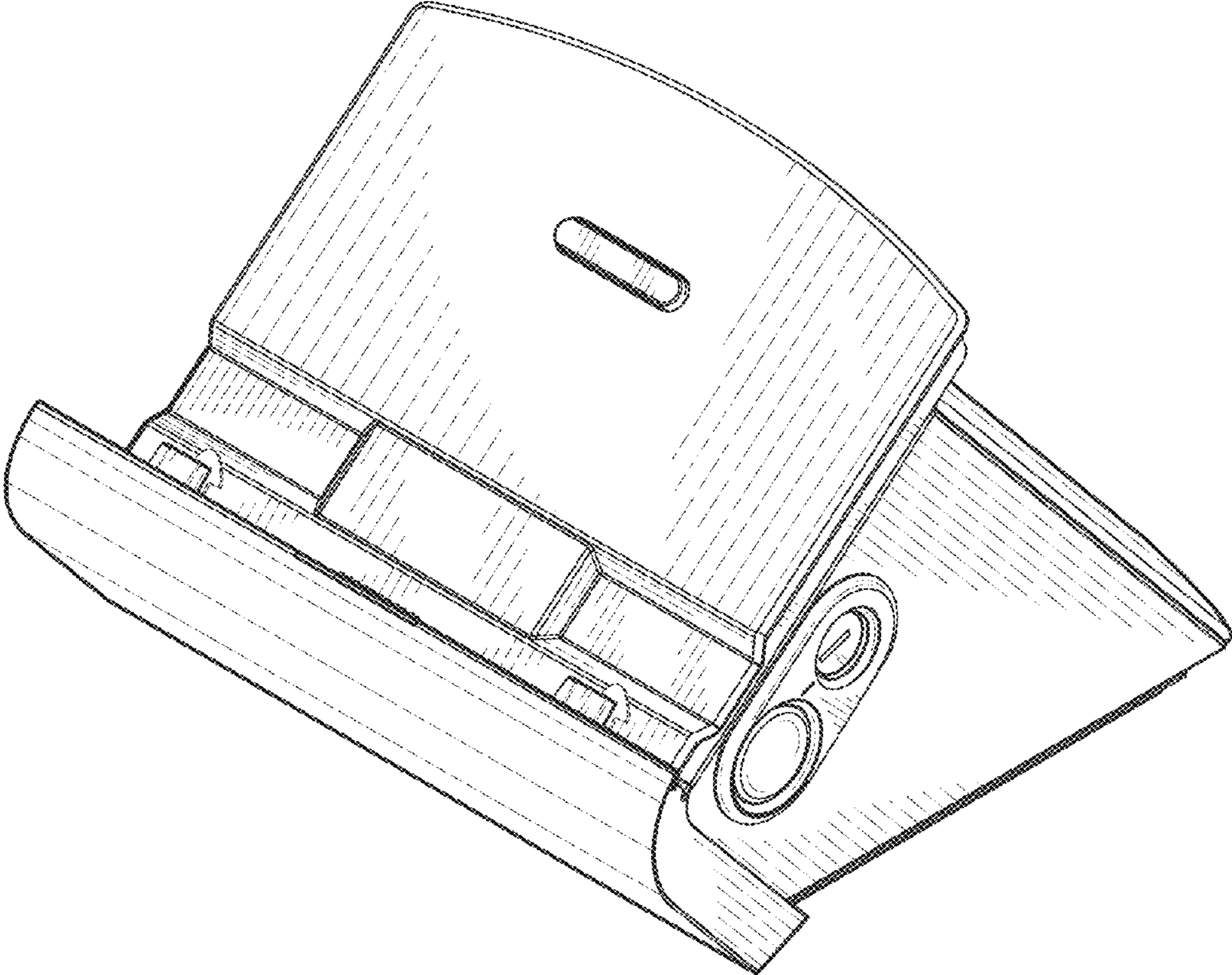


Fig. 1

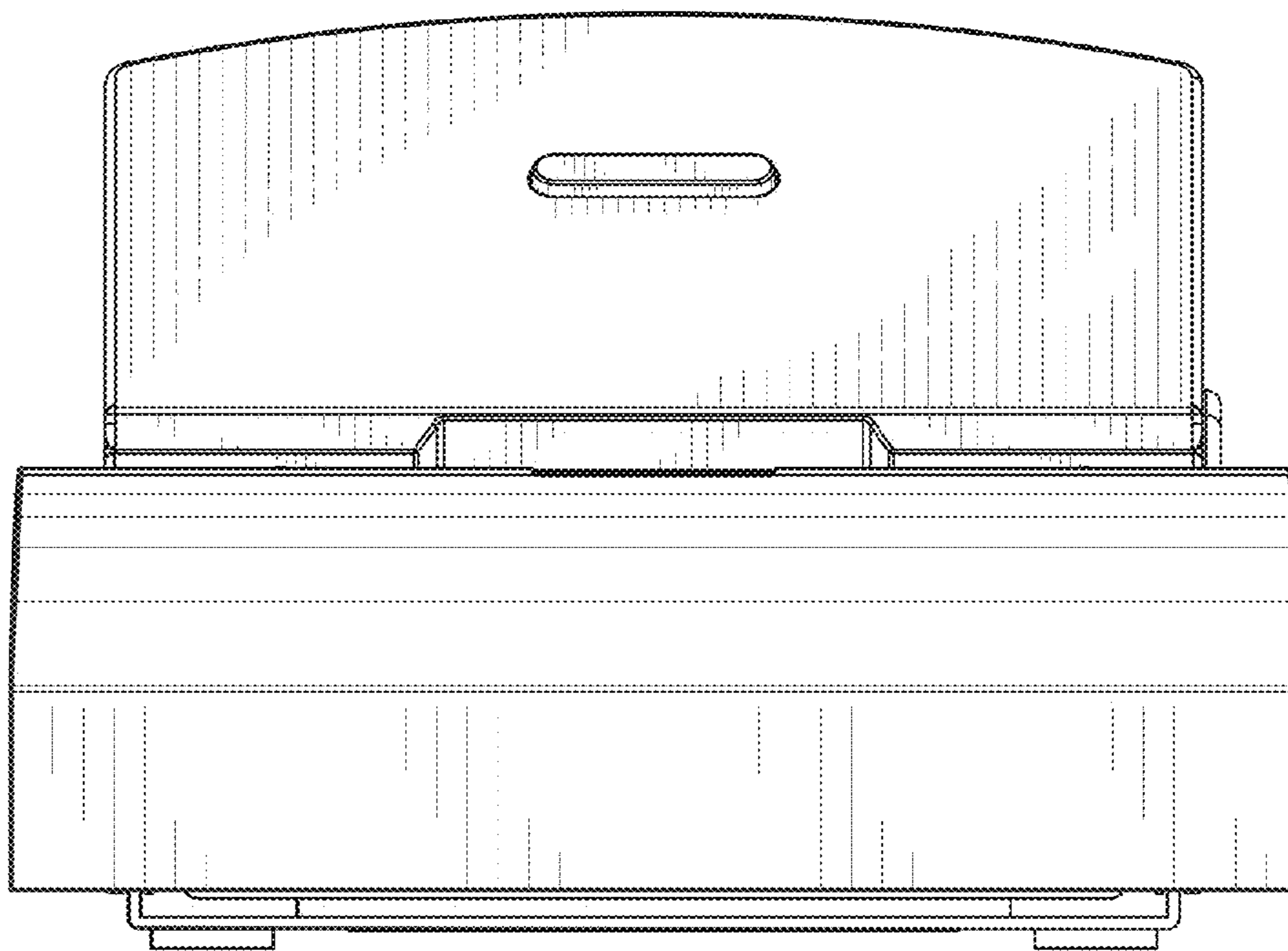


Fig. 2

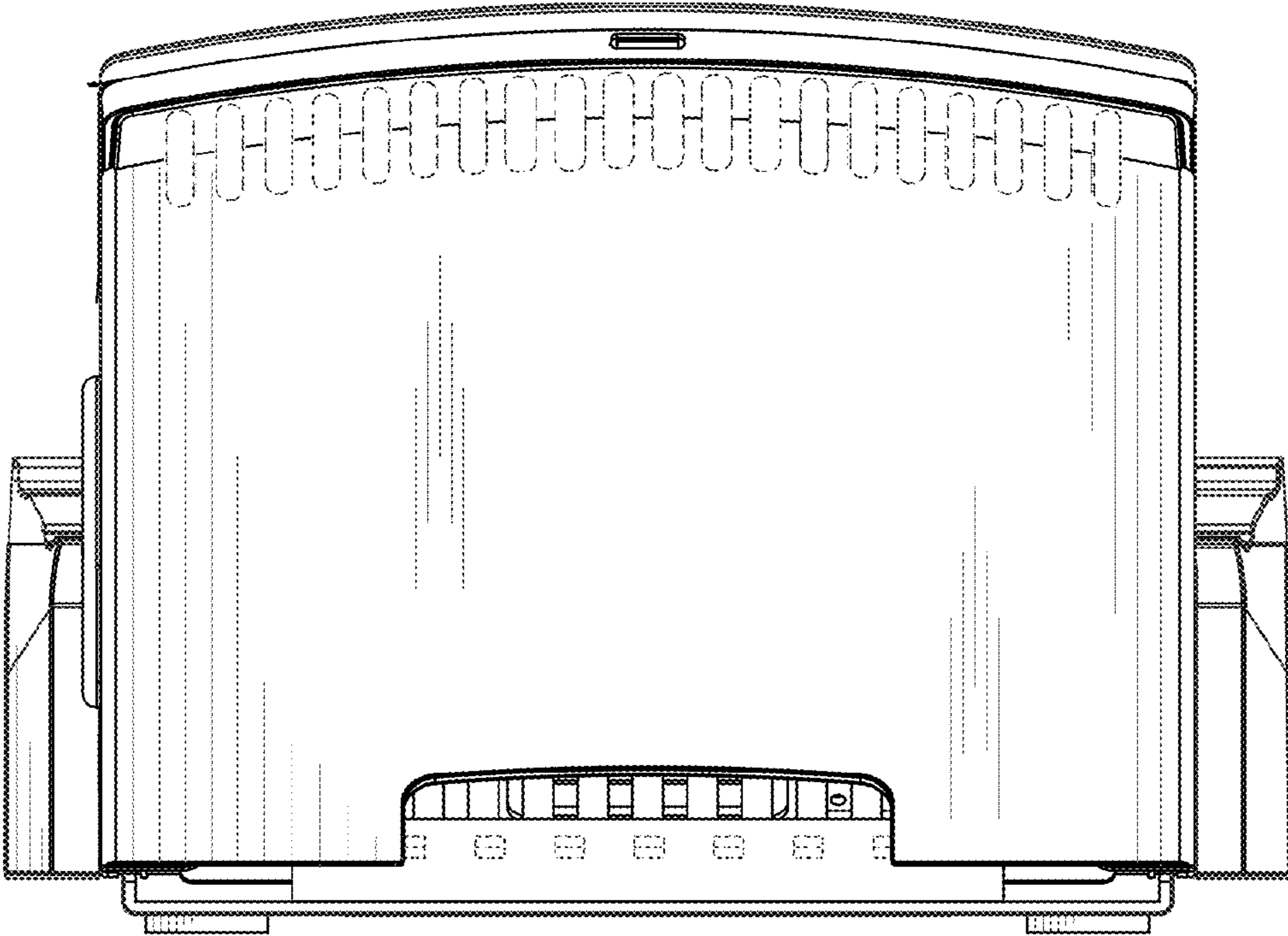


Fig. 3

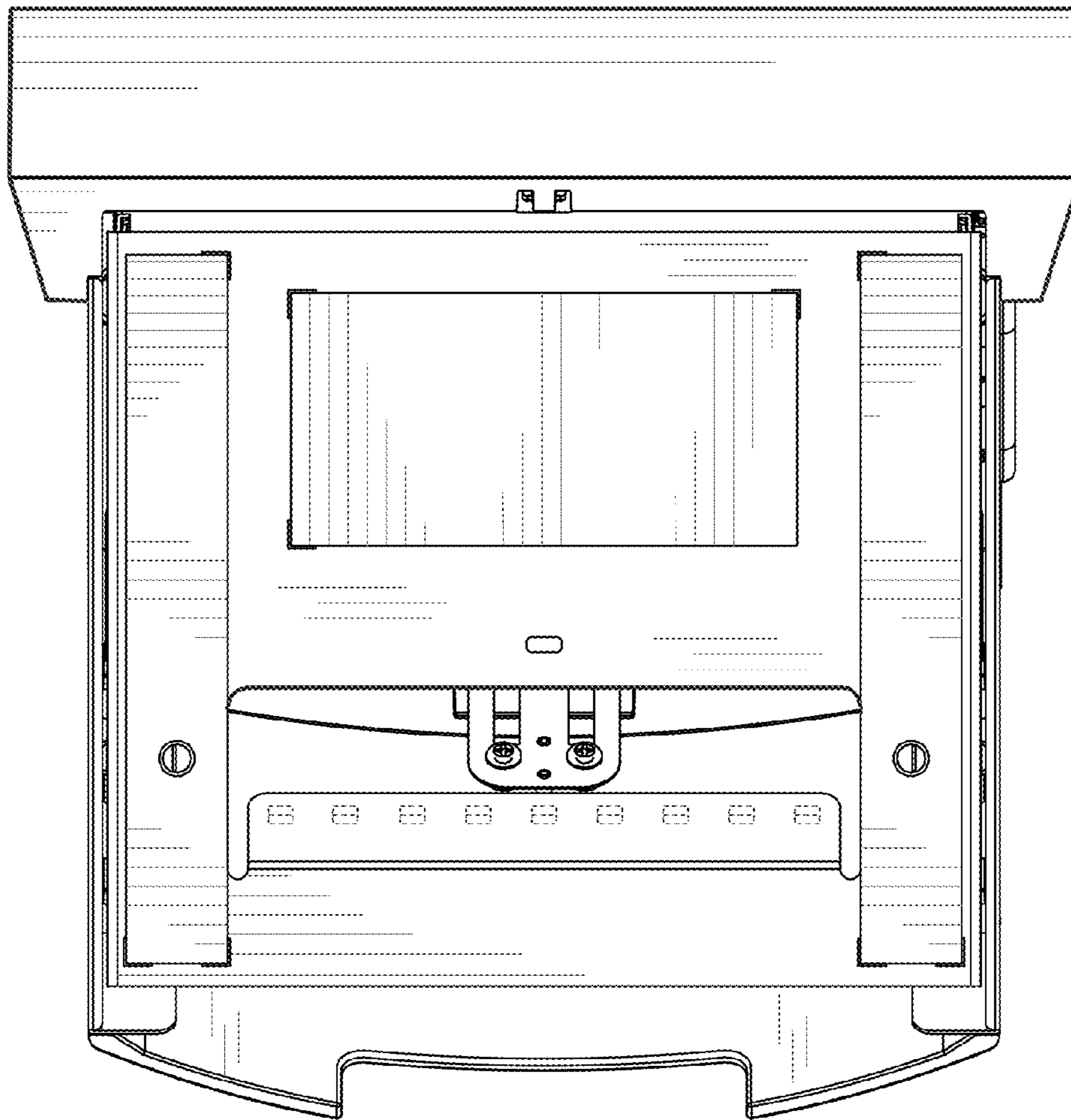


Fig. 4

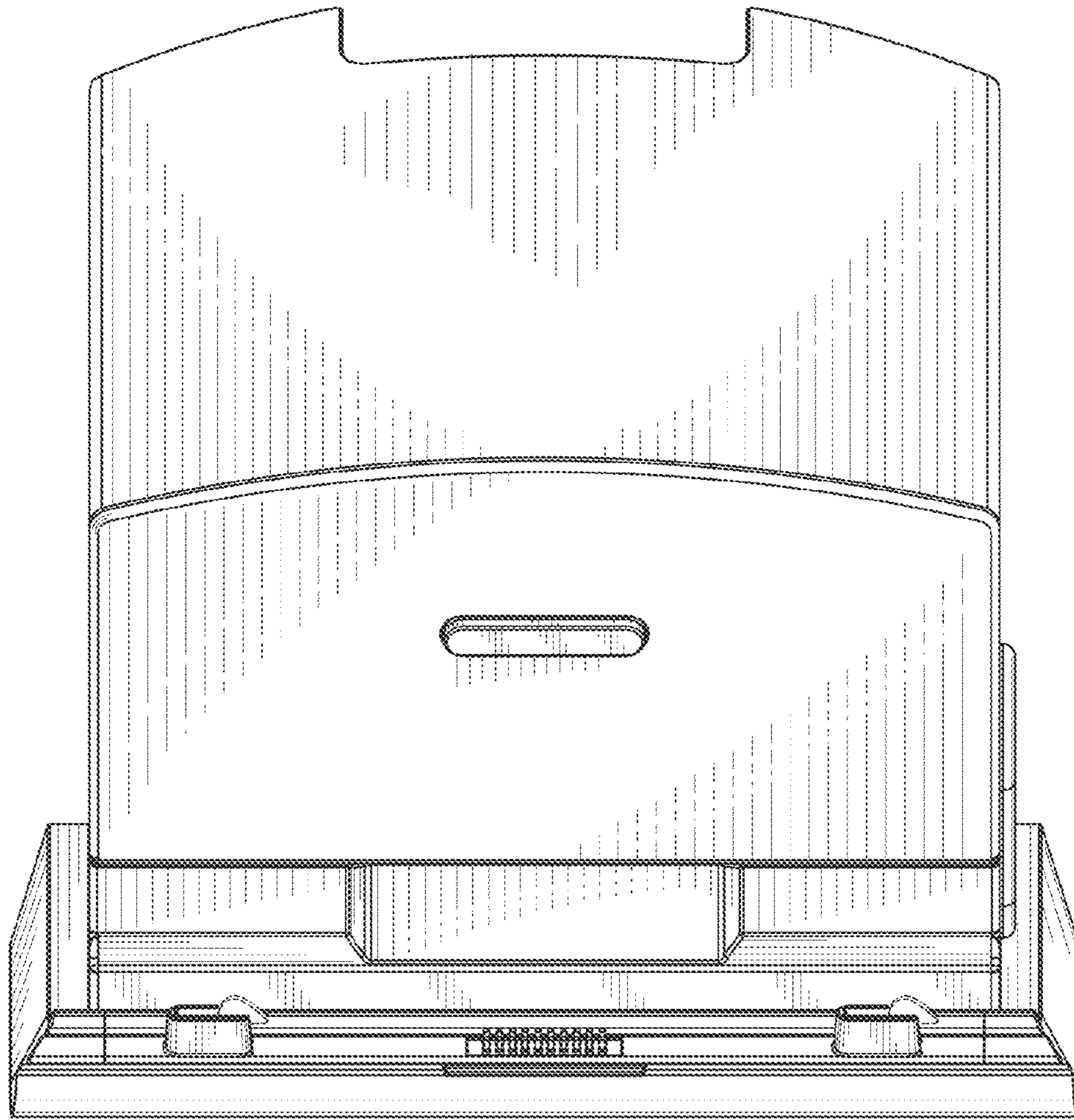


Fig. 5

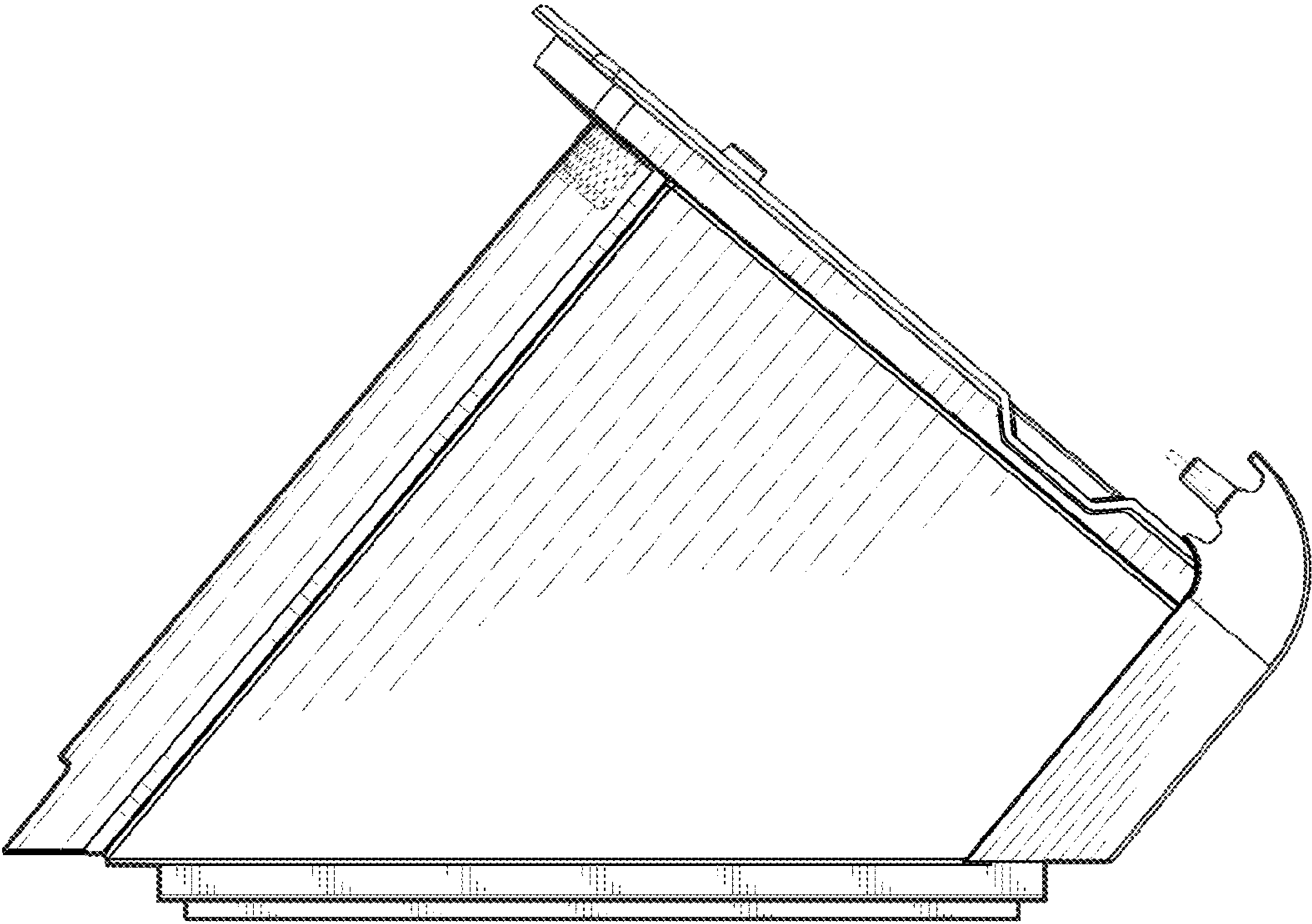


Fig. 6



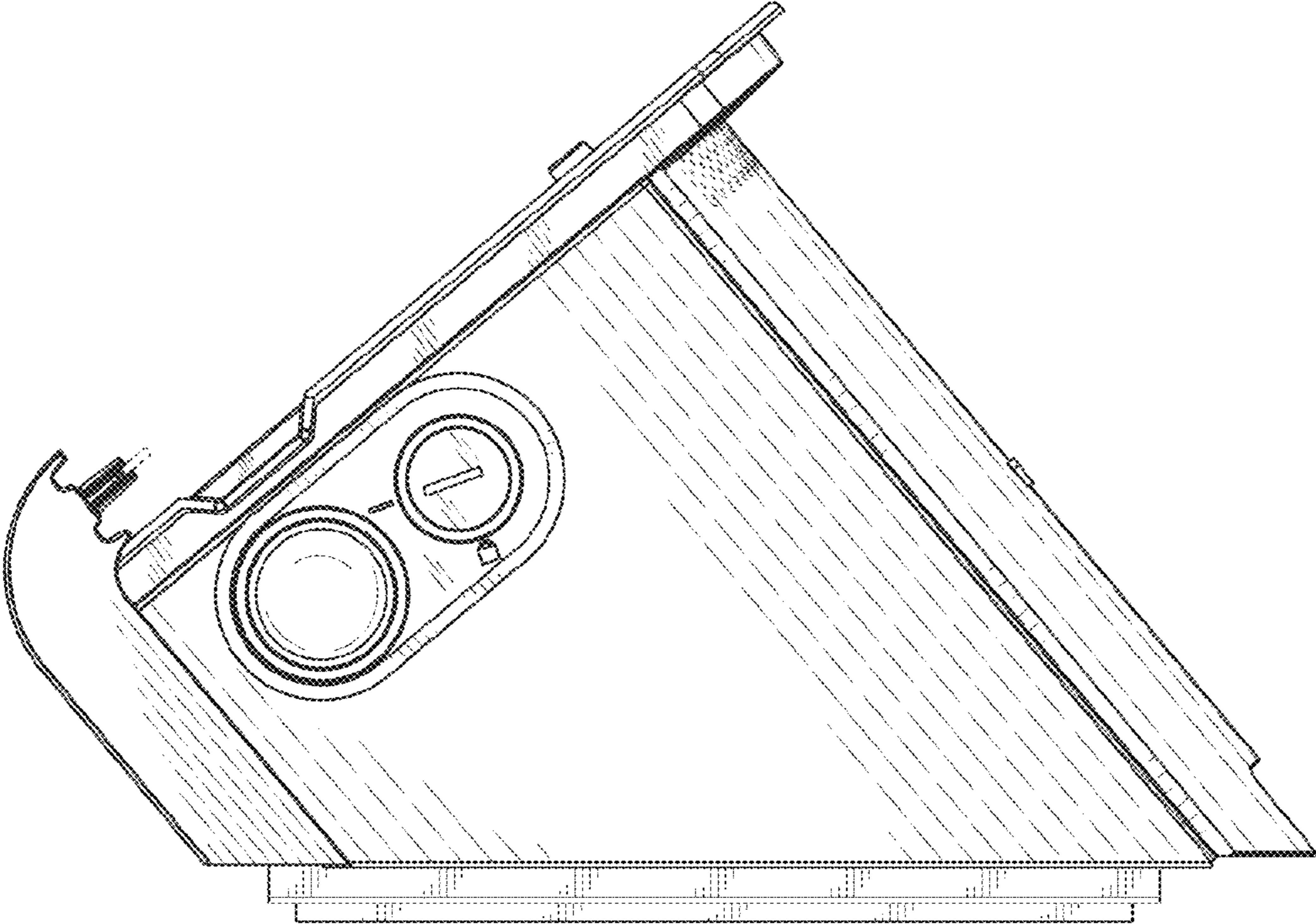


Fig. 7