



US00D727328S

(12) **United States Design Patent**
Nanno et al.

(10) **Patent No.:** **US D727,328 S**
(45) **Date of Patent:** **** Apr. 21, 2015**

(54) **SCANNER**

(71) Applicants: **Ai Nanno**, Nagoya (JP); **Tomoyuki Nanno**, Nagoya (JP)

(72) Inventors: **Ai Nanno**, Nagoya (JP); **Tomoyuki Nanno**, Nagoya (JP)

(73) Assignee: **Brother Industries, Ltd.**, Nagoya (JP)

(**) Term: **14 Years**

(21) Appl. No.: **29/486,408**

(22) Filed: **Mar. 28, 2014**

(30) **Foreign Application Priority Data**

Nov. 21, 2013 (JP) 2013-27246

(51) **LOC (10) Cl.** **14-02**

(52) **U.S. Cl.**
USPC **D14/421**

(58) **Field of Classification Search**
USPC D14/421-425; D18/55, 49, 46, 40,
D18/36-39, 41, 44, 45, 47, 48, 50-54, 56;
235/462, 455, 470, 462.43, 482, 483;
358/474, 486, 488, 496, 497, 498, 452,
358/449, 451, 453, 1.13; 318/685, 696;
355/81, 75; 399/405, 367, 379, 380;
382/217; 715/209, 222, 226, 274;
400/613, 613.1-613.4, 690.1-690.4,
400/691-694

See application file for complete search history.

(56) **References Cited**

U.S. PATENT DOCUMENTS

D277,579 S * 2/1985 Noonan D14/425
D286,048 S * 10/1986 Sutoh et al. D14/425
D290,705 S * 7/1987 Yomo D14/435
D293,794 S * 1/1988 Nakade D14/425
D295,750 S * 5/1988 Imai D14/422
D304,181 S * 10/1989 Kagayama et al. D14/424
D304,934 S * 12/1989 Koshino D14/425

D318,654 S * 7/1991 Huang D14/425
D328,594 S * 8/1992 Kobayashi D14/424
D334,304 S * 3/1993 Gilman D6/449
D340,233 S * 10/1993 Takahashi D14/425
5,295,014 A * 3/1994 Toda 359/202.1
D350,733 S * 9/1994 Masujima D14/425
D355,382 S * 2/1995 Long et al. D10/49
D376,787 S * 12/1996 Calfee D14/451
6,078,407 A * 6/2000 Ma 358/474
D478,910 S * 8/2003 Khovaylo et al. D14/425
D484,532 S * 12/2003 Seo et al. D18/50
D491,220 S * 6/2004 Whitehorn et al. D18/50
6,771,399 B1 * 8/2004 Batten 358/497
D513,260 S * 12/2005 Ke et al. D14/425
7,019,872 B2 * 3/2006 Haas et al. 358/494
D519,151 S * 4/2006 Tashiro D18/54
D524,319 S * 7/2006 Zamanian D14/447
D532,786 S * 11/2006 Iseki D14/365
D551,231 S * 9/2007 Sekine et al. D14/424
D558,823 S * 1/2008 Alfonso et al. D18/55
D562,589 S * 2/2008 Mellon D6/449

(Continued)

OTHER PUBLICATIONS

Design U.S. Appl. No. 29/484,021, filed Mar. 5, 2014 in the name of Yusaku Seki et al.

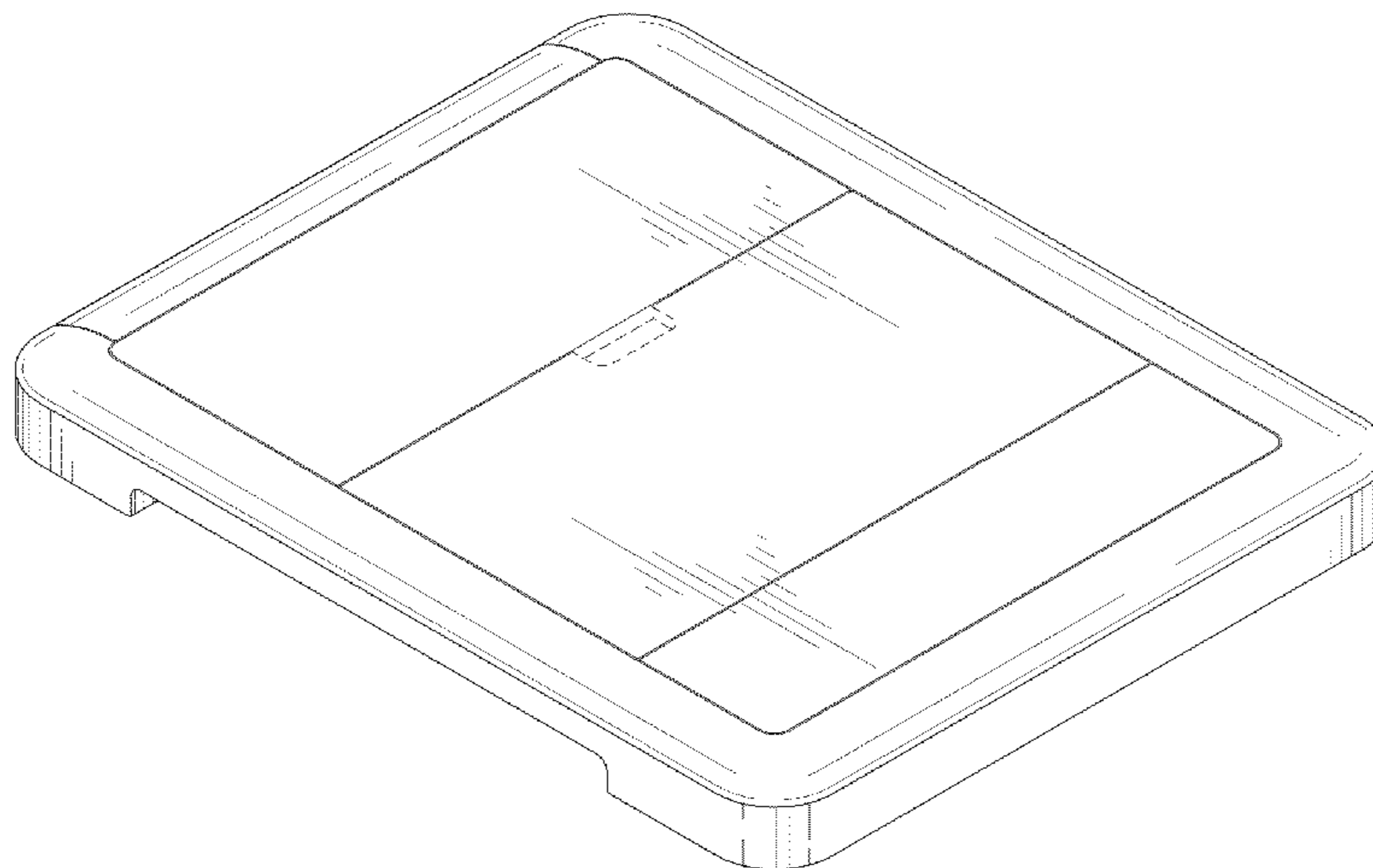
Primary Examiner — Susan Moon Lee
(74) *Attorney, Agent, or Firm* — Oliff PLC

(57) **CLAIM**
The ornamental design for a scanner, as shown and described.

DESCRIPTION

FIG. 1 is a perspective view of a scanner;
FIG. 2 is a front view thereof;
FIG. 3 is a top view thereof;
FIG. 4 is a right-side view thereof;
FIG. 5 is a left-side view thereof;
FIG. 6 is a rear view thereof; and,
FIG. 7 is a bottom view thereof.
Broken lines and unshaded portions entirely contained within broken line are not claimed.

1 Claim, 4 Drawing Sheets



(56)

References Cited

U.S. PATENT DOCUMENTS

| | | | | | |
|--------------|------|---------|------------------|-------|------------|
| D563,461 | S * | 3/2008 | Kobayashi et al. | | D18/50 |
| D584,346 | S * | 1/2009 | Sumi | | D18/50 |
| D586,384 | S * | 2/2009 | Yamaguchi et al. | | D18/55 |
| D599,797 | S * | 9/2009 | Kim | | D14/383 |
| D605,222 | S * | 12/2009 | Yoshioka et al. | | D18/55 |
| D613,791 | S * | 4/2010 | Yoshioka et al. | | D18/55 |
| D614,234 | S * | 4/2010 | Ishikawa et al. | | D18/55 |
| D614,693 | S * | 4/2010 | Kato et al. | | D18/50 |
| 7,722,033 | B2 * | 5/2010 | Matsumoto et al. | | 271/162 |
| D617,341 | S * | 6/2010 | Kim et al. | | D14/501 |
| D643,462 | S * | 8/2011 | Yamashita et al. | | D18/50 |
| D643,822 | S * | 8/2011 | Crosby et al. | | D14/125 |
| D645,896 | S | 9/2011 | Iwai et al. | | |
| D648,377 | S * | 11/2011 | Miyauchi et al. | | D18/50 |
| D648,379 | S * | 11/2011 | Ishikawa et al. | | D18/50 |
| D649,183 | S * | 11/2011 | Miyauchi et al. | | D18/50 |
| D665,013 | S * | 8/2012 | Ishikawa et al. | | D18/50 |
| D665,015 | S * | 8/2012 | Matsuno et al. | | D18/50 |
| D667,050 | S * | 9/2012 | Takeuchi | | D18/50 |
| D667,051 | S * | 9/2012 | Sato | | D18/50 |
| D669,082 | S | 10/2012 | Sato | | |
| D674,011 | S * | 1/2013 | Sato | | D18/55 |
| D675,673 | S * | 2/2013 | Sato | | D18/50 |
| D675,674 | S * | 2/2013 | Sato | | D18/50 |
| 8,368,976 | B2 * | 2/2013 | Hsu | | 358/498 |
| 8,379,278 | B2 * | 2/2013 | Kawai | | 358/498 |
| D678,402 | S * | 3/2013 | Sato | | D18/50 |
| D681,721 | S * | 5/2013 | Iwai et al. | | D18/50 |
| D682,282 | S * | 5/2013 | Steinfeld | | D14/447 |
| 8,503,049 | B2 * | 8/2013 | Kattou et al. | | 358/498 |
| D695,295 | S * | 12/2013 | Chumanov et al. | | D14/433 |
| D699,725 | S * | 2/2014 | Sato et al. | | D14/421 |
| 8,659,807 | B2 * | 2/2014 | Hara et al. | | 358/497 |
| D705,781 | S * | 5/2014 | Yin et al. | | D14/421 |
| 2002/0056957 | A1 * | 5/2002 | Sekine | | 271/3.14 |
| 2005/0063024 | A1 * | 3/2005 | Wang | | 358/494 |
| 2008/0084589 | A1 * | 4/2008 | Malzbender | | 358/493 |
| 2009/0315253 | A1 * | 12/2009 | Osakabe et al. | | 271/121 |
| 2011/0199654 | A1 * | 8/2011 | Takata | | 358/498 |
| 2011/0299134 | A1 * | 12/2011 | Shimoyama et al. | | 358/474 |
| 2011/0317226 | A1 * | 12/2011 | Gu et al. | | 358/474 |
| 2012/0019876 | A1 * | 1/2012 | Murray | | 358/474 |
| 2012/0086967 | A1 * | 4/2012 | Hara et al. | | 358/1.13 |
| 2012/0086988 | A1 * | 4/2012 | Hara et al. | | 358/296 |
| 2012/0105920 | A1 * | 5/2012 | Murray | | 358/474 |
| 2012/0120461 | A1 * | 5/2012 | Oshima et al. | | 358/474 |
| 2013/0083336 | A1 * | 4/2013 | Miura et al. | | 358/1.12 |
| 2013/0083376 | A1 * | 4/2013 | Miura et al. | | 358/498 |
| 2013/0188001 | A1 * | 7/2013 | Kimura et al. | | 347/108 |
| 2013/0235433 | A1 * | 9/2013 | Osakabe et al. | | 358/474 |
| 2013/0235436 | A1 * | 9/2013 | Osakabe et al. | | 358/498 |
| 2014/0008865 | A1 * | 1/2014 | Takahata | | 271/264 |
| 2014/0009799 | A1 * | 1/2014 | Miura et al. | | 358/474 |
| 2014/0029066 | A1 * | 1/2014 | Liu et al. | | 358/474 |
| 2014/0139986 | A1 * | 5/2014 | Osakabe et al. | | 361/679.01 |
| 2014/0151959 | A1 * | 6/2014 | Oyamada et al. | | 271/264 |

* cited by examiner

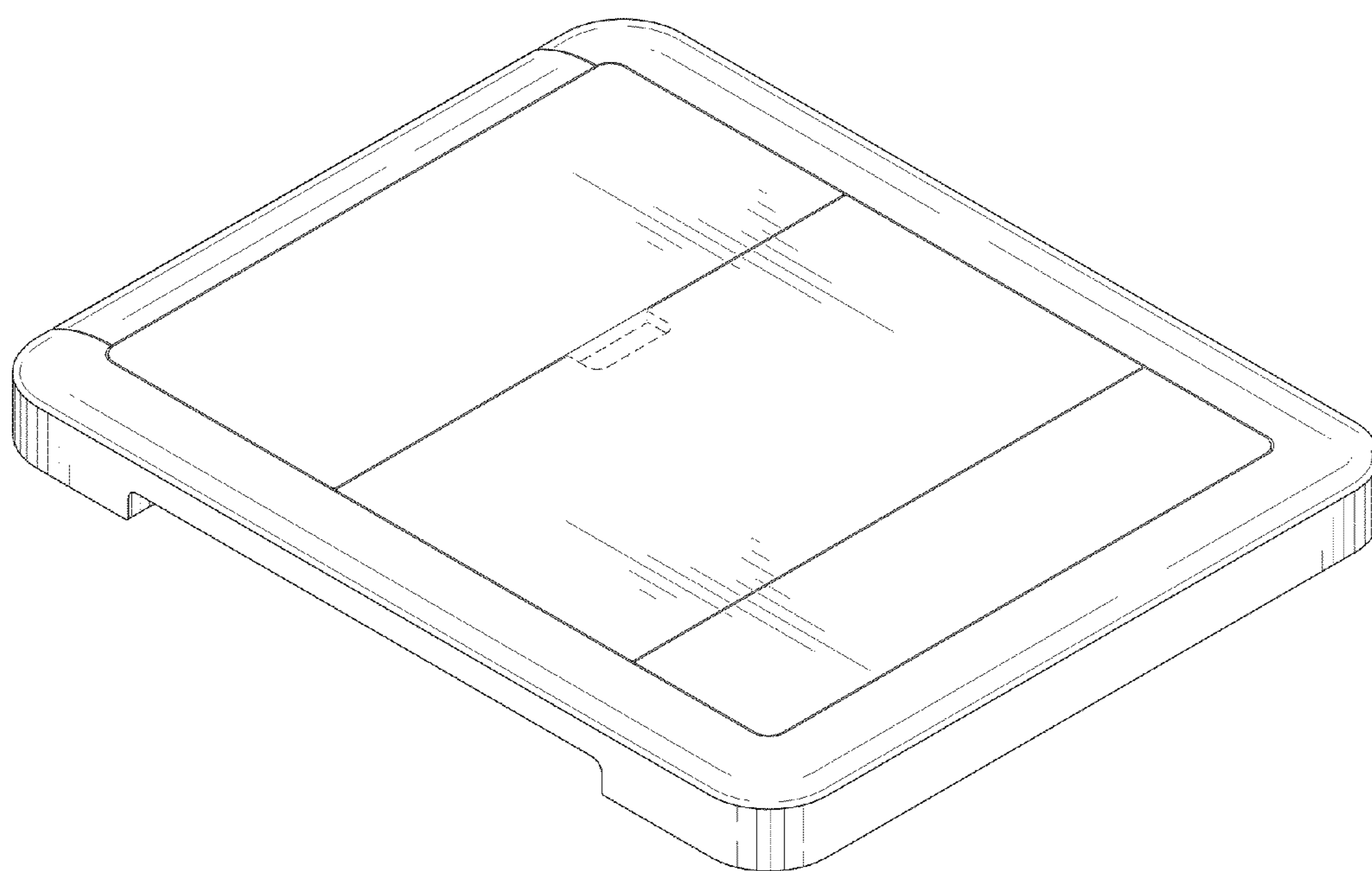


FIG. 1

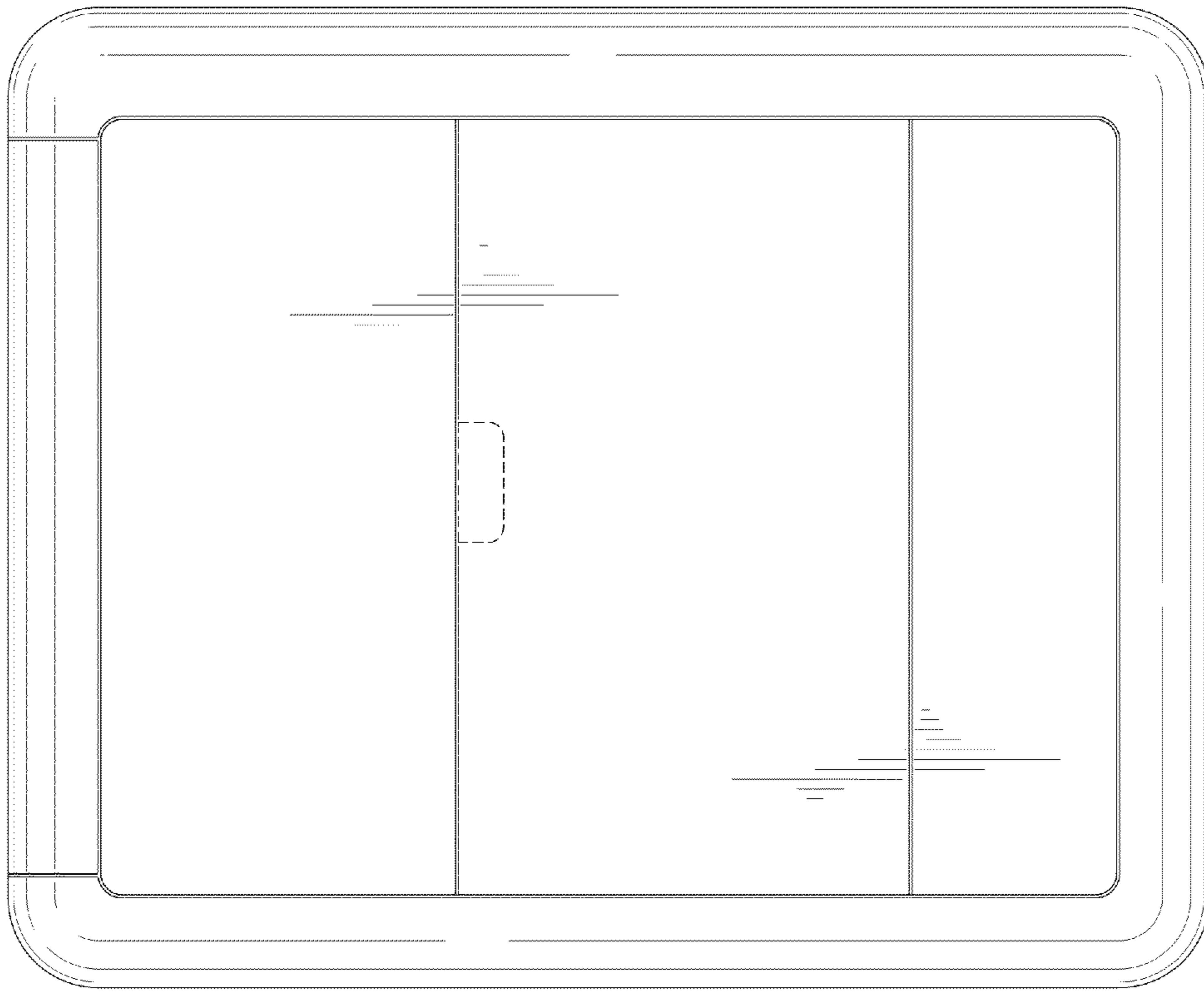


FIG. 3

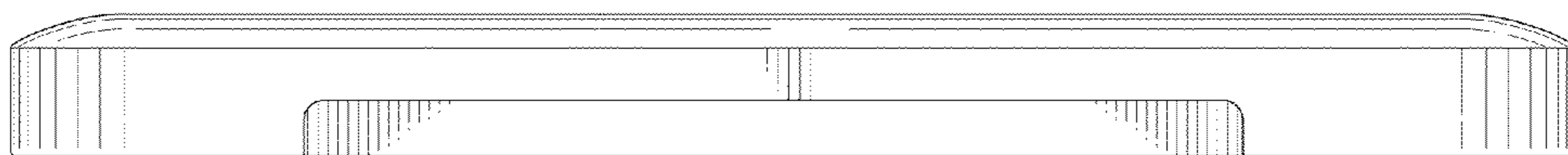


FIG. 2

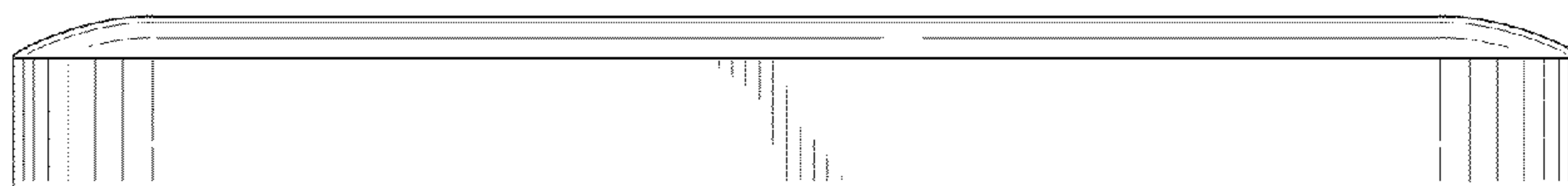


FIG. 4

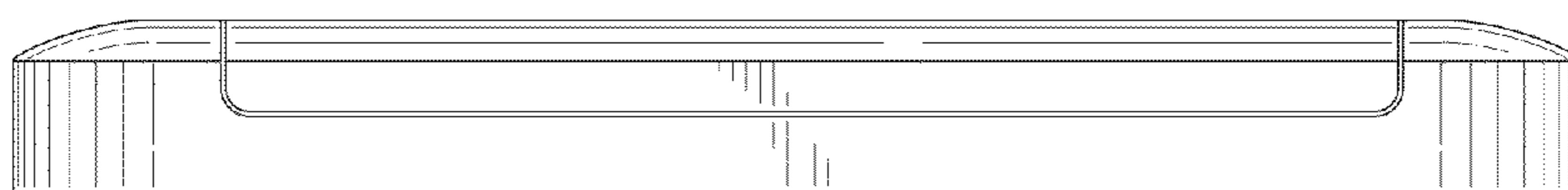


FIG. 5

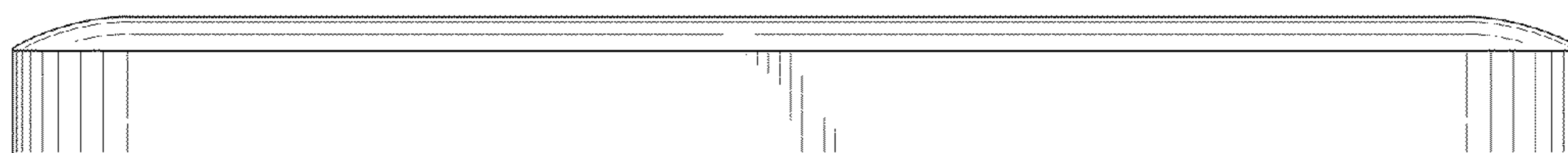


FIG. 6

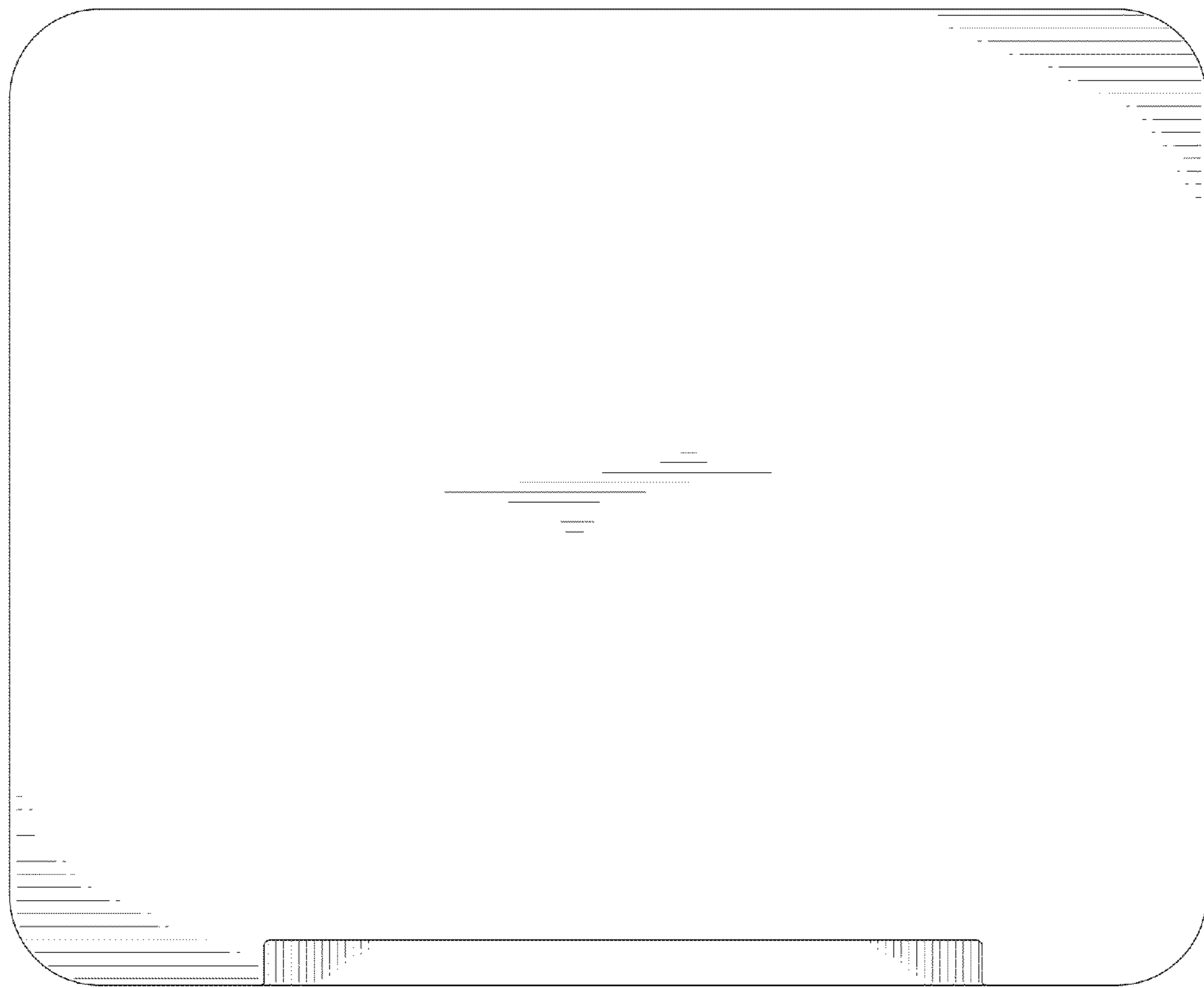


FIG. 7