



US00D727327S

(12) **United States Design Patent**
Quilter et al.

(10) **Patent No.:** **US D727,327 S**
(45) **Date of Patent:** **** Apr. 21, 2015**

(54) **COMPACT STAND WITH MOBILE SCANNER**

(71) Applicant: **Compliance Software, Inc.**, Salt Lake City, UT (US)

(72) Inventors: **Eric J. Quilter**, Park City, UT (US);
Kurt Bothner, Park City, UT (US);
James Steven Buckmiller, Salt Lake City, UT (US); **Scott M. Clark**, Cape Elizabeth, ME (US)

(73) Assignee: **Compliance Software, Inc.**, Salt Lake City, UT (US)

(**) Term: **14 Years**

(21) Appl. No.: **29/473,499**

(22) Filed: **Nov. 22, 2013**

(51) **LOC (10) Cl.** **14-02**

(52) **U.S. Cl.**
USPC **D14/420**

(58) **Field of Classification Search**
USPC D14/420-423, 385, 453; 433/222.1, 433/223, 213-215, 73, 24, 29, 37, 202.1; 700/98, 97, 118, 161, 163, 182; 264/16, 17, 19, 219, 225; 374/1; 707/104.1; 249/54; 600/590; D20/1-9; 194/205, 206, 244, 321, 345, 346, 350; D18/3.3, 4.4, 12, 49; D99/28, 43; 235/381

See application file for complete search history.

(56) **References Cited**

U.S. PATENT DOCUMENTS

D182,402 S *	4/1958	Corbett	D32/2
D184,606 S *	3/1959	Cramer et al.	D7/309
D185,833 S *	8/1959	Bruntjen	D7/311
D212,317 S *	9/1968	Haussam	D7/309
D228,331 S *	9/1973	Julkenbeck	D7/309
D234,114 S *	1/1975	Bergmann et al.	D7/309

D234,901 S *	4/1975	Mantelet	D7/309
D243,308 S *	2/1977	Harms et al.	D7/309
D244,824 S *	6/1977	Bluestein	D7/309
D254,285 S *	2/1980	Lee et al.	D7/309
D262,822 S *	1/1982	Schindler	D24/232
D265,041 S *	6/1982	Lee et al.	D7/309
D266,794 S *	11/1982	Puskas et al.	D32/1
D274,029 S *	5/1984	Daugherty	D7/309
D274,400 S *	6/1984	Muller	D7/309
D283,778 S *	5/1986	Jack	D7/309
D287,212 S *	12/1986	Daugherty	D7/309
D287,690 S *	1/1987	Steinkamp	D7/309
D288,888 S *	3/1987	Baron	D7/311
D291,766 S *	9/1987	Steinkamp et al.	D7/309
D292,468 S *	10/1987	Ryan, Jr.	D7/309
4,799,599 A *	1/1989	Herrmann	215/307
D300,105 S *	3/1989	Klein	D7/309
D300,597 S *	4/1989	Pandolfi	D7/309
D300,677 S *	4/1989	Van Hoyer	D32/1
D300,809 S *	4/1989	Schwartz	D10/78
D302,292 S *	7/1989	Snow	D24/232
D315,815 S *	3/1991	Miller	D32/1
D317,546 S *	6/1991	Rakocy et al.	D7/309

(Continued)

Primary Examiner — Susan Moon Lee

(74) *Attorney, Agent, or Firm* — Workman Nydegger

(57) **CLAIM**

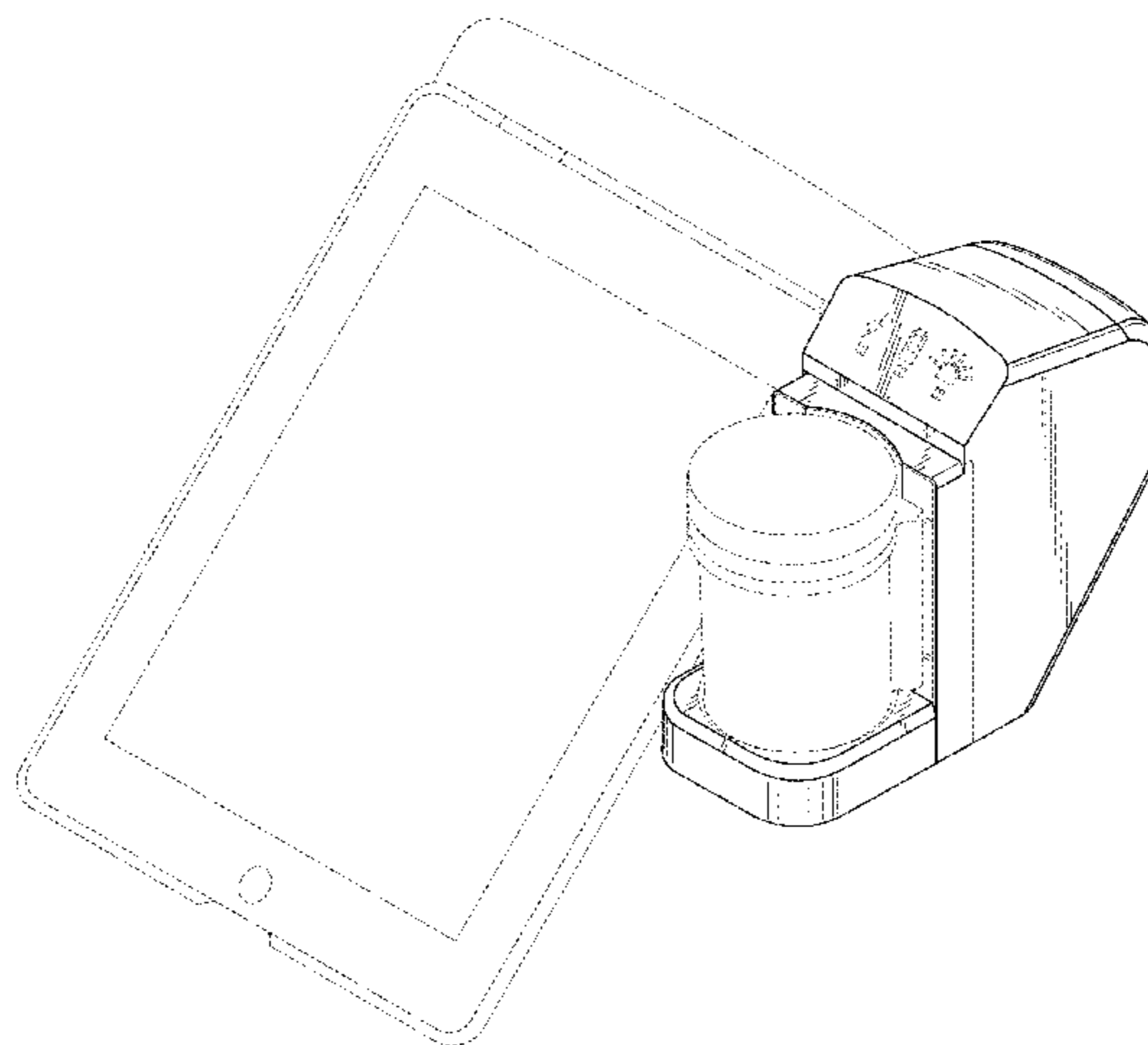
The ornamental design for a compact stand with mobile scanner, as shown and described.

DESCRIPTION

FIG. 1 is a perspective view of a compact stand with mobile scanner incorporating our new design; FIG. 2 is a front elevational view thereof; FIG. 3 is a rear elevational view thereof; FIG. 4 is a left-side elevational view thereof; FIG. 5 is a right-side elevational view thereof; FIG. 6 is a top plan view thereof; and, FIG. 7 is a bottom plan view thereof.

Broken lines and entirely unshaded portions contained within broken lines are not claimed.

1 Claim, 7 Drawing Sheets



(56)

References Cited

U.S. PATENT DOCUMENTS

- D324,746 S * 3/1992 Accattato D32/1
D325,091 S * 3/1992 Holbl D24/232
D334,237 S * 3/1993 Collister et al. D24/232
D339,639 S * 9/1993 Ohnuma et al. D24/232
D347,479 S * 5/1994 Hansen et al. D24/224
D351,150 S * 10/1994 Bontly et al. D14/423
D354,051 S * 1/1995 Hasegawa D14/423
D354,070 S * 1/1995 Chen D24/218
D359,357 S * 6/1995 Bigler et al. D24/186
D359,361 S * 6/1995 Swift D24/224
D373,830 S * 9/1996 LaBarbera et al. D24/232
D376,353 S * 12/1996 Neilson et al. D14/420
D378,916 S * 4/1997 Kanno et al. D14/420
D381,976 S * 8/1997 Sandor et al. D14/420
D384,651 S * 10/1997 Sandor et al. D14/423
D387,429 S * 12/1997 Murrell et al. D24/232
D388,404 S * 12/1997 Kinnunen et al. D14/423
D396,850 S * 8/1998 Ito D14/420
D400,673 S * 11/1998 Kheiri et al. D24/107
D402,768 S * 12/1998 Paoli et al. D24/232
D406,900 S * 3/1999 Murrell et al. D24/232
D408,206 S * 4/1999 Stafford et al. D7/306
D408,806 S * 4/1999 Schmidt et al. D14/420
D438,983 S * 3/2001 Stein D24/232
D444,601 S * 7/2001 Minagawa et al. D32/1
D457,646 S * 5/2002 Hool et al. D24/232
D457,885 S * 5/2002 Yanagihara et al. D14/420
D467,349 S * 12/2002 Niedbala et al. D24/232
D472,022 S * 3/2003 Thau D32/1
6,542,293 B2 * 4/2003 Yahiro 359/383
D474,280 S * 5/2003 Niedbala et al. D24/232
D482,796 S * 11/2003 Oyama et al. D24/232
D484,734 S * 1/2004 Drobeck D7/309
D485,841 S * 1/2004 Fratianni et al. D14/420
D498,111 S * 11/2004 Lassota et al. D7/309
D511,869 S * 11/2005 Park D32/1
D533,555 S * 12/2006 Odhe et al. D14/420
D534,280 S * 12/2006 Gomm et al. D24/224
D549,827 S * 8/2007 Maeno et al. D24/169
D554,551 S * 11/2007 Ouchi et al. D10/81
D564,655 S * 3/2008 Koizumi et al. D24/108
7,438,706 B2 * 10/2008 Koizumi et al. 604/327
D581,106 S * 11/2008 Prat-Pfister D32/1
D600,062 S * 9/2009 Lavy D7/309
D602,729 S * 10/2009 Dahlstrom D7/309
D604,087 S * 11/2009 Lavy D7/309
D604,367 S * 11/2009 Thawley D20/8
7,722,584 B2 * 5/2010 Tanaka et al. 604/317
D617,666 S * 6/2010 Stowers et al. D10/81
D628,007 S * 11/2010 Di Bitonto et al. D7/310
8,072,665 B2 * 12/2011 Lee et al. 359/200.1
8,089,053 B1 * 1/2012 Finch 250/440.11
D655,824 S * 3/2012 Tsutsumida et al. D24/216
D657,067 S * 4/2012 Shibata D24/216
D657,068 S * 4/2012 Shibata D24/216
D670,402 S * 11/2012 Shibata D24/216
D671,227 S * 11/2012 Parker et al. D24/216
D685,600 S * 7/2013 White D7/309
8,490,540 B2 * 7/2013 Webster et al. 99/280
D688,804 S * 8/2013 Kim et al. D24/216
D691,732 S * 10/2013 Shibata et al. D24/216
D691,734 S * 10/2013 Steinman et al. D24/232
D693,480 S * 11/2013 Spiess et al. D24/232
D699,368 S * 2/2014 Quilter et al. D24/216
D700,607 S * 3/2014 Cederstrom D14/420
D701,320 S * 3/2014 Quilter et al. D24/216
D702,237 S * 4/2014 Oberpriller et al. D14/423
D711,011 S * 8/2014 Noda et al. D24/227
D711,883 S * 8/2014 Brunner et al. D14/420
D714,940 S * 10/2014 Kim D24/158
D715,958 S * 10/2014 Bossart et al. D24/216
D717,465 S * 11/2014 Muraoka D24/216
2003/0179445 A1 * 9/2003 Maenle et al. 359/368
2005/0252973 A1 * 11/2005 Itoh 235/462.01
2006/0120752 A1 * 6/2006 McVicker et al. 399/107
2008/0070318 A1 * 3/2008 Yamamoto et al. 436/164
2009/0086314 A1 * 4/2009 Namba et al. 359/383
2009/0269841 A1 * 10/2009 Wojciechowski et al. 435/325
2009/0325299 A1 * 12/2009 Hamada et al. 436/55
2010/0210019 A1 * 8/2010 Kurono et al. 436/8
2010/0226555 A1 * 9/2010 Sandstrom et al. 382/131
2012/0148031 A1 * 6/2012 Eaves 378/198
2012/0157160 A1 * 6/2012 Ozcan et al. 455/556.1
2012/0171078 A1 * 7/2012 Kaneko 422/65
2012/0262540 A1 * 10/2012 Rondinelli et al. 348/36
2013/0057927 A1 * 3/2013 Durant et al. 358/474
2014/0119994 A1 * 5/2014 Ariyoshi et al. 422/68.1
2014/0233705 A1 * 8/2014 Kaku et al. 378/117

* cited by examiner

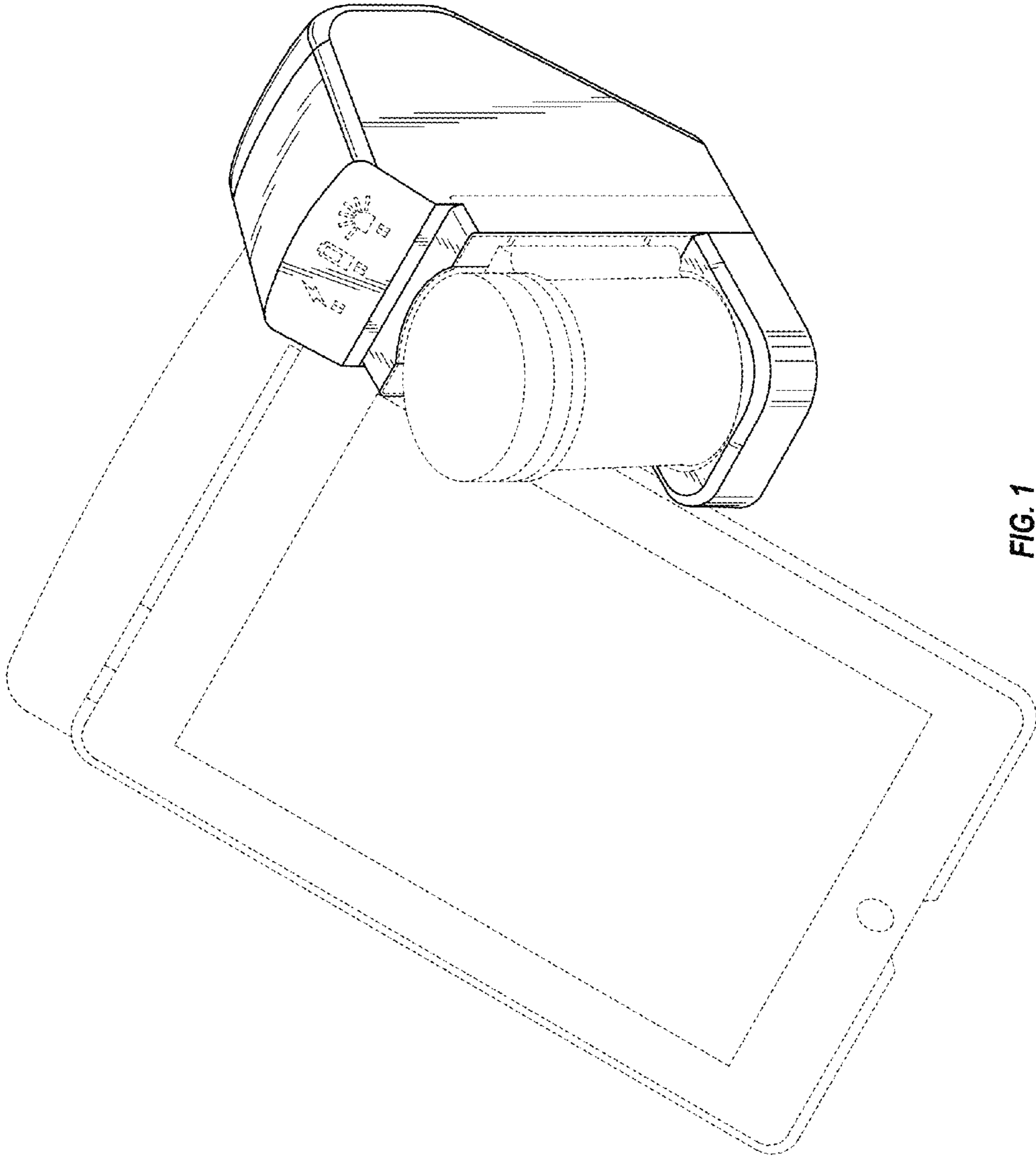


FIG. 1

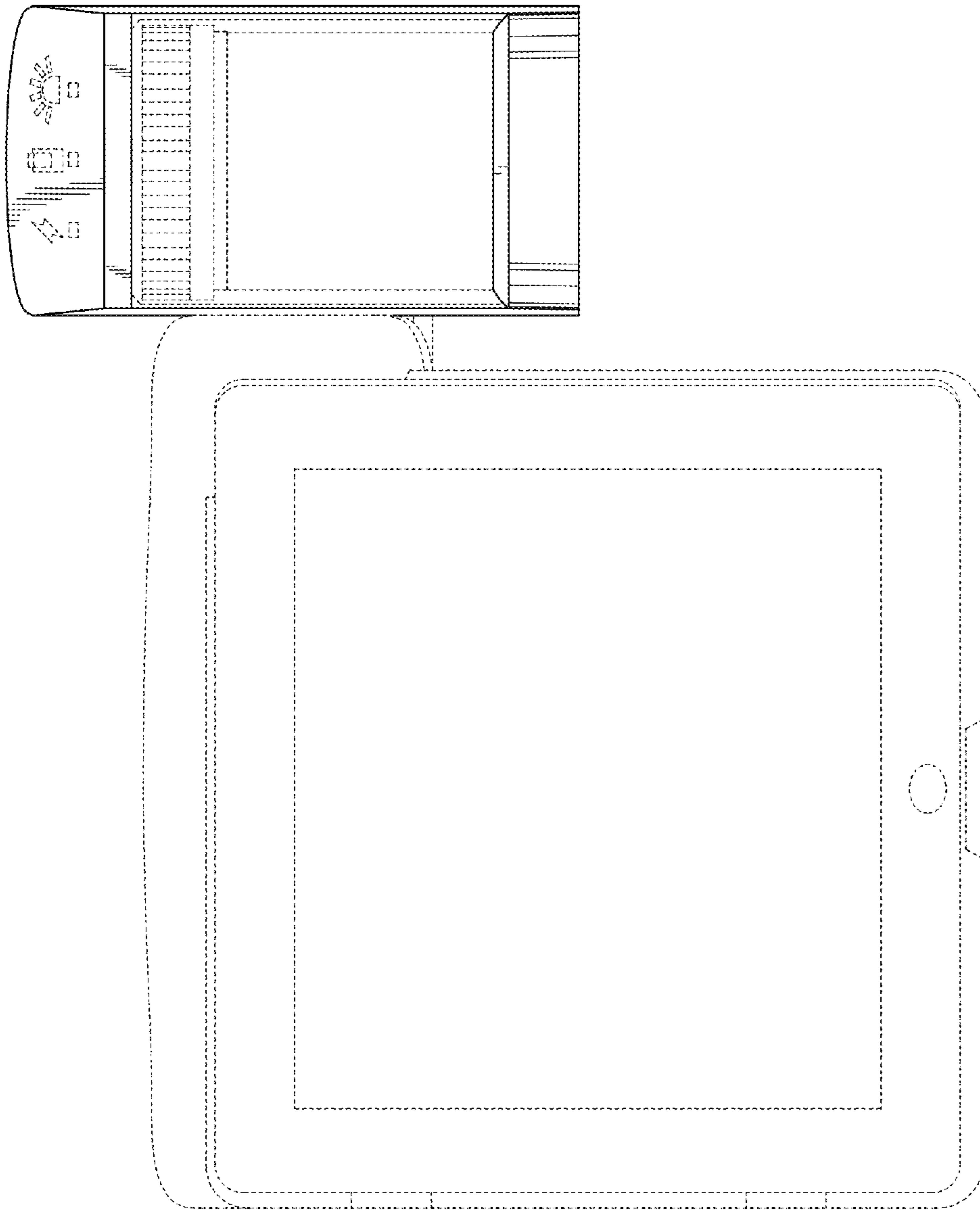


FIG. 2

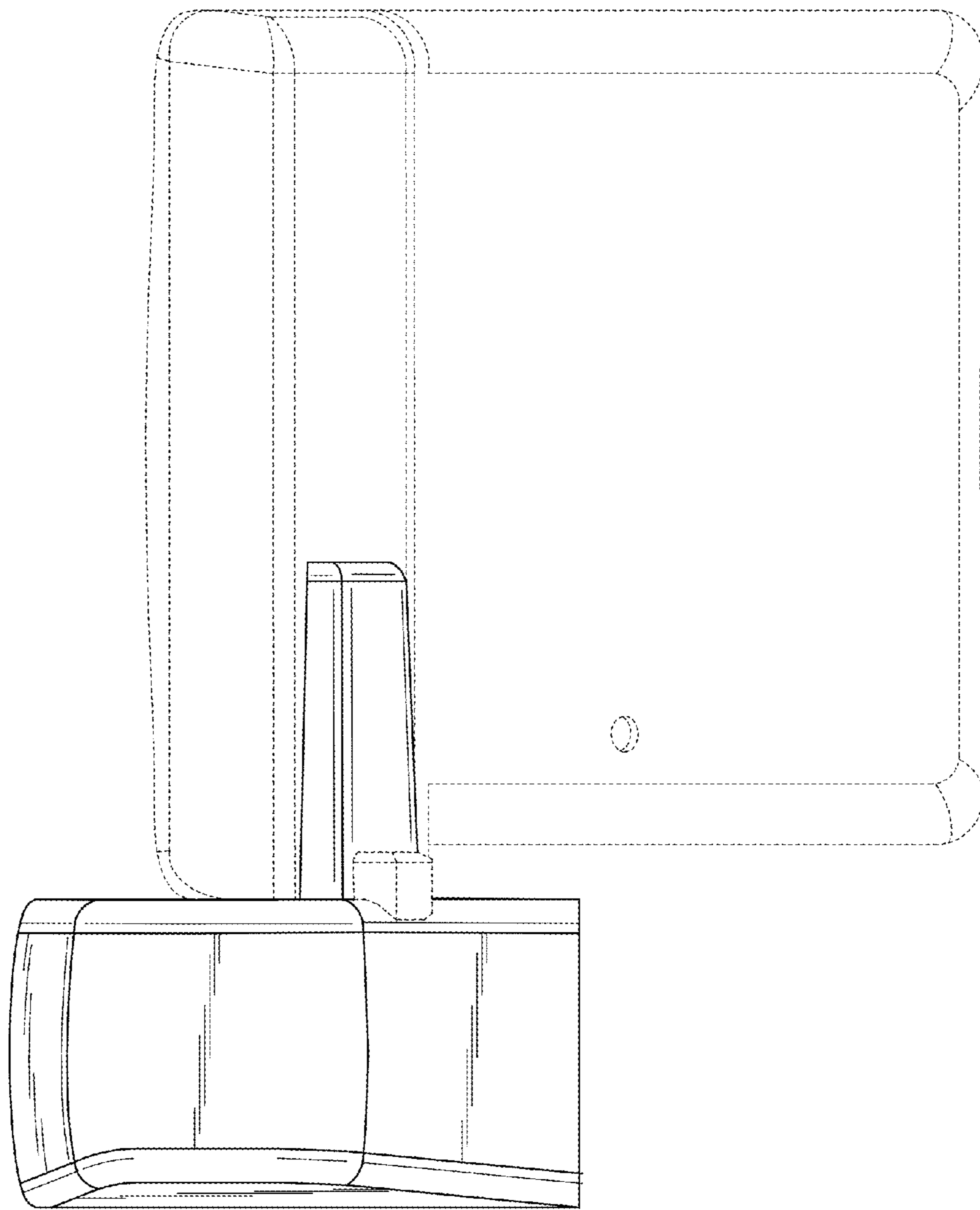


FIG. 3

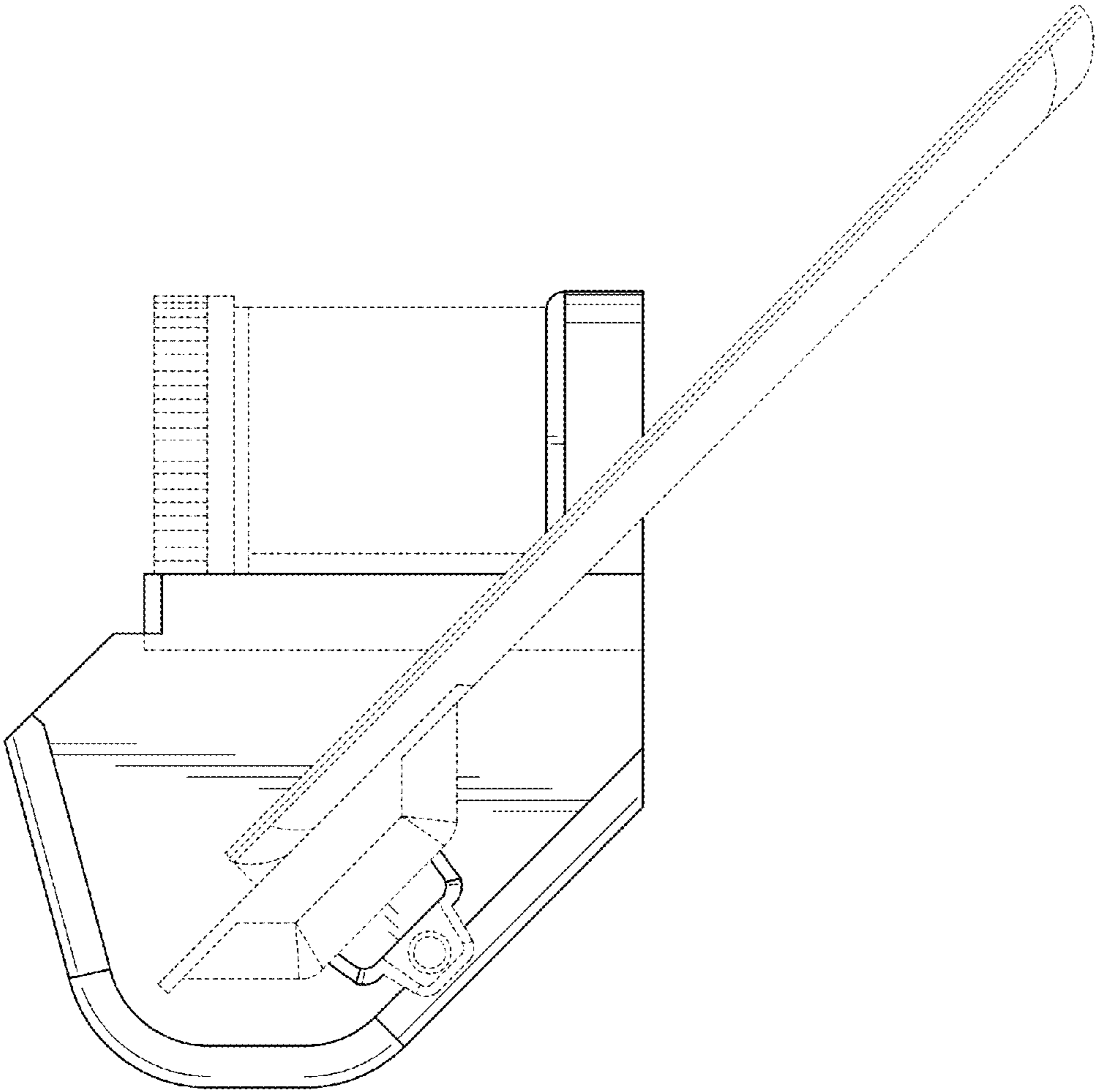


FIG. 4

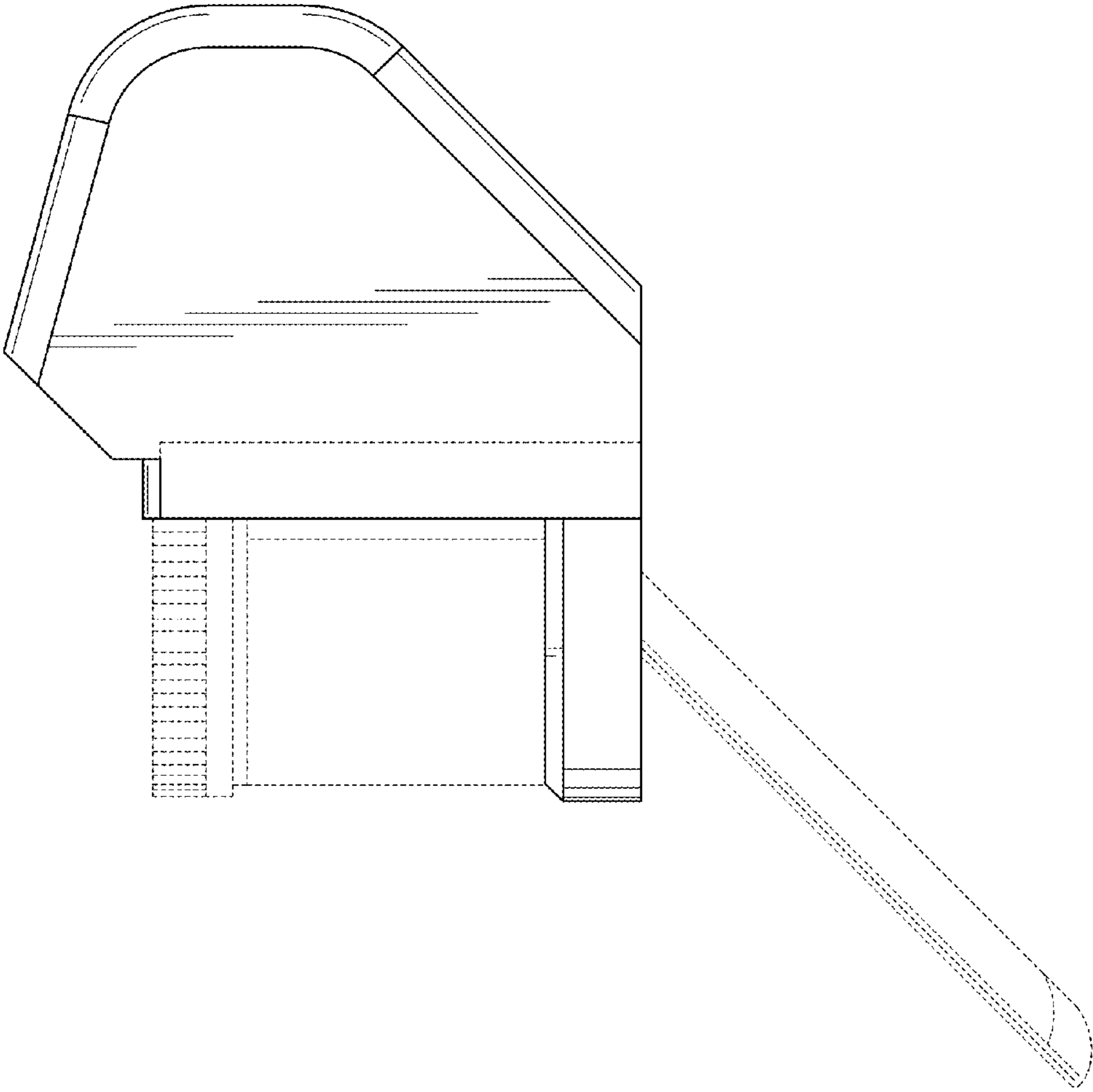


FIG. 5

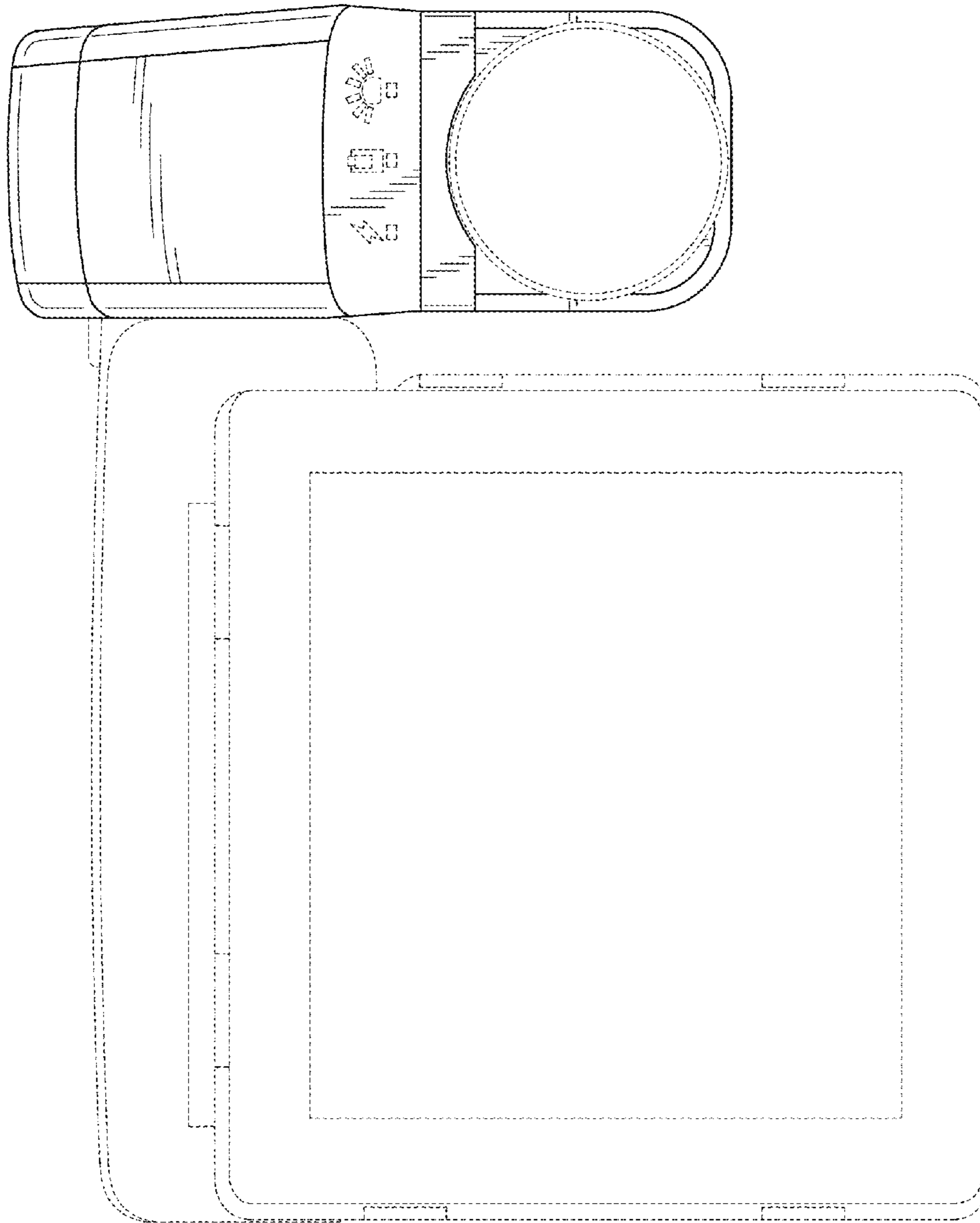


FIG. 6

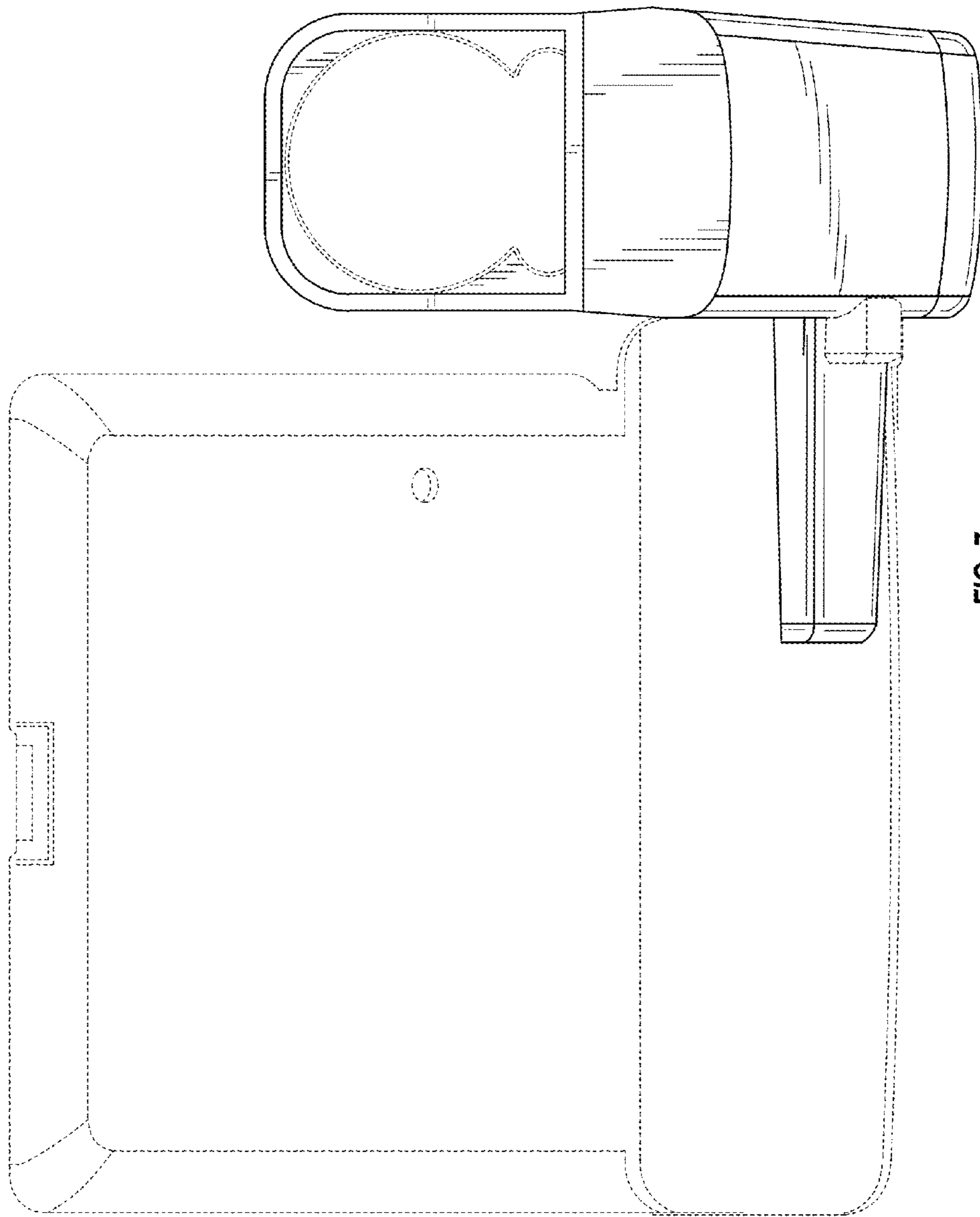


FIG. 7