

US00D727326S

(12) **United States Design Patent**
Sullivan et al.

(10) **Patent No.:** **US D727,326 S**
(45) **Date of Patent:** **** Apr. 21, 2015**

(54) **INFRARED SCANNING PORT ASSEMBLY**
(75) Inventors: **Brian Raleigh Sullivan**, Midlothian, VA (US); **Michael David VanStavern**, Richmond, VA (US); **Kristofor Lynn Redinger**, Mechanicsville, VA (US); **Christopher William Hackman**, Henrico, VA (US); **Richard F. Riczinger**, Hanover, VA (US); **Edward T. Doherty, Jr.**, Chesterfield, VA (US)

(73) Assignee: **Thomas & Betts International, LLC**, Wilmington, DE (US)

(**) Term: **14 Years**

(21) Appl. No.: **29/406,314**

(22) Filed: **Nov. 11, 2011**

(51) **LOC (10) Cl.** **14-02**

(52) **U.S. Cl.**
USPC **D14/420; D14/421**

(58) **Field of Classification Search**
USPC D14/420-425, 462-470, 389, 125, 399, D14/453; D18/50, 54, 55, 53, 36-39, 14, D18/18-21, 49, 52, 51, 54.4; 358/400, 401, 358/448, 474, 486-488, 496; 382/312, 317, 382/321, 315; 400/613, 613.1-613.4, 400/690.1-690.4, 691-694, 88, 175; 399/107, 379, 380, 211, 212; 235/462.11, 462.41, 472.01, 470, 235/462.43; 361/680, 681

See application file for complete search history.

(56) **References Cited**

U.S. PATENT DOCUMENTS

3,069,493 A * 12/1962 Martel 348/203
3,209,149 A * 9/1965 Tucker 250/316.1
3,315,075 A * 4/1967 Coulter et al. 250/347
3,374,354 A * 3/1968 Hood 250/338.1
3,430,045 A * 2/1969 Borg et al. 374/124
3,720,832 A * 3/1973 Apple 359/219.1

3,816,741 A * 6/1974 Macall 250/347
3,938,386 A * 2/1976 Comfort et al. 374/107
4,090,774 A * 5/1978 Zeifang 359/211.1
4,152,588 A * 5/1979 Klatt et al. 250/230
4,323,776 A * 4/1982 Bridges et al. 250/332
4,902,893 A * 2/1990 Burrer 250/334
4,914,296 A * 4/1990 Reinhold et al. 250/330
5,453,618 A * 9/1995 Sutton et al. 250/334
5,572,037 A * 11/1996 Liu et al. 250/483.1
5,675,149 A * 10/1997 Wood et al. 250/332
5,682,035 A * 10/1997 Gallagher et al. 250/332
5,685,626 A * 11/1997 Inaba 353/120
5,793,522 A * 8/1998 Brun 359/350
6,005,990 A * 12/1999 Barrett et al. 382/323
6,635,892 B2 * 10/2003 Kelly et al. 250/493.1
D485,841 S * 1/2004 Fratianni et al. D14/420
D493,794 S * 8/2004 Berentzen et al. D14/420
6,877,660 B2 * 4/2005 Wang et al. 235/454

(Continued)

Primary Examiner — Susan Moon Lee

(74) *Attorney, Agent, or Firm* — Bulter Snow LLP

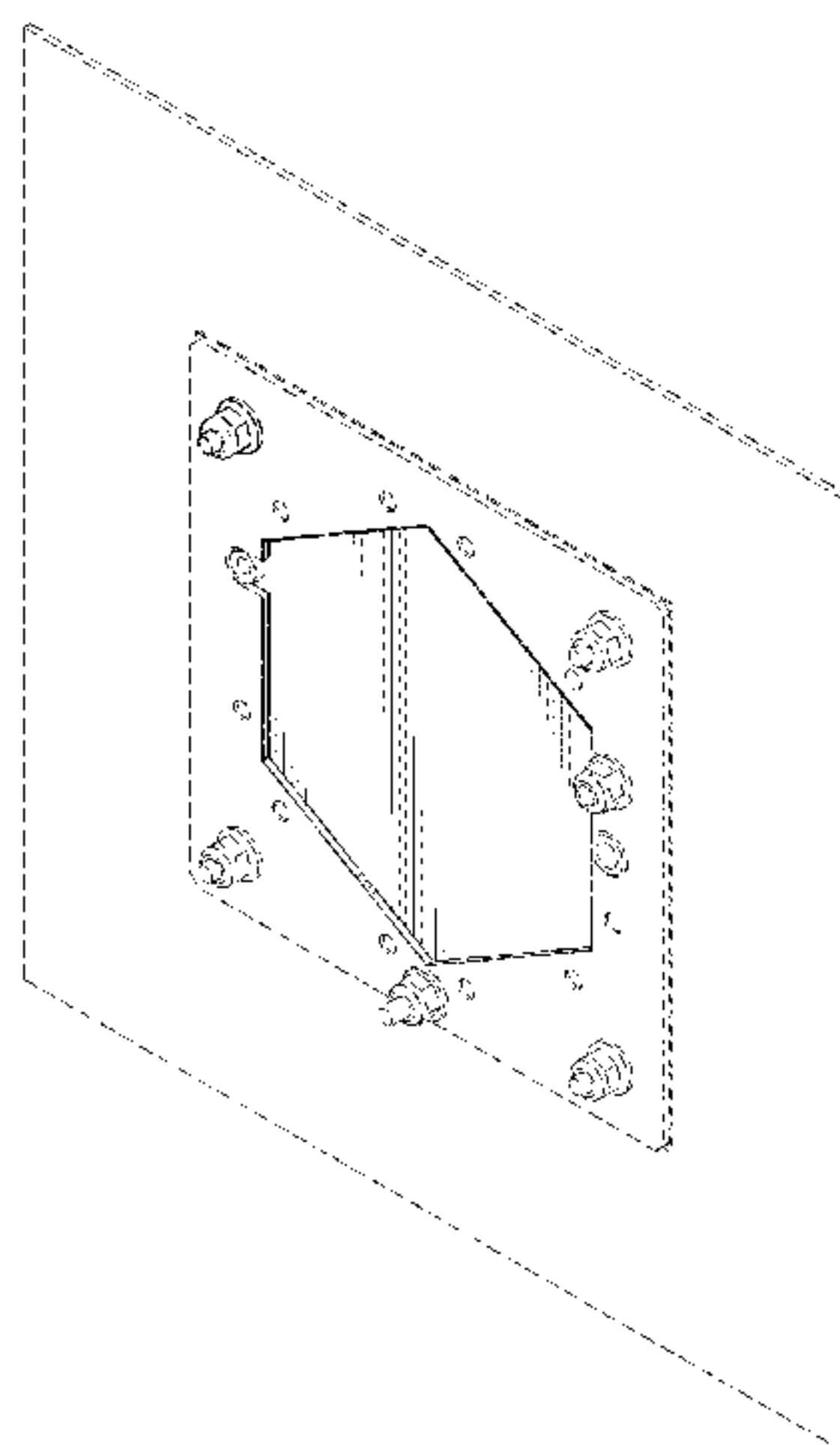
(57) **CLAIM**

We claim the ornamental design for an infrared scanning port assembly, as shown and described.

DESCRIPTION

FIG. 1 is a rear perspective view of an infrared scanning port assembly;
FIG. 2 is a rear elevation view thereof;
FIG. 3 is a side view thereof;
FIG. 4 is a front elevation view thereof;
FIG. 5 is an opposite side view of the infrared scanning port assembly to the side disclosed in FIG. 3;
FIG. 6 is a top plan view thereof;
FIG. 7 is a bottom view thereof;
FIG. 8 is a front elevation view of the infrared scanning port assembly in which the cover is removed; and,
FIG. 9 is an exploded front perspective view of the infrared scanning port assembly.
Broken lines and unshaded portions entirely contained within broken line are not claimed.

1 Claim, 6 Drawing Sheets



(56)

References Cited

U.S. PATENT DOCUMENTS

D510,090	S *	9/2005	Obara et al.	D14/420	7,570,399	B2 *	8/2009	Abundis et al.	358/497
7,079,334	B2 *	7/2006	Holliday et al.	359/894	2002/0140922	A1 *	10/2002	Arai	355/75
D525,975	S *	8/2006	Khovaylo	D14/420	2003/0030748	A1 *	2/2003	Jung	348/373
7,149,010	B2 *	12/2006	Tecu et al.	358/487	2008/0304542	A1 *	12/2008	Danley	374/31
7,286,309	B2 *	10/2007	Holliday et al.	359/894	2010/0020389	A1 *	1/2010	Schmidt et al.	359/350
7,359,095	B2 *	4/2008	Qian	358/487	2012/0038778	A1 *	2/2012	Klager et al.	348/166
					2012/0261578	A1 *	10/2012	Scott et al.	250/339.07
					2013/0117995	A1 *	5/2013	Sullivan et al.	29/464

* cited by examiner

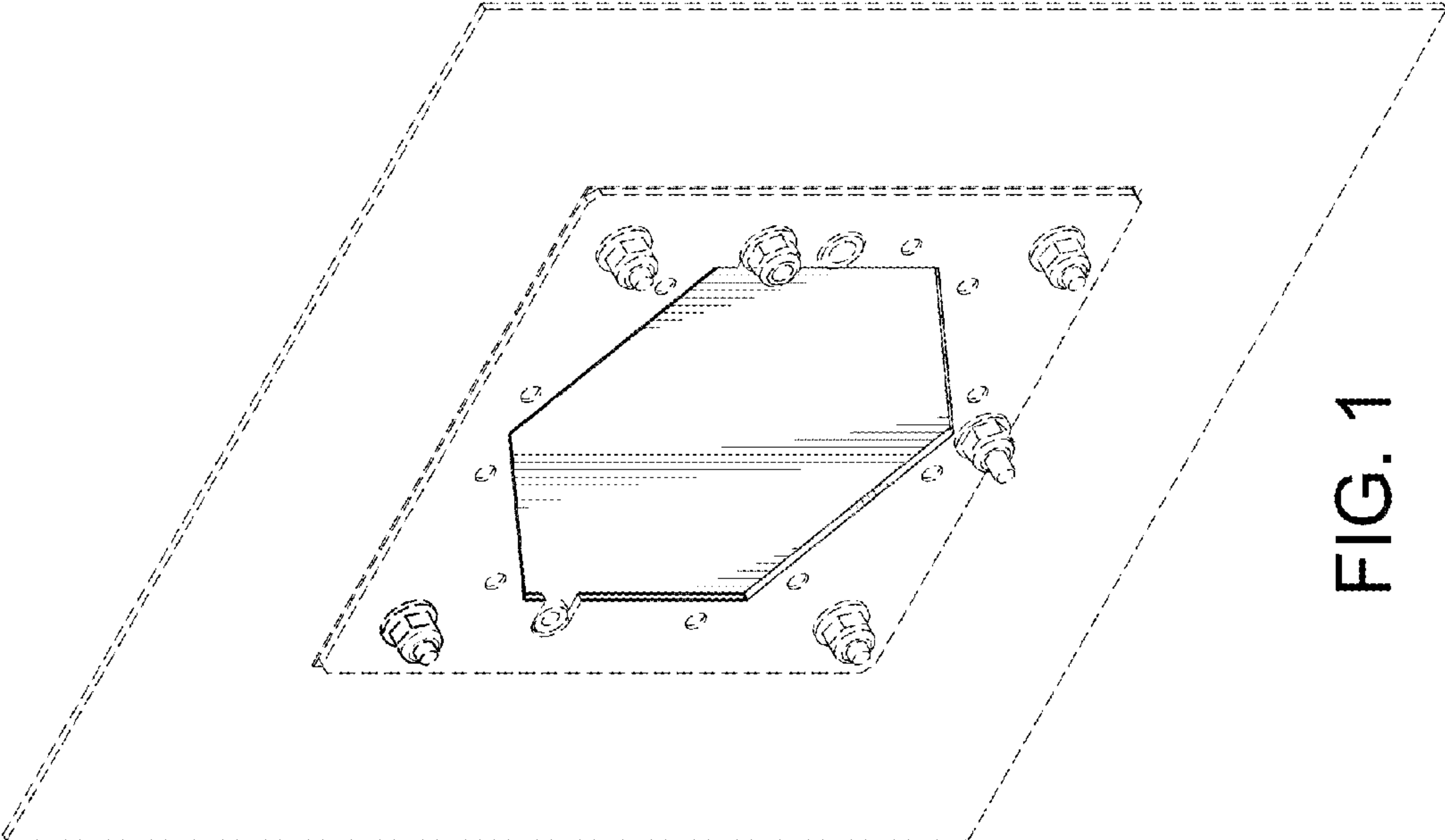


FIG. 1

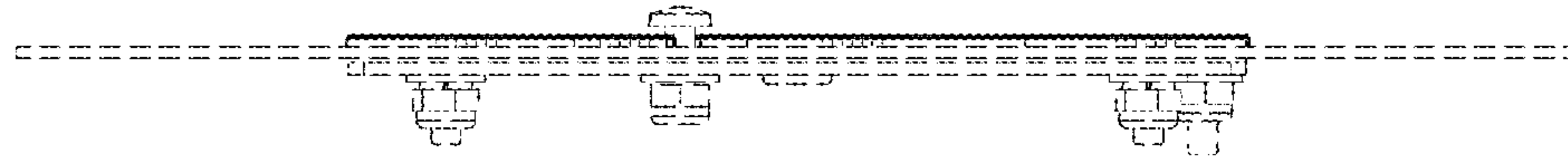


FIG. 3

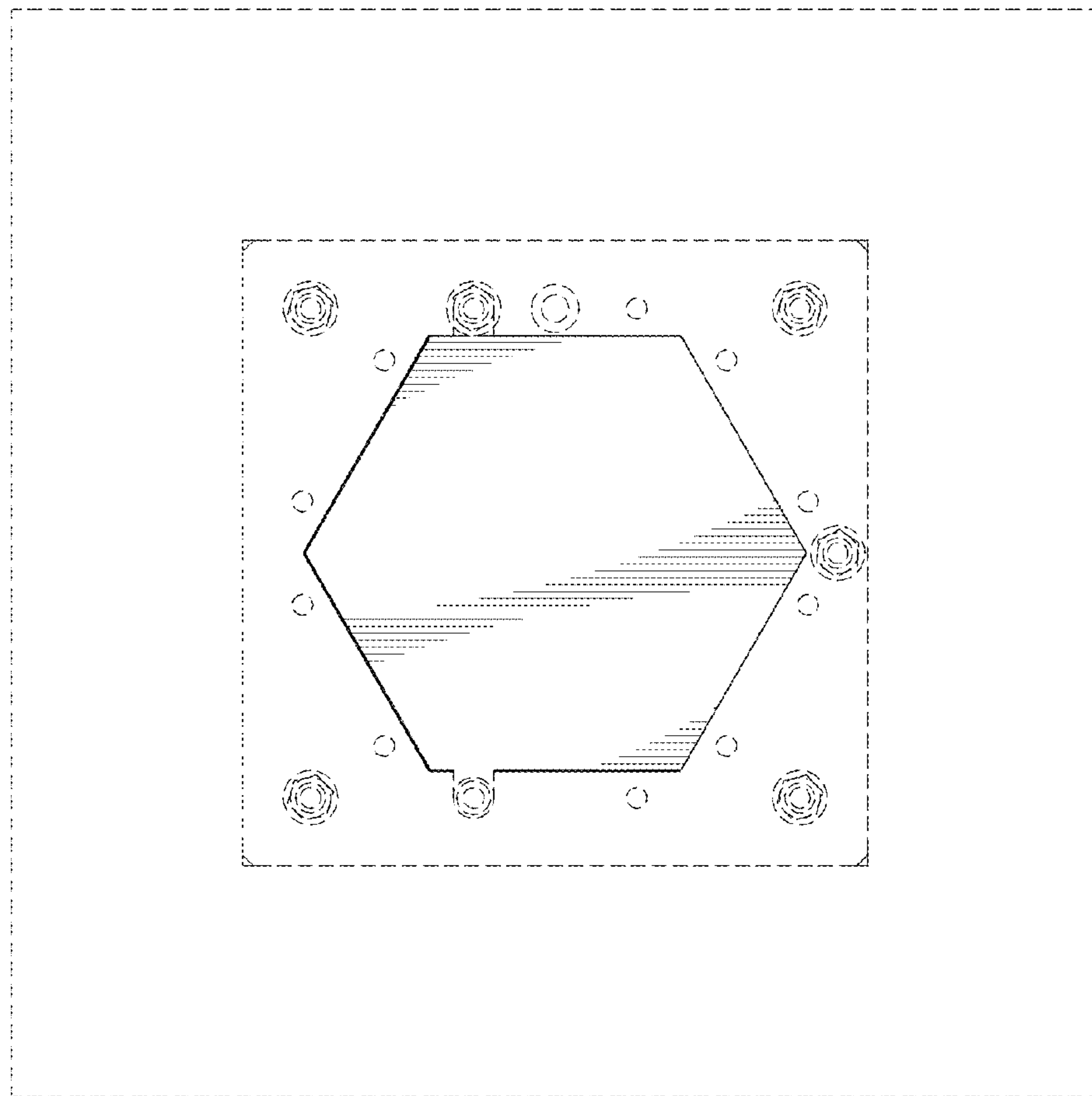


FIG. 2

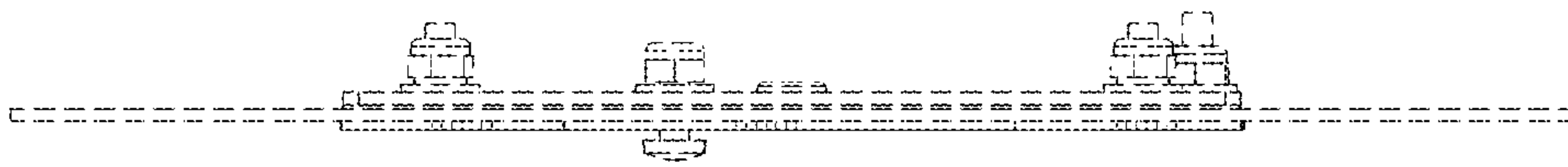


FIG. 5

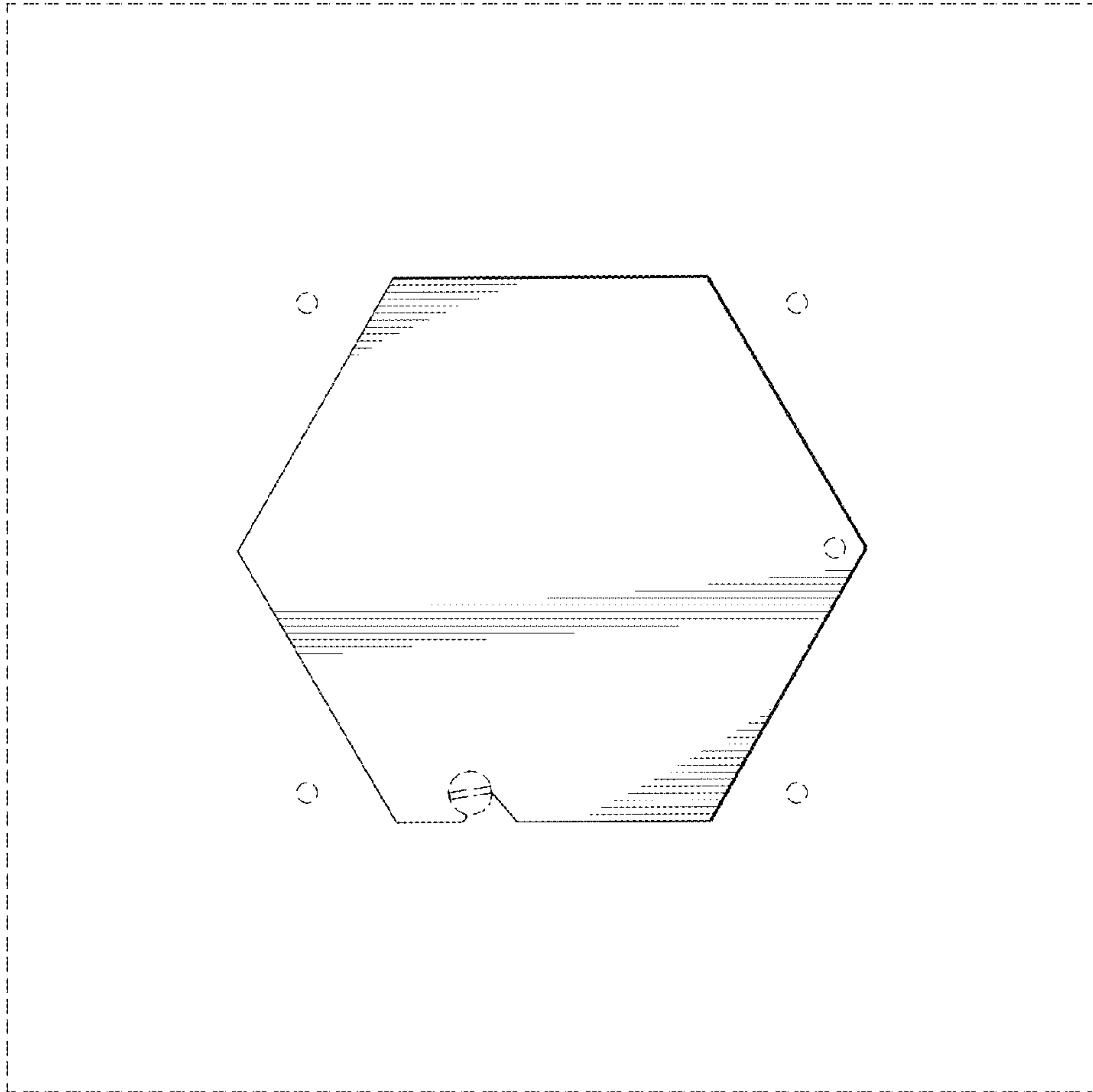


FIG. 4

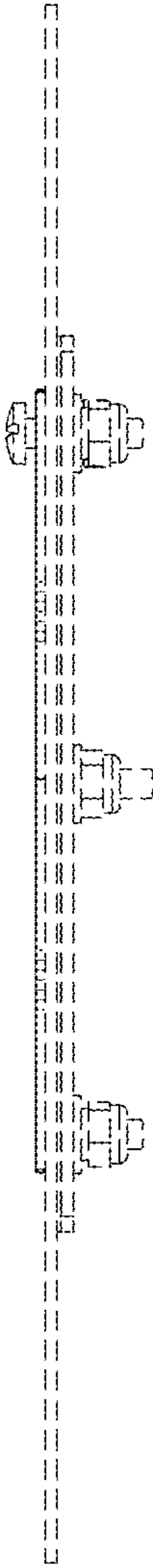


FIG. 6

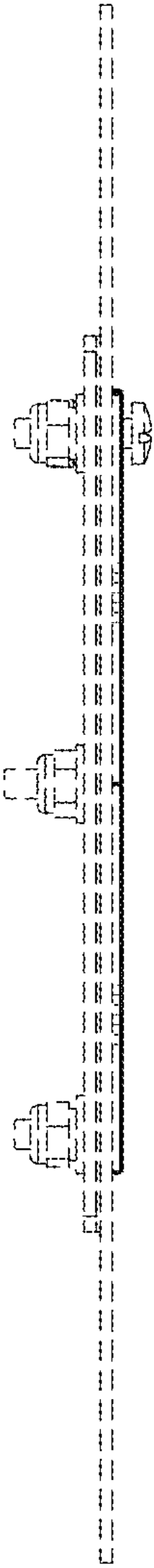


FIG. 7

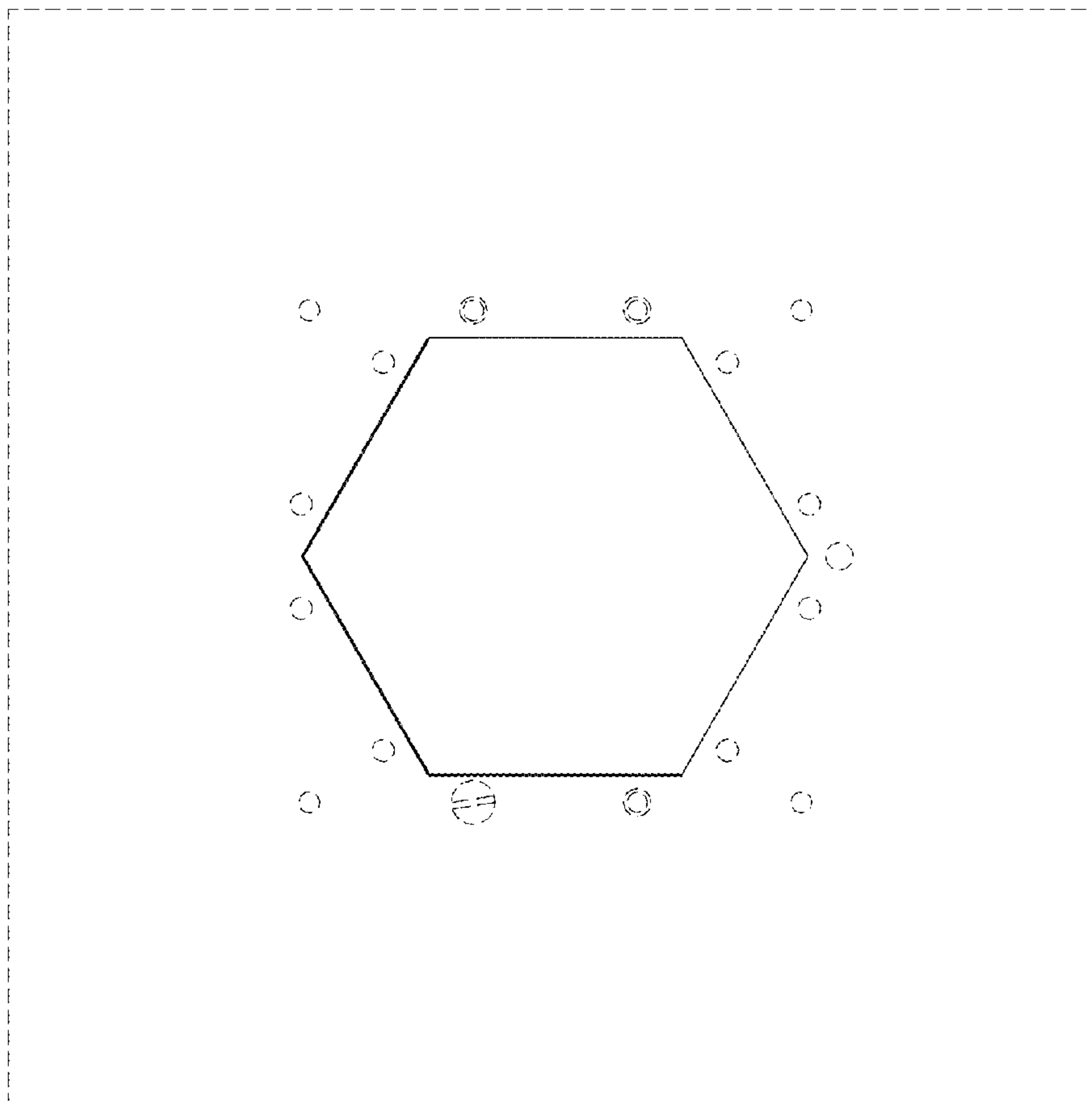


FIG. 8

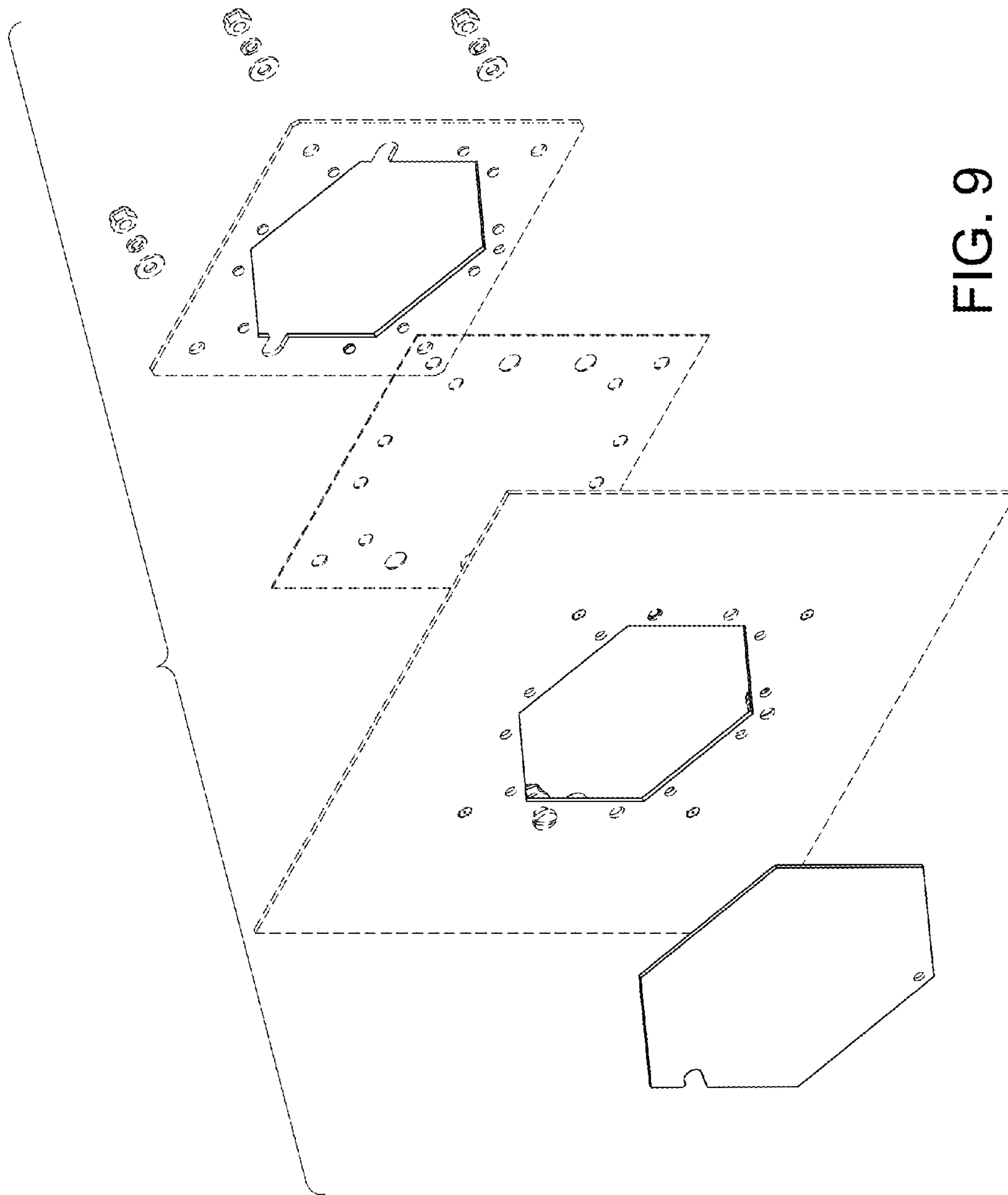


FIG. 9